

Class 150 Bronze Globe Valves

Union Bonnet • Integral Seat • Renewable Seat Disc

150 PSI/10.3 bar saturated steam to 366°F/185°C
300 PSI/20.7 bar non-shock cold working pressure

CONFORMS TO MSS SP-80

MATERIAL LIST

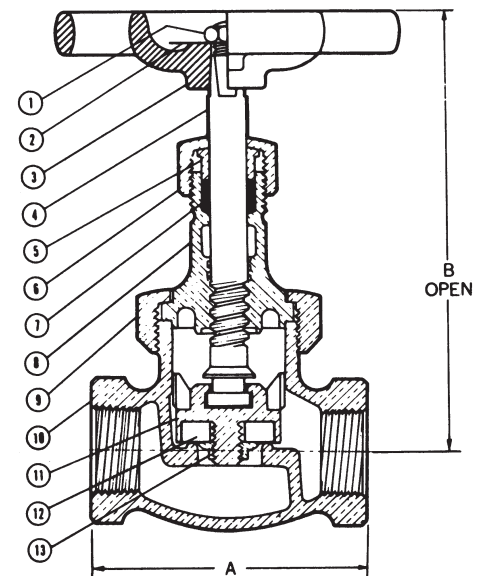
PART	SPECIFICATION
1. Handwheel Nut	300 Series Stainless Steel
2. Identification Plate	Aluminum
3. Handwheel	Malleable Iron ASTM A 47
4. Stem	Silicon Bronze ASTM B 371 Alloy C69400/C69430
5. Packing Gland	Bronze ASTM B 62 or ASTM B124 Brass ASTM B16 C36000
6. Packing Nut	Bronze ASTM B 62 or ASTM B124 Alloy C37700 or Brass ASTM C36000
7. Packing	Aramid Fibers with Graphite
8. Bonnet	Bronze ASTM B 62
9. Union Nut	Bronze ASTM B 62
10. Body	Bronze ASTM B 62
11. Disc Holder	Bronze ASTM B 62
12. Disc	Steam (PTFE) (Y)
13. Disc Nut	Bronze ASTM B 62/ASTM B 98 Alloy C65100 w/SS Washer



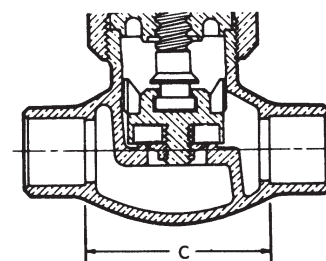
T-235-Y
Threaded



S-235-Y
Solder



T-235-Y
NPT x NPT



S-235-Y
C x C

DIMENSIONS—WEIGHTS—QUANTITIES

Size	Dimensions						T-235-Y		S-235-Y		Master Ctn. Qty.		
	In.	mm.	In.	mm.	In.	mm.	In.	mm.	Lbs.	Kg.	Lbs.	Kg.	T-235-Y
† 1/8	6	2.31	59	3.88	99	2.00	51	1.21	0.55	1.06	0.48	50	50
† 1/4	8	2.31	59	3.88	99	1.88	48	1.19	0.54	1.05	0.48	50	50
† 3/8	10	2.38	60	3.88	99	1.75	45	1.17	0.53	1.03	0.47	50	50
1/2	15	2.69	68	4.63	118	1.88	48	1.60	0.73	1.38	0.62	40	50
3/4	20	3.19	81	5.38	137	2.31	59	2.34	1.06	2.21	1.00	20	20
1	25	3.75	95	6.00	153	2.88	73	3.56	1.61	3.35	1.52	10	20
1 1/4	32	4.25	108	6.56	167	3.13	79	5.76	2.61	4.93	2.23	10	10
1 1/2	40	4.75	121	7.38	187	3.75	95	7.59	3.44	7.17	3.25	6	10
2	50	5.75	146	8.31	211	4.50	114	12.56	5.70	11.02	5.00	4	4
2 1/2	65	6.63	168	10.19	259	5.38	137	17.44	7.91	17.16	7.79	2	2
3	80	7.75	197	11.13	283	6.50	165	23.87	10.83	22.82	10.35	2	2

† No packing gland, packing only in these sizes.

FREEZING WEATHER PRECAUTION: Subsequent to testing a piping system, valves should be left in an open position to allow complete drainage.

◆ For detailed Operating Pressure, refer to Pressure Temperature Chart on page 114.

WARNING: This product can expose you to chemicals including lead, which is known to the State of California to cause cancer and birth defects or other reproductive harm. For more information go to www.P65Warnings.ca.gov.

Visit our website for the most current information.