

Class 200 Bronze Globe Valves

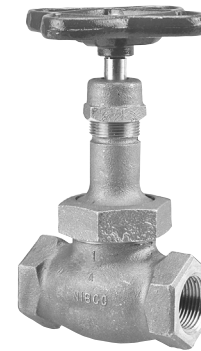
Union Bonnet • Replaceable Seat and Full Plug Disc

200 PSI/13.8 bar saturated steam to 391° F/201° C
400 PSI/27.6 bar non-shock cold working pressure

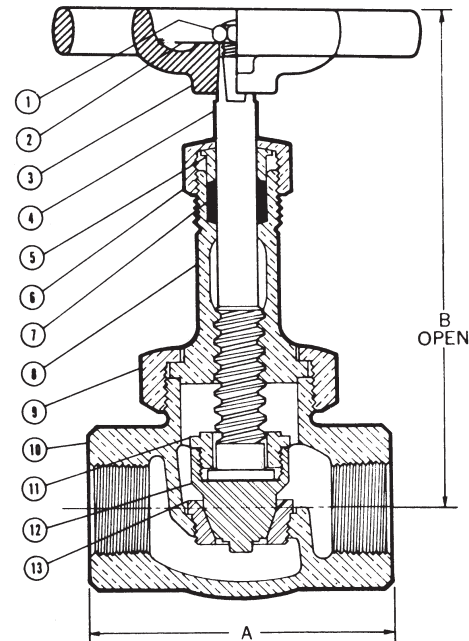
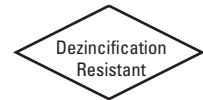
CONFORMS TO MSS SP-80

MATERIAL LIST

| PART | SPECIFICATION |
|-------------------------|--------------------------------------------------------------------------|
| 1. Handwheel Nut | 300 Series Stainless Steel |
| 2. Identification Plate | Aluminum |
| 3. Handwheel | Malleable Iron ASTM A 47 |
| 4. Stem | Silicon Bronze ASTM B 371 Alloy C69400/C69430 |
| 5. Packing Gland | Bronze ASTM B 62 or ASTM B124 Brass ASTM B16 C36000 |
| 6. Packing Nut | Bronze ASTM B 62 or ASTM B584 Alloy C37700 or Brass ASTM Alloy C36000 |
| 7. Packing | Aramid Fibers with Graphite |
| 8. Bonnet | Bronze ASTM B 61 |
| 9. Union Nut | Bronze ASTM B 61 |
| 10. Body | Bronze ASTM B 61 |
| 11. Disc Holder Nut | Bronze ASTM B 61 |
| 12. Plug Disc | S42000 Stainless Steel ASTM A 276 Hardened |
| 13. Plug Seat Ring | S42000 Stainless Steel ASTM A276 Hardened |



T-256-AP
Threaded



T-256-AP
NPT x NPT
Full Plug

DIMENSIONS—WEIGHTS—QUANTITIES

| Size | Dimensions | | | | Weight | | Master Ctn. Qty. |
|----------|------------|-----|--------|-----|--------|-------|------------------|
| | A | | B | | Lbs. | Kg. | |
| In. mm. | In. | mm. | In. | mm. | | | |
| 1/4 8 | 2.63 | 67 | 4.44 | 113 | 1.37 | 0.62 | 50 |
| 3/8 10 | 2.63 | 67 | 4.44 | 113 | 1.33 | 0.60 | 50 |
| 1/2 15 | 2.69 | 68 | 4.88 | 124 | 1.83 | 0.83 | 30 |
| 3/4 20 | 3.38 | 86 | 5.75 | 146 | 2.76 | 1.25 | 20 |
| 1 25 | 4.00 | 102 | 7.00 | 178 | 4.71 | 2.13 | 10 |
| 1 1/4 32 | 4.63 | 118 | 7.63 | 194 | 6.61 | 3.00 | 10 |
| 1 1/2 40 | 5.00 | 127 | 7.69 | 195 | 8.01 | 3.63 | 6 |
| 2 50 | 6.00 | 153 | 9.25 | 235 | 12.89 | 5.85 | 4 |
| 2 1/2 65 | 6.63 | 168 | 10.19 | 259 | 17.74 | 8.04 | 2 |
| 3 80 | 7.75 | 197 | 11.125 | 283 | 24.55 | 11.13 | 2 |

† No packing gland, packing only in these sizes.

FREEZING WEATHER PRECAUTION: Subsequent to testing a piping system, valves should be left in an open position to allow complete drainage.

◆ For detailed Operating Pressure, refer to Pressure Temperature Chart on page 114.

WARNING: This product can expose you to chemicals including lead, which is known to the State of California to cause cancer and birth defects or other reproductive harm. For more information go to www.P65Warnings.ca.gov.

Visit our website for the most current information.