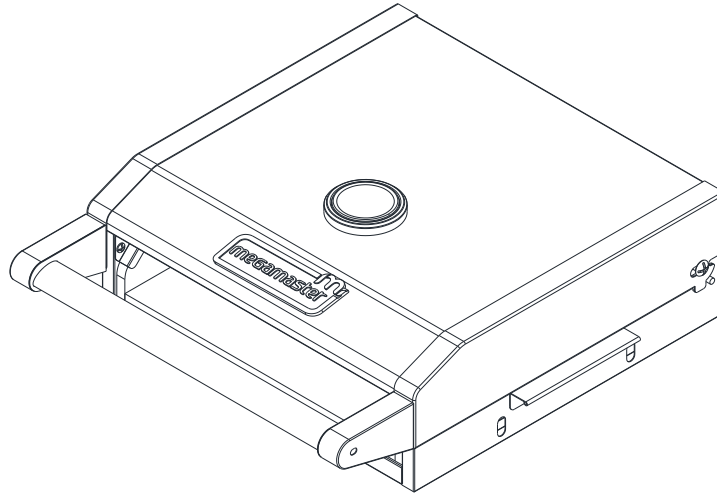


megamaster



BakerBox multi-purpose pizza oven

ASSEMBLY & OPERATING INSTRUCTIONS

Important: Read these instructions for use carefully so as to familiarize yourself with the appliance before putting it to your gas or charcoal grill. Keep these instructions for future reference

www.megamaster.co.za

Manufactured in China · Distributed by Mega Group · PO Box 15, Woodlands, 0027, South Africa · Tel: +27(0)12 802 1515

 **WARNING**

For outdoor use only.

 **WARNING**

This BakerBox is not intended to be installed in or on recreational vehicles and/or boats.

 **WARNING**

To reduce the risk of fire, burn hazard or other injury, read the manual carefully and completely before using your BakerBox.

Table of Contents

Safety Instructions	2-3	Installation Final Check List	9
Package Content List	4	Operating Instructions	10-11
Hardware Contents	4	Care and Maintenance	11
Explode View	5	Trouble Shooting	12
Part List	6	Warranty Information	13
Assembly Instructions	7-9		

Safety Instructions

Please read the following instructions carefully before attempting to assemble, operate or install the product. Failure to follow these instructions may result in serious bodily injury and/or property damage. If you have questions regarding the product please call customer service at (+27) 12 802 1515.

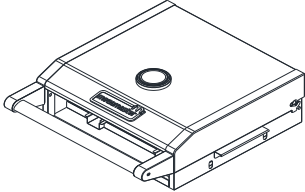
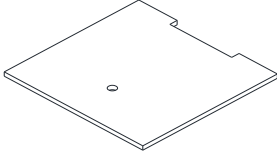
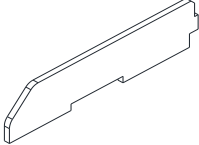
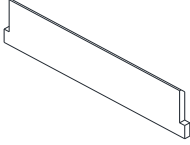
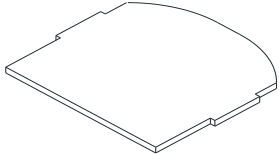
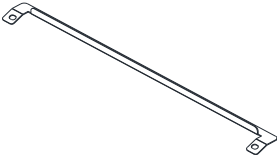
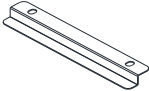
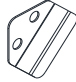
WARNING

This outdoor cooking appliance is not intended to be installed in or on boats and other recreational vehicles.


Safety Instructions

1. Only use your BakerBox on a well ventilated outdoor grill with the lid fully opened at all times.
2. Always wear heat resistant oven mitts or gloves for outdoor cooking when handling the BakerBox.
3. Do not touch the BakerBox while the BakerBox is in operation or until the BakerBox has cooled down after use.
4. Do not turn on or preheat BBQ before placing the BakerBox on the grill.
5. Children should not be left alone or unattended in an area where the BakerBox is being used. Do not allow them to sit, stand or play in or around the BakerBox while the grill is on or coals are hot.
6. Use only appropriate bake-ware or utensils while baking and cleaning your BakerBox. Do not use plastic, silicone or glass.
7. Stones are fragile and can break if dropped. The BakerBox becomes extremely hot, do not touch the stones or any other part of the BakerBox while it is in use.
8. To clean stones, heat the BakerBox for 15 minutes after food is cooked and scrape off any remaining residue. Do not use any cleaning agents or other liquids to clean the stones.
9. Do not remove BakerBox from grill until it is completely cool. Allow at least 90 minutes after turning off grill to remove. If using a charcoal grill additional cooling time may be required. Do not use water or other solvents to aid in cooling the BakerBox after use.
10. Do not place gasoline, alcohol, wood products, charcoal or any other combustible material(unless Megamaster approved)in the baking chamber.
11. The BakerBox must never be used indoors or for heating purposes.
12. Do not repair or replace any part of the BakerBox unless specifically recommended in this manual. All other service should be referred to a qualified technician. This BakerBox is not intended to be installed in or on recreational vehicles or boats.
13. Turn off grill controls and certain the BakerBox is cook before using any type of aerosol cleaner on or around the BakerBox. Some cleaners produce toxic fumes or can ignite if applied to a hot surface.

Package Content List

<p>1.Main lid and fire box assembly--- 1piece</p> 	<p>2.Top stone ---1 piece</p> 
<p>3.Side stone ---2 pieces</p> 	<p>4.Rear stone ---1 piece</p> 
<p>5.Bottom stone---1 piece</p> 	<p>6.Top stone support bracket, front ---1piece</p> 
<p>7.Top stone support bracket, rear ---1piece</p> 	<p>8. Stone support bracket, side ---2 pieces</p> 

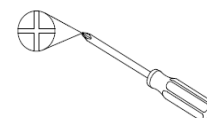
Hardware Contents

REF#	Description	Specification	QTY
A	<p>Screw</p> 	W5/32" -32 x2/5"mm	8PCS

Before beginning assembly, make sure all parts are present. Compare parts with package contents list and diagram. If any part is missing or damaged, do not attempt to assemble the product. Contact customer service for replacement parts.

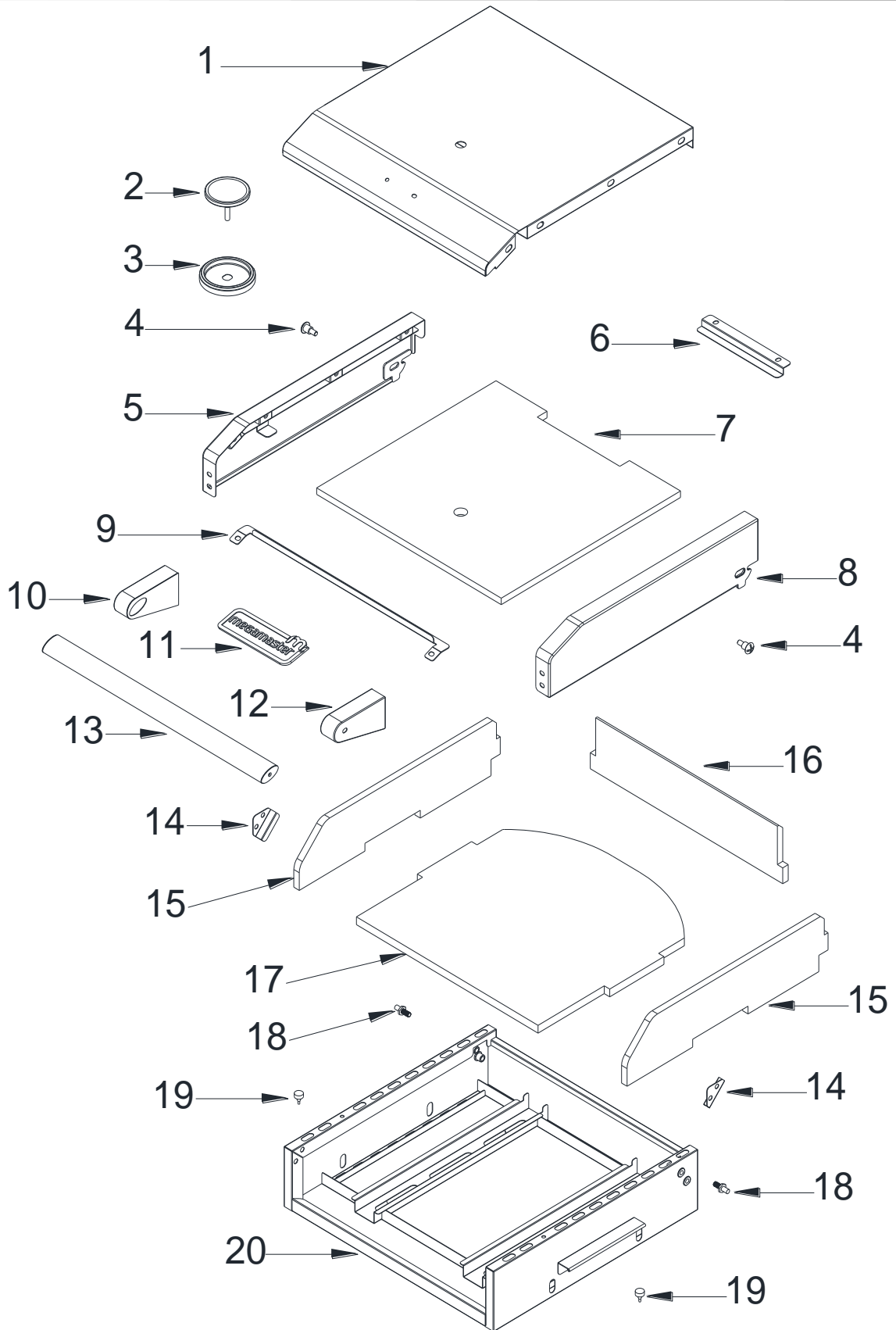
●Estimated Assembly Time: 10 minutes.

●Tools for required for assembly: Philips Screwdriver(not included)



Philips
Screwdriver

Exploded View



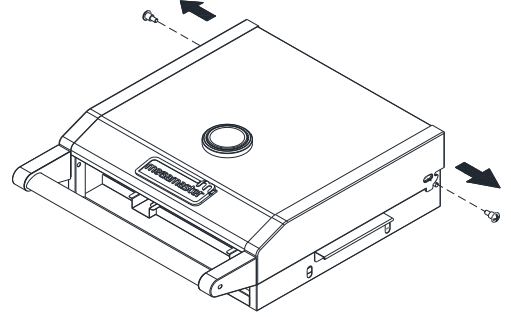
Part List

No.	Part(Description)	Warranty coverage(year)	QTY
1	Main lid	1	1
2	Temperature gauge	1	1
3	Temperature gauge seat	1	1
4	Main lid screw	1	2
5	Main lid left panel	1	1
6	Top stone support bracket,rear	1	1
7	Top stone	1	1
8	Main lid right panel	1	1
9	Top stone support bracket,front	1	1
10	Main lid handle seat,left	1	1
11	Logo	1	1
12	Main lid hand seat,right	1	1
13	Main lid handle	1	1
14	Stone support bracket,side	1	2
15	Side stone	1	2
16	Rear stone	1	1
17	Bottom stone	1	1
18	Main lid block screw	1	2
19	Hood buffer	1	2
20	Fire box assembly	1	1

Assembly Instructions

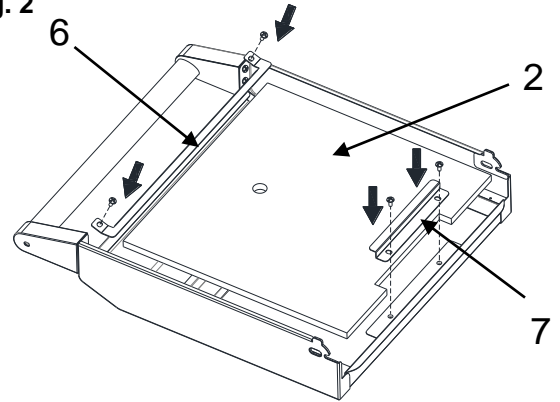
1. Loosen and remove the screws which were pre-assembled on the lid rear corner, so firebox and main lid are separate .As shown in Fig.1

Fig. 1



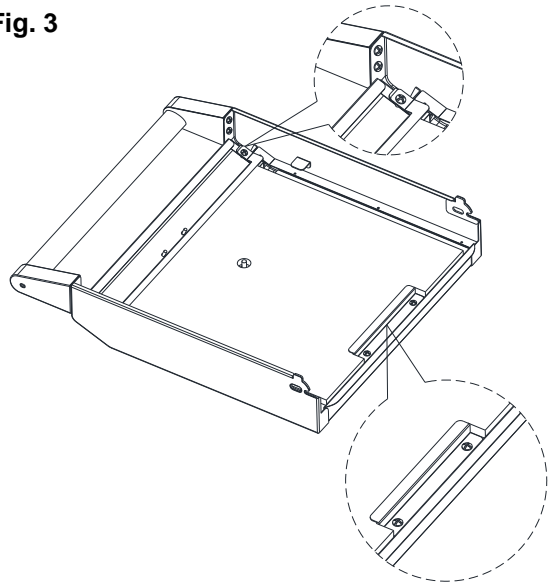
2. Use 4 pieces screws(A), top stone front support bracket (6), top stone rear support bracket (7) to attach the top stone(2) to main lid inside . As shown in Fig.2

Fig. 2



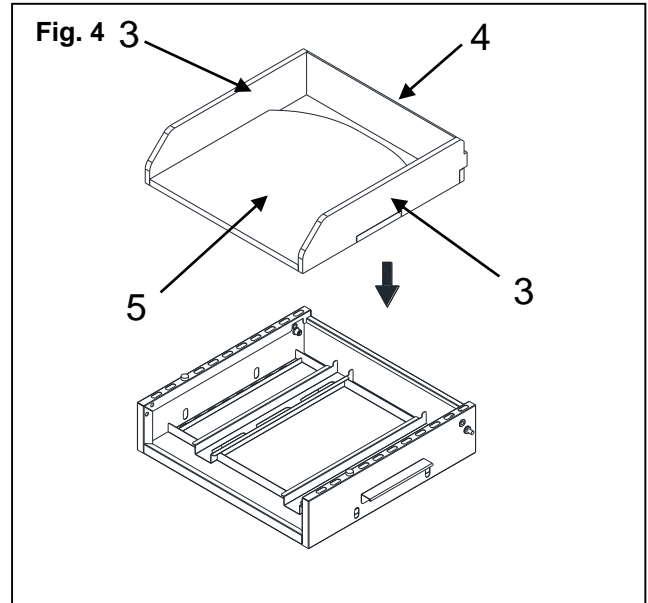
3. Tight all the screws(A). As shown in Fig.3

Fig. 3

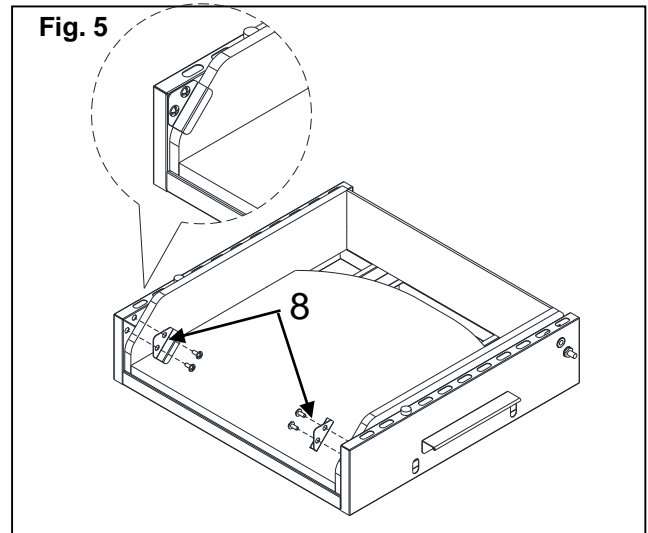


Assembly Instructions

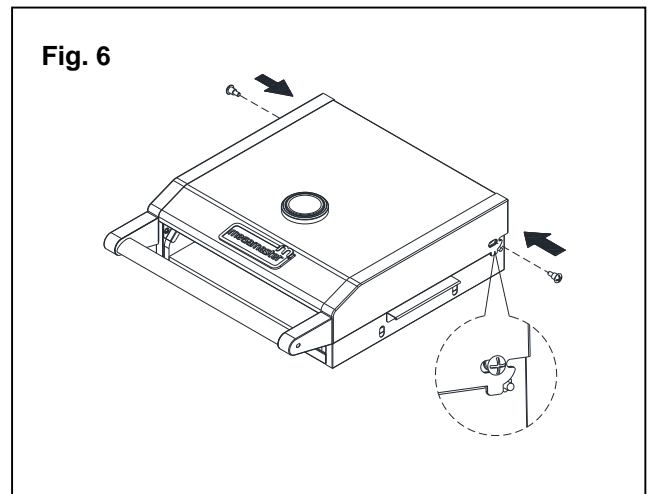
4. Put bottom stone(5),side stones(3),rear stone(4) inside firebox assembly. As shown in Fig.4



5. Attach 2 pieces stone support brackets, side(8) to fire box side panel left and right corner, then tight the 4 screws(A).As shown in Fig.5

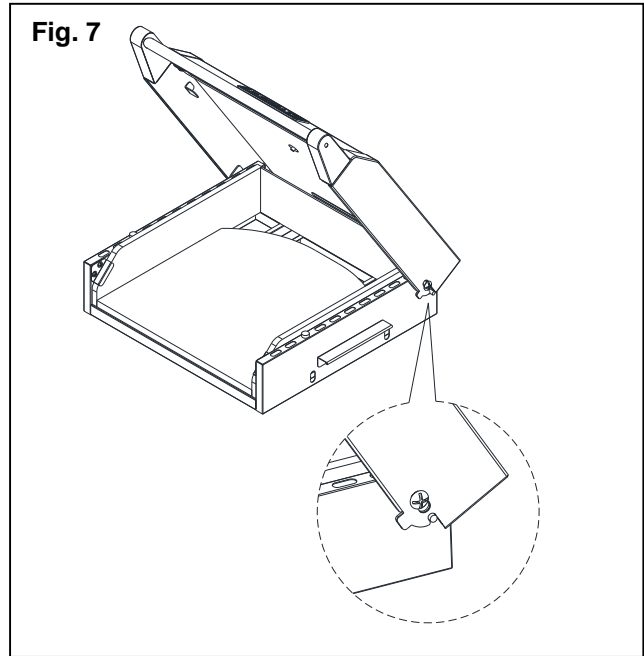


6. Assemble back the 2 screws which were removed in step1.As shown in Fig.6



Assembly Instructions

Note: The main lid block screw can hold the main lid open as show in Fig.7



Installation Final Check List

- 1.Stones are tight and steady.
- 2.The main lid can be open as above Fig.7 shows. .

Your BakerBox is ready to use!

Operating Instructions

⚠ Warning: Please read the following instructions carefully before attempt to assemble, operate or install the product. The BakerBox becomes extremely hot and can cause burning. Failure to comply with these instructions may result in serious bodily injury.

Note: Remove all packaging, including straps, before using the BakerBox.

How to use your BakerBox

1. Open the main lid of gas grill or charcoal grill that will be used with the BakerBox.
2. Place BakerBox on the cooking grid, leave a 0.5”(1.2cm) space between the front edge of the BakerBox and the front edge of the cooking grid, at least 1”(2.5cm) of space between both side edges of the BakerBox and both side edges of the cooking grid.
3. With the gas grill or charcoal grill main lid completely open and proper spaces surrounding the BakerBox, light your gas grill or charcoal grill as instructed by the gas grill manufacturer.
4. Set all burners to high and preheat the BakerBox for 15 minutes.
5. Once the temperature crosses the pre-heat area and in the area of cooking. Please put your pizza cake into the oven for cooking.
6. Rotate pizza as required to ensure even heat distribution.

Chart

Fits a 57cm Kettle Grill(Charcoal)	Yes
Fits into a 50cm + Gas Grill	Yes
Accepts a 22cm Pizza	Yes
Accepts a 30cm Pizza	Yes
22cm Pizza Cook Time	5min.
30cm Pizza Cook Time	8min.
Assembly	10min.

This is what is needed to create a gourmet pizza.

Ingredients	Notes
Pizza dough	Store bought or home made.
Pizza sauce	Store bought or home made.
Cheese	Fresh mozzarella is excellent or you can use your favorite cheese.
Herbs,spices and salt	Use fresh basil or oregano and a nice sea salt.
Olive oil	Use a good quality extra virgin olive oil for best flavor.
Toppings	Use chopped/sliced vegetables, pre-cooked meats, etc. Get creative!

Care and Maintenance

Cleaning

1. Turn off the gas supply, and make sure all the knobs are in the “OFF” position.
2. Wait for the grill and BakerBox to cool.
3. Clean the exterior of the BakerBox with a wire brush. Use a metal scraper for stubborn stains.
4. Wipe outer housing with a soft damp cloth only when completely cooled.
5. Clean clogged port with a straightened paper clip. Never use a wooden toothpick as it may break off and clog the port.

Caution

1. Keep outdoor cooking gas appliance area clear and free from combustible materials, gasoline and other flammable vapors and liquids.
2. Do not obstruct the flow of combustible and ventilation air.
3. Keep the ventilation openings of the cylinder enclosure free and clear from debris.
4. Never leave the BakerBox unattended during use.

Trouble Shooting

Before calling for service

If the BakerBox does not function properly, use the following check list before contacting your dealer for service. You may save the cost of a service call.

Preheating: It is necessary to preheat the BakerBox before cooking pizza, depending on the type of food and the cooking temperature. The grill lid should be open during the preheating time period.

Problem	Solution
Can I close the lid of my grill while using the BakerBox?	We advise you to keep to lid of your grill in the fully opened position while using the BakerBox in order to protect you and your grill. If you fully or partially close your grill lid while using the BakerBox, it may cause components of your grill to over-heat which may result in damage to your grill and/or bodily injury should you touch the overheated components.
How do I clean the BakerBox?	After baking your final pizza, you can clean the BakerBox by letting the burners remain on high for approximately 15 minutes. Any residue should burn off and remains can be scrapped off and pushed to the back of the oven by using a long handled BBQ brush. Once the oven has cooled completely, a damp cloth can be used to wipe off any char left in the oven. The stone will remain blackened and/or darkened which is natural. If this does not clean the stone to your satisfaction, you can also remove the support brackets and flip the base stone over and replace the support brackets, This will give you a clean base stone to use and the next time you use the BakerBox, any remaining residue will burn off.

Warranty Information

This BakerBox has one (1) year limited warranty.

The warranty period is valid from the date of purchase. Please retain your proof of purchase.

This is subject to correct assembly, use, storage and regular maintenance of the product.

It is the responsibility of the product owner to safely store and protect the BakerBox from the elements.

This warranty does not cover the following:

- Rust
- Corrosion
- Discolouration
- Damage caused by improper use not according to instructions set out above

Please contact our customer service department for any further explanation at +27 12 802 1515



MEGAMASTER

BakerBox

FOR OUTDOOR USE ONLY



WARNING

Read and follow all Safety, Assembly, and Use & Care Instructions in this guide before assembling and cooking with this BakerBox.

Failure to follow all instructions in this Use & Care Guide may lead to fire or explosion, which could result in property damage, personal injury or death.

www.megamaster.co.za