

m. **MEGAMASTER**



ASSEMBLY & OPERATING INSTRUCTIONS

Important: Read these instructions for use carefully so as to familiarize yourself with the appliance before connecting it to its gas container. Keep these instructions for future reference

Area Heater

**Product may differ slightly from pictures within this
manual**

LPGSASA Permit Number: 1185-41/1-RSA-12-A

WARNING

- For Outdoor Use Only
- Read the instruction before installation and use.
- Keep the instructions for future references.

WARNING

- Do not store use gasoline or other flammable vapors and liquids in the vicinity of any other appliance.
- An LP Gas cylinder not connected for use shall not be stored in the vicinity of this or any other appliance.

WARNING

- Turn off the gas valve immediately if smell of gas is detected.
- Extinguish any open flame.
- If odour continues, contact your gas supplier immediately.

WARNING

- The user assumes all risk in the assembly and operation of the gas heater. Failure to follow the warnings and instructions in this manual can result in severe personal injury, death or property damage.
- If user cannot read or fully understand the instruction manual, please contact your dealer. Manufacturer or supplier will not be responsible for user's negligence.

TABLE OF CONTENTS

Caution.....	4
Heater Stand and Location.....	6
Gas Requirements.....	6
Leakage Test.....	7
Fuel Gas Odour.....	7
Lighting Instructions.....	8
Flame Characteristics.....	9
Storage.....	9
Cleaning and Maintenance.....	9
Burn Back.....	10
Assembly Instructions.....	11
Parts and Hardware.....	12
Problems Check List.....	17
Service and Maintenance Information.....	18
Technical Information.....	19
Warranty.....	19

CAUTION

PLEASE READ CAREFULLY THE FOLLOWING SAFETY GUIDELINES BEFORE OPERATION

- Do not make any unnecessary adjustments or modifications to this grill, a qualified LP gas technician should do any adjustments
- Improper installation, adjustment, alteration can cause personal injury or property damage.
- Do not attempt to alter the unit in any manner.
- This appliance must be connected to a 9kg LP gas cylinder.
- Do not move the appliance when in operation.
- Shut off the valve at the gas cylinder or the regulator before moving the appliance.
- The tubing or the flexible hose must be changed within 2 - 4 years depending on the condition.
- In case of strong winds attention must be taken against tilting of the appliance.
- Do not store or use gasoline or other flammable vapors or liquids into the heater unit.
- The whole gas system, hose regulator, pilot or burner should be inspected for leaks or damages before use.
- All leak tests should be done with a soap solution. Never use an open flame to check for leaks.
- Do not use the heater until all connections have been leak tested.
- Immediately turn off the gas valve if a smell of gas is detected.
- Do not transport heater while it is in operation.
- Do not move the heater after it has been turned off and the temperature has cooled down.
- Keep the ventilation opening of the cylinder enclosure free and clear of debris.
- Do not paint radiant screen, control panel or top canopy reflector.
- Control compartment, burner and circulation air passageways of the heater must be kept clean.
- Frequent cleaning may be required as necessary.
- The LP gas cylinder should be turned off when the heater is not in use.
- Check the heater immediately if any of the following exists:
 - The heater does not reach temperature.
 - The burner makes popping noise during use (a slight noise is normal when the burner is extinguished).
 - Smell of gas in conjunction with extreme yellow tipping of the burner flames.
- The LP Gas regulator/hose assembly must be located out of pathways where people may trip over it or in an area where the hose will be subject to accidental damage.
- Any guard or other protective device removed for servicing the heater must be

replaced before operating the heater.

- Change the gas cylinder in a well-ventilated area, away from any ignition source.
- Check that the regulator seal is fitted and that it is in good condition.
- Do not obstruct the ventilation holes of cylinder housing.
- Adults and children should stay form high temperature surface to avoid burns or clothing ignition.
- Children should be carefully supervised when they are in the area of the heater.
- Clothing or other flammable materials should not be hung on the heater or placed on or near the heater.
- The user may replace the rubber hose by himself/herself and must not be longer than 60cm. The hose must be suitable for LP Gas and comply with SANS 1156.

LP Gas Characteristics - Flammable, explosive, heavier than air-settles in low areas. In its natural state, LP Gas has no odor. For your safety, an odorant is added to assist in leak detection.

- Contact with liquid LP Gas can cause freeze burns to skin.
- This heater is shipped from the factory for use with LP Gas only.
- Use only an approved "9kg" LP Gas cylinder (same as commonly used on gas grills) with safety valves.
- Never use a cylinder with a damaged body, valve, collar or foot ring.
- When heater is not in use, turn Control Valve OFF. Close the valve of the gas cylinder or the regulator after use.
- The use of this appliance in enclosed areas can be dangerous and is PROHIBITED.

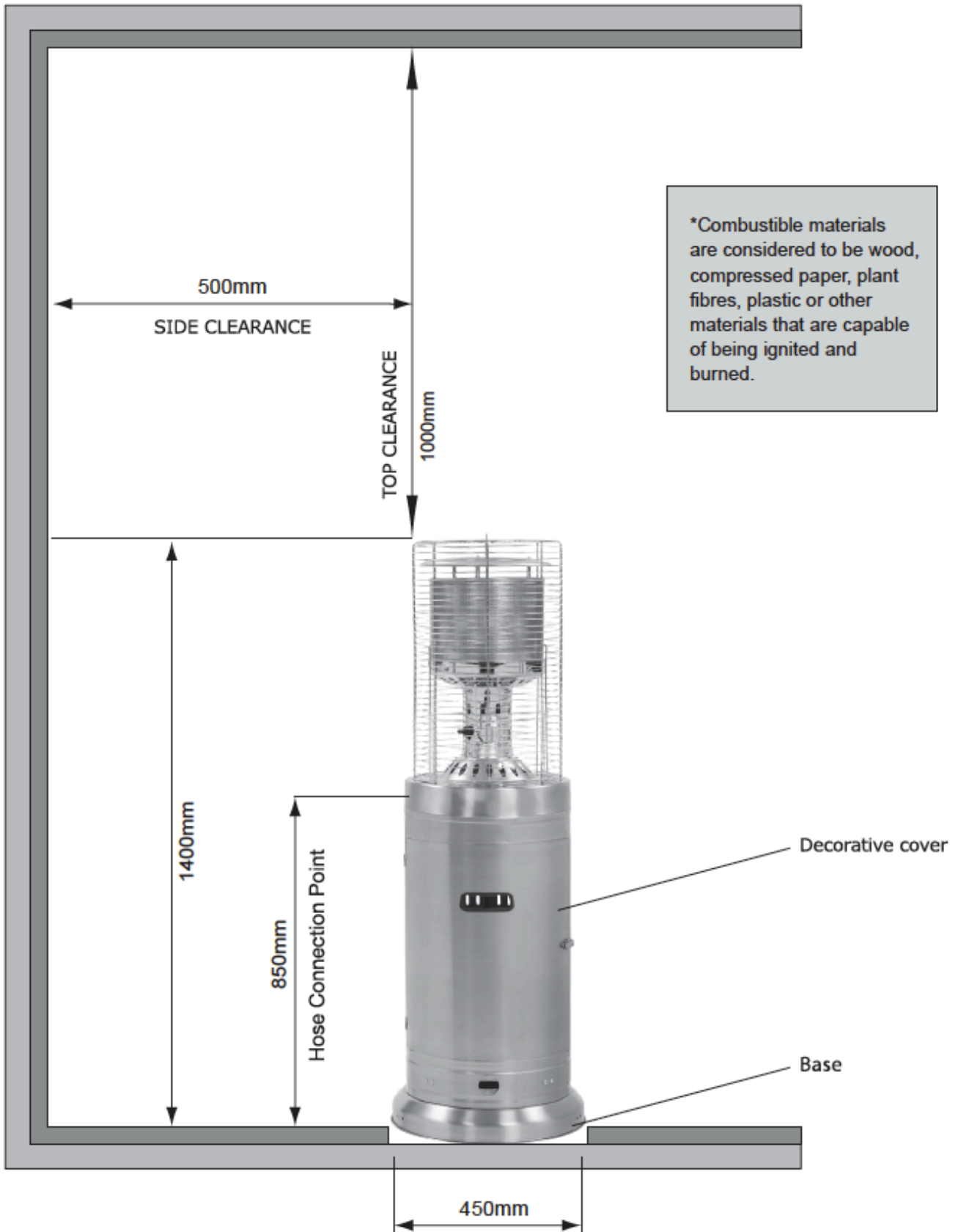
1) For use outdoors or in amply ventilated areas.

2) An amply ventilated area must have a minimum of 25% of the surface area open.

3) The surface area is the sum of the walls surface.

HEATER STAND AND LOCATION

Minimum Clearance from Combustible Surfaces*:



GAS REQUIREMENTS

- For use with LP Gas mix only.
- LP Gas regulator must be a 2, 8kPa regulator that complies with the requirements of SANS1237.
- The hose assembly to be used must conform to local standard codes.
- The installation must conform to local codes, or in the absence of codes, with the standard for storage and handling of liquid petroleum gases. SANS 1539:2012
- A dented, rusted or damaged LP gas cylinder may be hazardous and should be checked by your cylinder supplier.
- Never use a LP gas cylinder with a damaged valve connection.
- The LP gas cylinder must be arranged to provide for vapor withdrawal from the operating cylinder.
- Never connect an unregulated LP gas cylinder to the heater.

LEAKAGE TEST

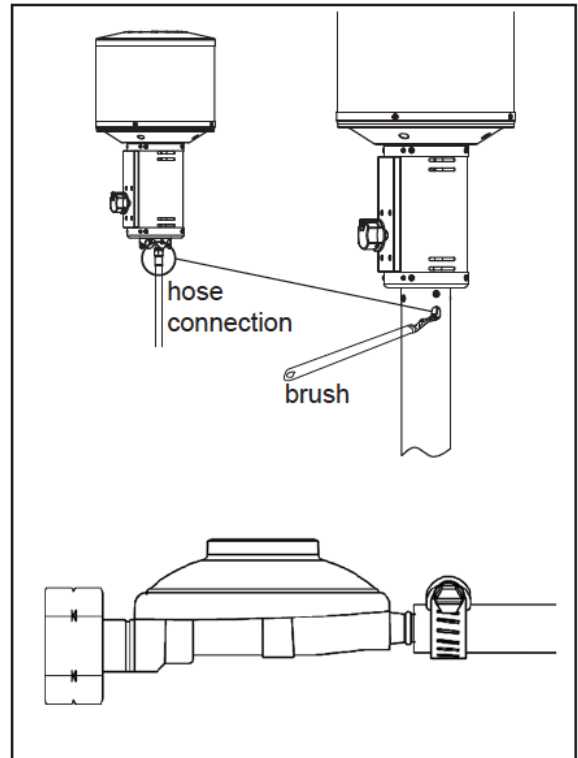
Gas connections on the heater are leak tested at the factory prior to shipment. A complete gas tightness check must be performed at the installation site due to possible mishandling in shipment or excessive pressure being applied to the heater.

- The heater must be checked with a full LP gas cylinder.
- Make sure the safety control valve is in the OFF position.
- Make a soap solution of one part liquid detergent and one part water. The soap solution can be applied with a spray bottle, brush or rag.
- Soap bubbles will appear in case of a leak.
- Leakage test points. See pictures below.
- Turn the gas supply ON.
- In case of a leak, turn off the gas supply.
- Tighten any leaking fittings, then turn the gas supply on and recheck.
- Contact your dealer for assistance if bubbles continue to appear.
- Never leak test while smoking.

FUEL GAS ODOUR

LP Gas has an added odorant to specifically assist on the detection of fuel gas leaks. If a gas leak occurs you should be able to smell the fuel gas. Since LP Gas is heavier than air you **should smell for the gas odour low to the floor. ANY GAS ODOUR IS YOUR SIGNAL TO GO INTO IMMEDIATE ACTION!**

- Do not take any action that could ignite the fuel gas. Do not operate any electrical switches. Do not pull any power supply or extension cords. Do not light matches or any other source of flame. Do not use your telephone.
- Get everyone out of the building and away from the area immediately. LP Gas is heavier than air and may settle in low areas. When you have reason to suspect a gas leak, keep out of all low areas.
- Use your neighbor's phone and call your LP Gas supplier and your fire department. Do not reenter the building or area.
- Stay out of the building and away from the area until declared safe by the firefighters and your LP Gas supplier.
- FINALLY, let the fuel gas service person and the firefighters check for escaped gas.



Have them air out the building and area before you return. Properly trained service people must repair any leaks, check for further leakages, and then relight the appliance for you.

LIGHTING INSTRUCTIONS

Step 1.

Ensure that the control knob is off. Slowly open the gas cylinder valve.

Step 2.

Push in control knob and turn anti-clockwise to HIGH whilst simultaneously pressing the red ignitor button.

Step 3.

Check for flame at the burner. If burner does not light immediately turn control knob to OFF position and try again from the start. Allow 30 seconds between ignition attempts for gas to dissipate. Several attempts may be necessary.

Failure to follow this lighting procedure may result in flame roll out beyond the emitter grid.

Step 4.

With the burner alight keep control knob depressed for 15 seconds.

Step 5.

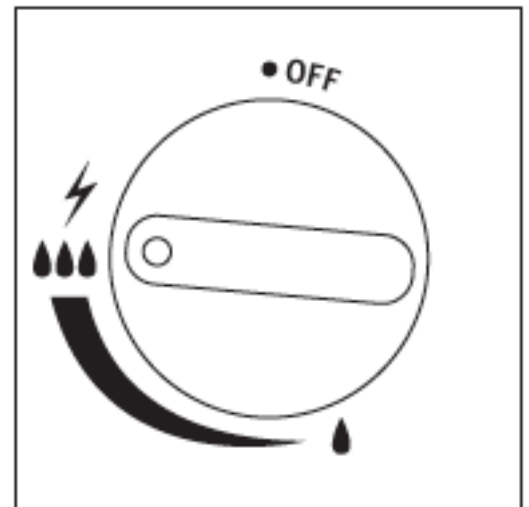
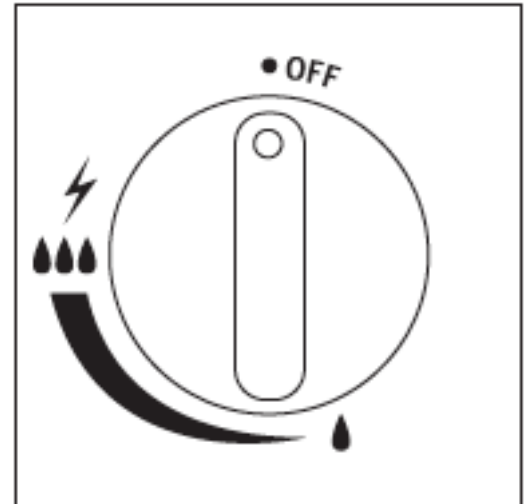
For minimum heat push in and turn the control knob to 'LOW'.

Step 6.

To turn heater off, turn the control knob to 'OFF'.

Note:

- If a new LP gas cylinder has just been connected, please allow at least one minute for the air in the gas pipeline to purge out through the pilot hole.
 - When lighting the pilot flame make sure that the variable control knob is continuously pressed down while pressing the igniter button. Variable control knob can be released after the pilot flame lights.
 - Pilot flame can be watched and checked from the small round window with sliding lid located at the bottom of the flame screen (to the left or right side of the controller).
 - If the pilot flame does not light or it goes out, REPEAT STEP 3.
1. After the pilot flame lights, turn the variable control knob to minimum position and leave it there for 5 minutes or more before turning the knob to desired temperature position.
 2. If burner still does not stay lit, then:
 - a) Push in gas control knob and turn counter clockwise to the "LOW" position.
 - b) Keep depressing the control knob, put long stem lighter into the ignition hole on the emitter screen to light the burner.



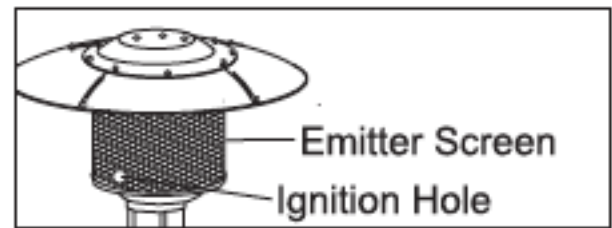
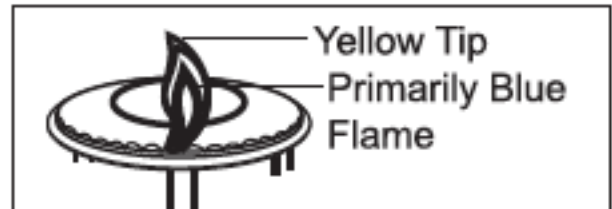
TO TURN OFF THE HEATER

1. Push and turn the variable control knob to “OFF” position.
2. Turn off the valve on the LP gas supply cylinder completely.

FLAME CHARACTERISTICS

The flame pattern at the emitter screen should be visually checked whenever the heater is operated. Normally the burner flame is blue, but little yellow flames are acceptable.

If the flames extend beyond the surface of the emitter grid, or the phenomena of flame lift or burn-back, or black spots are accumulating on the emitter grid or reflector, the heater should be turned off immediately. The heater should not be operated again until the unit is serviced or repaired.



STORAGE

1. Always close the gas valve of the LP gas cylinder after use or in case of a disturbance.
2. Remove the pressure regulator and the hose.
3. Check the tightness of the gas valve and for damage. If you suspect damage, have it changed by your gas dealer.
4. Never store a LP gas cylinder in a sub-terrain environment, or at places without adequate air ventilation.

CLEANING AND MAINTENANCE

To enjoy years of outstanding performance from your heater make sure you perform the following maintenance activities on a regular basis:

- Keep exterior surfaces clean.
- Use warm soapy water for cleaning. Never use flammable or corrosive cleaning agents.
- While washing your unit, be sure to keep the area around the burner and pilot assembly dry at all times. If the gas control is exposed to water in any way, do NOT try to use it. It must be replaced.
- Keep the appliance area free and clean from combustible materials, gasoline and other flammable vapors and liquids; not obstructing the flow of combustion and ventilation air; keeping the ventilation opening(s) of the cylinder enclosure free and clear from debris.
- Visually check burner flames.
- Un-screw the screws on pole to remove the burner head assembly.
- Check if there are cracks or worn sections on hose. If yes, please call our customer service to replace hose.

- At least once a year, the unit should be inspected for the presence of spiders, spider webs or other insects.
- Airflow must be unobstructed. Keep controls, burner, and circulating air passageways clean. Signs of possible blockage include:
 - Gas odor with extreme yellow tipping of flame.
 - Heater does NOT reach the desired temperature.
 - Heater glow is excessively uneven.
 - Heater makes popping noises.
 - Spiders and insects can nest in burner or orifices. This dangerous condition can damage heater and render it unsafe for use. Clean burner holes by using a heavy-duty pipe cleaner. Compressed air may help clear away smaller particles.
 - Carbon deposits may create a fire hazard. Clean the dome and engine with warm soapy water if any carbon deposits develop.

BURN-BACK (FIRE IN BURNER TUBE OR CHAMBER)

In the event of a burn-back, where the flame burns back to the jet, immediately turn off the gas supply at the control valve on the panel.

After ensuring the flame is extinguished, wait for 1 minute and re-light the appliance in the normal manner. Should the appliance again burn back, close the control valve and call a service technician. Do not use the appliance again until the service technician has declared that it is safe to do so

ASSEMBLY INSTRUCTIONS

A shifting spanner / wrench and phillips screwdriver are required to complete the assembly of this product.

Step 1

Attach the wheel assembly to the base with two M8 x 16mm bolts and nuts.

Step 2

Attach the brackets onto the base with four M8 x 16mm bolts and then attach the cylinder cover with eight M5 x 10mm screws and nuts.

Step 3

Place the burner head on the cylinder cover and secure with four M4 X 8MM screws.

Step 4

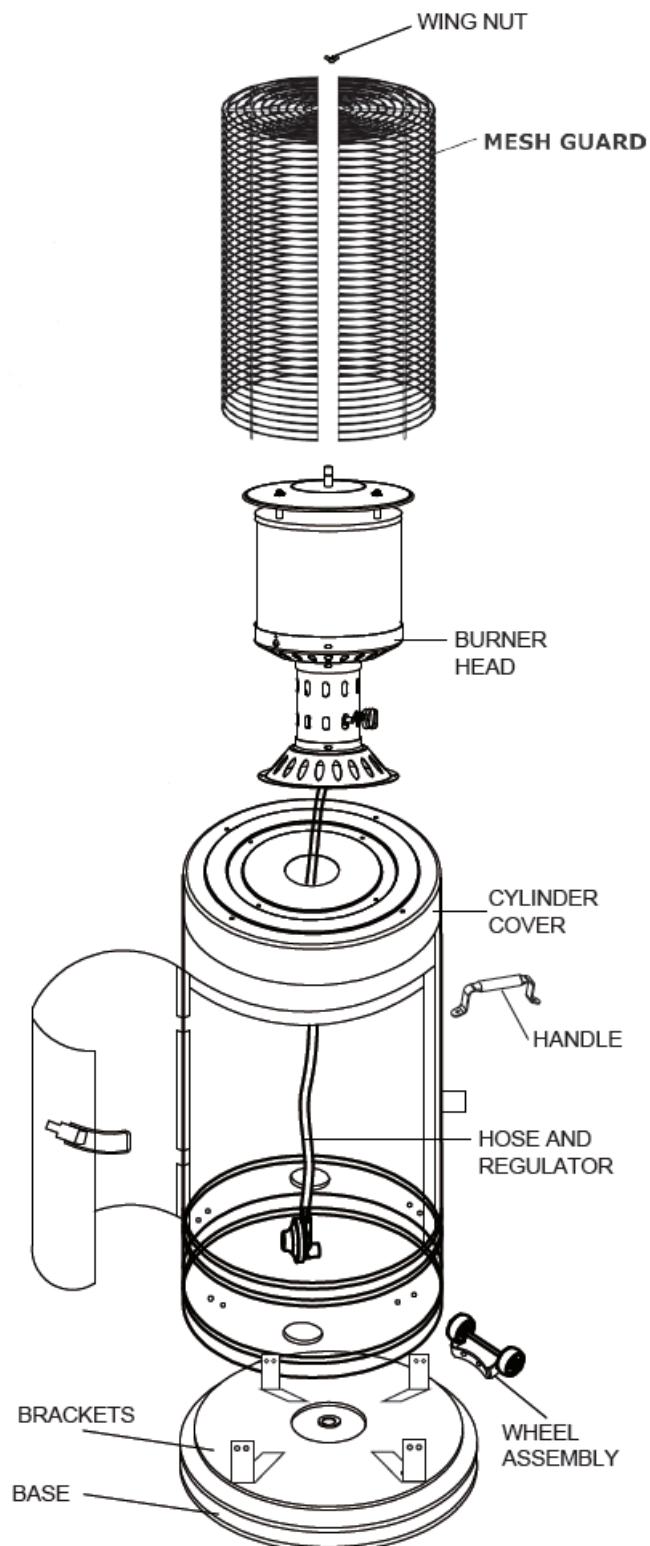
Position the mesh guard around the burner with the lift up door in front of the control knob locating the wire pins into the cylinder cover holes then secure with the wing nut on top.

Step 5

Attach the handle on the same side as the wheels, using two washers and M6 nuts.

Step 6

Attach the hose and regulator to the underside of the burner head, tightening the hose fitting thread firmly. Leak test this connection with a soapy water solution before attempting to light the heater.



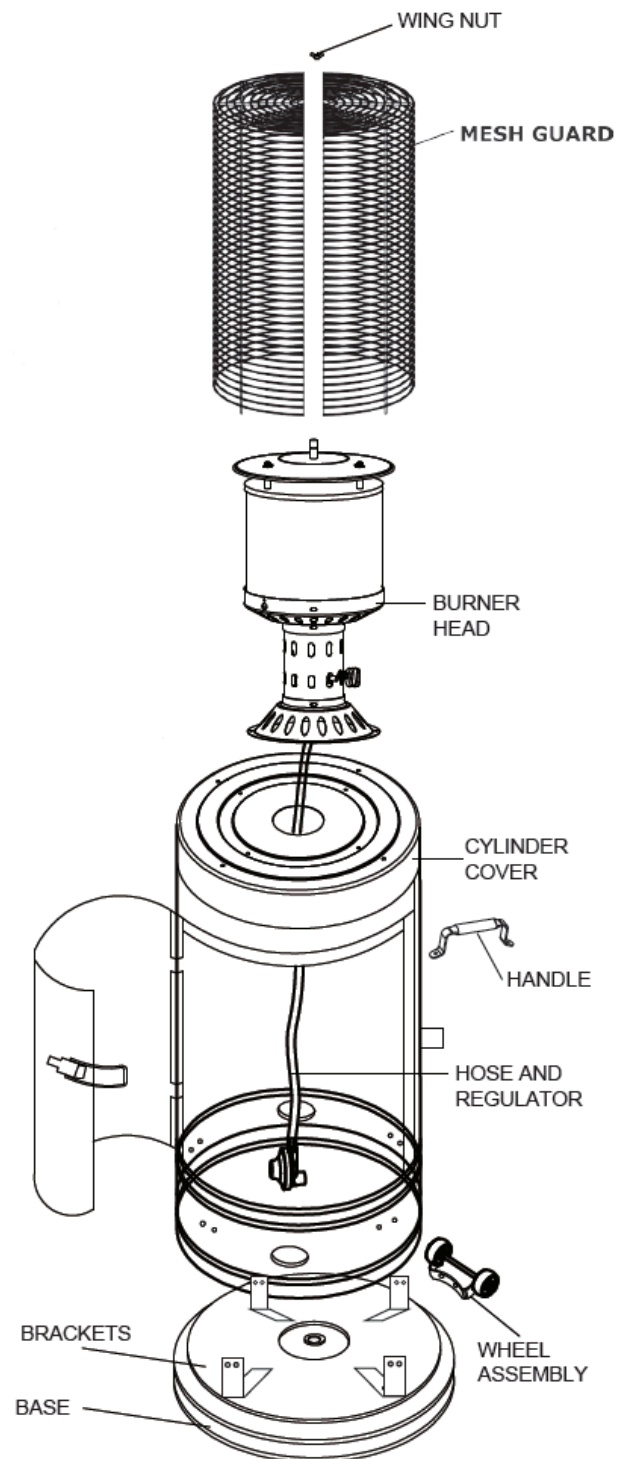
Please check above components and hardware before assembling

Please contact the customer service department for replacement parts.

Tel: +27 (0) 12 802 1515

PARTS AND HARDWARE

NAME	QTY
Mesh Guard	2
Burner Head	1
Handle	1
Cylinder Cover	1
Hose and Regulator	1
Wheel Assembly	1
Base	1
Base Brackets	4
Wing Nut	1
M8 x 16mm Bolt	6
M8 Nut	2
M6 Washer	2
M6 Nut	2
M5 x 10mm Screws & Nuts	8
M4 x 8mm Screws	4



PROBLEMS CHECK LIST

PROBLEM	PROBABLE CAUSE	SOLUTION
Burner will not light	<ul style="list-style-type: none"> - Burner injector clogged. - Low gas supply pressure. 	<ul style="list-style-type: none"> - Clean burner injector. - Call your gas supplier.
Burner flame goes off immediately after ignition	<ul style="list-style-type: none"> - Low gas pressure 	<ul style="list-style-type: none"> - Call your gas supplier.
Delayed ignition	<ul style="list-style-type: none"> - Main burner carry over ports clogged. - Low gas supply pressure 	<ul style="list-style-type: none"> - Clean main burner ports. - Call your gas supplier.
Inadequate combustion on burner	<ul style="list-style-type: none"> - Not enough air. 	<ul style="list-style-type: none"> - Check air passageways and burners for dirt and debris, and clean with compressed air.
Burner flame is low	<ul style="list-style-type: none"> - Supply hose is bent or twisted - Blockage in burner injector 	<ul style="list-style-type: none"> - Straighten hose and perform leak test on hose. - Clean or replace burner injector.
Emitter glows uneven	<ul style="list-style-type: none"> - Blockage in burner injector - Base is not on a level surface - Low gas pressure 	<ul style="list-style-type: none"> - Clean or replace burner injector. - Place heater on a level surface. - Replace cylinder with a new cylinder.
Slight smoke and odor during initial operation	<ul style="list-style-type: none"> - Residue from manufacturing processes. 	<ul style="list-style-type: none"> - Will stop after approx. 30 minutes of operation.
Thick black smoke	<ul style="list-style-type: none"> - Blockage in burner 	<ul style="list-style-type: none"> - Turn off the heater and let it cool. Remove blockage and clean burner inside and outside.
Heater produces a whistling noise when burner is lit.	<ul style="list-style-type: none"> - Air passageways blocked. - Air in the gas line. 	<ul style="list-style-type: none"> - Check minimum installation clearances and air passageways for debris. - Operate burner until the air is completely purged.
Heater produces a clicking noise just after burner is lit or turned off.	<ul style="list-style-type: none"> - Metal expanding and contracting, respectively. 	<ul style="list-style-type: none"> - This is common with heaters. If noise is excessive, contact a qualified person.
Gas odor even when control knob is in OFF position	<ul style="list-style-type: none"> - Gas leaks. - Gas control defective. 	<ul style="list-style-type: none"> - Locate and correct leaks immediately. - Replace gas control.
Gas odor during combustion	<ul style="list-style-type: none"> - Foreign matter in gas or on burner ports. - Heater burning vapors from paint, impurities in air. - Gas leakage from: <ul style="list-style-type: none"> - Regulator and hose connection. - Valve and pipes connection. - Pipes 	<ul style="list-style-type: none"> - Check gas passageway and burner - Stop storing and using odor-causing products near the heater. - Locate and correct leaks, or contact your gas supplier.
Carbon build-up	<ul style="list-style-type: none"> - Dirt or film on reflector and flame screen 	<ul style="list-style-type: none"> - Clean reflector and flame screen.

SERVICE AND MAINTENANCE INFORMATION

If the pilot heater fails to operate correctly, contact place of purchase or their authorized service agent for advice and service. Megamaster Customer Service +27 (0) 12 802 1515.

DO NOT ATTEMPT REPAIRS YOURSELF.

Periodic maintenance should be performed at intervals not exceeding 6 months or when obvious faults exist. (i.e.) flame burning abnormality or burner discoloration. Flame abnormality or burner discoloration is generally a sign of gas supply blockage or blocked burner ports.

To clean the burner ports, remove the reflector assembly by removing the three nuts at the top of the reflector. The mesh screen should then be extracted by removing the four retention screws at the base of the mesh screen and four screws at the top of the screen. Remove the two screws retaining the burner assembly, rotate the burner assembly slightly then remove the burner assembly upwards.

Care should always be taken to avoid damage to the gas piping and Piezo ignition lead. The burner and mesh screen should then be cleaned by compressed air. Assembly is a reversal of the above procedure.

If the pilot is blocked by debris, spider webs etc. the pilot flame may be small and the flame failure device may have not heated up enough for the main burner to come on. If this happens it will be necessary to clean the pilot and its gas tube.

To clean the pilot, remove the burner and pilot cover as detailed above, inspect the pilot injector and tubing for blockage. If obstructed clean with compressed air. Clean the flame failure device. Assembly is a reversal of the above procedure.

TECHNICAL INFORMATION

Item	Outdoor Patio Heater	Serial No:	
Model	PH09-S-P		
Country Destination	ZAR		
Type of gas	LP GAS		
Pressure (kPa)	2,8		
Category	I3 (28-30)	Gas Consumption	870g/hr.
Heat Output	12.0kW	Injector Diameter	1,90mm
Manufacturer/Importer	Megamaster South Africa		
<ul style="list-style-type: none">• Close the valve of the gas cylinder after use.• Read the instructions before using this appliance.• For use outdoors and in well ventilated areas.• The use of this appliance in enclosed areas can be dangerous and is PROHIBITED.• This appliance must be installed and assembled in accordance with SANS 1359:2012.• A well-ventilated area must have a minimum of 25% of the surface area open.• The surface area is the sum of the walls surface.			

WARRANTY

This patio heater has a one (1) year limited warranty.

The warranty period is valid from the date of purchase.

This is subject to correct assembly, use, storage and regular maintenance of the product.

This product is intended for use with a 9kg LP Gas Cylinder, use of any other cylinder any resulting damage to the product will void the warranty.

This product is intended for use with the supplied low pressure, 2.8kPa LP gas regulator, use with any other type of pressure regulator and any resulting damage to the product will void the warranty.

It is the responsibility of the product owner to safely store and protect the patio heater from the elements; covers can be purchased separately to protect this product.

This warranty does not cover the following:

- Rust
- Corrosion
- Discoloration
- Surface Abrasion

Please contact our customer service department for any further explanation at +27 (0) 12 802 1515.



Area Heater

FOR OUTDOOR USE ONLY

 **WARNING**

Read and follow all Safety, Assembly, and Use & Care Instructions in this guide before assembling and cooking with this patio heater.

Failure to follow all instructions in this Use & Care Guide may lead to fire or explosion, which could result in property damage, personal injury or death.

This appliance complies with the requirements of SANS 1539

www.megamaster.co.za

Manufactured in China • Distributed by Megamaster • PO Box 15, Woodlands, 0027, South Africa •
Tel: +27(0) 12 802 1515