

ETHANOL 1100 FIREPLACE OWNER'S MANUAL

USER MANUAL & ASSEMBLY INSTRUCTIONS

Important: Read these instructions and warnings carefully so as to familiarize yourself with the appliance before attempting to install or use this product. Keep these instructions for future reference.

www.megamaster.co.za

Manufactured in China· Distributed by Mega Group · PO Box 15, Woodlands, 0027, South Africa· Tel: +27(0)12 802 1515

Safety tips for your appliance:

- Please read this warning information before use
- Retain this manual for future reference
- Keep out of reach for children
- Never leave infants and children unattended near this appliance.
- This appliance is only for use in a well-ventilated area.
- DO NOT obstruct the flow of combustion and ventilation of air.

Toxic fumes may accumulate and cause serious injury or death.

DO NOT put this appliance on or near any combustible materials. Keep the area clear and free of anything that may catch fire or explode.

DO NOT store or use gasoline or other flammable vapors and liquids in the vicinity of this or any other appliance.

NEVER attempt to move a hot appliance. Handle all metal parts with care. Use mitts or hot pads to avoid any burns or injury.

Remove this appliance **ONLY** after all the fuel has completely burned out. **NEVER** dump hot fuel where it could be potentially dangerous or cause a fire.

Warnings:

1. **Normally within about ten minute after the fuel has burnt out, the fuel tank will still be hot. Adding more fuel to a hot fuel tank may cause fuel vapors to accumulate in the firebox area. This is potentially dangerous and explosive.**
2. **While the fire is burning DO NOT try to add any fuel into fuel tank, bio ethanol fuel is extremely flammable and any attempt to add more fuel while it is in use may lead to serious bodily harm, injury or death.**

CAUTION: All cleaning and maintenance should be carried out when the appliance is cool and with the fuel has finished.

With this fireplace you can enjoy the comfort of a real fire without having to install a chimney. As Bio Ethanol almost burns out without residues, ventilation by means of an open window in most cases is sufficient to air a room of adequate size. Please familiarize yourself with the proper usage of the fireplace by reading and following each of the chapters of this manual, in the order presented. Keep these operating instructions for further reference. This operating instruction contains important details for handling the fireplace. Please pass it on along with the fireplace if it is handed over to a third party! Please read all safety instructions! These instructions will make it easier for you to handle the fireplace and help prevent misunderstandings and possible damage or injury. These instructions will make it easier for you to handle the fireplace and help prevent misunderstandings and possible damage or injury.

Technical Information:

Commercial name: **bio-ethanol fireplace**

Identification name: **Ethanol 1100 (WM05)**

The weight of the device is 21kg (without fuel).

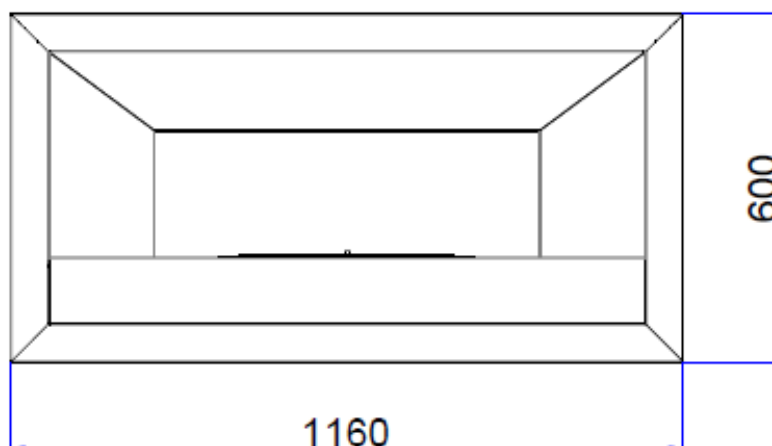
Type of fuel: **Bio-Ethanol (clear liquid fuel)**

Type: Wall mounted

Filling quantity of fuel: **1.25L fuel**

Burning time ca: **about 2.7 hours**

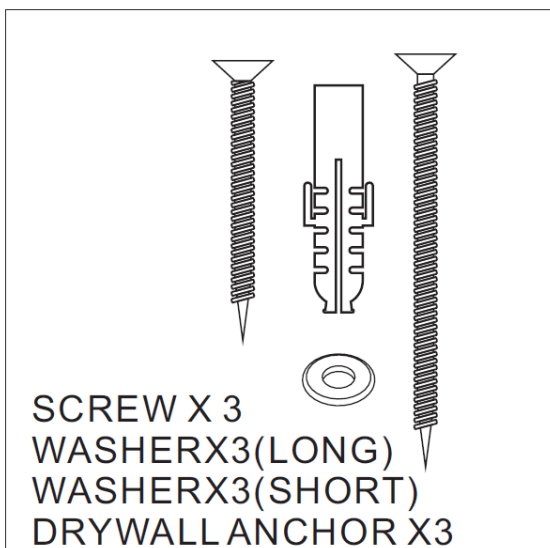
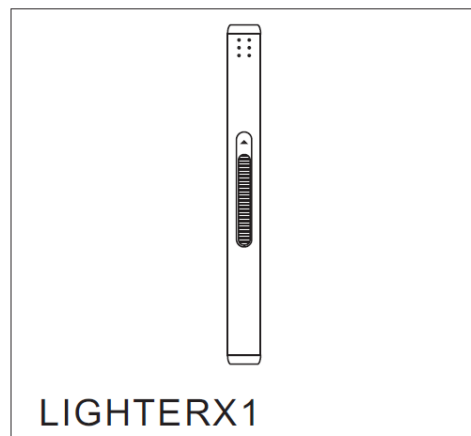
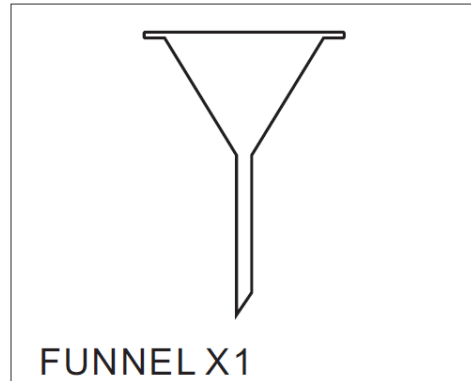
Overall size of items: **mm**



Mounting

- 1) Take the fireplace out of packing carefully. Check that all the components are present in the packaging.

INCLUDED ITEM



- 2) Unscrew Wall mounted part B from Wall mounted part A (which is connected together in packing with 2 x self drill screw).
- 3) Drill mounting screw hole on the wall where there are no combustible materials surrounding the fireplace, leave a clearance or opening of 30cm (300mm) in all four directions.
- 4) Put the mounting screw into the two holes, then wrench and tighten the screw, connect the Wall mounted part B to the mounting screw with mounting screw nut.
- 5) Connect the wall mounting part B to mounting part A, then screw them together.

Caution: This appliance may be heavy and awkward to install alone, ensure you have adequate help to hold and mount the fireplace.

Preparation for use:

1. Check that the fuel tank is in right position of firebox.
2. Fill the liquid Bio Ethanol into the fuel compartment. Be very careful when filling and only use the included accessory (measuring cup and funnel). Take care not to spill the fuel!
3. Do not fill any other compartments with fuel, if there is spillage please take care to clean the areas before lighting the fire.
- 4. Make sure to never fill the fuel tank with more than 1,25 Litre, and never fill the fuel tank above the Max indicating line in burner.**
5. Place the compartment lid on the fuel compartment. Ensure that the cover is positioned properly by moving it back and forth multiple

times. Move the lid several times and check that it fits properly before igniting the fuel.

Igniting the Bio Ethanol:

1. From a safety perspective it is recommended to ignite the fuel with a bendable lighter, a BBQ lighter or an extra long quick match.

Only ignite the fuel when the fuel compartment is completely filled as per the previous instructions.

2. For safety reasons, stand to the side of the fireplace while igniting the fuel in the fuel compartment. Bio Ethanol releases vapor fumes and will ignite with a small “burst” or “pop”

After igniting the fuel in the fuel compartment the flame will burn moderately and after a few minutes the flame quality will increase.

It will take approx. 10 – 15 minutes for the fuel compartment and the Bio Ethanol to reach the optimal operating temperature.

Reducing and extinguishing the flame:

1. To extinguish the flame, use the fire stopper/killer tool to close the fuel compartment, keep the compartment closed for a few seconds to ensure the fire is extinguished. After extinguishing the

fire, allow the fireplace to cool down for at least 15 – 20 minutes with the fuel compartment closed before filling again, cleaning etc.

2. Never attempt to add more Bio Ethanol onto an active fire or in the fuel compartment if it is still hot!

3. If possible, allow the Bio Ethanol to burn until it has been completely used up. By doing this you will avoid deflagration while igniting the fuel again.

Cleaning and Storing:

Allow the fireplace to cool down for at least 30 minutes before cleaning. Attention: There is risk of burns due to hot surfaces!

Clean the surfaces of the fireplace with a dry or lightly moistened cloth. Do not use abrasive or aggressive chemicals and solvents for cleaning.

If there is still Bio Ethanol in the fuel compartment, be very careful while cleaning the fireplace. Make sure that the fuel does not splash out.

Warranty:

This fireplace has a one (1) year limited warranty.

The warranty period is valid from the date of purchase. Please retain your proof of purchase.

This is subject to correct assembly, use, storage and regular maintenance of the product.

Please refer to page 5 of this manual for list of parts and components.

This product is intended for use with liquid bio ethanol fuel only, use of any other fuel and the resulting damage to the product will void the warranty.

This product is intended for use in a domestic residence and should not be used for commercial purposes.

It is the responsibility of the product owner to safely store and protect the fireplace from the elements and exposure to harmful conditions.

This warranty does not cover the following:

- Rust
- Corrosion
- Discolouration of any kind

Please contact our customer care department:

010 001 6342(MEGA).

NOTES:

Date purchased: _____

Date installed: _____

Installer name: _____