

Raffia ceiling pendant Light 27 inch - Large Hat

SPECIFICATIONS

We meet all UK and EU lighting and safety regulations.

Our products are hand finished to ensure an authentic vintage look and therefore they may vary slightly from those shown in the images.

Bulb Required: Standard screw (E27) fitting, max 40W.

WEIGHT: 1.62 kg

INFORMATION

PRODUCT CODE: RA-LHP27-N

FINISHES: Natural

FLEX: 1 Meter Black Twisted flex

DIMENSIONS

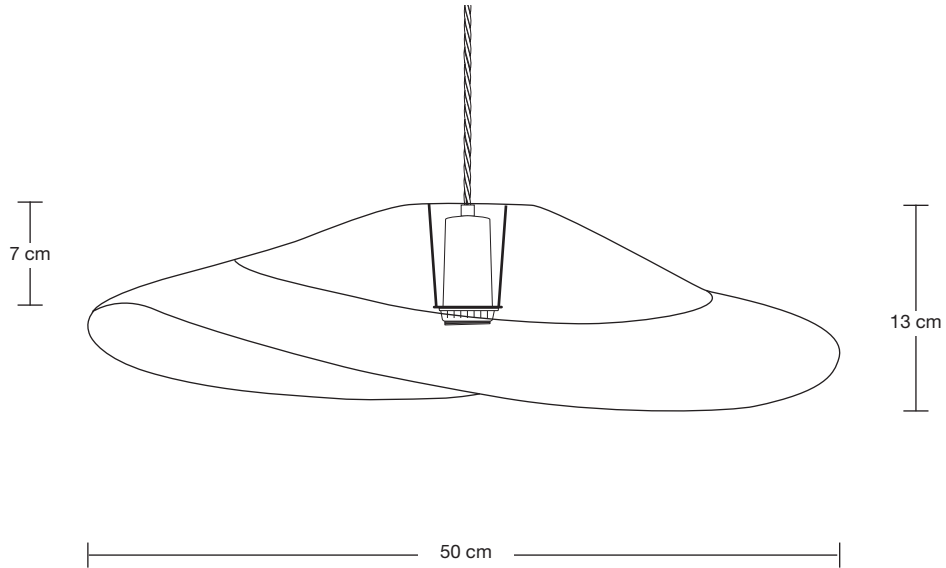
H: 19 cm x W: 70 cm x D: 70 cm

SHADE DIAMETER: 70 cm / 27.5"

SHADE HEIGHT: 19 cm / 7.4"

ROSE DIAMETER: 8 cm / 3.1"

ROSE HEIGHT: 2 cm / 0.7"



Raffia ceiling pendant Light 20 inch - Medium Hat

SPECIFICATIONS

We meet all UK and EU lighting and safety regulations.

Our products are hand finished to ensure an authentic vintage look and therefore they may vary slightly from those shown in the images.

Bulb Required: Standard screw (E27) fitting, max 40W.

WEIGHT: 1.02 kg

INFORMATION

PRODUCT CODE: RA-LHP20-N

FINISHES: Natural

FLEX: 1 Meter Black Twisted flex

DIMENSIONS

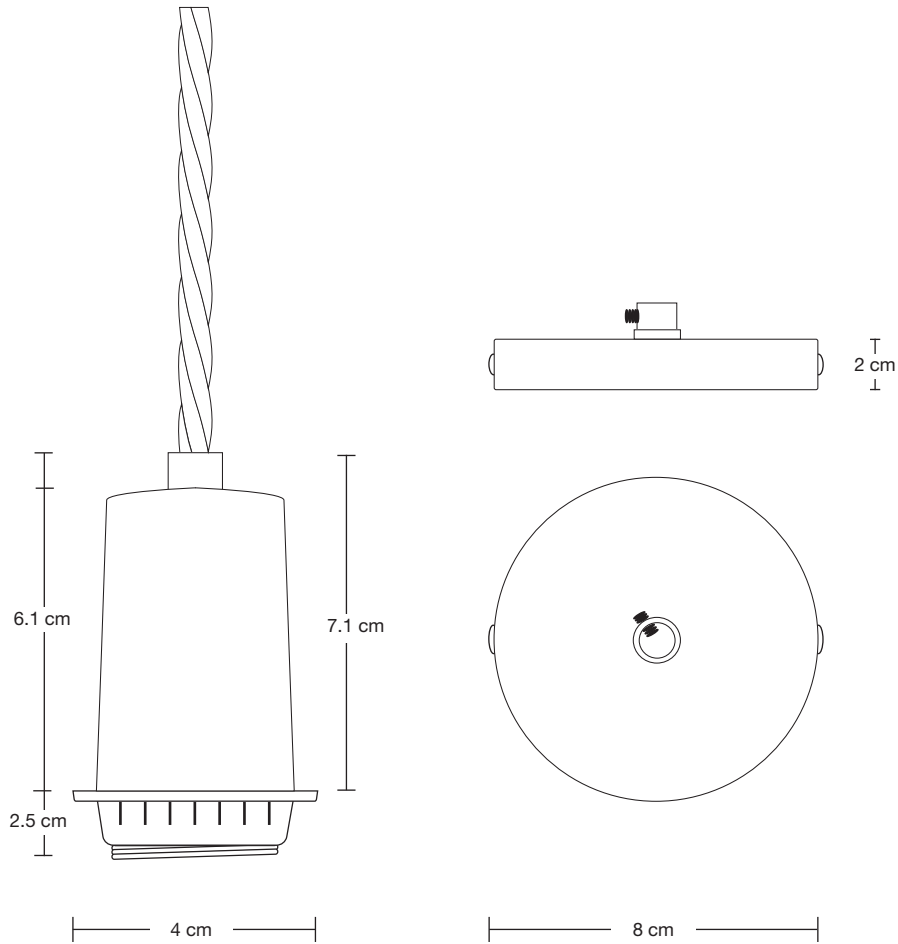
H: 13 cm x W: 50 cm x D: 50 cm

SHADE DIAMETER: 50 cm / 19.6"

SHADE HEIGHT: 13 cm / 5.1"

ROSE DIAMETER: 8 cm / 3.1"

ROSE HEIGHT: 2 cm / 0.7"



Sleek Edison Cord Set ES E27 Bulb Holder

SPECIFICATIONS

We meet all UK and EU lighting and safety regulations.

Our products are hand finished to ensure an authentic vintage look and therefore they may vary slightly from those shown in the images.

Bulb Required: Standard screw (E27) fitting, max 40W.

WEIGHT: 0.3 kg

INFORMATION

PRODUCT CODE: SL-EBH

BASE FINISHES: Brass, Pewter, Copper, Black

FLEX CORD: 1m Black Twisted Fabric Flex.

Ready to be installed, installation required.

Wall mount screws not included.

DIMENSIONS

H: 9.6 cm x W: 4 cm x D: 4 cm

HOLDER DIAMETER: 4 cm / 1.6"

HOLDER HEIGHT: 9.6 cm / 3.8"

ROSE DIAMETER: 8 cm / 3.2"

ROSE HEIGHT: 2 cm / 0.8"