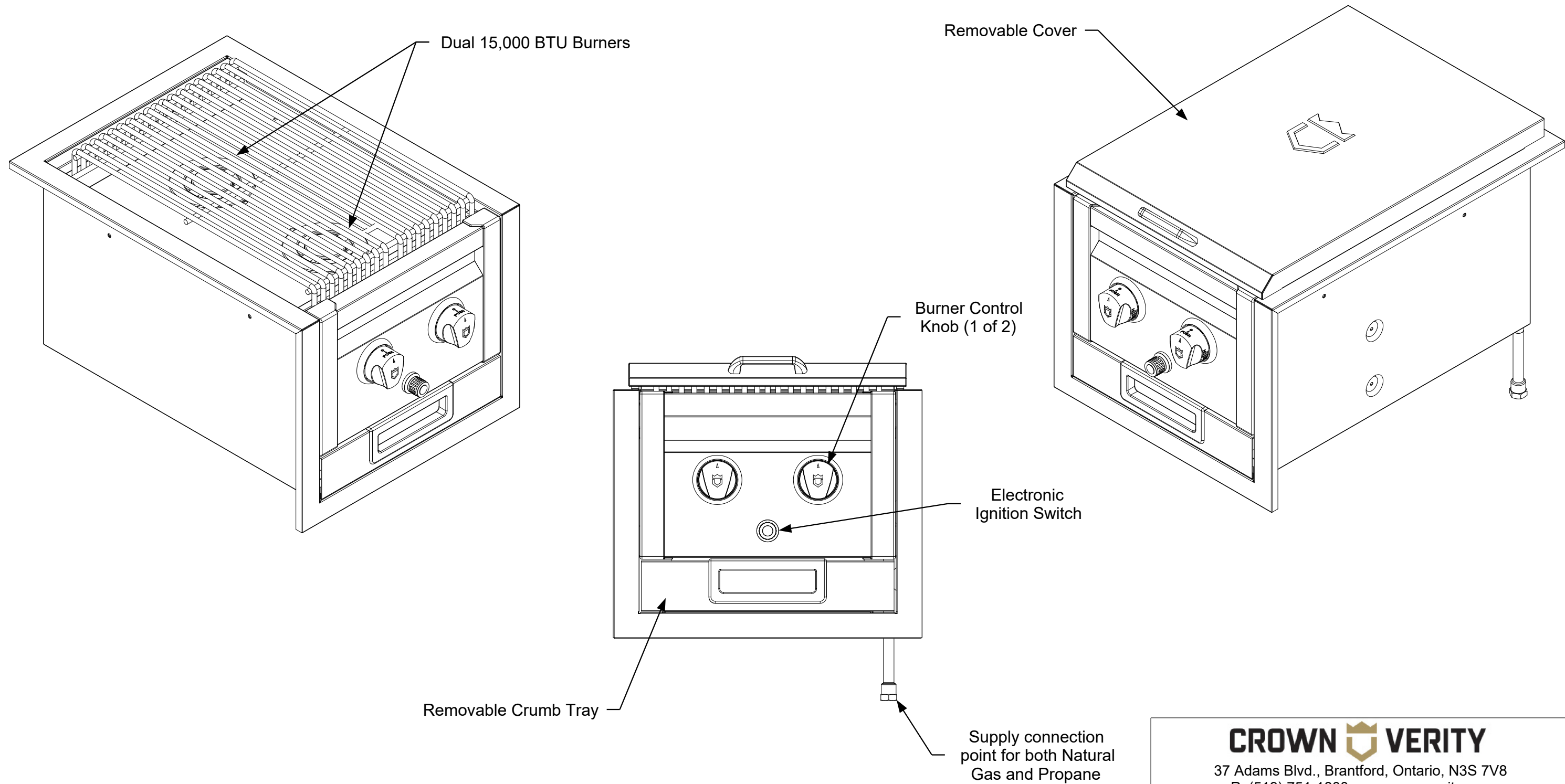


REVISION HISTORY			
REV	DESCRIPTION	DATE	APPROVED
-	Engineering Release	01/01/2020	Todd Stone



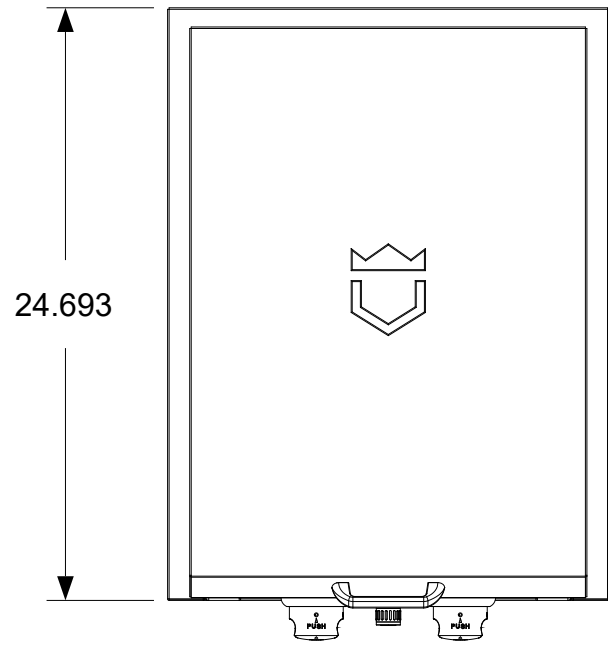
Suggested Cut-out Dimensions	
Height	13.125
Width	16.000
Depth	23.000
Material	SS 304

Dimensions are in inches  
 Linear Tolerance: +/- .015  
 Bend Tolerance: +/- .020  
 Angular Tolerance: +/- 0.5  
 Radial Tolerance: +/- .005  
 DRAWN BY: Todd Stone

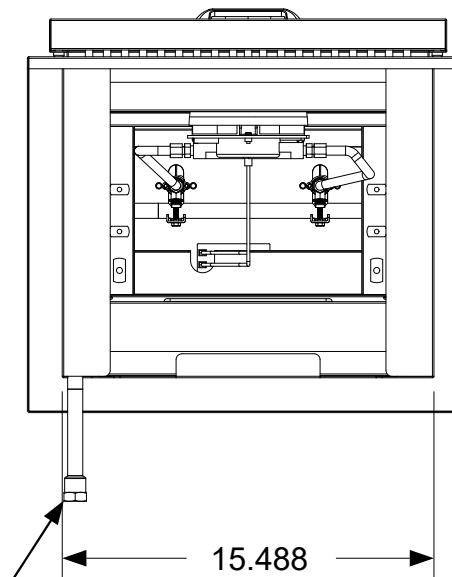
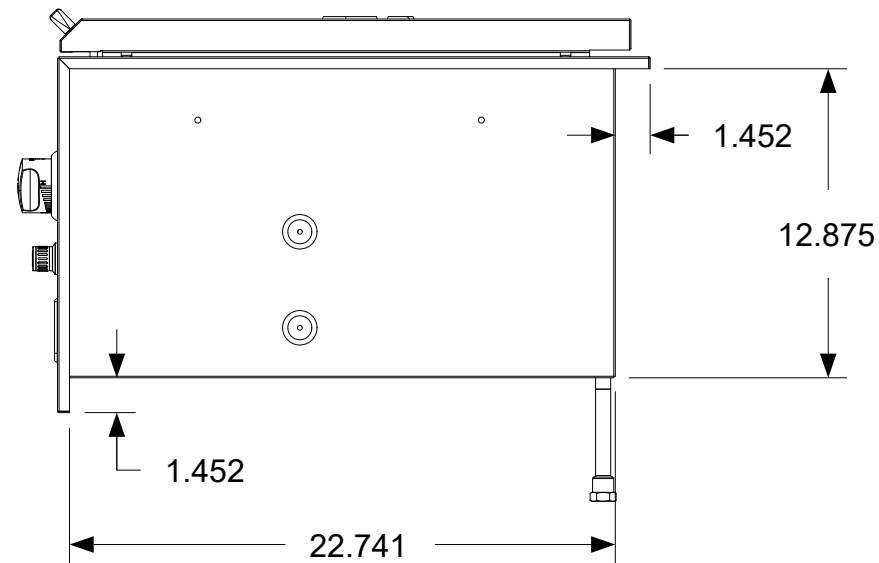
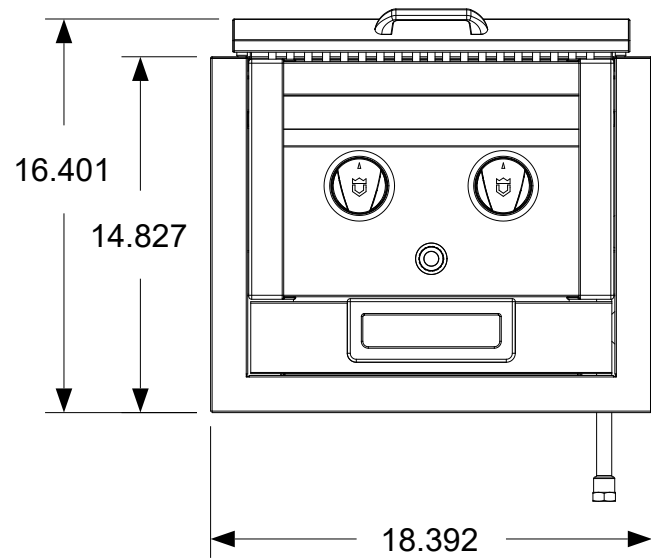
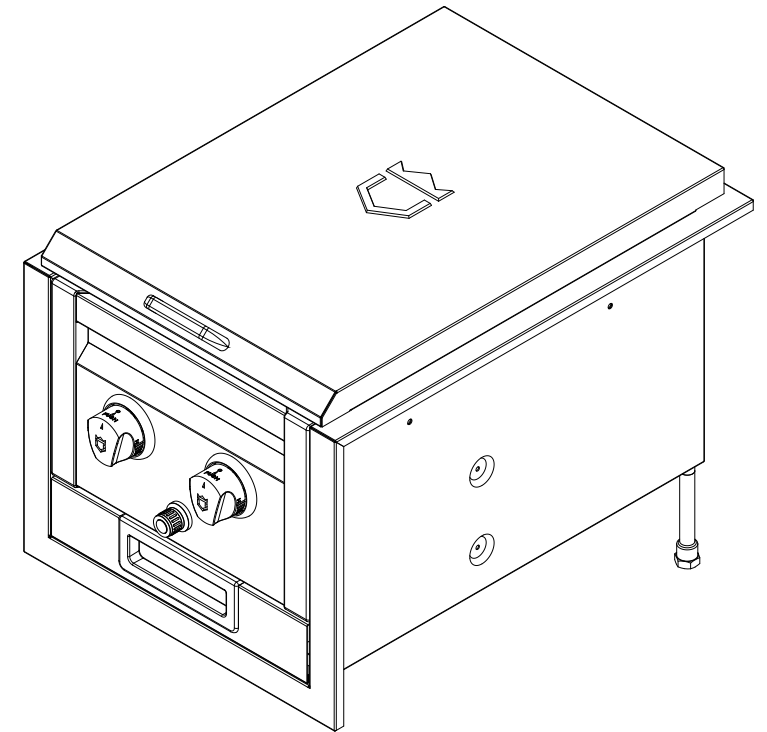
**CROWN VERITY**  
 37 Adams Blvd., Brantford, Ontario, N3S 7V8  
 P: (519) 751-1800 www.crownverity.com

TITLE			
Infinite Built-In Side Burner			
SIZE	Customer	DWG NO	REV
B	Crown Verity	IBISB(NG/LP)	-
SCALE	1:6	01/01/2020	SHEET 1 of 2

REVISION HISTORY			
REV	DESCRIPTION	DATE	APPROVED
-	Engineering Release	01/01/2020	Todd Stone



Dimensions shown are actual physical dimensions. Additional clearances to the cabinetry are dependent on the tolerances of the cut-out. The suggested cut-out dimensions are listed in the chart below but these dimensions can be reduced if the tolerances are controlled. Please refer to the installation manual for additional clearances to combustibles and installation instructions.



Supply connection point for both Natural Gas and Propane



37 Adams Blvd., Brantford, Ontario, N3S 7V8  
P: (519) 751-1800 www.crownverity.com

Suggested Cut-out Dimensions	
Height	13.125
Width	16.000
Depth	23.000
Material	SS 304

Dimensions are in inches  
Linear Tolerance: +/- .015  
Bend Tolerance: +/- .020  
Angular Tolerance: +/- 0.5  
Radial Tolerance: +/- .005

DRAWN BY: Todd Stone

TITLE Infinite Built-In Side Burner

SIZE	Customer	DWG NO	REV
B	Crown Verity	IBISB(NG/LP)	-
SCALE	1:8	01/01/2020	SHEET 2 of 2