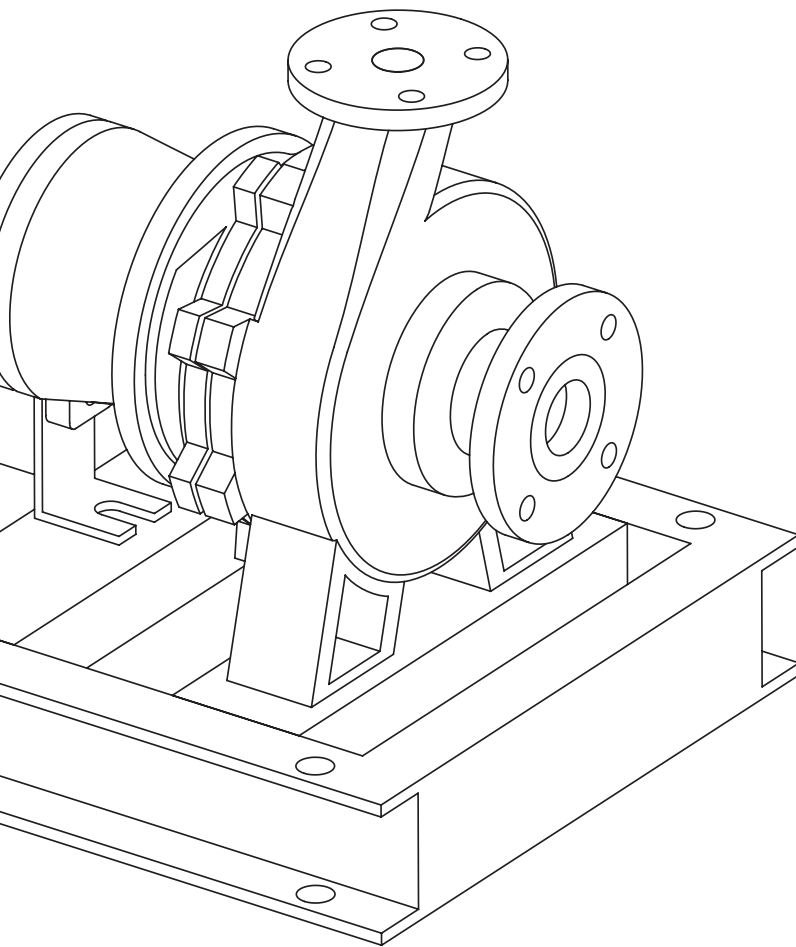


Series 4030 base mounted pumps

Centerline discharge
S designation



Parts list

7/8" impeller bore
1 1/4" mechanical seal

File No: 6040.120
Date: OCTOBER 07, 2015
Supersedes: 6040.120
Date: JULY 07, 2014

4030 BEARING FRAMES UTILIZATION CHART (60 Hz)

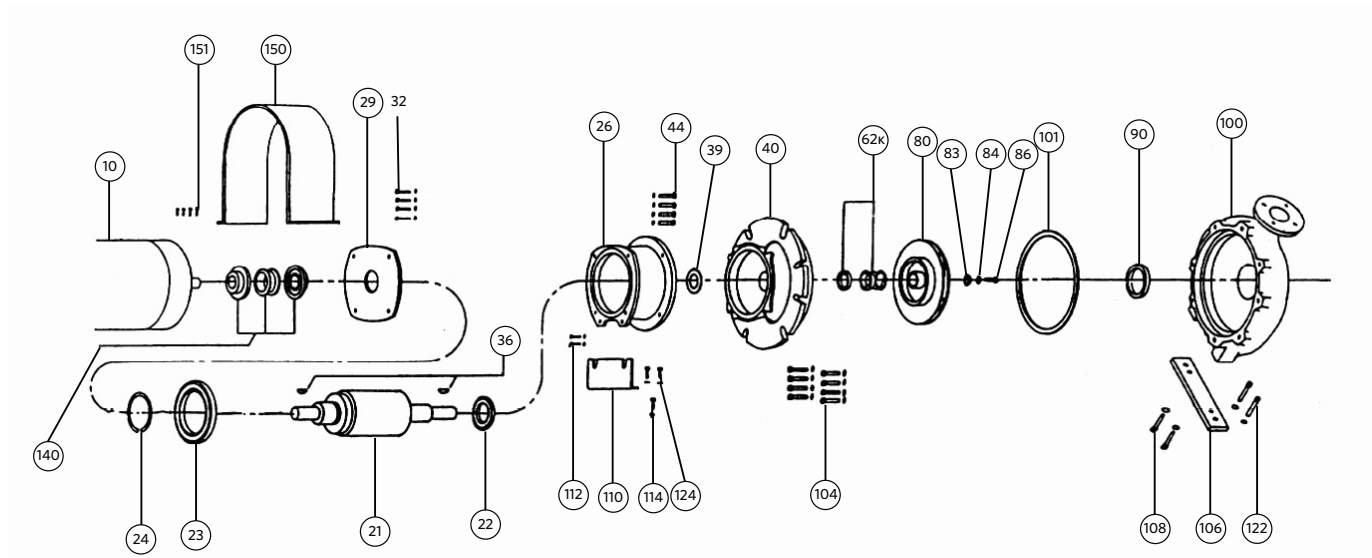
MOTOR HP	1150 RPM		0.5		0.75		1		1.5		2		3		5		7.5		10		15		20		25		30		3500 RPM		1750 RPM		1150 RPM				
	PUMP SIZE	ODP MOTOR FRAME NO.	1.5	2 & 3	1.5 & 2	3	5	7.5	10	15	20	25	30	40	284T	286T	324T	326T	364T	365T	364T	365T	364T	365T	364T	365T	364T	365T	364T	365T	364T	365T	364T	365T			
1.5 x 1 x 6	S	S	S	S	S	S	S	S	S	S	S	S	S	S	S	S	S	S	S	S	S	S	S	S	S	S	S	S	S	S	S	S	S	S	S		
3 x 1.5 x 6	S	S	S	S	S	S	S	S	S	S	S	S	S	S	S	S	S	S	S	S	S	S	S	S	S	S	S	S	S	S	S	S	S	S	S		
3 x 2 x 6	S	S	S	S	S	S	S	S	S	S	S	S	S	S	S	S	S	S	S	S	S	S	S	S	S	S	S	S	S	S	S	S	S	S	S	S	
3 x 2.5 x 6	S	S	S	S	S	S	S	S	S	S	S	S	S	S	S	S	S	S	S	S	S	S	S	S	S	S	S	S	S	S	S	S	S	S	S	S	
4 x 3 x 6	S	S	S	S	S	S	S	S	S	S	S	S	S	S	S	S	S	S	S	S	S	S	S	S	S	S	S	S	S	S	S	S	S	S	S	S	
6 x 6 x 6	S	S	S	S	S	S	S	S	S	S	S	S	S	S	S	S	S	S	S	S	S	S	S	S	S	S	S	S	S	S	S	S	S	S	S	S	
1.5 x 1 x 8	S	S	S	S	S	S	S	S	S	S	S	S	S	S	S	S	S	S	S	S	S	S	S	S	S	S	S	S	S	S	S	S	S	S	S	S	
3 x 1.5 x 8	S	S	S	S	S	S	S	S	S	S	S	S	S	S	S	S	S	S	S	S	S	S	S	S	S	S	S	S	S	S	S	S	S	S	S	S	
3 x 2 x 8	S	S	S	S	S	S	S	S	S	S	S	S	S	S	S	S	S	S	S	S	S	S	S	S	S	S	S	S	S	S	S	S	S	S	S	S	
3 x 2.5 x 8	S	S	S	S	S	S	S	S	S	S	S	S	S	S	S	S	S	S	S	S	S	S	S	S	S	S	S	S	S	S	S	S	S	S	S	S	
4 x 3 x 8	S	S	S	S	S	S	S	S	S	S	S	S	S	S	S	S	S	S	S	S	S	S	S	S	S	S	S	S	S	S	S	S	S	S	S	S	
5 x 4 x 8W	S	S	S	S	S	S	S	S	S	S	S	S	S	S	S	S	S	S	S	S	S	S	S	S	S	S	S	S	S	S	S	S	S	S	S	S	
6 x 4 x 8W	S	S	S	S	S	S	S	S	S	S	S	S	S	S	S	S	S	S	S	S	S	S	S	S	S	S	S	S	S	S	S	S	S	S	S	S	
6 x 5 x 8	S	S	S	S	S	S	S	S	S	S	S	S	S	S	S	S	S	S	S	S	S	S	S	S	S	S	S	S	S	S	S	S	S	S	S	S	
8 x 8 x 8	S	S	S	S	S	S	S	S	S	S	S	S	S	S	S	S	S	S	S	S	S	S	S	S	S	S	S	S	S	S	S	S	S	S	S	S	
2 x 1 x 10	S	S	S	S	S	S	S	S	S	S	S	S	S	S	S	S	S	S	S	S	S	S	S	S	S	S	S	S	S	S	S	S	S	S	S	S	
2 x 1.5 x 10	S	S	S	S	S	S	S	S	S	S	S	S	S	S	S	S	S	S	S	S	S	S	S	S	S	S	S	S	S	S	S	S	S	S	S	S	
3 x 1.5 x 10	S	S	S	S	S	S	S	S	S	S	S	S	S	S	S	S	S	S	S	S	S	S	S	S	S	S	S	S	S	S	S	S	S	S	S	S	
3 x 2 x 10	S	S	S	S	S	S	S	S	S	S	S	S	S	S	S	S	S	S	S	S	S	S	S	S	S	S	S	S	S	S	S	S	S	S	S	S	
3 x 2.5 x 10	S	S	S	S	S	S	S	S	S	S	S	S	S	S	S	S	S	S	S	S	S	S	S	S	S	S	S	S	S	S	S	S	S	S	S	S	
4 x 3 x 10	S	S	S	S	S	S	S	S	S	S	S	S	S	S	S	S	S	S	S	S	S	S	S	S	S	S	S	S	S	S	S	S	S	S	S	S	
5 x 4 x 10	S	S	S	S	S	S	S	S	S	S	S	S	S	S	S	S	S	S	S	S	S	S	S	S	S	S	S	S	S	S	S	S	S	S	S	S	
6 x 4 x 10	S	S	S	S	S	S	S	S	S	S	S	S	S	S	S	S	S	S	S	S	S	S	S	S	S	S	S	S	S	S	S	S	S	S	S	S	
6 x 5 x 10	S	S	S	S	S	S	S	S	S	S	S	S	S	S	S	S	S	S	S	S	S	S	S	S	S	S	S	S	S	S	S	S	S	S	S	S	
8 x 6 x 10W	S	S	S	S	S	S	S	S	S	S	S	S	S	S	S	S	S	S	S	S	S	S	S	S	S	S	S	S	S	S	S	S	S	S	S	S	
4 x 3 x 11.5	S	S	S	S	S	S	S	S	S	S	S	S	S	S	S	S	S	S	S	S	S	S	S	S	S	S	S	S	S	S	S	S	S	S	S	S	
5 x 4 x 11.5	S	S	S	S	S	S	S	S	S	S	S	S	S	S	S	S	S	S	S	S	S	S	S	S	S	S	S	S	S	S	S	S	S	S	S	S	
6 x 5 x 11.5	S	S	S	S	S	S	S	S	S	S	S	S	S	S	S	S	S	S	S	S	S	S	S	S	S	S	S	S	S	S	S	S	S	S	S	S	
8 x 6 x 11.5	S	S	S	S	S	S	S	S	S	S	S	S	S	S	S	S	S	S	S	S	S	S	S	S	S	S	S	S	S	S	S	S	S	S	S	S	
3 x 1.5 x 13	S	S	S	S	S	S	S	S	S	S	S	S	S	S	S	S	S	S	S	S	S	S	S	S	S	S	S	S	S	S	S	S	S	S	S	S	
3 x 2 x 13	S	S	S	S	S	S	S	S	S	S	S	S	S	S	S	S	S	S	S	S	S	S	S	S	S	S	S	S	S	S	S	S	S	S	S	S	
4 x 3 x 13	S	S	S	S	S	S	S	S	S	S	S	S	S	S	S	S	S	S	S	S	S	S	S	S	S	S	S	S	S	S	S	S	S	S	S	S	
4 x 3 x 13L	S	S	S	S	S	S	S	S	S	S	S	S	S	S	S	S	S	S	S	S	S	S	S	S	S	S	S	S	S	S	S	S	S	S	S	S	S
6 x 4 x 13	S	S	S	S	S	S	S	S	S	S	S	S	S	S	S	S	S	S	S	S	S	S	S	S	S	S	S	S	S	S	S	S	S	S	S	S	S
6 x 4 x 13H	S	S	S	S	S	S	S	S	S	S	S	S	S	S	S	S	S	S	S	S	S	S	S	S	S	S	S	S	S	S	S	S	S	S	S	S	S
6 x 5 x 13	S	S	S	S	S	S	S	S	S	S	S	S	S	S	S	S	S	S	S	S	S	S	S	S	S	S	S	S	S	S	S	S	S	S	S	S	S
6 x 5 x 13H	S	S	S	S	S	S	S	S	S	S	S	S	S	S	S	S	S	S	S	S	S	S	S	S	S	S	S	S	S	S	S	S	S	S	S	S	
8 x 6 x 13	S	S	S	S	S	S	S	S	S	S	S	S	S	S	S	S	S	S	S	S	S	S	S	S	S	S	S	S	S	S	S	S	S	S	S	S	
10 x 8 x 13	S	S	S	S	S	S	S	S	S	S	S	S	S	S	S	S	S	S	S	S	S	S	S	S	S	S	S	S	S	S	S	S	S	S	S	S	
8 x 6 x 15	S	S	S	S	S	S	S	S	S	S	S	S	S	S	S	S	S	S	S	S	S	S	S	S	S	S	S	S	S	S	S	S	S	S	S	S	
10 x 8 x 15	S	S	S	S	S	S	S	S	S	S	S	S	S	S	S	S	S	S	S	S	S	S	S	S	S	S	S	S	S	S	S	S	S	S	S	S	

LEGEND	DESCRIPTION	IMPELLER BORE	MECHANICAL SEAL SIZE	LUBRICATION	LUBE OPTIONS
S	Small bearing frame	7/8" (0.875")	1 1/4" (1.25")	Permanently greased	Regrease, oil
M	Medium bearing frame	1 1/4" (1.25")	1 5/8" (1.625")	Permanently greased	Regrease, oil
MHD	Medium heavy-duty bearing frame	1 1/4" (1.25")	1 5/8" (1.625")	Re-greasable	Oil
L	Large bearing frame	1 5/8" (1.625")	2 1/8" (2.125")	Oil	-

NOTE: *When replacing old M oil - lubricated bearing frames, update with new design MHD bearing frame with double row bearings.

S DESIGNATION

Exploded view - permanent grease lubrication



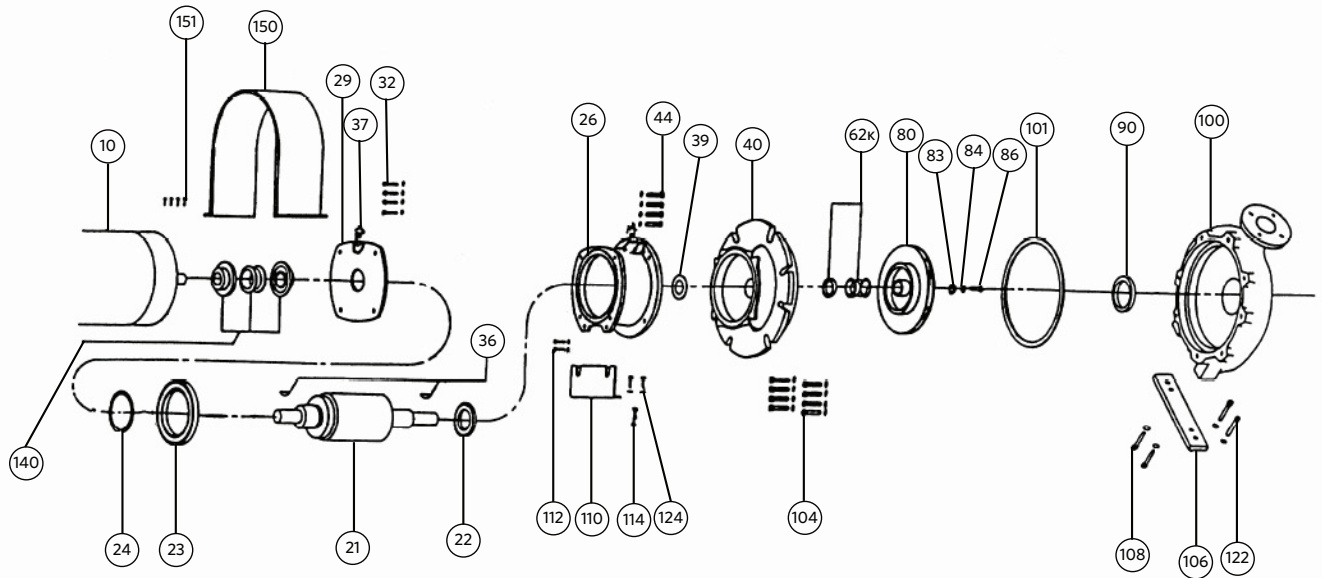
INDEX

ITEM	DESCRIPTION	PAGE
	Bearing frame assembly	18
20	Bearing housing	18
21	Shaft assembly	18
22	Ball bearing (inboard)	18
23	Ball bearing (outboard)	18
24	Snap ring	18
29	Bearing cover	18
32	Bearing cover capscrew	18
36	Impeller/coupler key	18
39	Water slinger	18
40	Adapter	13
44	Adapter capscrew	17
62k	Mechanical seal assembly	18

ITEM	DESCRIPTION	PAGE
80	Impeller	10
83	Impeller washer	18
86	Impeller capscrew	18
100	Casing	7
101	Casing gasket	16
104	Casing bolts	12
106	Casing support foot	24
108	Casing support foot capscrew	26
110	Bearing housing support foot	24
112	Support foot capscrew (upper)	25
122	Casing capscrew	27
124	Support foot capscrew (lower)	25
140	Coupler	28

S DESIGNATION

Exploded view - regreaseable bearings



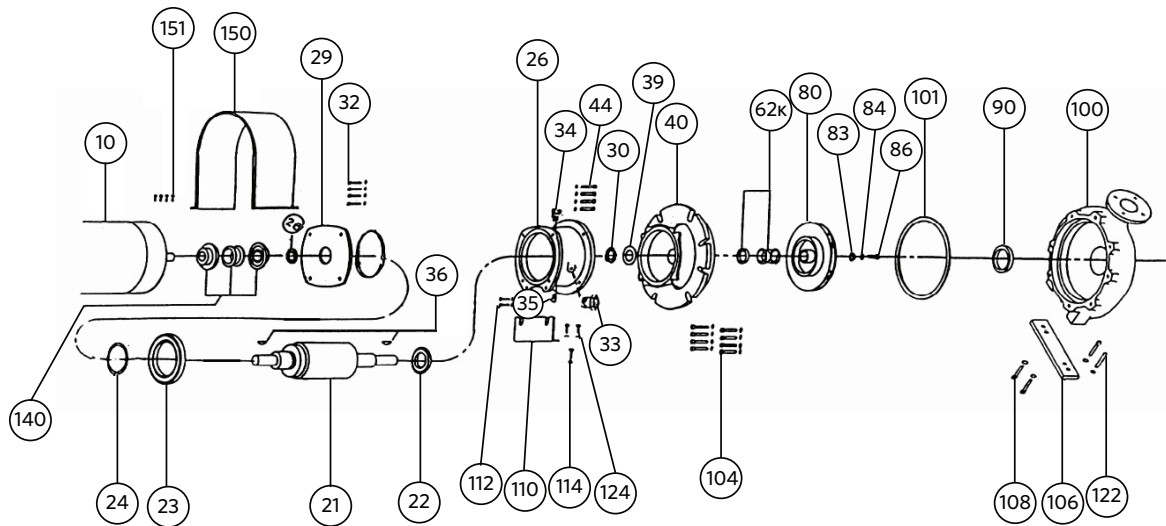
INDEX

ITEM	DESCRIPTION	PAGE
	Bearing frame assembly	20
20	Bearing housing	20
21	Shaft assembly	20
22	Ball bearing (inboard)	20
23	Ball bearing (outboard)	20
24	Snap ring	20
29	Bearing cover	20
32	Bearing cover cap screw	20
36	Impeller/coupler key	20
37	Grease fitting	20
39	Water slinger	20
40	Adapter	13
44	Adapter cap screw	17

ITEM	DESCRIPTION	PAGE
62K	Mechanical seal assembly	20
80	Impeller	10
83	Impeller washer	20
86	Impeller capscrew	20
100	Casing	7
101	Casing gasket	16
104	Casing bolts	12
106	Casing support foot	24
108	Casing support foot cap screw	26
110	Bearing housing support foot	24
112	Support foot cap screw (upper)	25
122	Casing cap screw	27
124	Support foot cap screw (lower)	25
140	Coupler	28

S DESIGNATION

Exploded view - oil lubrication

**INDEX**

ITEM	DESCRIPTION	PAGE
	Bearing frame assembly	22
20	Bearing housing	22
21	Shaft assembly	22
22	Ball bearing (inboard)	22
23	Ball bearing (outboard)	22
24	Snap ring	22
28	Oil seal (outboard)	22
29	Bearing cover	22
30	Oil seal (inboard)	22
31	O - ring	22
32	Bearing cover capscrew	22
33	Oil view gauge	22
34	Vent gauge	22
35	Pipe plug	22
36	Impeller/coupler key	22
39	Water slinger	22

ITEM	DESCRIPTION	PAGE
40	Adapter	13
44	Adapter capscrew	17
62K	Mechanical seal assembly	22
80	Impeller	10
83	Impeller washer	22
86	Impeller capscrew	22
100	Casing	7
101	Casing gasket	16
104	Casing bolts	12
106	Casing support foot	24
108	Casing support foot capscrew	26
110	Bearing housing support foot	24
112	Support foot capscrew (upper)	25
122	Casing capscrew	27
124	Support foot capscrew (lower)	25
140	Coupler	28

ITEM 100: CASING

PUMP SIZE	PRESSURE RATING (LB)	CONSTRUCTION	PART NUMBER
1.5 × 1 × 6	125	Cast iron	426101-011
	250	Ductile iron	426102-031
	125	All bronze	426101-041
3 × 1.5 × 6	125	Cast iron	426597-011
	250	Ductile iron	426598-031
	125	All bronze	426597-041
3 × 2 × 6	125	Cast iron	426109-011
	250	Ductile iron	426110-031
	125	All bronze	426109-041
3 × 2.5 × 6	125	Cast iron	427107-011
	250	Ductile iron	427108-031
	125	All bronze	427107-041
4 × 3 × 6	125	Cast iron	427292-011
	250	Ductile iron	427292-031
	125	All bronze	427292-041
6 × 6 × 6	125	Cast iron	427907-041
	250	Ductile iron	427908-031
	125	All bronze	427907-041
1.5 × 1 × 8	125	Cast iron	426188-011
	250	Ductile iron	426189-031
	125	All bronze	426188-041
3 × 1.5 × 8	125	Cast iron	426599-011
	250	Ductile iron	426600-031
	125	All bronze	426599-041
3 × 2 × 8	125	Cast iron	426125-011
	250	Ductile iron	426126-031
	125	All bronze	426125-041

ITEM 100: CASING (continued)

PUMP SIZE	PRESSURE RATING (LB)	CONSTRUCTION	PART NUMBER
3 × 2.5 × 8	125	Cast iron	427236-011
	250	Ductile iron	427237-031
	125	All bronze	427236-041
4 × 3 × 8	125	Cast iron	426129-011
	250	Ductile iron	426130-031
	125	All bronze	426129-041
5 × 4 × 8	125	Cast iron	426107-011
	250	Ductile iron	426108-031
	125	All bronze	426107-041
6 × 4 × 8w	125	Cast iron	426624-011
	250	Ductile iron	426625-031
	125	All bronze	426624-041
8 × 8 × 8	125	Cast iron	427913-011
	250	Ductile iron	427913-031
	125	All bronze	427913-041
2 × 1 × 10	125	Cast iron	426137-011
	250	Ductile iron	426138-031
	125	All bronze	426137-041
2 × 1.5 × 10	125	Cast iron	426259-011
	250	Ductile iron	426260-031
	125	All bronze	426259-041
3 × 1.5 × 10	125	Cast iron	426139-011
	250	Ductile iron	426140-031
	125	All bronze	426139-041

ITEM 100: CASING (continued)

PUMP SIZE	PRESSURE RATING (LB)	CONSTRUCTION	PART NUMBER
3 × 2 × 10	125	Cast iron	426143-011
	250	Ductile iron	426144-031
	125	All bronze	426143-041
3 × 2.5 × 10	125	Cast iron	427290-011
	250	Ductile iron	427291-031
	125	All bronze	427290-041
4 × 3 × 10	125	Cast iron	426149-011
	250	Ductile iron	426150-031
	125	All bronze	426149-041
5 × 4 × 10** (PRE AUGUST 2015)	125	Bronze fitted	426111-011
	250	Ductile iron	426112-031
	125	All bronze	426111-041
5 × 4 × 10** (POST AUGUST 2015)	125	Bronze fitted	426134-011
	250	Ductile iron	426135-031
6 × 4 × 10	125	Cast iron	426153-011
	250	Ductile iron	426154-011
	125	All bronze	426153-041
6 × 5 × 10	125	Cast iron	427238-011
	250	Ductile iron	427239-041
	125	All bronze	427238-041
4 × 3 × 11.5	125	Cast iron	426147-011
	250	Ductile iron	426148-031
	125	All bronze	426147-041
5 × 4 × 11.5	125	Cast iron	426151-011
	250	Ductile iron	426152-031
	125	All bronze	426152-041

NOTE:

** For the 5×4×10 pump, there was a revision to the the casing and impeller done in August 2015. These two parts are not interchangeable between the old and new pumps. Please consult your Armstrong representative if you need extra assistance

ITEM 80: IMPELLER*

PUMP SIZE	CONSTRUCTION**	PART NUMBER
1.5 × 1 × 6	Bronze fitted & all bronze	427101-041
	Ductile iron & all iron	427101-011
3 × 1.5 × 6	Bronze fitted & all bronze	427109-041
	Ductile iron & all iron	427109-011
3 × 2 × 6	Bronze fitted & all bronze	427111-041
	Ductile iron & all iron	427111-011
3 × 2.5 × 6	Bronze fitted & all bronze	427103-041
	Ductile iron & all iron	427103-011
4 × 3 × 6	Bronze fitted & all bronze	427117-041
	Ductile iron & all iron	427117-011
6 × 6 × 6	Bronze fitted & all bronze	427909-041
	Ductile iron & all iron	427909-011
1.5 × 1 × 8	Bronze fitted & all bronze	426228-041
	Ductile iron & all iron	426228-011
3 × 1.5 × 8	Bronze fitted & all bronze	427121-041
	Ductile iron & all iron	427121-011
3 × 2 × 8	Bronze fitted & all bronze	427125-041
	Ductile iron & all iron	427125-011
3 × 2.5 × 8	Bronze fitted & all bronze	427127-041
	Ductile iron & all iron	427127-011
4 × 3 × 8	Bronze fitted & all bronze	427129-041
	Ductile iron & all iron	427129-011
5 × 4 × 8	Bronze fitted & all bronze	427137-041
	Ductile iron & all iron	427137-011
6 × 4 × 8w	Bronze fitted & all bronze	427137-041
	Ductile iron & all iron	427137-011
8 × 8 × 8	Bronze fitted & all bronze	427917-041
	Ductile iron & all iron	427917-041

ITEM 80: IMPELLER* (continued)

PUMP SIZE	CONSTRUCTION**	PART NUMBER
2 × 1 × 10	Bronze fitted & all bronze	427151-041
	Ductile iron & all iron	427151-011
2 × 1.5 × 10	Bronze fitted & all bronze	426255-041
	Ductile iron & all iron	426255-011
3 × 1.5 × 10	Bronze fitted & all bronze	427151-041
	Ductile iron & all iron	427151-011
3 × 2 × 10	Bronze fitted & all bronze	427163-041
	Ductile iron & all iron	427163-011
3 × 2.5 × 10	Bronze fitted & all bronze	427123-041
	Ductile iron & all iron	427123-011
4 × 3 × 10	Bronze fitted & all bronze	427149-041
	Ductile iron & all iron	427149-011
5 × 4 × 10*** (PRE AUGUST 2015)	Bronze fitted & all bronze	427153-041
	Ductile iron & all iron	427153-011
5 × 4 × 10*** (POST AUGUST 2015)	Bronze fitted & all bronze	426271-041
	Ductile iron & all iron	426271-011
6 × 4 × 10	Bronze fitted & all bronze	427153-041
	Ductile iron & all iron	427153-011
6 × 5 × 10	Bronze fitted & all bronze	427159-041
	Ductile iron & all iron	427159-011
4 × 3 × 11.5	Bronze fitted & all bronze	426281-041
	Ductile iron & all iron	426281-011
5 × 4 × 11.5	Bronze fitted & all bronze	426283-041
	Ductile iron & all iron	426283-011

NOTE:

- * Impeller part numbers are for unbalanced, full diameter impellers. Always specify the Pump serial number. If possible, measure the diameter of the impeller being replaced.
- ** All Bronze construction: Parts in contact with the pumped liquid are bronze, copper or stainless steel.
Bronze Fitted construction: Parts in contact with the pumped liquid are bronze or copper, except casing and adapter.
All Iron construction: Parts in contact with the pumped liquid are cast iron or steel, except shaft sleeve & mechanical seal.

- *** For the 5×4×10 pump, there was a revision to the the casing and impeller done in August 2015. These two parts are not interchangeable between the old and new pumps. Please consult your Armstrong representative if you need extra assistance.

ITEM 104: CASING CAPSCREW & WASHER

PUMP SIZE	AMOUNT REQUIRED	SIZE	PART NUMBER
1.5 × 1 × 6 3 × 1.5 × 6 3 × 2 × 6	8	CAPSCREW ½" - 13NC × 1¼" LG.	911125-110
3 × 2.5 × 6 4 × 3 × 6 6 × 6 × 6	8	WASHER ½" - SAE FLAT	927117-100
1.5 × 1 × 8	8	HX. HD. CAPSCREW ⅝" - 11NC × 1½" LG.	911129-112
3 × 1.5 × 8	8	WASHER ⅝" - SAE FLAT	927121-100
3 × 2 × 8 3 × 2.5 × 8 4 × 3 × 8	8	HX. HD. CAPSCREW ⅝" - 11NC × 1½" LG.	911129-112
5 × 4 × 8 6 × 4 × 8 8 × 8 × 8	8	WASHER ⅝" - SAE FLAT	927121-100
2 × 1 × 10 2 × 1.5 × 10 3 × 1.5 × 10 3 × 2 × 10 3 × 2.5 × 10	12	HX. HD. CAPSCREW ⅝" - 11NC × 1½" LG.	911129-112
4 × 3 × 10 5 × 4 × 10 6 × 4 × 10 6 × 5 × 10	12	WASHER ⅝" - SAE FLAT	927121-100
4 × 3 × 11.5	16	HX. HD. CAPSCREW ⅝" - 11NC × 1½" LG.	911125-112
5 × 4 × 11.5	16	WASHER ½" - SAE FLAT	927117-100

ITEM 40: ADAPTER

125 LB - bronze fitted and all iron construction

PUMP SIZE	FRAME 56 143 - 184T	FRAMES 213 - 215T	FRAMES 254 - 256T
1.5 × 1 × 6	426746-011	426746-011	—
3 × 1.5 × 6	426746-011	426746-011	—
3 × 2 × 6	426746-011	426746-011	—
3 × 2.5 × 6	426746-011	426746-011	—
4 × 3 × 6	426746-011	426746-011	—
6 × 6 × 6	426746-011	426746-011	—
1.5 × 1 × 8	426749-011	426749-011	—
3 × 1.5 × 8	426749-011	426749-011	426749-011
3 × 2 × 8	426749-011	426749-011	426749-011
3 × 2.5 × 8	426749-011	426749-011	426749-011
4 × 3 × 8	426749-011	426749-011	—
5 × 4 × 8	426749-011	426749-011	—
6 × 4 × 8w	426749-011	426749-011	—
8 × 8 × 8	426749-011	—	—
2 × 1 × 10	426753-011	426753-011	—
2 × 1.5 × 10	426753-011	426753-011	—
3 × 1.5 × 10	426753-011	426753-011	—
3 × 2 × 10	426753-011	426753-011	—
3 × 2.5 × 10	426753-011	426753-011	—
4 × 3 × 10	426753-011	426753-011	426753-011
5 × 4 × 10	426753-011	426753-011	426753-011
6 × 4 × 10	426753-011	426753-011	426753-011
6 × 5 × 10	426753-011	426753-011	426753-011
4 × 3 × 11.5	—	426741-011	426741-011
5 × 4 × 11.5	—	426741-011	426741-011

14

ITEM 40: ADAPTER (continued)

125 LB - all bronze construction

PUMP SIZE	FRAME 56 143 - 184T	FRAMES 213 - 215T	FRAMES 254 - 256T
1.5 × 1 × 6	426746-041	426746-041	—
3 × 1.5 × 6	426746-041	426746-041	—
3 × 2 × 6	426746-041	426746-041	—
3 × 2.5 × 6	426746-041	426746-041	—
4 × 3 × 6	426746-041	426746-041	—
6 × 6 × 6	426746-041	426746-041	—
1.5 × 1 × 8	426749-041	426749-041	—
3 × 1.5 × 8	426749-041	426749-041	426749-041
3 × 2 × 8	426749-041	426749-041	426749-041
3 × 2.5 × 8	426749-041	426749-041	426749-041
4 × 3 × 8	426749-041	426749-041	—
5 × 4 × 8	426749-041	426749-041	—
6 × 4 × 8w	426749-041	426749-041	—
8 × 8 × 8	426749-041	—	—
2 × 1 × 10	426753-041	426753-041	—
2 × 1.5 × 10	426753-041	426753-041	—
3 × 1.5 × 10	426753-041	426753-041	—
3 × 2 × 10	426753-041	426753-041	—
3 × 2.5 × 10	426753-041	426753-041	—
4 × 3 × 10	426753-041	426753-041	426753-041
5 × 4 × 10	426753-041	426753-041	426753-041
6 × 4 × 10	426753-041	426753-041	426753-041
6 × 5 × 10	426753-041	426753-041	426753-041
4 × 3 × 11.5	—	426741-041	426741-041
5 × 4 × 11.5	—	426741-041	426741-041

ITEM 40: ADAPTER (continued)

150 LB - ductile iron construction

PUMP SIZE	FRAME 56 143 - 184T	FRAMES 213 - 215T	FRAMES 254 - 256T
1.5 × 1 × 6	426746-031	426746-031	—
3 × 1.5 × 6	426746-031	426746-031	—
3 × 2 × 6	426746-031	426746-031	—
3 × 2.5 × 6	426746-031	426746-031	—
4 × 3 × 6	426746-031	426746-031	—
6 × 6 × 6	426746-031	426746-031	—
1.5 × 1 × 8	426749-031	426749-031	—
3 × 1.5 × 8	426749-031	426749-031	426749-031
3 × 2 × 8	426749-031	426749-031	426749-031
3 × 2.5 × 8	426749-031	426749-031	426749-031
4 × 3 × 8	426749-031	426749-031	—
5 × 4 × 8	426749-031	426749-031	—
6 × 4 × 8w	426749-031	426749-031	—
8 × 8 × 8	426749-031	—	—
2 × 1 × 10	426753-031	426753-031	—
2 × 1.5 × 10	426753-031	426753-031	—
3 × 1.5 × 10	426753-031	426753-031	—
3 × 2 × 10	426753-031	426753-031	—
3 × 2.5 × 10	426753-031	426753-031	—
4 × 3 × 10	426753-031	426753-031	426753-031
5 × 4 × 10	426753-031	426753-031	426753-031
6 × 4 × 10	426753-031	426753-031	426753-031
6 × 5 × 10	426753-031	426753-031	426753-031
4 × 3 × 11.5	—	426741-031	426741-031
5 × 4 × 11.5	—	426741-031	426741-031

ITEM 101: CASING GASKET

PUMP SIZE	DIMENSIONS O.D. x I.D. x THICKNESS	PART NUMBER
1.5 x 1 x 6 3 x 1.5 x 6 3 x 2 x 6 3 x 2.5 x 6 4 x 3 x 6 6 x 6 x 6	7 1/16" x 8 1/4" x 1/16"	426401-002
1.5 x 1 x 8 3 x 1.5 x 8 3 x 2 x 8 3 x 2.5 x 8 4 x 3 x 8 5 x 4 x 8 6 x 4 x 8w 8 x 8 x 8	9" x 8 1/4" x 1/16"	426401-003
2 x 1 x 10 2 x 1.5 x 10 3 x 1.5 x 10 3 x 2 x 10 3 x 2.5 x 10 4 x 3 x 10 5 x 4 x 10 6 x 4 x 10 6 x 5 x 10	10 5/16" x 10 3/16" x 1/16"	426401-004
4 x 3 x 11.5 5 x 4 x 11.5	12 7/16" x 11 9/16" x 1/16"	426401-006

ITEM 44: BEARING HOUSING CAPSCREW, WASHER & NUT

PUMP SIZE	AMOUNT REQUIRED	SIZE	PART NUMBER
1.5 × 1 × 6	4	CAPSCREW 3/8" - 16NC × 1 1/2" LG.	911121-112
3 × 1.5 × 6			
3 × 2 × 6			
3 × 2.5 × 6			
4 × 3 × 6			
6 × 6 × 6			
1.5 × 1 × 8	4	CAPSCREW 3/8" - 16NC × 1 1/2" LG.	911121-112
3 × 1.5 × 8			
3 × 2 × 8			
3 × 2.5 × 8			
4 × 3 × 8			
5 × 4 × 8	4	WASHER 3/8" - FLAT	927114-100
6 × 4 × 8w			
8 × 8 × 8			
2 × 1 × 10	4	WASHER 3/8" - FLAT	927114-100
2 × 1.5 × 10			
3 × 1.5 × 10			
3 × 2 × 10			
3 × 2.5 × 10			
4 × 3 × 10	4	NUT 3/8" - NC HEX. STD.	913121-100
5 × 4 × 10			
6 × 4 × 10			
6 × 5 × 10			
4 × 3 × 11.5	4	NUT 3/8" - NC HEX. STD.	913121-100
5 × 4 × 11.5			

PERMANENT GREASE LUBRICATION - STANDARD SHAFT**BEARING FRAME ASSEMBLY**

ITEM NUMBER	DESCRIPTION	PART NUMBER
	Bearing frame assembly ^①	826768-000
20	Bearing housing	426764-011
21	Shaft & sleeve assembly	426760-001
22	Inboard bearing	971101-364
23	Outboard bearing	971101-684
24	Snap ring	923109-008
29	Bearing cap	426766-011
32	Bearing capscrews 3/8-16 x 1 LG (4 REQ'D)	911121-108
36	Impeller key	428160-708
36	Coupler key	428160-712
39	Water slinger	406622-000

NOTE :

① Items 20 to 39 inclusive are included in the bearing frame assembly.

COMMON PARTS

ITEM NUMBER	DESCRIPTION	PART NUMBER BF, AB & AI
62κ	Mechanical seal assembly	975000-982**
83	Impeller washer	425742-001
86	S/S impeller capscrew	911900-114

** For liquids above 200°F/93°C use 9975001-813 (-613 if potable drinking water above 200°F/93°C)
For glycols above 30% by weight use 9975001-817 (-818 if above 200°F/93°C)

PERMANENT GREASE LUBRICATION - STAINLESS STEEL SHAFT

BEARING FRAME ASSEMBLY

ITEM NUMBER	DESCRIPTION	PART NUMBER
	Bearing frame assembly ①	426768-071
20	Bearing housing	426764-011
21	Shaft & sleeve assembly	426760-071
22	Inboard bearing	971101-364
23	Outboard bearing	971101-684
24	Snap ring	923109-008
29	Bearing cap	426766-011
32	BEARING CAPSCREWS 3/8-16 × 1 LG (4 REQ'D)	911121-108
36	Impeller key	428160-708
36	Coupler key	428160-712
39	Water slinger	406622-000

NOTE :

① Items 20 to 39 inclusive are included in the bearing frame assembly.

COMMON PARTS

ITEM NUMBER	DESCRIPTION	PART NUMBER BF, AB & AI
62κ	Mechanical seal assembly	975000-982**
83	Impeller washer	425742-001
86	S/S impeller capscrew	911900-119

** For liquids above 200°F/93°C use 9975001-813 (-613 if potable drinking water above 200°F/93°C)
For glycols above 30% by weight use 9975001-817 (-818 if above 200°F/93°C)

REGREASEABLE BEARINGS - STANDARD SHAFT**BEARING FRAME ASSEMBLY**

ITEM NUMBER	DESCRIPTION	PART NUMBER
	Bearing frame assembly ^①	426769-000
20	Bearing housing	426764-012
21	Shaft & sleeve assembly	426760-001
22	Inboard bearing	971101-363
23	Outboard bearing	971101-683
24	Snap ring	923109-008
29	Bearing cap	426766-012
32	Bearing capscrews 3/8-16 × 1 LG (4 REQ'D)	911121-108
36	Impeller key	428160-708
36	Coupler key	428160-712
37	Grease fitting	425030-011
39	Water slinger	406622-000

NOTE :

① Items 20 to 39 inclusive are included in the bearing frame assembly.

COMMON PARTS

ITEM NUMBER	DESCRIPTION	PART NUMBER BF, AB & AI
62K	mechanical seal assembly	975000-982**
83	impeller washer	425742-001
86	S/S impeller capscrew	911900-119

** For liquids above 200°F/93°C use 9975001-813 (-613 if potable drinking water above 200°F/93°C)
For glycols above 30% by weight use 9975001-817 (-818 if above 200°F/93°C)

REGREASEABLE BEARINGS - STAINLESS STEEL SHAFT

BEARING FRAME ASSEMBLY

ITEM NUMBER	DESCRIPTION	PART NUMBER
	Bearing frame assembly ^①	426769-071
20	Bearing housing	426764-012
21	Shaft & sleeve assembly	426760-071
22	Inboard bearing	971101-363
23	Outboard bearing	971101-683
24	Snap ring	923109-008
29	Bearing cap	426766-012
32	Bearing capscrews 3/8-16 × 1 LG (4 REQ'D)	911121-108
36	Impeller key	428160-708
36	Coupler key	428160-712
37	Grease fitting (2 REQ'D)	425030-011
39	Water slinger	406622-000

NOTE :

① Items 20 to 39 inclusive are included in the bearing frame assembly.

COMMON PARTS

ITEM NUMBER	DESCRIPTION	PART NUMBER BF, AB & AI
62K	Mechanical seal assembly	975000-982**
83	Impeller washer	425742-001
86	S/S impeller capscrew	911900-119

** For liquids above 200°F/93°C use 9975001-813 (-613 if potable drinking water above 200°F/93°C)
For glycols above 30% by weight use 9975001-817 (-818 if above 200°F/93°C)

OIL LUBRICATION - STANDARD SHAFT**BEARING FRAME ASSEMBLY**

ITEM NUMBER	DESCRIPTION	PART NUMBER
	Bearing frame assembly ①	426770-000
20	Bearing housing	426764-013
21	Shaft & sleeve assembly	426760-001
22	Inboard bearing	971101-915
23	Outboard bearing	971101-916
24	Snap ring	923109-008
28	Oil seal	965001-065
29	Bearing cap	426766-013
31	O-ring	961131-152
32	Bearing capscrews 3/8-16 × 1 LG (4 REQ'D)	911121-108
33	Oil view gauge	116904-000
34	Air vent	407444-000
35	Pipe plug	937105-200
36	Impeller key	428160-708
36	Coupler key	428160-712
39	Water slinger	406622-000

NOTE :

① Items 20 to 39 inclusive are included in the bearing frame assembly.

COMMON PARTS

ITEM NUMBER	DESCRIPTION	PART NUMBER BF, AB & AI
62κ	Mechanical seal assembly	975000-982**
83	Impeller washer	425742-001
86	S/S impeller capscrew	911900-119

** For liquids above 200°F/93°C use 9975001-813 (-613 if potable drinking water above 200°F/93°C)
For glycols above 30% by weight use 9975001-817 (-818 if above 200°F/93°C)

OIL LUBRICATION - STAINLESS STEEL SHAFT

BEARING FRAME ASSEMBLY

ITEM NUMBER	DESCRIPTION	PART NUMBER
	Bearing frame assembly ①	426770-071
20	Bearing housing	426764-013
21	Shaft & sleeve assembly	426760-071
22	Inboard bearing	971101-915
23	Outboard bearing	971101-916
24	Snap ring	923109-008
28	Oil seal	965001-065
29	Bearing cap	426766-013
31	O-ring	961131-152
32	Bearing capscrews 3/8-16 x 1 LG (4 REQ'D)	911121-108
33	Oil view gauge	116904-000
34	Air vent	407444-000
35	Pipe plug	937105-200
36	Impeller key	428160-708
36	Coupler key	428160-712
39	Water slinger	406622-000

NOTE :

① Items 20 to 39 inclusive are included in the bearing frame assembly.

COMMON PARTS

ITEM NUMBER	DESCRIPTION	PART NUMBER BF, AB & AI
62K	Mechanical seal assembly	975000-982**
83	Impeller washer	425742-001
86	S/S impeller capscrew	911900-119

** For liquids above 200°F/93°C use 9975001-813 (-613 if potable drinking water above 200°F/93°C)
For glycols above 30% by weight use 9975001-817 (-818 if above 200°F/93°C)

ITEM 110: BEARING HOUSING SUPPORT FOOT

PUMP SIZE	PART NUMBER
1.5 × 1 × 6	426999-001
3 × 1.5 × 6	426999-001
3 × 2 × 6	426999-002
3 × 2.5 × 6	426999-002
4 × 3 × 6	426999-002
6 × 6 × 6	426999-002
1.5 × 1 × 8	426999-001
3 × 1.5 × 8	426999-002
3 × 2 × 8	426999-003
3 × 2.5 × 8	426999-003
4 × 3 × 8	426999-003
5 × 4 × 8	426999-004
8 × 8 × 8	426999-006
6 × 4 × 8w	426999-004
2 × 1 × 10	426999-003
2 × 1.5 × 10	426999-003
3 × 1.5 × 10	426999-004
3 × 2 × 10	426999-004
3 × 2.5 × 10	426999-004
4 × 3 × 10	426999-004
5 × 4 × 10	426999-005
6 × 4 × 10	426999-005
6 × 5 × 10	426999-005
4 × 3 × 11.5	426999-004
5 × 4 × 11.5	426999-005

ITEM 106: CASING SUPPORT FOOT

PUMP SIZE	PART NUMBER
1.5 × 1 × 6	426551-000
3 × 1.5 × 6	426552-000
3 × 2 × 6	426554-000
3 × 2.5 × 6	426554-000
4 × 3 × 6	Not required
6 × 6 × 6	426554-000
1.5 × 1 × 8	426670-004
3 × 1.5 × 8	426554-000
3 × 2 × 8	426554-000
3 × 2.5 × 8	426554-000
4 × 3 × 8	426554-000
5 × 4 × 8	426554-000
6 × 4 × 8w	426554-000
8 × 8 × 8	Not required
2 × 1 × 10	426554-000
2 × 1.5 × 10	426554-000
3 × 1.5 × 10	Not required
3 × 2 × 10	Not required
3 × 2.5 × 10	Not required
4 × 3 × 10	Not required
5 × 4 × 10	Not required
6 × 4 × 10	Not required
6 × 5 × 10	Not required
4 × 3 × 11.5	Not required
5 × 4 × 11.5	Not required

ITEM 112: BEARING SUPPORT FOOT CAPSCREW (UPPER)

PUMP SIZE	AMOUNT REQUIRED	SIZE	PART NUMBER
ALL SIZES	1	½" - 13NC × 1" LG	911125-108

ITEM 112: BEARING SUPPORT FOOT CAPSCREW WASHER (UPPER)

PUMP SIZE	AMOUNT REQUIRED	SIZE	PART NUMBER
ALL SIZES	1	½" FLAT	927117-100

ITEM 124: BEARING SUPPORT FOOT CAPSCREW (LOWER)

PUMP SIZE	AMOUNT REQUIRED	SIZE	PART NUMBER
ALL SIZES	1	7/16" - 14NC × 1" LG	911123-216

ITEM 124: BEARING SUPPORT FOOT CAPSCREW WASHER (LOWER)

PUMP SIZE	AMOUNT REQUIRED	SIZE	PART NUMBER
ALL SIZES	1	7/16" FLAT	927116-100

ITEM 108: CASING SUPPORT FOOT CAPSCREW (TO CASING)

PUMP SIZE	AMOUNT REQUIRED	SIZE	PART NUMBER
1.5 × 1 × 6 3 × 1.5 × 6	1	5/16" - 16NC × 1" LG	911119-108
3 × 2 × 6 3 × 2.5 × 6 4 × 3 × 6 6 × 6 × 6	2	1/2" - 13NC × 1" LG	911125-108
1.5 × 1 × 8 3 × 1.5 × 8 3 × 2 × 8 3 × 2.5 × 8 4 × 3 × 8 5 × 4 × 8 6 × 4 × 8W 8 × 8 × 8	2	1/2" - 13NC × 1" LG	911125-108
2 × 1 × 10 2 × 1.5 × 10 3 × 1.5 × 10 3 × 2 × 10	2	1/2" - 13NC × 1" LG	911125-108
3 × 2.5 × 10 4 × 3 × 10 5 × 4 × 10 6 × 4 × 10 6 × 5 × 10		Not required	
4 × 3 × 11.5 5 × 4 × 11.5		Not required	

ITEM 122: CASING SUPPORT FOOT CAPSCREW & WASHER (1)

PUMP SIZE	AMOUNT REQUIRED	SIZE	PART NUMBER
1.5 × 1 × 6	2	7/16" - 11NC × 1 1/4" LG	911123-216
3 × 1.5 × 6			
3 × 2 × 6			
3 × 2.5 × 6			
4 × 3 × 6			
6 × 6 × 6			
*1.5 × 1 × 8	2	7/16" - 11NC × 1 1/4" LG	911123-216
3 × 1.5 × 8			
3 × 2 × 8			
3 × 2.5 × 8			
4 × 3 × 8			
5 × 4 × 8			
6 × 4 × 8w			
8 × 8 × 8			
2 × 1 × 10	2	7/16" - 11NC × 1 1/4" LG	911123-216
2 × 1.5 × 10			
3 × 1.5 × 10			
3 × 2 × 10	2	WASHER 7/16" FLAT	927116-100
3 × 2.5 × 10			
4 × 3 × 10			
5 × 4 × 10			
6 × 4 × 10			
6 × 5 × 10			
4 × 3 × 11.5	2	WASHER 7/16" FLAT	927116-100
5 × 4 × 11.5			

NOTE:

*For pumps 1 1/2 x 1 x 8, frames 56T, 143-145T & 182 - 184T, use 2 capscrews (7/16" - 11 NC x 2" LG.) - part number: 911123-116 and 2 washers (7/16" Flat) part number: 927116-100

COUPLER SELECTION TABLE (WOODS TYPE)

PUMP SHAFT SIZE	MOTOR FRAME SIZE	MOTOR SHAFT SIZE	COUPLER PART NUMBER	WOODS SIZE
7/8"	56	5/8"	827010-000	4J
7/8"	143T - 145T	7/8"	827011-000	4J
7/8"	182T - 184T	1 1/8"	827012-000	5J
7/8"	213T - 215T	1 3/8"	827013-000	6J
7/8"	254T - 256T	1 5/8"	827014-000	7J

COUPLER FLANGE PART NUMBERS

COUPLER PART NUMBER	MOTOR FRAME SIZE	FLANGE BORE	FLANGE PART NUMBER	WOODS SIZE
827010-000	56	5/8"	975000-822	4J
		7/8"	975000-823	4J
827011-000	143T - 145T	7/8"	975000-823	4J
		7/8"	975000-823	4J
827012-000	182T - 184T	1 1/8"	975000-829	5J
		7/8"	975000-827	5J
827013-000	213T - 215T	1 3/8"	975000-836	6J
		7/8"	975000-832	6J
827014-000	254T - 256T	1 5/8"	975000-842	7J
		7/8"	975000-838	7J

COUPLER INSERT SELECTION TABLE (WOODS TYPE)

COUPLER INSERT SIZE	INSERT NUMBER	PART NUMBER
4J	4JE	875000-801
5J	5JE	875000-802
6J	6JE	875000-803
7J	7JE	875000-804

TORONTO

23 BERTRAND AVENUE
TORONTO, ONTARIO
CANADA
M1L 2P3
+1 416 755 2291

BUFFALO

93 EAST AVENUE
NORTH TONAWANDA, NEW YORK
U.S.A.
14120-6594
+1 716 693 8813

BIRMINGHAM

HEYWOOD WHARF, MUCKLOW HILL
HALESOWEN, WEST MIDLANDS
UNITED KINGDOM
B62 8DJ
+44 (0) 8444 145 145

MANCHESTER

WOLVERTON STREET
MANCHESTER
UNITED KINGDOM
M11 2ET
+44 (0) 8444 145 145

BANGALORE

#59, FIRST FLOOR, 3RD MAIN
MARGOSA ROAD, MALLESWARAM
BANGALORE, INDIA
560 003
+91 (0) 80 4906 3555

SHANGHAI

NO. 1619 HU HANG ROAD, XI DU TOWNSHIP
FENG XIAN DISTRICT, SHANGHAI
P.R.C.
201401
+86 21 3756 6696

**MAKING
ENERGY
MAKE
SENSE™**