

Series 4280 close coupled or motor mounted pump

Centerline discharge
M designation

Parts list

1 $\frac{1}{4}$ " impeller bore

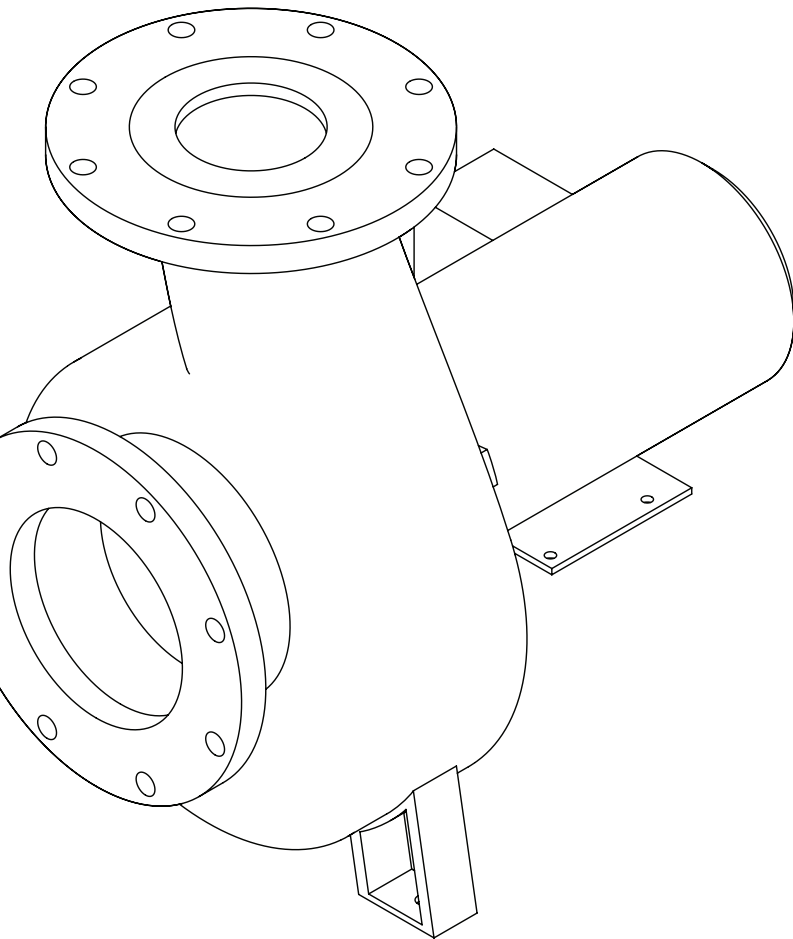
1 $\frac{5}{8}$ " mechanical seal

File No: 6042.128

Date: OCTOBER 07, 2015

Supersedes: 6042.128

Date: DECEMBER 22, 2014



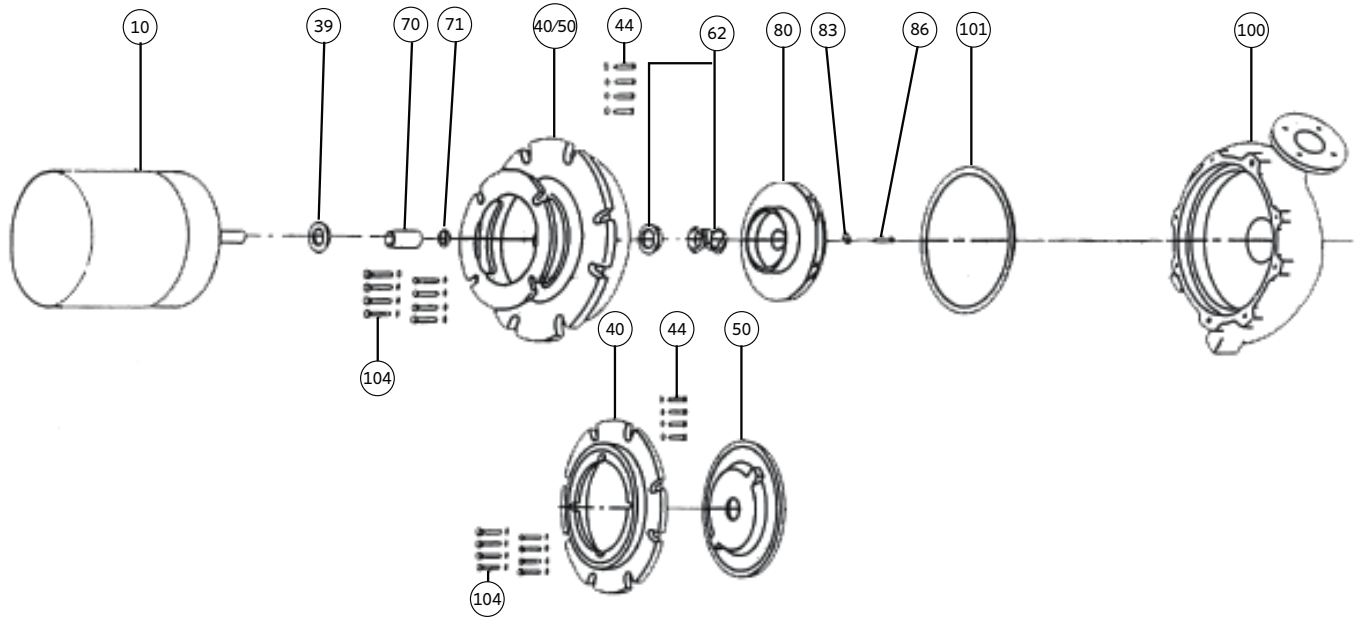
4280 POWER FRAMES: ALL SPEEDS

SPEED	MOTOR HORSEPOWER																
	¾	1	1½	2	3	5	7½	10	15	20	25	30	40	50	60	75	
1150 RPM																	
1750 RPM																	
3500 RPM																	
FRAME	143JM	145JM	182JM	184JM	213JM	215JM	213JP	215JP	254JM	256JM	284JM	286JM	324JM	326JM	324JP	326JP	326JP
PUMP SIZE																	
1½ x 1 x 6	S	S	S	S	S	S	S	S	S	S	S	S	S	S	S	S	S
3 x 1½ x 6	S	S	S	S	S	S	S	S	S	S	S	S	S	S	S	S	S
3 x 2 x 6	S	S	S	S	S	S	S	S	S	S	S	S	S	S	S	S	S
3 x 2½ x 6	S	S	S	S	S	S	S	S	S	S	S	S	S	S	S	S	S
4 x 3 x 6W	S	S	S	S	S	S	S	S	S	S	S	S	S	S	S	S	S
1½ x 1 x 8	S	S	S	S	S	S	S	S	S	S	S	S	S	S	S	S	S
3 x 1½ x 8	S	S	S	S	S	S	S	S	S	S	S	S	S	S	S	S	S
3 x 2 x 8	S	S	S	S	S	S	S	S	S	S	S	S	S	S	S	S	S
3 x 2½ x 8	S	S	S	S	S	S	S	S	S	S	S	S	S	S	S	S	S
4 x 3 x 8	S	S	S	S	S	S	S	S	S	S	S	S	S	S	S	S	S
5 x 4 x 8	S	S	S	S	S	S	S	S	S	S	S	S	S	S	S	S	S
6 x 4 x 8	S	S	S	S	S	S	S	S	S	S	S	S	S	S	S	S	S
8 x 8 x 8	—	—	—	—	—	—	—	—	—	—	—	—	—	—	—	—	—
2 x 1 x 10	S	S	S	S	S	S	S	S	S	S	S	S	S	S	S	S	S
2 x 1½ x 10	S	S	S	S	S	S	S	S	S	S	S	S	S	S	S	S	S
3 x 1½ x 10	S	S	S	S	S	S	S	S	S	S	S	S	S	S	S	S	S
3 x 2 x 10	S	S	S	S	S	S	S	S	S	S	S	S	S	S	S	S	S
3 x 2½ x 10	S	S	S	S	S	S	S	S	S	S	S	S	S	S	S	S	S
4 x 3 x 10	—	—	—	—	—	—	—	—	—	—	—	—	—	—	—	—	—
5 x 4 x 10	—	—	—	—	—	—	—	—	—	—	—	—	—	—	—	—	—
6 x 4 x 10	—	—	—	—	—	—	—	—	—	—	—	—	—	—	—	—	—
6 x 5 x 10	—	—	—	—	—	—	—	—	—	—	—	—	—	—	—	—	—
8 x 6 x 10	—	—	—	—	—	—	—	—	—	—	—	—	—	—	—	—	—
4 x 3 x 11½	—	—	—	S	—	—	—	—	—	—	—	—	—	—	—	—	—
5 x 4 x 11½	—	—	—	—	—	—	—	—	—	—	—	—	—	—	—	—	—
6 x 5 x 11½	—	—	—	—	—	—	—	—	—	—	—	—	—	—	—	—	—
8 x 6 x 11½	—	—	—	—	—	—	—	—	—	—	—	—	—	—	—	—	—
3 x 1½ x 13	—	—	—	—	—	—	—	—	—	—	—	—	—	—	—	—	—
3 x 2 x 13	—	—	—	—	—	—	—	—	—	—	—	—	—	—	—	—	—
4 x 3 x 13	—	—	—	—	—	—	—	—	—	—	—	—	—	—	—	—	—
6 x 4 x 13	—	—	—	—	—	—	—	—	—	—	—	—	—	—	—	—	—
6 x 4 x 13H	—	—	—	—	—	—	—	—	—	—	—	—	—	—	—	—	—
6 x 5 x 13	—	—	—	—	—	—	—	—	—	—	—	—	—	—	—	—	—
6 x 5 x 13H	—	—	—	—	—	—	—	—	—	—	—	—	—	—	—	—	—
8 x 6 x 13	—	—	—	—	—	—	—	—	—	—	—	—	—	—	—	—	—

'S' DESIGNATION - 7/8" IMPELLER BORE, 1¼" MECHANICAL SEAL
 'M' DESIGNATION - 1¼" IMPELLER BORE, 1⅝" MECHANICAL SEAL

M DESIGNATION

Exploded view



NOTE: For certain motor frame sizes, item 40 (adapter) and item 60 (stuffing box cover) come as separate pieces. See parts list page 16, 17, 19 & 20

INDEX

ITEM	DESCRIPTION	PAGE
39	Water slinger	15
40	Adapter	12
40/50	Adapter/stuffing box B.F. & A.I.	9
40/50	Adapter/stuffing box D.I.	10
40/50	Adapter/stuffing box A.B.	11
44	Motor capscrew	13
50	Stuffing box	12
62	Mechanical seal kit	15
70	Shaft sleeve	15

ITEM	DESCRIPTION	PAGE
71	Shaft sleeve spacer	15
70/71	Shaft sleeve kit	15
80	Impeller	7
83	Impeller washer	15
86	Impeller capscrew	15
100	Casing	4
101	Casing gasket	12
104	Casing capscrew & washer	14

ITEM 100: CASING

PUMP SIZE	PRESSURE RATING (LB)	CONSTRUCTION	PART NUMBER
4×3×6W	125	Bronze fitted	427292-011
	125	All bronze	427292-041
	250	Ductile iron	427293-031
1½×1×8	125	Bronze fitted	426188-011
	125	All bronze	426188-041
	250	Ductile iron	426189-031
3×1½×8	125	Bronze fitted	426599-011
	125	All bronze	426599-041
	250	Ductile iron	426600-031
3×2×8	125	Bronze fitted	426125-011
	125	All bronze	426125-041
	250	Ductile iron	426126-031
3×2½×8	125	Bronze fitted	427236-011
	125	All bronze	427236-041
	250	Ductile iron	427237-031
4×3×8	125	Bronze fitted	426129-011
	125	All bronze	426129-041
	250	Ductile iron	426130-031
5×4×8	125	Bronze fitted	426107-011
	125	All bronze	426107-041
	250	Ductile iron	426108-031
6×4×8W	125	Bronze fitted	426624-011
	125	All bronze	426624-041
	250	Ductile iron	426625-031
8×8×8	125	Bronze fitted	427913-011
	125	All bronze	427913-041
	250	Ductile iron	427914-031
2×1×10	125	Bronze fitted	426137-011
	125	All bronze	426137-041
	250	Ductile iron	426138-031
2×1½×10	125	Bronze fitted	426259-011
	125	All bronze	426259-041
	250	Ductile iron	426260-031
3×1½×10	125	Bronze fitted	426139-011
	125	All bronze	426139-041
	250	Ductile iron	426140-031
3×2×10	125	Bronze fitted	426143-011
	125	All bronze	426143-041
	250	Ductile iron	426144-031

ITEM 100: CASING (continued)

PUMP SIZE	PRESSURE RATING (LB)	CONSTRUCTION	PART NUMBER
3×2½×10	125	Bronze fitted	427290-011
	125	All bronze	427290-041
	250	Ductile iron	427291-031
4×3×10	125	Bronze fitted	426149-011
	125	All bronze	426149-041
	250	Ductile iron	426150-031
5×4×10** (PRE AUGUST 2015)	125	Bronze fitted	426111-011
	125	All bronze	426112-031
	250	Ductile iron	426111-041
5×4×10** (POST AUGUST 2015)	125	Bronze fitted	426134-011
	250	Ductile iron	426135-031
6×4×10	125	Bronze fitted	426153-011
	125	All bronze	426153-041
	250	Ductile iron	426154-031
6×5×10	125	Bronze fitted	427238-011
	250	Ductile iron	427238-041
	125	Bronze fitted	427238-031
8×6×10	125	Bronze fitted	426605-011
	125	All bronze	426605-041
	250	Ductile iron	426606-031
4×3×11½	125	Bronze fitted	426147-011
	125	All bronze	426147-041
	250	Ductile iron	426148-031
5×4×11½	125	Bronze fitted	426151-011
	125	All bronze	426151-041
	250	Ductile iron	426152-031
6×5×11½	125	Bronze fitted	426155-011
	125	All bronze	426155-041
	250	Ductile iron	426156-031
8×6×11½	125	Bronze fitted	426159-011
	125	All bronze	426159-041
	250	Ductile iron	426160-031
3×1½×13	125	Bronze fitted	426607-011
	125	All bronze	426607-041
	125	Ductile iron	426608-031

** For the 5×4×10 pump, there was a revision to the the casing and impeller done in August 2015. These two parts are not interchangeable between the old and new pumps. Please consult your Armstrong representative if you need extra assistance.

ITEM 100: CASING (continued)

PUMP SIZE	PRESSURE RATING (LB)	CONSTRUCTION	PART NUMBER
3×2×13	125	Bronze fitted	426165-011
	125	All bronze	426165-041
	125	Ductile iron	426166-031
4×3×13	125	Bronze fitted	426169-011
	125	All bronze	426169-041
	250	Ductile iron	426170-031
6×4×13 [†]	125	Bronze fitted	427195-011
	250	Ductile iron	427196-031
6×4×13H	125	Bronze fitted	427195-017
	250	Ductile iron	427196-037
6×5×13	125	Bronze fitted & all iron	427191-011
	250	Ductile iron	427192-031
6×5×13H	125	Bronze fitted & all iron	427191-017
	250	Ductile iron	427192-037
8×6×13** (PRE AUGUST 2015)	125	Bronze fitted	427189-011
	125	All bronze	427189-041
	250	Ductile iron	427190-031
8×6×13** (POST AUGUST 2015)	125	Bronze fitted	426177-011
	125	Ductile iron	426177-071
	250	Stainless steel	426178-031

† For 6×4×13 units pre-June 2013, casing & impeller must be replaced together. Contact Armstrong for details.

** For the 8×6×13 pump, there was a revision to the the casing and impeller done in August 2015. These two parts are not interchangeable between the old and new pumps. Please consult your Armstrong representative if you need extra assistance

ITEM 80: IMPELLER*

PUMP SIZE	CONSTRUCTION**	PART NUMBER
4×3×6W	Bronze fitted & all bronze	427118-041
	All iron	427118-011
1½×1×8	Bronze fitted & all bronze	426229-041
	All iron	426229-011
3×1½×8	Bronze fitted & all bronze	427122-041
	All iron	427122-011
3×2×8	Bronze fitted & all bronze	427126-041
	All iron	427126-011
3×2½×8	Bronze fitted & all bronze	427128-041
	All iron	427128-011
4×3×8	Bronze fitted & all bronze	427130-041
	All iron	427130-011
5×4×8	Bronze fitted & all bronze	427138-041
	All iron	427138-011
6×4×8W	Bronze fitted & all bronze	427138-041
	All iron	427138-041
8×8×8	Bronze fitted & all bronze	427918-041
	All iron	427918-011
2×1×10	Bronze fitted & all bronze	427152-041
	All iron	427152-011
2×1½×10	Bronze fitted & all bronze	426255-041
	All iron	426255-011
3×1½×10	Bronze fitted	427152-041
	All iron	427152-011
3×2×10	Bronze fitted & all bronze	427164-041
	All iron	427164-011
3×2½×10	Bronze fitted & all bronze	427124-041
	All iron	427124-011
4×3×10	Bronze fitted & all bronze	427150-041
	All iron	427150-011
5×4×10*** (PRE AUGUST 2015)	Bronze fitted & all bronze	427154-041
	Ductile iron & all iron	427154-011
5×4×10*** (POST AUGUST 2015)	Bronze fitted & all bronze	426272-041
	Ductile iron & all iron	426272-011
6×4×10	Bronze fitted	427154-041
	All iron	427154-011
6×5×10	Bronze fitted	427160-041
	All iron	427160-011

ITEM 80: IMPELLER* (continued)

PUMP SIZE	CONSTRUCTION**	PART NUMBER
8×6×10	Bronze fitted	427157-041
	All iron	427157-011
4×3×11½	Bronze fitted	426282-041
	All iron	426282-011
5×4×11½	Bronze fitted	426284-041
	All iron	426284-011
6×5×11½	Bronze fitted	426288-041
	All iron	426288-011
8×6×11½	Bronze fitted	426289-041
	All iron	426289-011
3×1½×13	Bronze fitted	427161-041
	All iron	427161-011
3×2×13	Bronze fitted	427165-041
	All iron	427165-011
4×3×13	Bronze fitted	427169-041
	All iron	427169-011
6×4×13†	Bronze fitted	427186-041
	All iron	427186-011
6×4×13H	Bronze fitted	427182-041
	All iron	427182-011
6×5×13	Bronze fitted	427182-041
6×5×13H	Bronze fitted	427177-041
8×6×13*** (PRE AUGUST 2015)	Bronze fitted & all bronze	427205-041
	Ductile iron & all iron	427205-011
8×6×13*** (POST AUGUST 2015)	Bronze fitted & all bronze	427177-041
	Ductile iron & all iron	427177-011
	Stainless steel	427177-071

NOTE:

* Impeller part numbers are for unbalanced, full diameter impellers. Always specify the Pump serial number. If possible, measure the diameter of the impeller being replaced.

† For 6×4×13 units pre-June 2013, casing & impeller must be replaced together. Contact Armstrong for details.

** All Bronze construction: Parts in contact with the pumped liquid are bronze, copper or stainless steel.
Bronze Fitted construction: Parts in contact with the pumped liquid are bronze or copper, except casing and adapter.
All Iron construction: Parts in contact with the pumped liquid are cast iron or steel, except shaft sleeve & mechanical seal.

*** For the 5×4×10 and 8×6×13 pumps, there was a revision to the the casing and impeller done in August 2015. These two parts are not interchangeable between the old and new pumps. Please consult your Armstrong representative if you need extra assistance.

ITEM 40 & 50 COMB. STUFFING BOX & ADAPTER

Bronze fitted and all iron construction

PUMP SIZE	MOTOR FRAME			
	254-256JM	284-326JM	213-215JP	284-326JP
4×3×6W	426748-011	—	—	—
1½×1×8	—	—	426750-011	—
3×1½×8	426751-011	426752-011	426750-011	—
3×2×8	426751-011	426752-011	426750-011	—
3×2½×8	426751-011	426752-011		—
4×3×8	426751-011	426752-011	426750-011	—
5×4×8	426751-015	426752-015	426750-015	—
6×4×8W	426751-015	426752-015	426750-015	—
8×8×8	426751-015	—	426750-015	—
2×1×10	426755-011	—	426754-011	426756-011
2×1½×10	426755-011	—	426754-011	426756-011
3×1½×10	426755-011	—	426754-011	426756-011
3×2×10	426755-011	—	426754-011	426756-011
3×2½×10	426755-015	—	426754-015	426756-015
4×3×10	426755-015	—	426754-015	—
5×4×10	426755-015	—	426754-011	426756-011
6×4×10	426755-015	—	426754-011	426756-011
6×5×10	426755-011	—	426754-011	426756-011
8×6×10	426755-011	—		426756-011
4×3×11½	426742-011	—	426743-011	426744-011
5×4×11½	426742-011	—	426743-011	426744-011
6×5×11½	426742-011	—	—	426744-011
8×6×11½	426742-011	—	—	426744-011
3×1½×13	426759-011	426375-111	—	426758-011
3×2×13	426759-011	426375-111	—	426758-011
4×3×13	426759-011	426375-111	SEE PAGE 12	426758-011
6×4×13	426759-011	426375-112		426758-011
6×4×13H	426759-011	426375-112		426758-011
6×5×13	426759-011	426375-112		426758-011
6×5×13H	426759-011	426375-112		426758-011
8×6×13	426759-011	426375-112		426758-011

ITEM 40 & 50 COMB. STUFFING BOX & ADAPTER

Ductile iron construction

PUMP SIZE	MOTOR FRAME			
	254-256JM	284-326JM	213-215JP	284-326JP
4×3×6W	426748-031	—	—	—
1½×1×8	—	—	426750-031	—
3×1½×8	426751-031	426752-031	426750-031	—
3×2×8	426751-031	426752-031	426750-031	—
3×2½×8	426751-031	426752-031	—	—
4×3×8	426751-031	426752-031	426750-031	—
5×4×8	426751-035	426752-035	426750-035	—
6×4×8W	426751-035	426752-035	426750-035	—
8×8×8	426751-035	—	426750-035	—
2×1×10	426755-031	—	426754-031	426756-031
2×1½×10	426755-031	—	426754-031	426756-031
3×1½×10	426755-031	—	426754-031	426756-031
3×2×10	426755-031	—	426754-031	426756-031
3×2½×10	426755-035	—	426754-031	426756-035
4×3×10	426755-035	—	426754-035	—
5×4×10	426755-035	—	426754-031	426756-031
6×4×10	426755-035	—	426754-031	426756-031
6×5×10	426755-031	—	426754-031	426756-031
8×6×10	426755-031	—	—	426756-031
4×3×11½	426742-031	—	426743-031	426744-031
5×4×11½	426742-031	—	426743-031	426744-031
6×5×11½	426742-031	—	—	426744-031
8×6×11½	426742-031	—	—	426744-031
3×1½×13	426759-031	426375-131	—	426758-031
3×2×13	426759-031	426375-131	—	426758-031
4×3×13	426759-031	426375-131	SEE PAGE 12	426758-031
6×4×13	426759-031	426375-132		426758-031
6×4×13H	426759-031	426375-132		426758-031
6×5×13	426759-031	426375-132		426758-031
6×5×13H	426759-031	426375-132		426758-031
8×6×13	426759-031	426375-132		426758-031

ITEM 40 & 50 COMB. STUFFING BOX & ADAPTER

All bronze construction

PUMP SIZE	MOTOR FRAME			
	254-256JM	284-326JM	213-215JP	284-326JP
4×3×6W	426748-041	—	—	—
1½×1×8	—	—	426750-041	—
3×1½×8	426751-041	426752-041	426750-041	—
3×2×8	426751-041	426752-041	426750-041	—
3×2½×8	426751-041	426752-041	—	—
4×3×8	426751-041	426752-041	426750-041	—
5×4×8	426751-045	426752-041	426750-045	—
6×4×8W	426751-045	426752-045	426750-045	—
8×8×8	426751-045	—	426750-045	—
2×1×10	426755-041	—	426754-041	426756-041
2×1½×10	426755-041	—	426754-041	426756-041
3×1½×10	426755-041	—	426754-041	426756-041
3×2×10	426755-041	—	426754-041	426756-041
3×2½×10	426755-045	—	426754-045	426756-045
4×3×10	426755-045	—	426754-045	—
5×4×10	426755-045	—	426754-041	426756-041
6×4×10	426755-045	—	426754-041	426756-041
6×5×10	426755-041	—	426754-041	426756-041
8×6×10	426755-041	—	—	426756-041
4×3×11½	426742-041	—	426743-011	426744-041
5×4×11½	426742-041	—	426743-011	426744-041
6×5×11½	426742-011	—	—	426744-041
8×6×11½	426742-011	—	—	426744-041
3×1½×13	426759-041	426375-141	—	426758-041
3×2×13	426759-041	426375-141	—	426758-041
4×3×13	426759-041	426375-141	SEE PAGE 12	426758-041
6×4×13	426759-041	426375-142		426758-041
6×4×13H	426759-041	426375-142		426758-041
6×5×13	426759-041	426375-142		426758-041
6×5×13H	426759-041	426375-142		426758-041
8×6×13	426759-041	426375-142		426758-041

Series 4280 close coupled/motor mounted pump centerline discharge
 'M' designation 1¼" impeller bore - 1⅝" mechanical seal

PARTS LIST

12

ITEM 40: ADAPTER

MOTOR FRAMES 213 - 215JP

PUMP SIZE	PART NUMBER
4×3×13	For Bronze fitted, Ductile iron & All bronze constructions 426388-111
6×4×13	
6×4×13H	
6×5×13	
6×5×13H	
8×6×13	

ITEM 50: STUFFING BOX

MOTOR FRAMES 213 - 215JP

PUMP SIZE	CONSTRUCTION	PART NUMBER
4×3×13	Bronze fitted	426545-111
6×4×13		
6×4×13H	Ductile iron	426545-131
6×5×13		
6×5×13H	All bronze	426545-141
8×6×13		

ITEM 101: CASING GASKET

PUMP SIZE	PART NUMBER
4×3×6W	426401-002
1½×1×8	426401-003
3×1½×8	
3×2×8	
3×2½×8	
4×3×8	
5×4×8	
6×4×8W	
8×8×8	
2×1×10	426401-004
2×1½×10	
3×1½×10	
3×2×10	
3×2½×10	
4×3×10	
5×4×10	
6×4×10	
6×5×10	426401-006
8×6×10	
4×3×11½	
5×4×11½	
6×5×11½	426401-005
8×6×11½	
3×1½×13	
3×2×13	
4×3×13	
6×4×13	
6×4×13H	
6×5×13	
6×5×13H	
8×6×13	

ITEM 44: MOTOR CAPSCREW & WASHER

PUMP SIZE	MOTOR FRAME			
	254-256JM	284-326JM	213-215JP	284-326JP
	4 REQUIRED	4 REQUIRED	4 REQUIRED	4 REQUIRED
4×3×6W				
1½×1×8				
3×1½×8		CAPSCREW ⅝"-11NC 1¼" LONG 911129-110		
3×2×8				
3×2½×8				—
4×3×8		WASHER ⅝" FLAT 927121-100		
5×4×8				
6×4×8W				
8×8×8				
2×1×10				
2×1½×10				
3×1½×10				
3×2×10	CAPSCREW ½"-13NC 1¼" LONG 911125-110		CAPSCREW ½"-13NC 1¼" LONG 911125-110	
3×2½×10				CAPSCREW ⅝"-11NC 1¼" LONG 911129-110
4×3×10		—		
5×4×10				
6×4×10				
6×5×10	WASHER ½" FLAT 927117-100		WASHER ½" FLAT 927117-100	WASHER ⅝" FLAT 927121-100
8×6×10				
4×3×11½				
5×4×11½				
6×5×11½				
8×6×11½				
3×1½×13				
3×2×13		CAPSCREW ⅝"-11NC 1¾" LONG 911129-114		
4×3×13				
6×4×13				—
6×4×13H				
6×5×13		WASHER ⅝" FLAT 927121-100		
6×5×13H				
8×6×13				

ITEM 104: CASING CAPSCREW & WASHER

PUMP SIZE	NUMBER REQUIRED	SIZE	PART NUMBER
4×3×6W	8	CAPSCREW ½" - 13NC × 1¼"LG.	911125-110
	8	WASHER ½" - SAE FLAT	927117-100
1½×1×8 3×1½×8 3×2×8 3×2½×8 4×3×8 5×4×8 6×4×8W 8×8×8	8	HX. HD. CAPSCREW ⅝" - 11NC × 1½"LG.	911129-112
	8	WASHER ⅝" - SAE FLAT	927121-100
2×1×10 2×1½×10 3×1½×10 3×2×10 3×2½×10 4×3×10 5×4×10 6×4×10 6×5×10 8×6×10	12	CAPSCREW ⅝" - 11NC X 1 ½"LG.	911129-112
	12	WASHER ⅝" - SAE FLAT	927121-100
4×3×11½ 5×4×11½ 6×5×11½ 8×6 11½	12	CAPSCREW ½" - 13NC X 1½"LG.	911125-112
	12	WASHER ½" - SAE FLAT	927117-100
3×1½×13 3×2×13 4×3×13 6×4×13 6×4×13H 6×5×13 6×5×13H 8×6×13	16	CAPSCREW ⅝" - 11NC X 1½"LG.	911129-112
	12	WASHER ⅝" - SAE FLAT	927121-100

COMMON PARTS

ITEM NUMBER	DESCRIPTION	CONSTRUCTION	PART NUMBER
70	SHAFT SLEEVE FRAMES 254-256 & 284-326JM	Bronze fitted	425869-003
70	SHAFT SLEEVE FRAMES 254-256 & 284-326JM	All iron	425869-004
70	SHAFT SLEEVE FRAMES 213-215 & 284-326JP	Bronze fitted	425869-021
70	SHAFT SLEEVE FRAMES 213-215 & 284-326JP	All iron	425869-022
62	MECHANICAL SEAL KIT	All	975000-984**
71	SLEEVE SPACER	All	425868-004
39	WATER SLINGER	All	419315-000
83	IMPELLER WASHER	All	425742-003
84	IMPELLER LOCKWASHER	All	927213-400
86	IMPELLER CAPSCREW	All	911900-119

** For liquids above 200°F/93°C use 9975001-833 (-633 if potable drinking water above 200°F/93°C)
 For glycols above 30% by weight use 9975001-837 (-838 if above 200°F/93°C)

ITEM 70 & 71: SHAFT SLEEVE & SPACER KITS

ITEM NUMBER	DESCRIPTION	CONSTRUCTION	PART NUMBER
70 & 71	SHAFT SLV. & SPACER KIT FRAMES 254-256 & 284-326JM	Bronze fitted	810150-154
70 & 71	SHAFT SLV. & SPACER KIT FRAMES 254-256 & 284-326JM	All iron	810150-155
70 & 71	SHAFT SLV. & SPACER KIT FRAMES 213-215 & 284-326JP	Bronze fitted	810150-152
70 & 71	SHAFT SLV. & SPACER KIT FRAMES 213-215 & 284-3JP26	All iron	810150-153

TORONTO

23 BERTRAND AVENUE
TORONTO, ONTARIO
CANADA
M1L 2P3
+1 416 755 2291

BUFFALO

93 EAST AVENUE
NORTH TONAWANDA, NEW YORK
U.S.A.
14120-6594
+1 716 693 8813

BIRMINGHAM

HEYWOOD WHARF, MUCKLOW HILL
HALESOWEN, WEST MIDLANDS
UNITED KINGDOM
B62 8DJ
+44 (0) 8444 145 145

MANCHESTER

WOLVERTON STREET
MANCHESTER
UNITED KINGDOM
M11 2ET
+44 (0) 8444 145 145

BANGALORE

#59, FIRST FLOOR, 3RD MAIN
MARGOSA ROAD, MALLESWARAM
BANGALORE, INDIA
560 003
+91 (0) 80 4906 3555

SHANGHAI

NO. 1619 HU HANG ROAD, XI DU TOWNSHIP
FENG XIAN DISTRICT, SHANGHAI
P.R.C.
201401
+86 21 3756 6696

ARMSTRONG FLUID TECHNOLOGY
ESTABLISHED 1934

ARMSTRONGFLUIDTECHNOLOGY.COM

**MAKING
ENERGY
MAKE
SENSE™**