

---

# Series 4270

## Closed coupled or motor mounted pumps

---

### Parts list

**File No:** 6042.124  
**Date:** DECEMBER 6, 2017  
**Supersedes:** 6042.124  
**Date:** APRIL 11, 2017

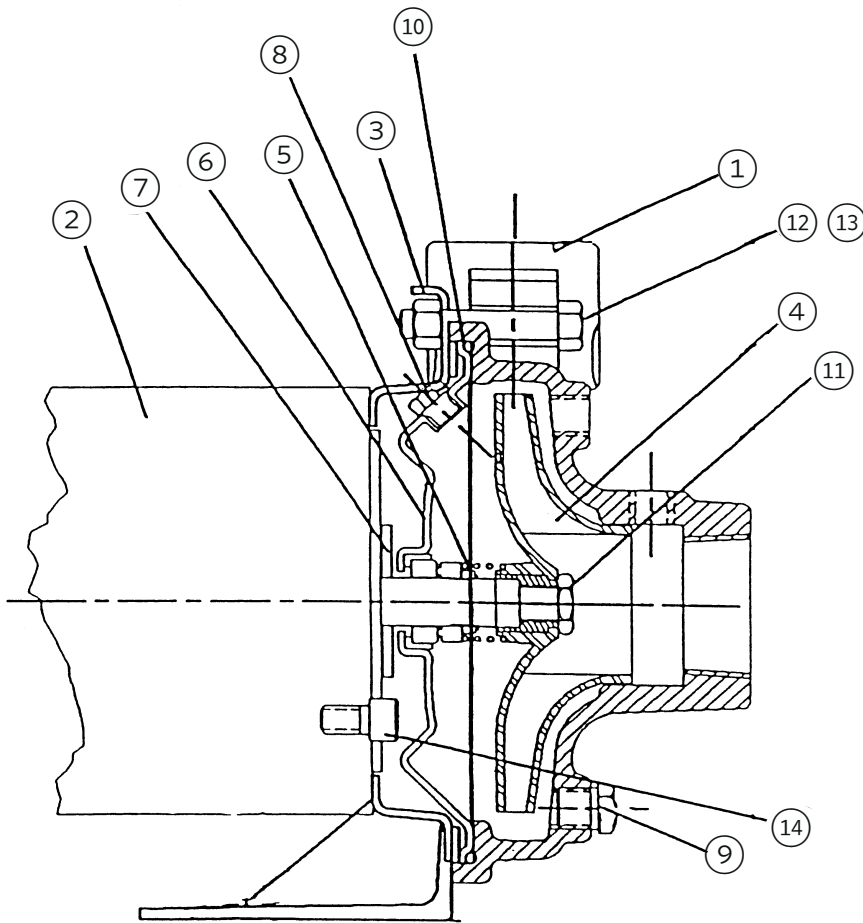
---

---

# Series 4270

## Close coupled or motor mounted pumps parts

Typical section view



### INDEX

ITEM	DESCRIPTION	PAGE
①	Casing	3
②	Motor	**
③	Adapter bracket	5
④	Impeller/stock Impellers	3/4
⑤	Mechanical seal assembly	5
⑥	Faceplate	5
⑦	Water slinger	5
⑧	Vent plug	5

ITEM	DESCRIPTION	PAGE
⑨	Drain & gauge plugs	5
⑩	Casing O-ring	5
⑪	Impeller nut	5
⑫	Casing capscrew	6
⑬	Casing capscrew nut	6
⑭	Adapter bracket capscrew	6
***	Flush line components	6

# Series 4270

## Close coupled or motor mounted pumps parts

### ITEM 1: CASING

PUMP SIZE	MATERIAL	PART NUMBER
1.25 × 1	Cast iron	410133-011
1.5 × 1.25	Cast iron	410134-011
2 × 1.5	Cast iron	410135-011

### ITEM 4: IMPELLER\*\*

PUMP SIZE	MATERIAL	PART NUMBER
1.25 × 1	Cast iron	410133-111
1.25 × 1	Bronze	410133-141
1.5 × 1.25	Cast iron	410134-111
1.5 × 1.25	Bronze	410134-141
2 × 1.5	Cast iron	410134-111
2 × 1.5	Bronze	410134-141

**NOTE:** \*\* Impeller Part Numbers are for full or maximum diameter Impellers.  
Always specify Pump Serial Number and where possible, measure and advise the diameter of the Impeller being replaced on these Pumps.  
**For stock impeller diameters see page 4.**

**STOCK PUMP IMPELLER DIAMETERS**

<b>STOCK PUMP SIZE</b>	<b>MATERIAL</b>	<b>IMPELLER DIAMETERS</b>
701	PEI resin	3.50 "
701	Bronze	3.50 "
702	PEI resin	3.50 "
702	Bronze	3.50 "
703	PEI resin	4.00 "
703	Bronze	4.00 "
704	PEI resin	4.38 "
704	Bronze	4.38 "
705	PEI resin	4.88 "
705	Bronze	4.88 "
706	PEI resin	5.00 "
706	Bronze	5.00 "
707	PEI resin	4.00 "
707	Bronze	4.00 "
708	PEI resin	4.38 "
708	Bronze	4.38 "
709	PEI resin	4.50 "
709	Bronze	4.50 "
710	PEI resin	5.00 "
710	Bronze	5.00 "
711	PEI resin	5.50 "
711	Bronze	5.50 "
12-03	Ultem	3.50 "
12-05	Ultem	3.50 "
12-07	Ultem	4.00 "
12-10	Ultem	4.25 "
12-15	Ultem	4.75 "
12-20	Ultem	5.00 "
17-15	Ultem	4.25 "
17-20	Ultem	4.50 "
17-30	Ultem	5.00 "
17-50	Ultem	5.50 "
61-30	Ultem	5.50 "

**ITEM 3: ADAPTER BRACKET**

PUMP SIZE	MATERIAL	PART NUMBER
All sizes	Di-cast aluminum	410133-191

**ITEM 5: MECHANICAL SEAL ASSEMBLY**

PUMP SIZE	MATERIAL	PART NUMBER
All sizes	304 SS	810134-000

**ITEM 6: FACEPLATE**

PUMP SIZE	MATERIAL	PART NUMBER
All sizes	304 SS	411133-171

**ITEM 7: WATER SLINGER**

PUMP SIZE	NO. REQUIRED	PART NUMBER
All sizes	1	410133-181

**ITEM 8: VENT PLUG**

PUMP SIZE	CONSTRUCTION	MATERIAL	SIZE	NO. REQUIRED	PART NUMBER
All	All	Bronze	3/8" NPT HEX HD.	1	935105-000

**ITEM 9: DRAIN & GAUGE PLUGS**

PUMP SIZE	CONSTRUCTION	MATERIAL	SIZE	NO. REQUIRED	PART NUMBER
All	A.B.	Bronze	1/4" NPT HEX HD.	3	935105-001
All	B.F.	Galvanized	1/4" NPT HEX HD.	3	935105-100

**ITEM 10: CASING O-RING**

PUMP SIZE	MATERIAL	PART NUMBER
All sizes	VITON	AS1170-363

**ITEM 11: IMPELLER NUT**

PUMP SIZE	CONSTRUCTION	MATERIAL	SIZE	NO. REQUIRED	PART NUMBER
All	All	304 SS	7/16" - 20 NF	1	913522-100

6

**ITEM 12: CASING CAPSCREW**

PUMP SIZE	CONSTRUCTION	MATERIAL	SIZE	NO. REQUIRED	PART NUMBER
All	All	Steel oiled finish	3/8 - 16NC x 2 1/4"	4	911121-118

**ITEM 13: CASING CAPSCREW NUT**

PUMP SIZE	CONSTRUCTION	MATERIAL	SIZE	NO. REQUIRED	PART NUMBER
All	All	Steel oiled finish	3/8 - 16NC	3	913521-100

**ITEM 14: ADAPTER BRACKET CAPSCREW**

PUMP SIZE	CONSTRUCTION	MATERIAL	SIZE	NO. REQUIRED	PART NUMBER
All	All	Steel unplated	3/8 - 16NC x 5/8" SOCKET. HD.	4	911821-105

**MALE ELBOW**

PUMP SIZE	CONSTRUCTION	MATERIAL	SIZE	NO. REQUIRED	PART NUMBER
All	All	Brass	1/4" TUBE x 1/4" NPT	2	939003-106

**MALE CONNECTOR**

PUMP SIZE	CONSTRUCTION	MATERIAL	SIZE	NO. REQUIRED	PART NUMBER
All	All	Steel brass finish	1/4" TUBE x 1/8" NPT	2	939001-105

TORONTO  
+1 416 755 2291BUFFALO  
+1 716 693 8813BIRMINGHAM  
+44 (0) 8444 145 145MANCHESTER  
+44 (0) 8444 145 145BANGALORE  
+91 (0) 80 4906 3555SHANGHAI  
+86 21 3756 6696SÃO PAULO  
+55 11 4781 5500**FLUSH LINE TUBING**

PUMP SIZE	CONSTRUCTION	MATERIAL	SIZE	NO. REQUIRED	PART NUMBER
All	All	Copper	1/4" OD x 12"	1	997529-003