



HALO

PRIME550

OUTDOOR PELLET GRILL



ESSENTIALS GUIDE

TABLE OF CONTENTS

MEET THE PRIME550 OUTDOOR PELLETT GRILL	04
FEATURES OF YOUR PRIME550	06
INDUSTRY'S FIRST RECHARGEABLE BATTERY OPERATED OUTDOOR PELLETT GRILL	08
COOKING + CAPACITY	09
TEMPERATURE SETTINGS	10
OWNER'S MANUAL	11
CSA - EN	12
PRODUCT RECORD	15
PRIME550 OPERATING INSTRUCTIONS	16
CARING FOR YOUR PRIME550	25
LEVELING YOUR PRIME550	27
PRIME550 PELLETT CLEAN-OUT	28
TIPS + TECHNIQUES	29
CONVERTING YOUR PELLETT GRILL	32
TROUBLESHOOTING	34
ELECTRICAL WIRE DIAGRAM	37
PRIME550 PARTS LIST	38
ASSEMBLED DIMENSIONS	40
FIVE (5) YEAR LIMITED WARRANTY	41

MANUAL DEL PROPIETARIO	44
CSA - ESPAÑOL	45
REGISTRO DEL PRODUCTO	49
PRIME550 INSTRUCCIONES DE OPERACIÓN	50
CUIDANDO SU PRIME550	59
NIVELANDO SU PRIME550	61
LIMPIEZA DE PELLET DEL PRIME550	62
CONSEJOS + TÉCNICAS	63
CONVIERTIENDO SU PARRILLA DE PELLET	66
SOLUCIÓN DE PROBLEMAS	68
DIAGRAMA ELÉCTRICO DEL PRIME550	71
LISTA DE PARTES DEL PRIME550	72
DIMENSIONES ENSAMBLADAS	74
GARANTÍA LIMITADA DE CINCO (5) AÑOS	75
MANUEL DU PROPRIÉTAIRE	78
CSA - FRANÇAIS	79
FICHE PRODUIT	83
MODE D'EMPLOI DU PRIME550	84
ENTRETIEN DE VOTRE PRIME550	93
MISE À NIVEAU DE VOTRE PRIME550	95
NETTOYAGE DES GRANULÉS DU PRIME550	96
CONSEILS ET TECHNIQUES	97
CONVERSION DE VOTRE GRIL À GRANULÉS	100
DÉPANNAGE	102
SCHÉMA ÉLECTRIQUE DU PRIME550	105
LISTE DES PIÈCES DU PRIME550	106
DIMENSIONS ASSEMBLÉES	108
GARANTIE LIMITÉE DE CINQ (5) ANS	109

MEET THE PRIME550 OUTDOOR PELLET GRILL

Nothing says Cook, Gather and Create Memories like pellet grilling!

The **HALO PRIME550** was created with you in mind. Our patented igniter system allows the Prime550 to be powered by a **12-Volt 5Ah Rechargeable Lithium-ion Battery Pack**. Unthetered for the perfect outdoor kitchen addition or on-the-go camping, picnicking and tailgating companion!

We strive to Rise Above in both who we are and what we create. Our mission is to be a catalyst for re-connecting people and enhancing the experience of cooking outdoors - In the greatness of nature, on-the-go, and in your backyard.

The entire team here at Halo thanks you for joining our community. We look forward to serving you by listening and continuing to bring you authenticity, versatility and innovation.

- Halo Team



FEATURES OF YOUR

PRIME550

OUTDOOR PELLET GRILL



14.2 LB HOPPER CAPACITY

Larger capacity holds up to 14.2 lb at once for a longer cook.



554 IN² TOTAL COOKING SURFACE

Perfect for cooking large cuts of meat.



WIDE RANGE TEMPERATURE

Sear, roast and smoke at temperatures from 180°F–500°F.



NEW TECHNOLOGY LITHIUM-ION BATTERY OPERATED OR A/C ADAPTER

Unthethered for true portability.



NEW TECHNOLOGY IGNITER SYSTEM

High intensity spark ignition system.



HALO CONNECT™

Set and adjust temperatures automatically from the Halo app.



DIRECT SEAR + FLARE-UP CONTROL PLATE

Adjust the damper on center vent to sear meats for even distribution.



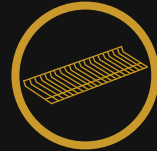
WIRED MEAT PROBE

Heat to an accurate desired temperature.



TUCKAWAY WARMING RACK

Tucks away for clear viewing of food when open and continues food warming when closed.



LARGE DIGITAL CONTROLLER DISPLAY

Easily view temperature display.



PRIME550

OUTDOOR PELLET GRILL

RECHARGEABLE BATTERY

Our patented igniter system allows the **PRIME550** to be powered by a **12-volt 5Ah Rechargeable Lithium-ion Battery Pack**.

Untethered for the perfect outdoor kitchen addition or on-the-go, camping and tailgating companion.

GAME CHANGER.

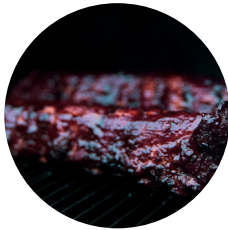


THE **PRIME**
SERIES

COOKING + CAPACITY

SMOKE

LOW
180-250°F
(82-212°C)



Best for...
Pork Shoulder
Beef Brisket
Whole Turkey

ROAST

MEDIUM
250-350°F
(121-176°C)



Best for...
Whole Chickens
Scotch Eggs
Beef Roast

SEAR

HIGH
350-500°F
(176-260°C)



Best for...
Hamburgers
Steak
Vegetables



4 Rib
Racks

OR



4 Whole
Chickens

OR



24 Beef
Patties

TOTAL COOKING SPACE: **554 in²** TOTAL WEIGHT: **110.23 lbs.** PELLET HOPPER CAPACITY: **14.2 lbs.** MAX TEMPERATURE: **500°F (260°C)**

TEMPERATURE SETTINGS



- Temperature readouts on the controller may not exactly match the thermometer.
- All temperatures listed are approximate and are affected by outside ambient temperature, wind, the quality of pellet fuel being used, the lid being opened, and the food quantity being cooked.

HIGH
350-500°F
(176-260°C)

This temperature range is used to sear meat at high heat, without any contact with flame. High temperature is also used as the burn-off temperature to clean off the cooking grid before and after use. In addition, high heat can be used in extreme cold weather conditions to compensate for the contrast of temperatures between outside and inside the unit.

MEDIUM
250-350°F
(121-176°C)

This temperature range is best for roasting and finishing off that slow smoked creation. Cooking at these temperatures will greatly reduce the chances of a grease flare-up. Great range for cooking anything wrapped in bacon, or where you want versatility with control.

LOW
180-250°F
(82-212°C)

This range is best used to slow smoke, increase smoky flavor, and to keep foods warm and keep your meats juicy by cooking longer at a lower temperature.

OWNER'S MANUAL

MODEL NO: HS-1001-XNA



⚠ WARNING

"A MAJOR CAUSE OF FIRES IS FAILURE TO MAINTAIN REQUIRED CLEARANCES (AIR SPACES) TO COMBUSTIBLE MATERIALS. IT IS OF UTMOST IMPORTANCE THAT THIS PRODUCT BE INSTALLED ONLY IN ACCORDANCE WITH THESE INSTRUCTIONS."

FOR OUTDOOR USE ONLY.

⚠ WARNING

"Please read this entire manual before installation and use of this pellet-burning appliance. Failure to follow these instructions could result in property damage, bodily injury, or even death."

⚠ WARNING

- "READ ALL INSTRUCTIONS BEFORE INSTALLING AND USING THIS APPLIANCE."
- "SAVE THESE INSTRUCTIONS."

Halo Products Group LLC
850 West Park Rd Elizabethtown KY, 42701
Toll free: 1-833-572-1688

SCAN FOR
Product Registration
Online Owner's Guide
Assembly Videos



IMPORTANT SAFETY INFORMATION

DANGERS AND WARNINGS

- "Contact local building or fire officials about restrictions and installation inspection requirements in your area."
- "Never use gasoline, gasoline-type lantern fuel, kerosene, charcoal lighter fluid, or similar liquids to start or 'freshen up' a fire in this appliance. Keep all such liquids well away from the appliance when in use."
- Caution against unattended cooking:
 - "Remove pots and pans while the operating appliance is unattended, to reduce the risk of fire."
 - "DO NOT use accessories not specified for use with this appliance."

WARNING

Follow these guidelines to prevent this colorless, odorless gas from poisoning you, your family, your pets, or others:

- Recognize the symptoms of carbon monoxide poisoning: headache, dizziness, weakness, nausea, vomiting, sleepiness, and confusion. Carbon monoxide reduces the blood's ability to carry oxygen. Low blood oxygen levels can result in loss of consciousness and death.
- Seek a doctor if you or others develop cold or flu-like symptoms. Carbon monoxide poisoning, which can easily be mistaken for a cold or flu, is often detected too late.
- Alcohol consumption and drug use increase the effects of carbon monoxide poisoning.
- "Never use gasoline, gasoline-type lantern fuel, kerosene, charcoal lighter fluid, or similar liquids to start or 'freshen up' a fire in this appliance. Keep all such liquids well away from the appliance when in use."
- In the event that the fire in the firepot goes out while smoking and there are still sufficient pellets in the pellet hopper, it is important to follow these steps. Failure to do so may cause a hazardous "overfiring" of your grill due to an excess of unburned pellets in the firepot.

WARNING

- A minimum clearance of 36" (914.4 mm) from combustible constructions to the sides of the pellet grill from the back of the pellet grill to combustible constructions must be maintained.

- Any limitations joining of two or more parts to constitute an assembly, such as installation of support legs, enclosures and the like.
- Do not use this appliance indoors, in an enclosed unventilated area, under an overhead combustible ceiling or overhang. Keep your pellet grill in an area clear and free from combustible materials, gasoline and other flammable vapors and liquids.

DANGER

- Keep electrical supply cords and the fuel away from heated surfaces. Do not use your pellet grill in the rain or around any water source.
- After a period of storage, or non-use, check the burn pot for obstructions, the hopper for foreign objects, and any air blockage around the fan intake or rear barrel exhaust holes. Clean before use.

CAUTION

- Regular care and maintenance is required to prolong the lifespan of your HALO pellet grill. If the pellet grill is stored outside during the rainy season or seasons of high humidity, use a HALO grill cover to ensure rainwater does not get into the hopper.
- Do not transport your pellet grill while in use or while is hot. Ensure the fire is completely out and that the pellet grill is completely cool to the touch before moving.
- Wood pellets will expand significantly when wet or exposed to high humidity, decompose, and may jam the feed system. Always disconnect the power, before performing any service or maintenance.
- OUTSIDE STORAGE: "**CAUTION!**" If the grill is stored outside during the rainy season, care should be taken to ensure that water does not get into the pellet hopper. Wood pellets expand greatly when wet and will jam the auger. Always cover your grill when not in use with the Halo Grill Cover. This custom fit cover can be purchased at www.halo-pg.com.

WARNING

CALIFORNIA PROPOSITION 65

This product can expose you to chemicals, including carbon monoxide, which are known to the State of California to cause cancer and birth defects or other reproductive harm. For more information go to www.P65Warnings.ca.gov

WOOD PELLET FUEL

- This pellet cooking appliance is designed and approved for pelletized, all natural, wood fuel only. Any other type of fuel burned in this appliance will void the warranty and safety warning.
- You must only use all natural wood pellets, designed for burning in pellet grill.
- *"Use Only Wood Pellet Fuel Specified By The Manufacturer. Do Not Use Pellet Fuel Labeled As Having Additives."*
- You must only use all natural wood pellets designed for burning in pellet grills.
- *"Do not use accessories not specified for use with this appliance."*

The pellet mean heating value in 30,000 BTU/LB(31,651 KJ/Kg), ash content < 1%.

There is no industry standard currently for barbecue wood pellets, although most pellet mills use the same standards to make wood pellets for domestic use. Further information can be found at www.pelletheat.org or the **Pellet Fuel Institute**.

Please contact your local food-grade pellets dealer on the quality of pellets in your area, and for information on brand quality. As there is no control over the quality of pellets used, moisture affected pellets. Halo Products Group LLC undertakes no responsibility for damage to the appliance caused by poor quality of fuel.

WHAT DO YOU NEED TO KNOW ABOUT CREOSOTE?

Creosote, or soot, is a tar-like substance. When burning, it produces black smoke with a residue which is also black in color. Soot or creosote is formed when the appliance is operated incorrectly, such as: blockage of the burn pot, blockage of the combustion fan, failure to clean and maintain the burn area, or poor air-to-fuel combustion.

"Creosote – Formation and Need for Removal. When wood pellets are burned slowly, they produce tar and other organic vapors that combine with expelled moisture to form creosote. The creosote vapors condense in a relatively cool oven flue and exhaust hood of a slow burning fire. As a result, creosote residue accumulates on the flue lining and exhaust hood. When ignited, this creosote makes an extremely hot fire."

It is dangerous to operate this appliance should the flame become dark, sooty, or if the burn pot is overfilled with pellets. When ignited, this creosote makes an extremely hot and uncontrolled fire, like a grease fire. Should this happen, turn the unit off, let it cool completely, then inspect for maintenance and cleaning. It commonly accumulates along exhaust areas.

If creosote has formed within the unit; allow the unit to warm up at a low temperature, turn off the appliance, then wipe away any formation with a hand towel. Like tar, it is much easier to clean when warm, as it becomes liquid.

"The grease duct should be inspected at least twice a year to determine when grease and/or creosote buildup has occurred."

"When grease or creosote has accumulated, it should be removed to reduce risk of fire."

WARNING DISPOSAL OF ASHES

Ashes should be placed in a metal container with a tight-fitting lid. The closed container of ashes should be placed on a non-combustible floor or on the ground, well away from all combustible materials, pending final disposal. When ashes are disposed by burial in soil, or otherwise locally dispersed, they should be retained in a closed container until all cinders have thoroughly cooled.

CARBON MONOXIDE "SILENT KILLER"

WARNING

Carbon monoxide (CO) is a gas that can kill you quickly. It is called the "silent killer" because it is colorless, odorless, tasteless and non-irritating. It's colorless, odorless, tasteless gas produced by burning gas, wood, propane, charcoal or other fuel.

Carbon monoxide reduces the blood's ability to carry oxygen. Low blood oxygen levels can result in headaches, dizziness, weakness, nausea, vomiting, sleepiness, confusion, loss of consciousness or death. Follow these guidelines to prevent this colorless, odorless gas from poisoning you, your family or others:

"Carbon monoxide is especially toxic to mother and child during pregnancy, infants, the elderly, smokers and people with blood or circulatory system problems such as anemia or heart disease."

Alcohol consumption and drug use increase the effects of carbon monoxide poisoning.

See a doctor if you or others develop cold or flu-like symptoms while cooking or in the vicinity of the appliance. Carbon monoxide poisoning, which can easily be mistaken for a cold or flu, is often detected too late.

WARNING

Make sure to clean out the ash from the burn pot after each use to ensure the proper function of your pellet grill. Failure to clean out the ash from burn pot after each use may cause the pellets not to ignite or may cause a build-up of pellets in front of the auger tube potentially causing a burn back inside the auger tube.

RECHARGEABLE LITHIUM-ION BATTERY PACK

IMPORTANT

Read and follow the information contained herein before handling the rechargeable battery. Keep this document in a safe place.

LITHIUM-ION BATTERY HAZARDS

Lithium-ion battery fire hazards are associated with the high energy densities coupled with the flammable organic electrolyte. This creates new challenges for use, storage, and handling. Studies have shown that physical damage, electrical abuse such as short circuits and overcharging, and exposures to elevated temperature can cause a thermal runaway. This refers to rapid self-heating from an exothermic chemical reaction that can result in a chain reaction thermal runaway of adjacent cells.

STORAGE

- Store batteries away from combustible materials.
- Remove batteries from the device for long-term storage.
- Store the batteries at temperatures between 41°F and 68°F.
- If practical, store batteries in a metal storage cabinet.

CHARGING PRACTICE

- Never charge a primary (disposable lithium or alkaline) battery; store one-time use batteries separately.
- Charge or discharge the battery to approximately 50% of capacity before long-term storage.
- Use chargers or charging methods designed to charge in a safe manner battery packs at the specified parameters.
- Disconnect batteries immediately if, during operation or charging, they emit an unusual smell, develop heat, change shape/geometry, or behave abnormally.
- Remove battery pack from chargers promptly after charging is complete.
- Do not use the charger as a storage location.

HANDLING AND USE

- Handle batteries and or battery-powered devices cautiously to not damage the battery casing or connections.
- Keep batteries from contacting conductive materials, water, seawater, strong oxidizers and strong acids.
- Do not place batteries in direct sunlight, on hot surfaces or in hot locations.
- Inspect batteries for signs of damage before use. Never use and promptly dispose of damaged or puffy batteries.
- Keep all flammable materials away from the operating area.
- Allow time for cooling before charging a battery that is still warm from usage and using a battery that is still warm from charging.
- Consider cell casing construction (soft with vents) and protective shielding for battery research and experimental or evolving application and use.

14 DISPOSAL

Dispose of damaged battery packs that no longer hold a substantial charge. To check the general condition of your cells, charge them, let them

rest for an hour, then measure the voltage. If your cells are close to 12V, the battery pack is in good condition.

SAFETY TIPS

- Keep battery out of sight and reach of children.
- Rechargeable Lithium-ion pack is potentially hazardous and can present a serious FIRE HAZARD, SERIOUS INJURY and/or PROPERTY DAMAGE if damaged, defective or improperly used.
- By purchasing the battery, you assume all risks associated with the battery. We are not responsible for any damages and consequential damages by using our products. Use at your own risk.
- Do not disassemble or modify the battery on any way. Vibration, puncture, contact with metals, or tampering with the battery can cause it to fail.
- Do not disassemble or modify the battery on any way. Vibration, puncture, contact with metals, or tampering with the battery can cause it to fail.
- Never leave the battery unattended while charging. If the battery becomes hot, smokes, swells, or gives off an odor during charging, terminate charging immediately.
- In the event the battery leaks and the fluid gets onto your skin or into your eyes, do not rub. Rinse well with water and immediately seek medical care. If left untreated, the battery fluid could cause damage to the eye and skin.

A FIRE IS MOST LIKELY TO OCCUR DURING THE CHARGING PROCESS UNDER THE FOLLOWING CIRCUMSTANCES

- **THE BATTERY HAS BEEN FULLY DISCHARGED AND IS NOT RECHARGED SHORTLY AFTERWARD.** This potential is aggravated if batteries are damaged, contain an undetected factory defect, are used or stored at temperature extremes, or are approaching the end of their useful life. Ideally, battery should be recharged within 24 hours of a full discharge.
- **CHARGING IS ATTEMPTED AT TEMPERATURES BELOW 40°F.** Charging below 40°F causes a chemical reaction in the battery cells that can cause permanent damage and the possibility of fire or explosion during charging.
- **THE BATTERY HAS BEEN EXPOSED TO LIQUIDS, ESPECIALLY SALT WATER.** Exposure to liquids can cause internal corrosion or damage to the cells or to the Battery Management System (BMS). The BMS protects the battery from overcharging, high self-discharge or imbalanced charging of the cells, any of which can present the possibility of fire during recharging.
- **OPERATING OR CHARGING A BATTERY THAT HAS BEEN DAMAGED FROM DROPPING OR FROM SHIPPING DAMAGE. USING A CHARGER OTHER THAN SPECIFICALLY DESIGNATED FOR THE PARTICULAR BATTERY.**

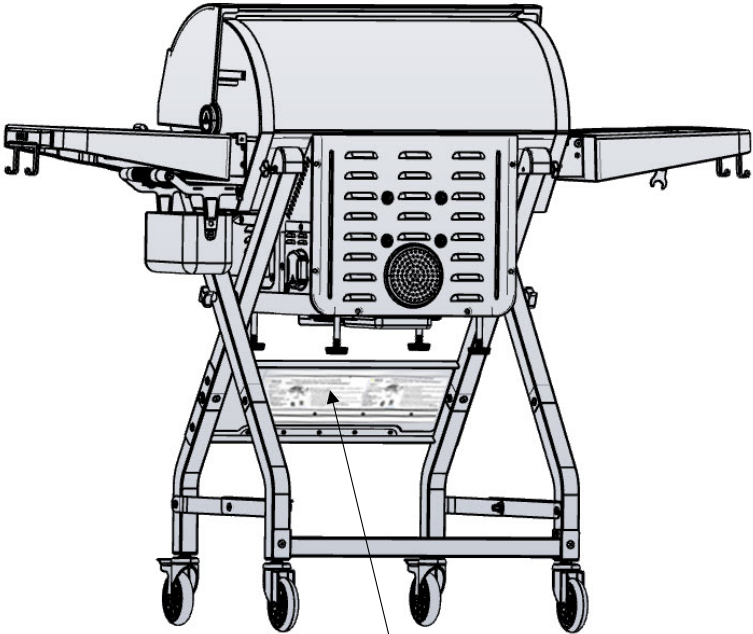
PRODUCT RECORD

IMPORTANT: Fill out the product information record below, or to register your product, visit our website at www.halo-pg.com.

Model Number: _____
Serial Number: _____
Purchase Date: _____



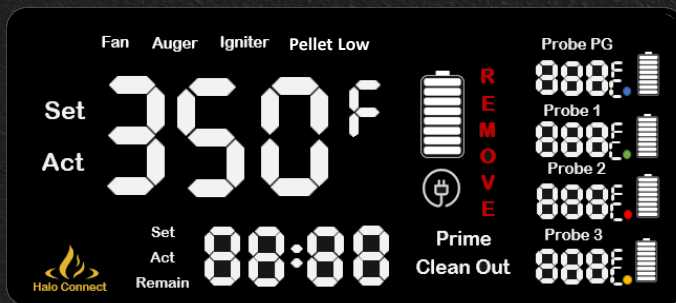
REGISTER



NOTICE: Model Number and Serial Number located on the back of front panel.

PRIME550 OPERATING INSTRUCTIONS

GETTING TO KNOW YOUR CONTROLLER



DIGITAL LED SCREEN

This is used as the information center for your unit. Push the control button once to power on the unit. The LED screen will display the following functions:

- Temperature (F or C)
- Timer
- Meat Probe Temperatures (if connected)
- Battery level (if powered by battery)
- A/C adapter icon (if powered by A/C adapter)
- Prime
- Cleanout
- Fan, Auger, Igniter indicator
- Battery REMOVE indicator (when applicable)

CONTROL KNOB

1. Push the control knob once to turn the unit on. The controller will flash several times and then turn to a solid screen. This lets you know your unit is powered on.
2. Push the control knob again, this will take you to the function screen where you can access the functions listed previously.
3. Rotate the knob until you see the function you need.
4. Push the control button to lock in after you have chosen the preferred function.
5. Press and hold the control button to turn the unit off. This will begin the 10 min cool down timer. The unit will automatically shut off when the timer has ended.
6. The following page will detail how to set each of the controller functions.



POWER

There are (2) options to power your HALO Prime550 Outdoor Pellet Grill:

1. With an A/C adapter that plugs into grounded (GFCI) outdoor receptacle 120 volt.
2. With a 12V Rechargeable Lithium-Ion Battery. You can use one power method or have both the battery and A/C adapter plugged into the unit at the same time.

CONTROLLER FUNCTIONS

After you've turned the unit on by pressing the control knob you can access the following functions:

CLEAN OUT

The cleanout function is used to remove the last remaining pellets from the pellet hopper and auger tube.

OPERATING THE CLEAN OUT FUNCTION

1. Push the control knob once to turn the unit on. The controller will flash several times and then turn to a solid screen. This lets you know your unit is powered on.
2. Push the control knob again, this will take you to the function screen where you can access the Temperature (F/C), Time, Meat Probe Temperature, Prime, and Cleanout functions, as well as the Battery level, A/C adapter, Fan, Auger, Igniter, and Battery removal indicators (when applicable.)
3. *Once you've turned the unit on by pushing the control knob* Rotate the control knob to select the Cleanout function. Push the button to lock in the cleanout function.
4. The cleanout function is set to run for 90 minutes. The remaining pellets will be fed through the burn pot into the 5-gallon bucket below. **Note:** you can shut off the Clean Out function at any time. You must reinsert the ash tray back in place before starting the unit. Failure to insert the tray back may cause fire and body injury.

IMPORTANT TO NOTE:

- The unit must be OFF, the AC adapter unplugged, and the battery removed before cleaning out the hopper manually.
- The unit must be cool before the Clean Out function is initiated. Do not use this function during startup or cooking foods. Failure to do so may cause fire inside the fire pot and cause damage to your pellet grill.
- Place a container large enough to hold the discarded pellets under the pellet clean-out fire pot opening. Pull the ash tray spring and then slide the ash tray forward to align the ash tray clean out directly under the fire pot to remove any ash. (Note: Release the spring pin as soon as you start to pull the tray forward to lock the tray into the ash clean-out position). Pull the ash tray spring pin once more to remove the tray completely out from the unit to empty the ash. See the Prime550 Pellet Clean Out section for details.

PRIME

The Prime function allows you to feed pellets into the burn pot to initially start your unit or to feed additional pellets during a smoke to get more smoke.

1. Rotate the knob to select the Prime function.
2. Push and hold the control knob for the prime function to feed additional pellets.
3. After you are finished priming the pellets into the burn pot, release the control knob and the auger will stop feeding pellets.

TEMPERATURE

1. Push the control button to lock in the Temperature function.
2. Rotate the knob to select your desired Temperature.
3. Pushing the control button will now start the unit.

MEAT PROBE

The plug-in connection for the meat probe is on the left side of the grill above the battery compartment. The meat probe temperature will appear on the controller after the meat probe is connected.

1. Push the control knob once to turn the unit ON. The controller will flash several times and then turn to a solid screen. This lets you know your unit is powered on.
2. Push the control knob again, this will take you to the function screen where you can access the Temperature (F/C), Time, Meat Probe Temperature, Prime, and Cleanout functions, as well as the Battery level, AC adapter, Fan, Auger, Igniter, and Battery removal indicators (when applicable.)
3. *Once you've turned the unit on by pushing the control knob* Rotate the knob to select the Meat Probe function.
4. Push the button to lock in the Meat Probe function, then rotate the control knob to the desired temperature you want your meat probe set and push the button to set.

IMPORTANT TO NOTE:

- Disconnect the meat probe from the jack receptacle and cover the port with the silicone cap when not in use.
- One meat probe is included with the unit.
- Use HALO brand meat probes only to prevent damage to the unit.
- The unit will go into WARM mode and the unit temperature will reduce when the meat probe reaches the set temperature. This will keep the food from continuing to cook before it is removed from the unit.

DEGREES F/C

1. Rotate the knob to the F (Fahrenheit) or C (Celsius) function and push the button to lock in this function.
2. Rotate the control knob to either F or C and push the control knob to lock in your choice.
3. Please note the default setting is Fahrenheit.

TIME

1. Rotate the knob to select the Time function.
2. Push the button to lock in the Time function. You can set the number of hours and minutes to time your smoke.
3. Rotate the control knob to the desired number of hours, then push the control knob to confirm the hours.
4. Rotate the control knob to set the desired number of minutes, then push the control knob to confirm the minutes.
5. The timer will count down to zero after your unit is started.

CONTROLLER INDICATOR LIGHTS

FAN

The fan icon will be lit when the fan is operating.

1. Supplies fresh air to the burn pot for combustion.
2. Generates an even fan-forced heat circulation, so your food cooks evenly on all sides.
3. Helps the pellets burn more efficiently.
4. Performs maintenance evacuation of ashes from burn pot during cooking and shutdown functions.

AUGER: PELLET FEED SYSTEM

The Auger function icon will appear during startup and switches ON and OFF during cooks to periodically feed the pellets.

1. Delivers the pellets from the pellet hopper, through the auger tube, to the burn pot at a controlled programmed speed for efficient combustion.
2. The amount of time the auger feeds pellets will depend on which temperature you want to grill or to smoke.

PELLET LOW

An infrared sensor inside the hopper detects when the pellet level is low, and the Pellet Low icon will appear. We recommend that you add pellets to the hopper so your cook will not be interrupted.

POWER SOURCE



BATTERY

There will be a battery icon on the controller after you insert the battery into the unit to let you know the grill is powered with battery.

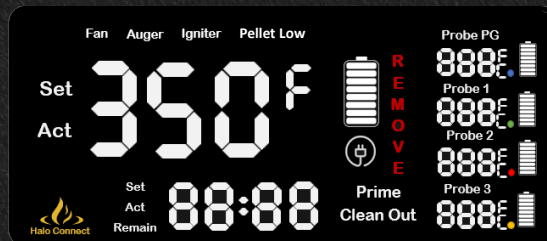


A/C ADAPTER

There will be an AC plug icon on the controller when the AC adapter is plugged into your unit to let you know the unit is powered on with AC power.

IMPORTANT TO NOTE:

- Both icons will appear on the controller when you have both plugged into your grill. Your grill is powered, but not on at this time.
- The battery will charge in the unit when the A/C adapter is plugged in. The average time for a battery to charge is between 5-6 hours. The alternative way to charge the battery is to remove the battery from the unit and charge it with a Halo charging dock. The charging dock can be acquired at www.halo-pg.com.



ELECTRONIC IGNITER

The igniter function icon will appear during the startup and switches ON and OFF during cooks to maintain temperature.

1. This is a type of ignition system that works electronic circuits, usually by transistors. The transistors are controlled by sensors to generate electric pulses which then generate a high voltage spark that can burn the lean mixture and provide a better economy and lower emission.
2. The igniter will come back on when the temperature falls 20 degrees below the set temperature.

BATTERY WARNING

1. If the controller displays the "REMOVE" icon in red, the battery needs to be removed from the unit promptly to prevent any damage to the battery.
2. This indicates the battery temperature is too high. Let the grill cool down to ambient temperature, insert the battery again, and restart the unit.
3. If this persists, please call Consumer Service at 1-833-572-1688.

PELLET GRILL BURN-OFF

This is the initial start up procedure when you're using your pellet grill for the first time.

1. Plug the A/C adaptor power cord into a grounded (GFCI) power supply or insert the Halo 12 Volt Lithium Battery (Battery Sold Separately).
2. Remove the grease plate to see the pellets entering the burn pot when priming the unit. Check the burn pot to make sure there is no obstruction for proper ignition. Open the hopper lid. Make sure there are no foreign objects in the hopper or auger feed system entry at the bottom of the hopper. Fill the hopper with dry, all natural barbecue hardwood pellets.
3. Push the control knob once to turn the unit on, the screen will flash then turn to solid screen. Push the control button a second time to get to the function screen and turn the control button to the Prime function. Push and hold the control button to start feeding pellets. Keep holding the button until you see or hear pellets dropping into the burn pot, then release the control button.

! IMPORTANT

- Make sure there are some pellets covering the electrode.
- Replace the grease plate and cooking grid into the unit.
- Make sure the searing damper is closed.

4. Push the control knob and rotate to the Temperature function. Press the control knob. Rotate the control knob again to set to 350°F (177C), push the control button to lock in this temp and start the grill. Allow the unit to preheat for approx. 30-45 minutes. This is used to burn off any residual

oils that might be on the inside of the grill. The lid must be closed during the burn off cycle.

! IMPORTANT

Listen for a roar coming from the burn pot, and notice some heat and smoke being produced. This lets you know the unit is functioning correctly.

5. The desired temperature for smoking, cooking or searing can be set after the burn-off period is complete.
6. Shut the unit down and allow the unit to cool off to ambient temperature. It may take some time for the unit to drop to a lower temperature setting.

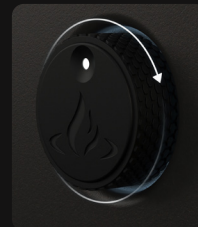
! IMPORTANT

The auger will continue to turn and feed pellets once you select a lower temperature setting after burn-off. This will momentarily raise the temperature, but the temperature will eventually decrease and stabilize at your desired set temperature. Remember, you are trying to regulate the heat, so time is necessary to achieve your desired set temperature.

PELLET GRILL START UP

This is the standard start up procedure for using your pellet grill any time after the initial burn-off.

1. Plug the A/C adaptor power cord into a grounded (GFCI) power supply or insert the Halo 12-Volt Lithium Battery (Battery Sold Separately).
2. Push the control button once to turn the unit on, the screen will flash then turn to a solid screen. Push the control button a second time to get to the function screen. Turn the control button to the Temperature function. Push the control button once



more to confirm the Temperature setting, then rotate the control button to the desired smoke, cook or sear temperature. Push the control button one more time to set the temperature and start the unit.

! IMPORTANT

Make certain the searing damper is closed.

3. The ignitor will come on for a few seconds to confirm the ignition is functioning properly and the igniter icon will appear on the top of the controller screen. The unit will feed pellets into the burn pot and the ignitor will come on again to start your unit.
4. The unit is lit when the temperature on the controller increases, and smoke is coming from the back of the unit.

! IMPORTANT

- It may take about 20–30 minutes for the temperature to stabilize based on the type or brand of pellets you are using. If you are having ignition issues, you may need to open the searing damper during the startup procedure to ensure proper ignition. This can also be affected by the type or brand of pellets you're using.
- This pellet grill has a searing damper feature. It is recommended when smoking food, the searing damper is closed to help obtain consistent temperatures across the whole cooking surface.
- The sear feature is used to quickly sear a piece of food over an open flame. This is typically done at the higher temperature settings (350°F – 500°F) after your smoke is complete.
- The searing damper is in the closed position when the searing damper handle is pushed toward the pellet grill body and in the open position when the handle is extended away from the pellet grill body.
- The hopper capacity is approx. 14 lbs. of pellets. This will typically last between 10–20 hours depending on the temperature setting. Make sure your hopper is full before you start your smoke or cook. This will ensure that you will not have to refill the hopper during your smoke.

PELLET GRILL SHUT-OFF

1. When finished cooking, turn the temperature dial to 350°F/176°C with lid closed. Let your pellet grill run for 10 to 20 minutes to go through its normal cleaning method. If you have been preparing foods that are extra greasy, allow the pellet grill to burn-off for an extra 10 to 20 minutes. This will reduce the chance of causing a grease fire for the next start-up.
2. To turn your unit OFF, push and hold the control knob until the fan increases speed and the controller screen displays a 10-minute countdown. The unit will now begin its automatic cool-down cycle. The auger system will stop feeding pellets, the flame will burn out, and the fan will continue to run until the cool-down cycle is complete. The shutdown mode will last 10 minutes.
3. After the cool down cycle is complete, if using power from A/C adapter, unplug from the electrical outlet. If using battery power, you can remove the battery from the battery housing by pushing in on the battery- it will spring back to disconnect from the controller.
4. Replace the battery with the faux battery case that comes with the unit to ensure they remain protected from environmental factors such as humidity, water, and dirt. You can also charge the battery by leaving the battery in the housing with A/C plugged in. The battery will replenish its full energy within 5-6 hours.



IGNITER FAILURE PROCEDURE

If for any reason your igniter fails, check the following steps, or start your grill using the manual method.

1. Open lid. Remove the cooking grid and grease plate. Remove all unburnt pellets and ash from the burn pot. Avoid touching the electrode to avoid injury, as it may be extremely hot.
2. Push the control knob once to turn the grill on. The controller will flash several times and then turn to a solid screen. This is to let you know your grill is powered on.
3. Push the control knob again, this will take you to the function screen where you can access all functions.
4. Push the control button to lock in the Temperature function, then rotate the knob to select the Temperature you desire
5. Push the control button to start the unit.

Check the following:

- Visually check that the electrode is continuously sparking.
 - Visually check that the auger is dropping pellets into the burn pot.
 - Check that the combustion fan is working (listen for a torchy roar.)
 - The unit should start up correctly if all of these function properly.
 - Reinstall the grease plate, warming rack, and cooking grid if the unit is operating.
6. If any of the above points are not working, follow the troubleshooting instructions.

WARNING

Make sure to clean out the ash from the burn pot after each use to ensure the proper function of your pellet grill.

MANUAL START-UP

Use this manual start-up procedure if you have already attempted a normal start-up and cannot get your pellets to light.

1. If your unit is already on and you have set the temperature, but the unit did not light, please proceed to step 3. If your unit is off, please proceed to step 2.
2. Plug the A/C adaptor power cord into a grounded (GFCI) power source or Halo 12 V rechargeable Lithium-ion battery. Refer to the "Pellet Grill Start Up" section to turn your unit on and select a temperature setting.
3. Remove the cooking grid and grease plate to visually check the burn pot and make sure there is no obstruction for a proper spark.
4. Open the hopper lid. Make sure there are no foreign objects in the hopper or auger feed system. Fill hopper with dry, all natural hardwood barbecue pellets if not already full.
5. If there aren't any pellets in the burn pot, place a handful of pellets into the burn pot or push the PRIME button to feed the pellets into the burn pot. If there are pellets in the burn pot already, proceed to Step 6.

Check the following:

Make sure you have enough pellets in the burn pot to cover the electrode.

DANGER

Do not use spirit, petrol, gasoline, lighter-fluid or kerosene for lighting a fire in your pellet grill.

6. Light the pellets inside the burn pot using a butane torch. Allow the pellets to burn for 1 to 2 minutes. Do not attempt to add more pellets into the burn pot. This can cause an uncontrolled fire.
7. Carefully place the grease plate, cooking grid and install the searing damper linkage handle. The lid and sear damper must remain closed during the start-up cycle.
8. Your unit should now operate correctly.

IMPORTANT

Make sure to clean out the ash from the burn pot after each use to ensure the proper function of your pellet grill.

TIMER

Your HALO Pellet Grill comes equipped with a convenient timer. The Timer function does not impact grill operation; you can set the TIMER to notify you of other chosen steps during cooking, like loading food items into the grill or basting your meat.

To Start the Timer

1. Push the Control knob once to turn the unit on. The controller will flash several times and then turn to a solid screen. This is to let you know your grill is powered on.
2. Push once more, this will take you to the function screen where you can access all functions. Rotate the control knob to select the Time function.
3. Rotate the control knob to the desired number of hours and push the control knob to confirm the hours. Then rotate again to set the desired number of minutes and push the control knob to confirm the minutes.
4. The timer will count down to zero when the unit is started.

To Adjust the Timer

You can change your timer setting by repeating steps 1-4 above.

BATTERY OPERATION*

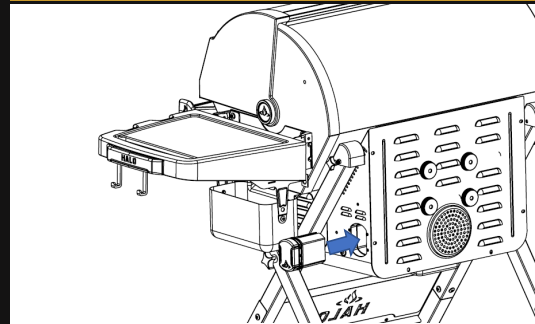
1. Push on the battery case in to allow the faux battery case to disengage from the housing. Remove the faux battery case that come with the unit and set aside, then insert the battery. Push the battery in to allow the spring-loaded plunger to lock the battery in place.
2. There will be a battery icon on the controller after you insert the battery into the unit to let you know the grill is powered with battery and how much life is left on the battery.

* Battery sold separately.

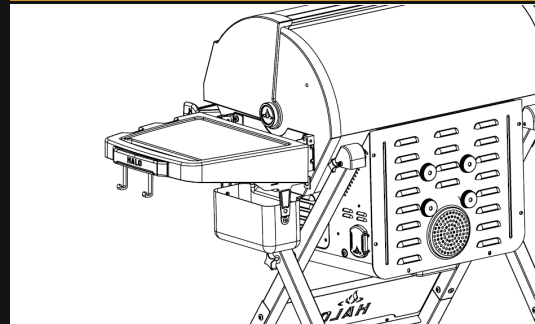
! IMPORTANT

- There is a magnet on the end of the spring-loaded plunger that will hold the battery in place when it is inserted and disengaged.
- The battery will charge in the unit when the A/C adapter is plugged in. The average time for a battery to charge is between 5–6 hours. The alternative way to charge the battery is to remove the battery from the unit and charge it with a Halo charging dock. The charging dock and battery pack can be acquired at www.halo-pg.com.

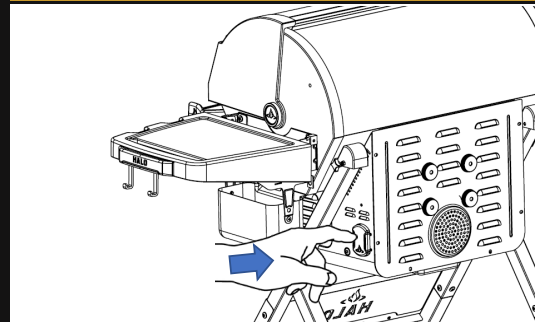
Insert Battery



Battery Engaged



Battery Disengaged



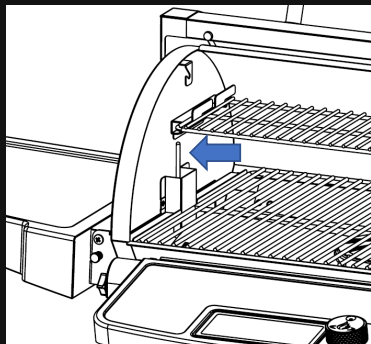
TEMPERATURE PROBE

WHAT IS RTD TEMPERATURE PROBE?

The HALO Prime550 has an RTD (Resistance Temperature Detector) sensor probe inside the grill. The probe is usually located on the left-hand side of the cooking chamber, where the hopper is shielded with “C” bracket.

RTD-TEMPERATURE PROBE

Located inside the smoke chamber, on the left, is the RTD-temperature probe. It is a small, vertical piece of stainless steel. The temperature probe measures the internal temperature of the unit. When the temperature is adjusted on the Control Board, the temperature probe will read the actual temperature inside the unit and adjust to the desired temperature.

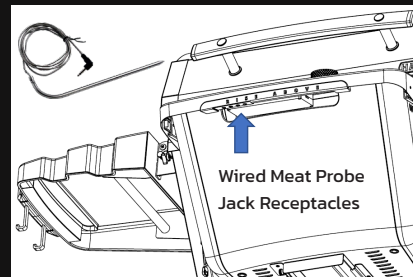


! IMPORTANT

The temperature of your unit is highly affected on ambient outdoor weather, quality of pellets used, flavor of pellets, and the quantity of food being cooked.

MEAT PROBE

The meat probe measures the internal temperature of your meat in the smoke chamber. Plug-in the meat probe adapter to the meat probe connection port and insert the stainless-steel meat probe into the thickest portion of your meat and the temperature will be displayed on the control board. To ensure the meat probe is connected properly to the connection port, feel and hear it snap into place.



! IMPORTANT

- When placing the meat probe into your meat, ensure the meat probe and meat probe wires avoid direct contact with flame or excess heat. This can result in damage to your meat probe. Run the excess wire out along the edge of the front lid. When not in use, disconnect from the meat probe connection port and place aside to keep it clean and protected.
- Make sure to place the protective cap in place to prevent any moisture accumulation inside the jack receptacle.

FIRST USE-PELLET GRILL BURN-OFF

Before using your pellet grill for the first time with food, it is important to complete a burn-off. Start the pellet grill and operate it at the highest heat (350-375°F)/(176-191°C) with the lid closed for 30 to 45 minutes to burn-off and get rid of any impurities.

CARING FOR YOUR PRIME550

An important step is allowing the smoke chamber and cooking grid to self-clean by running the pellet grill at a high temperature for 10 to 20 minutes after each use. Follow these cleaning and maintenance tips to service your pellet grill:

WARNING

Make sure to clean out the ash from the burn pot after each use to ensure proper function of your pellet grill. Failure to clean out the ash after each use may cause difficulty in igniting the pellets or may cause a build-up of pellets in front of the auger tube potentially causing a burn back inside auger tube.

01. CLEANING INSIDE SURFACES

WARNING

Press the controller dial for 2 seconds to Turn OFF the unit and disconnect the A/C Adaptor power cord or detach the battery pack.

CAUTION

Accumulated grease is easier to clean off when the grill is still warm but not hot. Be careful not to burn yourself. Gloves are recommended.

- Periodically clean the grease out of the grease plate and grease drain. If too much grease is allowed to build up in the grease drip tray or is allowed to plug the grease drain, could cause a grease fire. We strongly recommend cleaning these locations regularly.
- Remove the porcelain-coated grill grid and the grease cup. Scrape the grease accumulation from inside the grease drip tray using a scraper, nonmetallic tool. The grease plate may be washed in hot, soapy

water. Wipe up remaining grease residue with paper towels or disposable rags. Paper towels or disposable rags can also be used to wipe some of the grease off of the interior surfaces of the grill.

02. CLEANING THE RTD SENSOR AND MEAT PROBE

- Folds and twists in the probe wire may cause damage. A meat probe not in use should be rolled up in a large, loose coil.
- Even though the probe made from a stainless steel, use a wet washcloth with mild detergent to clean. Do not place it in the dishwasher or submerge it in water. Water damage to the internal wires will cause a probe to short-out, causing false readings. If a probe is damaged, it should be replaced.

03. CLEANING THE COOKING GRID

CAUTION

Be careful not to burn yourself. Cleaning the grill grid works best while still warm. A long-handle cleaning brush is recommended.

- After removing your food, give the grill grid a quick brush. It takes only a minute to get it ready for the next time you want to grill.
- Another option is to use warm water and mild detergent to clean the cooking grid.

04. CLEANING OUTSIDE SURFACES

⚠ WARNING

- Press the controller dial for 2 seconds to Turn OFF the unit and disconnect the A/C Adaptor power cord. Make sure that the pellet grill is COLD before cleaning outside surfaces.
- Use a throwaway cloth dampened with warm, soapy water to wipe the grease from the outside of the grill.
- DO NOT use oven cleaner, abrasive cleansers, or abrasive cleaning pads on the outside grill surfaces.

05. CLEANING THE ASH FROM INSIDE THE FIRE CHAMBER AND FROM AROUND THE BURN POT

⚠ WARNING

Make sure that the pellet grill is COLD before cleaning the ash.

⚠ WARNING

- Disposal of ashes should be done only according to the following instructions. Excess ash in the firepot may cause your fire to go out. The firepot should be inspected after each use and cleaned to remove the ash buildup. **NOTE:** Cleaning the ash from in and around the firepot should be done only when the pellet grill is cold.
- Remove the grill grates, grease drip tray, and heat shield to provide access to the firepot and the interior of the grill. Much of the ash outside of the firepot can be removed from the grill with a small metal fireplace shovel or other similar tool.

⚠ WARNING

- A vacuum cleaner is the best way to remove ashes from the burn pot, but this must be done with extreme care to avoid the risk of fire.
- Recommend a utility-type, bag-less vacuum cleaner with a metal collection canister would be best for this task. However, almost any vacuum cleaner will work safely if this procedure is properly followed.
- If your vacuum cleaner is a bag-less model, empty any previously accumulated debris from the collection chamber. Then vacuum the ashes

from the inside of the burn pot. Once the burn pot is clean, empty the collection chamber into the metal container described below without delay. Make sure that there is no remaining ash residue left in the collection chamber.

- If your vacuum cleaner is a model that uses a disposable bag, install an unused bag in the machine. Then vacuum the ashes from the inside of the burn pot. Once the burn pot is clean, remove the bag from the vacuum cleaner and place it in the metal container described below without delay.

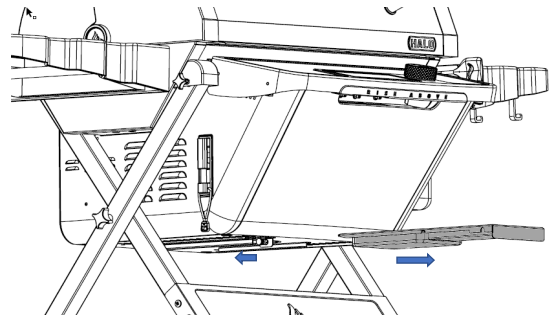
⚠ WARNING

Make sure to clean out the ash from the burn pot after each use to ensure the proper function of your pellet grill. Failure to clean out the ash from fire pot after each use may cause the pellets not to ignite or may cause a build-up of pellets in front of the auger tube potentially causing a burn back inside auger tube.

06. DISPOSAL OF ASHES

⚠ WARNING

Ashes should be placed in a metal container with a tight-fitting lid. The closed container of ashes should be placed on a non-combustible floor or on the ground, well away from all combustible materials, pending final disposal. When the ashes are disposed of by burial in soil or otherwise locally dispersed, they should be retained in the closed container until all cinders have cooled thoroughly.

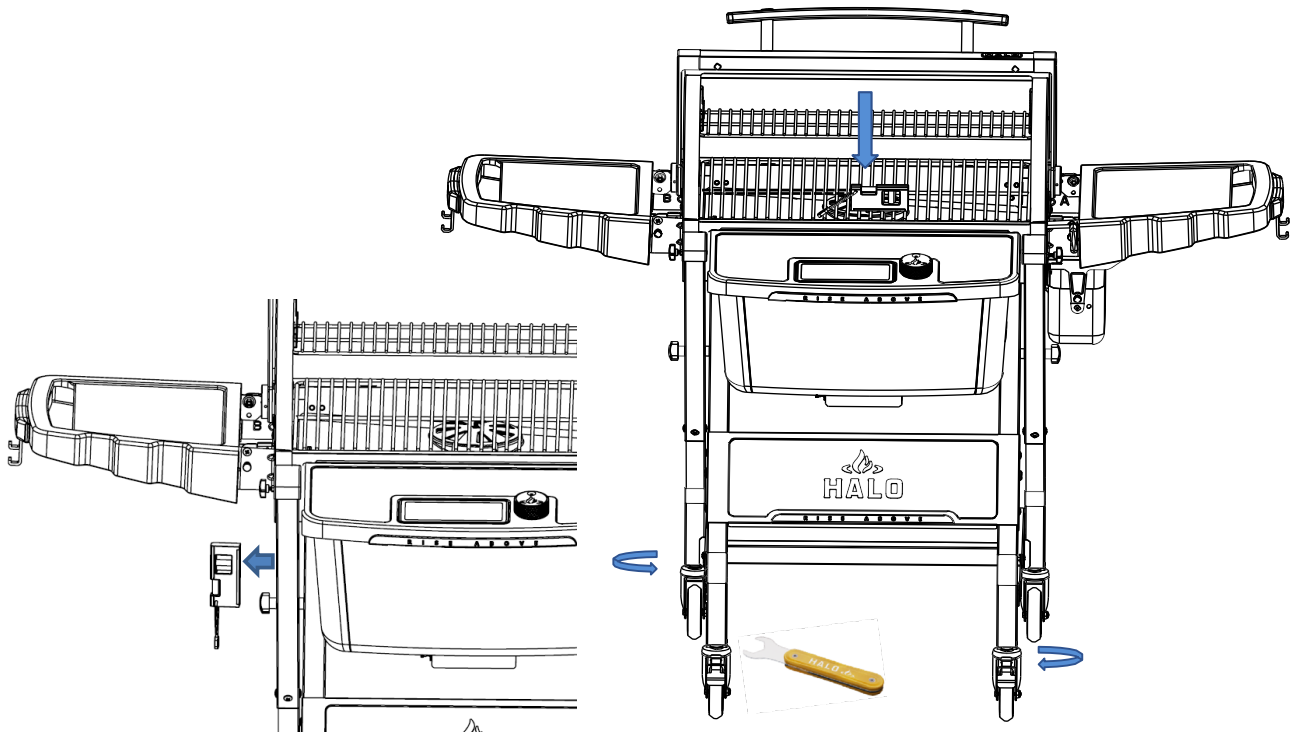


Remove Ash Tray to Dispose of Ashes – Pull out the Release Spring Pin on the left side of the unit, then pull the tray outward to empty the ashes.

LEVELING YOUR PRIME550

We made leveling your cooking surface easier. Use the provided leveler (located on the left front of the grill) and M12 castor wrench when adjusting the pellet grill feet (casters) before cooking.

NOTE: Before using the unit, level it when it is cool.

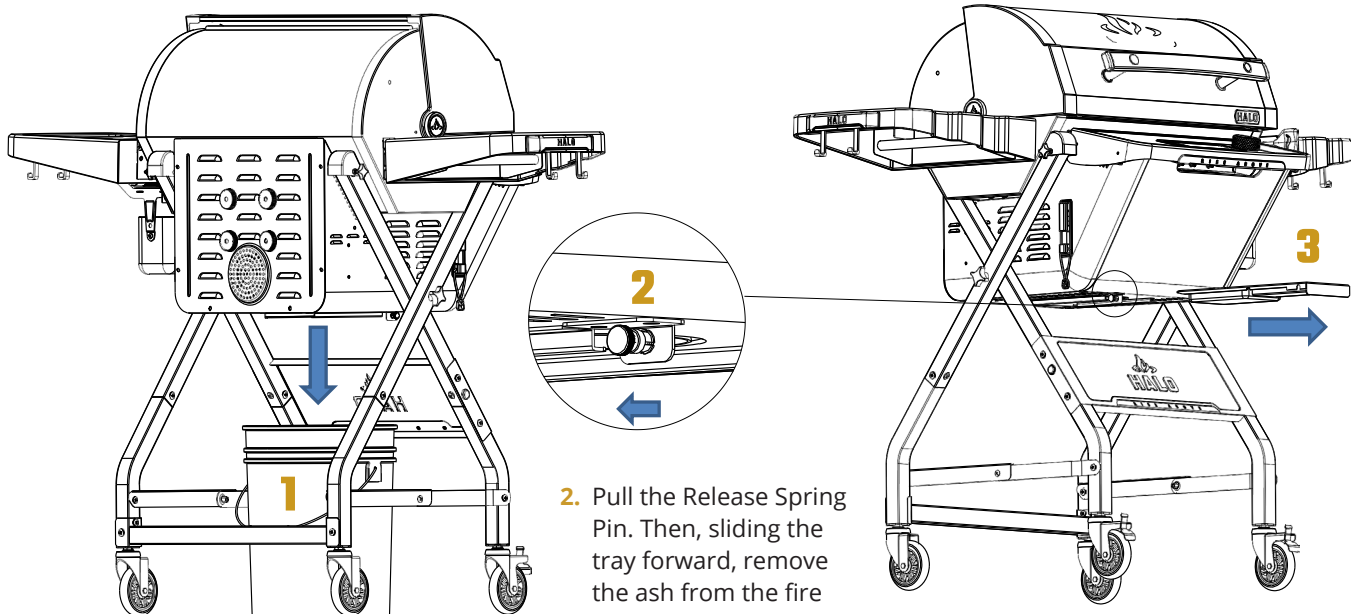


Turn clockwise
to reduce the height

Turn counterclockwise
to increase the height

PRIME550 PELLETT CLEAN OUT

Clean the ashes from your pellet grill by using the following steps:



1. Place a container large enough to hold the discarded pellets under the fire pot opening.

2. Pull the Release Spring Pin. Then, sliding the tray forward, remove the ash from the fire pot.

3. Pull the Release Spring Pin once more to completely remove the tray out from the grill. Then, follow the **Operating Cleanout Function** steps on page 17.

TIPS + TECHNIQUES

FOOD SAFETY

Basic Guidelines for Food Preparation

- Always wash hands with warm water and soap for 20 seconds before and after handling food. Don't cross-contaminate.
- Keep raw meat, poultry, fish, and their juices away from other food. After cutting raw meats, wash cutting board, utensils, and counter tops with hot, soapy water.

Serving and Holding Food

- Hot food should be held at 140°F (60°C) or higher. Cold food should be held at 40°F (5°C) or lower. Never thaw food at room temperature. There are four methods that can be used to safely thaw food:

REFRIGERATOR	MICROWAVE	RUNNING WATER	COOKING
Thaw in refrigerator or cooler at 40°F (5°C) or lower.	Food must be cooked fully immediately after thawing in microwave.	Submerge food under running water that is 70°F (21°C) or lower in a clean, sanitized sink.	Thaw food as part of the cooking process.

Cooking Guidelines

- Food must be cooked to its recommended minimum internal temperature. Once that temperature is reached, the food must be held at that temperature for a specific amount of time. Use a thermometer with a probe to ensure food has reached the correct temperature.
- Cooked foods should not be left out in the heat for more than an hour. Do not leave hot foods out of refrigeration for more than two hours.
- Defrost and marinate meats by refrigeration. Do not thaw meat at room temperature or on a counter top. Bacteria can grow and multiply rapidly in warm, moist foods. Wash hands thoroughly with hot, soapy water before starting any meal preparation and after handling fresh meat, fish and poultry.

FOOD TYPE	TEMPERATURE/TIME
<ul style="list-style-type: none"> • Poultry (whole or ground chicken, turkey) • Stuffing made with fish, meat or poultry • Stuffed meat, seafood, poultry or pasta 	165°F (74.3°C) for 15 seconds
<ul style="list-style-type: none"> • Ground beef, pork and seafood • Injected meat such as brined hams • Mechanically tenderized meat 	155°F (68.3°C) for 15 seconds
<ul style="list-style-type: none"> • Seafood • Steaks/chops of pork, beef, veal and lamb 	145°F (62.7°C) for 15 seconds
<ul style="list-style-type: none"> • Roasts of pork, beef, veal and lamb 	145°F (62.7°C) for 4 minutes

Cook Foods Adequately

- When foods are not cooked evenly, they tend to still have some micro-organisms, which may further trigger serious health conditions when ingested. But when you cook your food adequately, the heat produced during that process will help kill most of the harmful micro-organisms, and thus shielding you against severe illnesses.

Cooking Preparation

- When switching from a high temperature to a low temperature, open the LID and leave it open until the actual temperature is close to your desired temperature. This speeds up the process and ensures the fire will not go out. This refers to preparing the cooking recipe, fuel, accessories, utensils, and all ingredients you require at your side before you start cooking. Also, read the entire recipe, start to finish, before lighting the pellet grill. **NOTE:** Due to food handling accidents and cooking splatter, a BBQ floor mat would protect a deck, patio, or stone platform from the possibility of grease stains or accidental spills.

Smoking Tips and Techniques

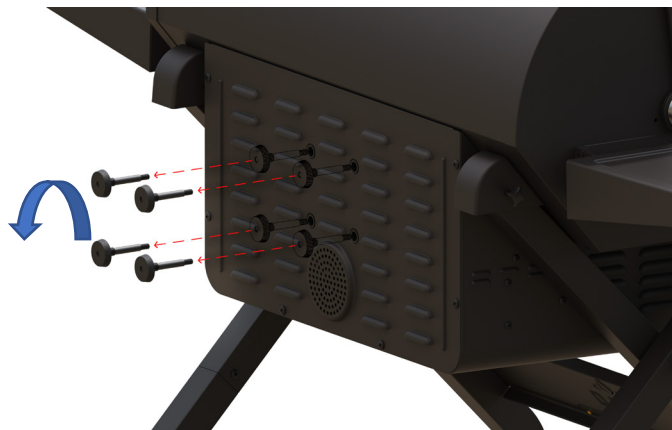
- To permeate more smoke flavor into your meats, cook longer and at lower temperatures. Prepare meat at a low temperature between 180–225°F (82–107°C) for an extended period. At this low temperature, red meat takes two hours per pound, while white meat takes 40 minutes per pound, which is considerably longer than high-heat cooking.
- Always use a meat thermometer to determine the internal temperature of the foods you are cooking. Smoking foods with hardwood pellets will turn meats and poultry pink. The band of pink (after cooking) is referred to as a smoke ring.
- Sugar-based sauces are best applied near the end of cooking to prevent burning and flare-ups.
- Leave open space between the foods and the extremities of the cooking chamber for proper heat flow. Food on a packed pellet grill will require more cooking time.
- Use a set of long-handled tongs for turning meats, and a spatula for softer items like fish and cheese. Using a piercing utensil, such as a fork, will prick the meat and allow the juices to escape.
- Don't worry if it gets dark! The meat should have a dark mahogany crust that is nearly black. This is called "bark," which is the result of fat, spices and smoke developing a caramelized crust over the meat. Before you take the meat off the grill, make sure it has a nice layer of bark.
- Open the lid sparingly. Every time you open the grill, you lose heat and smoke—two important elements for great smoked flavor. Open the lid only when you really need to tend to the fire or the food. Relax, have a beverage and keep the lid on!



CONVERTING YOUR PELLET GRILL

HOW TO CONVERT YOUR PELLET GRILL FROM PORTABLE TO TABLETOP

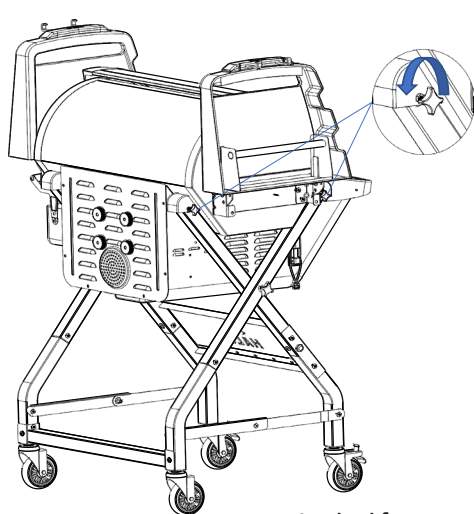
- 1** Remove legs from the back panel.



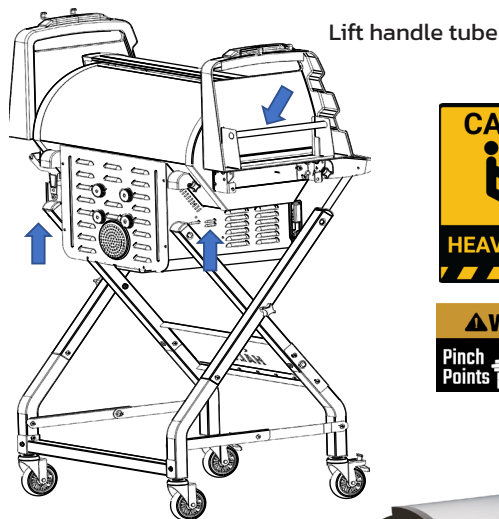
- 2** Install feet to the bottom of the grill by turning counterclockwise.

3 Loosen (4) 1/4"-20 Knob with threaded shaft, then pull out the release spring pins to lift up the side tables.

With the help of friends, use the lift handle tubes under the side tables to lift the Chamber Assembly off the cart.



Locked front casters



4 Place the Cooking Chamber Assembly on a park bench or table with the help of a friend.



TROUBLESHOOTING

Proper cleaning, maintenance and the use of clean, dry, quality fuel will prevent common operational problems. The following troubleshooting tips may be helpful for when your **HALO Prime550 Outdoor Pellet Grill** is not operating as it should.

ERROR MESSAGE ON CONTROLLER DISPLAY

You may see an error message displayed on your control panel. Please refer to the following chart for potential issues and how to resolve them:

CODE:	ERROR:	SOLUTION:
ERL	Low Temperature: Temperature can't rise 20F for more than 14 min after start up	Remove pellets from the burn pot and make sure the hopper is full of pellets.
	Temperature drops below set temperature and reignites for more than 20 min	Turn the controller OFF and then ON again and restart grill.
ERF	Blower Fan Malfunction	Replace the blower fan. Turn the controller OFF and then ON again and restart grill.
	Blower Fan Stuck	Remove debris causing the blower fan to stick. Turn the controller OFF and then ON again and restart grill.
	Blower Fan Connector Loose	Check the blower fan connector. Turn the controller OFF and then ON again and restart grill.
ERH	High Temperature: Temperature exceeds the allowable temperature 600°F	Let the grill cool down, then turn OFF grill. Clear out any remaining pellets from the burn pot and restart grill. If the problem persists, call Consumer Service.
ERC	Igniter Malfunction	Unplug A/C adaptor and wait 3-5 minutes for the igniter to cool down, and restart your pellet grill. If the problem persists, replace the igniter.
	Igniter Connection Loose	Check igniter connector. Turn the controller OFF and then ON again and restart grill.
ERN	Auger Jammed	Clean out pellets in hopper to remove debris causing auger to jam. Turn the controller OFF and then ON again and restart grill.
	Auger Motor Malfunction	Replace auger motor. Turn the controller OFF and then ON again and restart grill.
	Auger Motor Connector Loose	Check auger motor connector. Turn the controller OFF and then ON again and restart grill.
ERR	RTD Sensor Malfunction	Replace the RTD sensor. Turn the controller OFF and then ON again and restart grill.
	RTD Sensor Connector Loose	Check the RTD sensor connector. Turn the controller OFF and then ON again and restart grill.
ERU	Power Supply Overload	Turn the controller OFF and then ON again and restart grill. If the problem persists, replace the A/C adapter.

WARNING

Make sure to clean out the ash from the burn pot after each use to ensure the proper function of your pellet grill. Failure to clean out the ash from fire pot after each use may cause the pellets not to ignite or may cause a build-up of pellet in front of the auger tube potentially causing a burn back inside auger tube.

WARNING

Always disconnect the electrical cord prior to opening Halo pellet grill for any inspection, cleaning, maintenance or service work. Ensure the unit is completely cooled to avoid injury.

NO POWER LIGHTS ON THE CONTROLLER

POSSIBLE CAUSE:

- Power Button
- Not Connected To Power Source, GFCI Outlet Has Tripped
- Faulty controller
- Battery not placed in unit

SOLUTION:

- Press the Power Button. Try another attempt and hold for two seconds to verify connection.
- Make sure the unit is plugged into a working power source. Reset breaker. Make sure GFCI is a minimum 10 Amp service (see Electrical Wire Diagram for access to electric components). Ensure all wire connections are firmly connected and dry.
- Controller needs to be replaced. Call Consumer Service for a replacement part.
- Insert the battery if using battery power. Check that the battery is fully charged.

PELLETS IN BURN POT WILL NOT LIGHT

POSSIBLE CAUSE:

- Auger not primed
- Auger motor is jammed
- Igniter failure

SOLUTION:

- Before the unit is used for the first time or anytime the hopper is completely emptied out, the auger must be primed to allow pellet fill the burn pot. If not primed, the igniter will timeout before the pellets ignite.
- Remove cooking grid and grease plate. Press the Power Button and turn to select Set mode to turn the unit ON and to inspect the auger feed system. Visually confirm that the auger is dropping pellets into the burn pot. If not operating properly, call Consumer Service for assistance or a replacement part.
- Remove cooking grid and grease plate from cooking chamber. Press the Power Button to turn the unit ON. Turn Control Dial to Set and press to inspect the igniter. Visually confirm that the igniter is working by seeing the sparks between the two electrodes. Visually confirm that the igniter gap is approximately 6mm / 0.25 inches in the burn pot. If not operating properly, follow Manual Start-up Procedure to continue use of pellet grill. Call Consumer Service for assistance or a replacement part.

PELLET GRILL WILL NOT ACHIEVE OR MAINTAIN TEMPERATURE

POSSIBLE CAUSE:

- Insufficient Air Flow Through Burn Pot
- Lack Of Fuel, Poor Fuel Quality, Obstruction In Feed System
- Temperature sensor (RTD)

SOLUTION:

- Check burn pot for ash build-up or obstructions. Follow **Care and Maintenance** instructions for ash build-up. Check the fan to make sure it is working properly, and air intake is not blocked. Follow **Care and Maintenance** instructions if dirty. Check auger motor to confirm operation, and make sure there is no blockage in the auger tube. Once all the above steps have been done, start the pellet grill, set temperature to 300°F (148°F) and ignite the pellet grill. Check the fire is bright and vibrant.
- Check hopper to check that fuel level is sufficient and refill if low. Should be poor quality of wood pellets, or the length of the pellets too long, this may cause an obstruction in the hopper and auger. Remove pellets and follow **Care and Maintenance** instructions.
- Check status of temperature probe. Follow **Care and Maintenance** instructions if cover with creosote. Contact Consumer Service for a replacement part if damaged.

PELLET GRILL PRODUCES EXCESS OR DISCOLORED SMOKE

POSSIBLE CAUSE:

- Grease build-up
- Quality of wood pellets
- Blocked burn pot
- Insufficient air intake for fan

SOLUTION:

- Follow **Care and Maintenance** instructions.
- Remove moist wood pellets from hopper. Follow **Care and Maintenance** instructions to clean out. Replace with dry wood pellets.
- Remove moist wood pellets from burn pot and hopper and clear the auger tube by select **Clean Out** mode.
- Check the fan and make sure it is working properly and air intake is not blocked. Follow **Care and Maintenance** instructions if dirty.

FREQUENT FLARE-UPS

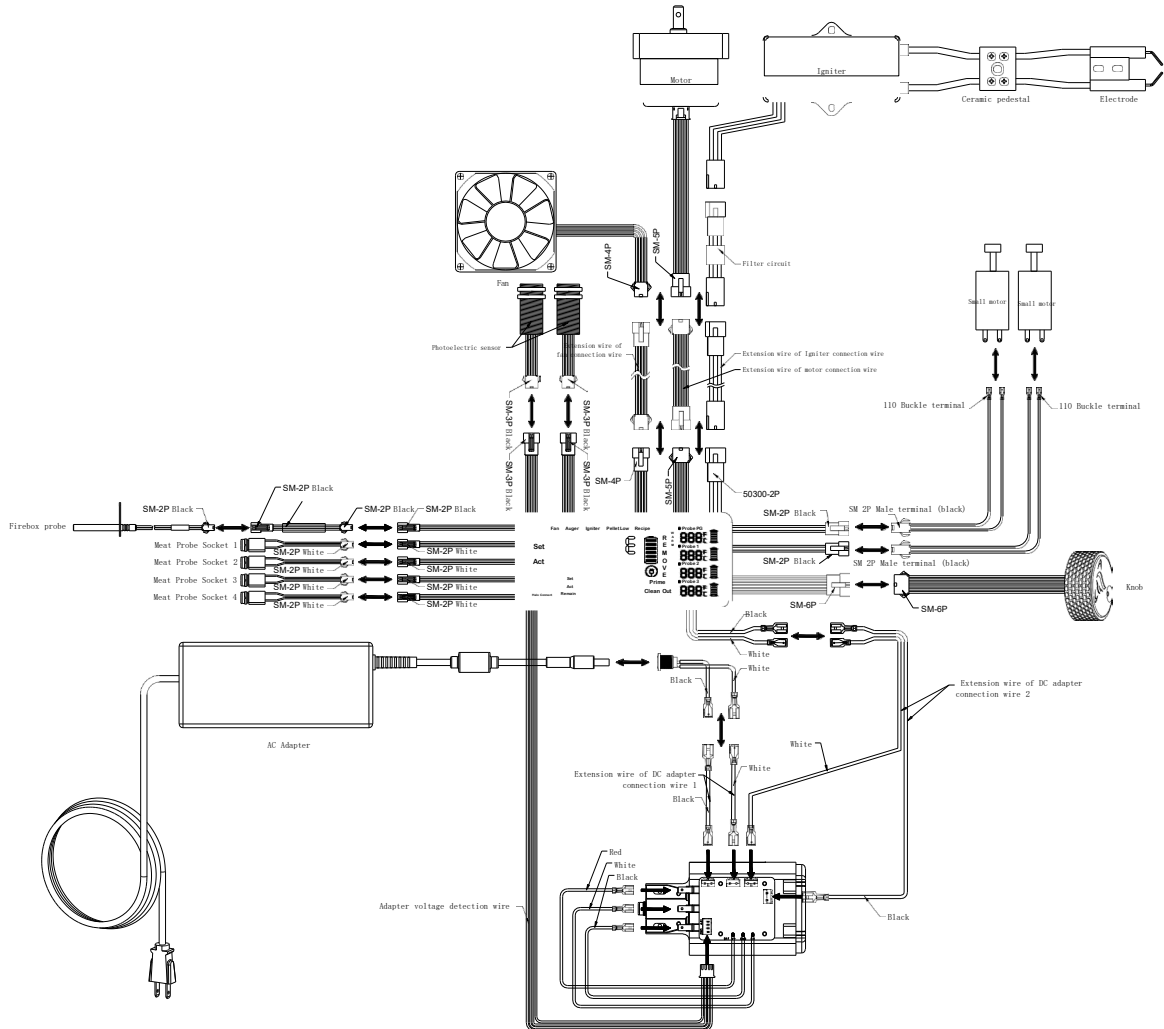
POSSIBLE CAUSE:

- Cooking temperature
- Grease build-up on cooking components

SOLUTION:

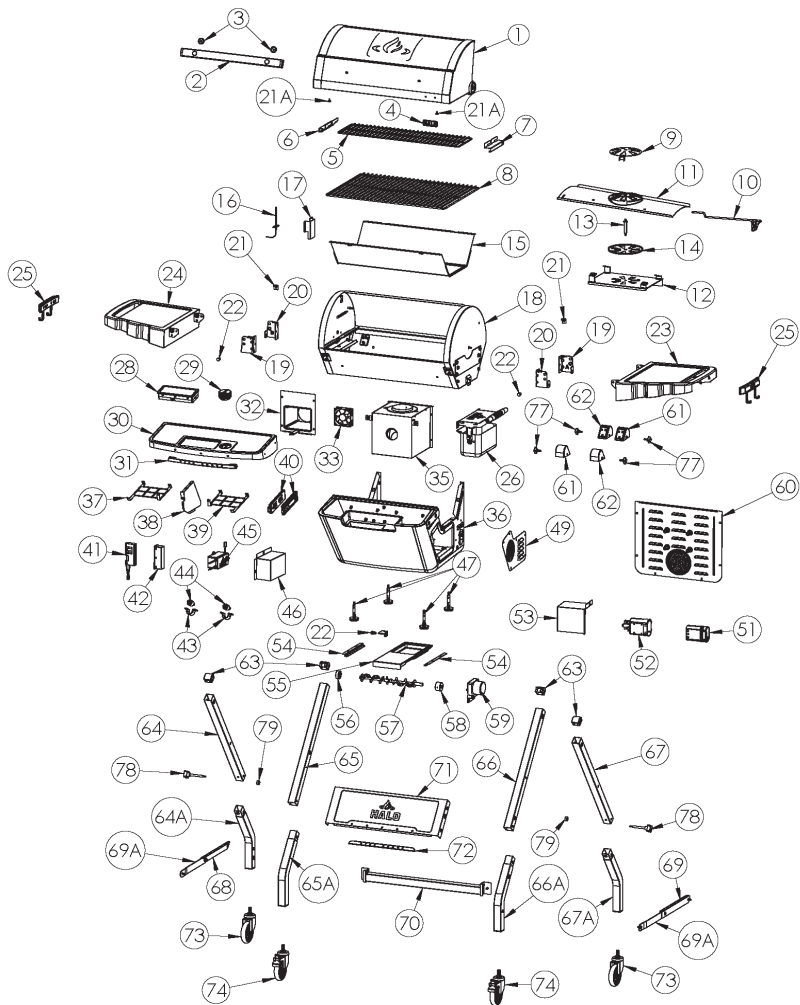
- Attempt cooking greasy food at a lower temperature. Grease does have a lower flash point. Keep the temperature under 350°F (176°C).
- Follow **Care and Maintenance** instructions.

ELECTRICAL WIRE DIAGRAM



PRIME550 PARTS LIST

ITEM	PART DESCRIPTION	PART NO.	QUANTITY	ITEM	PART DESCRIPTION	PART NO.	QUANTITY
1	Lid Assembly	HS-1001-01	1	41	Leveler	HZ-1007-21	1
2	Lid Handle Assembly	HS-1005-02	1	42	Housing-Leveler	HZ-1007-22	1
3	Lid Handle Standoff-Bezel	HZ-1001-03	2	43	Cover-Vibration-Motor	HS-1001-01	1
4	Halo Logo Plate	HZ-1004-27	1	44	Vibration-Motor	HS-1001-37	2
5	Warming Rack	HS-1001-02	1	45	Igniter Module	HS-1001-38	2
6	Bracket Support-WR-Left	HS-1001-04	1	46	Heat Shield-Igniter Module	HS-1005-28	1
7	Bracket Support-WR-Right	HS-1001-05	1	47	Adjustable Foot	HS-1001-40	4
8	Cooking Grid	HS-1001-06	1	48	A/C Power Jack/110-120 Volts	HZ-1004-33	1
9	Searing Damper-Upper	HS-1001-07	1	49	Access Panel	HS-1001-41	1
10	Linkage with Handle	HS-1001-08	1	50	A/C Adapter	HS-1005-36	1
11	Searing Plate	HS-1001-09	1	51	Battery Case	HS-1005-33	1
12	Flare Up Control Plate Assembly	HS-1001-10	1	52	PSM Module	HS-1005-39	1
13	Linkage-Damper Upper/Lower	HS-1001-11	1	53	Heat Shield-PSM Module	HS-1001-42	1
14	Searing Damper-Lower	HS-1001-12	1	54	Bracket Support-Cleanout Tray-L/R	HS-1001-43	2
15	Grease Tray	HS-1001-13	1	55	Cleanout Tray	HS-1001-44	1
16	RTD-Temperature Sensor	HS-1001-14	1	56	Bearing-Auger	HS-1001-45	1
17	Bracket-RTD Temperature Sensor	HS-1001-15	1	57	Auger Assembly	HS-1001-46	1
18	Cooking Chamber Assembly	HS-1001-16	1	58	Nylon Bushing-Auger	HS-1001-47	1
19	Bracket-Side Table-A	HS-1001-17	2	59	Auger Motor	HS-1005-29	1
20	Bracket-Side Table-B	HS-1001-18	2	60	Cooking Chamber-Rear Panel	HS-1001-48	1
21	Lid Bumper-Side	HS-1001-19	2	61	Bracket-Leg Support-Left	HS-1001-49	2
21A	Lid Bumper-Front	HS-1001-20	2	62	Bracket-Leg Support-Right	HS-1001-50	2
22	Release Spring Pin-Side Table & Cleanout Tray	HS-1001-21	3	63	Leg Cap	HS-1001-51	4
23	Side Table-Right	HS-1001-22	1	64	Left-Outer Leg-Long	HS-1001-52	1
24	Side Table-Left	HS-1001-23	1	64A	Left-Outer Leg-Short	HS-1001-53	1
25	"JJ" Tool Hook	HZ-1001-06	2	65	Left-Inner Leg-Long	HS-1001-54	1
26	Grease Bucket with Cover	HZ-1007-18	1	65A	Left-Inner Leg-Short	HS-1001-55	1
28	Controller	HS-1001-26	1	66	Right-Inner Leg-Long	HS-1001-56	1
29	Control Knob	HS-1005-35	1	66A	Right-Inner Leg-Short	HS-1001-57	1
30	Lid-Hopper	HS-1001-27	1	67	Right-Outer Leg-Long	HS-1001-58	1
31	RISE ABOVE Logo Plate-Hopper Lid	HS-1001-28	1	67A	Right-Outer Leg-Short	HS-1001-59	1
32	Fan-Housing	HS-1001-29	1	68	Pivot Bracket-A	HS-1001-60	1
33	Blower Fan	HS-1001-30	1	69	Pivot Bracket-B	HS-1001-61	1
34	Electrode	HS-1005-16	1	69A	Pivot Bracket-C	HS-1001-62	2
35	Burn Pot Assembly	HS-1001-31	1	70	Rear Bracket	HS-1001-63	1
36	Hopper Housing Assembly	HS-1001-32	1	71	Front Panel	HS-1001-64	1
37	Protective Screen-Left	HS-1001-33	1	72	RISE ABOVE Logo Plate	HZ-1004-39	1
38	Divider-Hopper	HS-1001-34	1	73	Caster-Swivel	HO-1006-XNA-12	2
39	Protective Screen-Right	HS-1001-35	1	74	Caster with Lock	HO-1006-XNA-13	2
40	Slides-Hopper Lid-Common	HS-1001-36	2	75	Meat Probe	HS-1005-19	1
				76	Cord Wrap-Meat Probe	HS1001-65	1



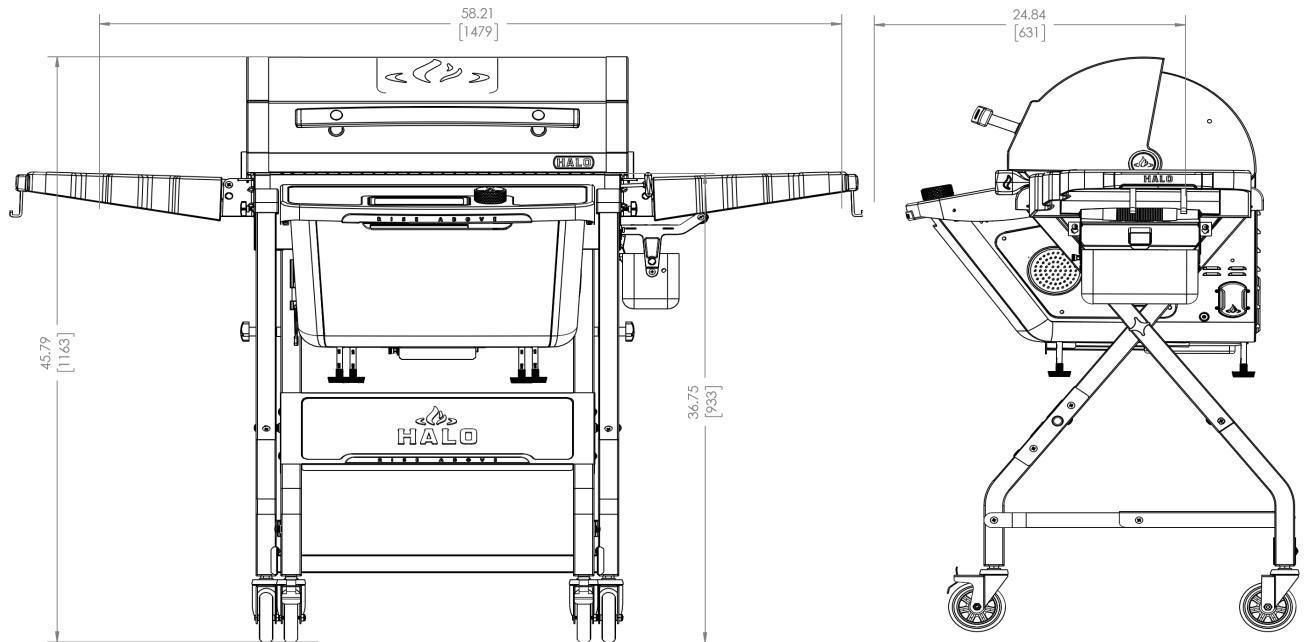
ITEM PART DESCRIPTION

HARDWARE BLISTER PACK

ITEM	PART DESCRIPTION	PART NO.	QUANTITY
77	1/4"-20x15 mm Knob with Threaded Shaft	HS-1001-66	1
78	M6 x 63 mm Knob with Threaded Shaft	HZ-1001-42-A	4
79	Nylon Spacer	HO-1006-21	2
80	M6 x 12 mm Truss Head Screw	HZ-1001-45	2
81	M6 x 2.5H x 9.5D-Shoulder Screw	HS-1001-68	6
82	M6 x 14 mm Screw	HS-1001-67	8
83	M12 Wrench	HZ-1001-40	32
		HZ-1001-46	1



ASSEMBLED DIMENSIONS



FIVE (5) YEAR LIMITED WARRANTY

This warranty only applies to products purchased from an authorized retailer after using REGISTER MY HALO via QR Codes or on www.halo-pg.com to register a new product. Registration must be completed within 30 days of purchase from Manufacturer to qualify for this warranty. Under this warranty, Manufacturer expressly warrants the following:

Manufacturer warrants to the original consumer-purchaser only that this product shall be free from defects in workmanship and materials after correct assembly and under normal and reasonable home use for the periods indicated below beginning on the date of purchase.

SCOPE OF COVERAGE	PERIOD OF COVERAGE	TYPE OF FAILURE COVERAGE
HALO carries warranty against defects and workmanship on all parts, components not covered below	5 Years	PERFORATION, MANUFACTURING, AND MATERIAL DEFECTS ONLY
Electrical Components	1 Year	
Paint	1 Year	

The manufacturer reserves the right to require that defective parts be returned, postage and or freight pre-paid by the consumer for review and examination.

Please retain a copy of your proof of purchase to validate your warranty. You may be requested to send in a copy of your receipt to confirm any warranty requests.

The original consumer-purchaser will be responsible for all shipping charges for parts replaced under the terms of this limited warranty. This limited warranty is applicable in the United States and Canada only, is only available to the original owner of the product and is not transferable. Manufacturer requires proof of your date of purchase. Therefore, you should retain your sales slip or invoice. Registering your product is not a substitute for proof of purchase and the manufacturer is not responsible for or required to retain proof of purchase records. This limited warranty applies to the functionality of the product ONLY and does not cover cosmetic issues such as scratches, dents, corrosions or discoloring by heat, abrasive and chemical cleaners or any tools used in the assembly or installation of the appliance, surface rust, or the discoloration of stainless-steel surfaces. Paint is not warranted and will require touch-up. RUST is not considered a manufacturing or materials defect.

This limited warranty will not reimburse you for the cost of any inconvenience, food, personal injury, or property damage.

FIVE (5) YEAR LIMITED WARRANTY

ITEMS MANUFACTURER WILL NOT PAY FOR

1. Shipping cost, standard or expedited, for warranty and replacement parts.
2. Service calls to your home.
3. Repairs when your product is used for other than normal, single-family household or residential use.
4. Damage, failures, or operating difficulties resulting from accident, alteration, careless or negligent handling or operation, use by minor's misuse, abuse, fire, flood, improper installation or maintenance, installation not in accordance with electrical or plumbing codes, or use of products not approved by the manufacturer, or use of products not permitted under federal, state or local law, regulation and code.
5. Any food loss due to product failures or operating difficulties.
6. Replacement parts or repair labor costs for units operated outside the United States or Canada.
7. Pickup and delivery of your product.
8. Repairs to parts or systems resulting from unauthorized modifications made to the product.
9. The removal and/or reinstallation of your product.

Disclaimer of Implied Warranties and Limitation of Remedies

Repair or replacement of defective parts is your exclusive remedy under the terms of this limited warranty. In the event of parts availability issues, the manufacturer reserves the right to substitute like or similar parts that are equally functional. Manufacturer will not be responsible for any consequential or incidental damages arising from the breach of either this limited warranty or any applicable implied warranty, or for failure or damage resulting from acts of God, improper care and maintenance, grease fire, accident, alteration, replacement of parts by anyone other than Manufacturer, misuse, transportation, commercial use, abuse, hostile environments (inclement weather, acts of nature, animal tampering), improper installation or installation not in accordance with local codes or printed manufacturer instructions.

5 YEAR
LIMITED
WARRANTY

THIS LIMITED WARRANTY IS THE SOLE EXPRESS WARRANTY GIVEN BY THE MANUFACTURER. NO PRODUCT PERFORMANCE SPECIFICATION OR DESCRIPTION WHEREVER APPEARING IS WARRANTED BY MANUFACTURER EXCEPT TO THE EXTENT SET FORTH IN THIS LIMITED WARRANTY. ANY IMPLIED WARRANTY PROTECTION ARISING UNDER THE LAWS OF ANY STATE, INCLUDING IMPLIED WARRANTY OF MERCHANTABILITY OR FITNESS FOR A PARTICULAR PURPOSE OR USE, IS HEREBY LIMITED IN DURATION TO THE DURATION AND SCOPE AS SET FORTH IN THIS LIMITED WARRANTY.

Manufacturer's maximum liability, in any event, shall not exceed the purchase price of the product paid by the original consumer. NOTE: Some states do not allow an exclusion or limitation of incidental or consequential damages, so some of the above limitations or exclusions may not apply to you. This limited warranty gives you specific legal rights as set forth herein. You may also have other rights which vary from state to state. For purchases made in In the state of California only, if refinishing or replacement of the product is not commercially practicable, the California retailer selling this product will refund the purchase price paid for the product, less the amount directly attributable to use by the original consumer-purchaser prior to discovery of the nonconformity. In addition, in the state of California only, you may take the product to the retail establishment selling this product in order to obtain performance under this limited warranty. If you wish to obtain performance of any obligation under this limited warranty from Manufacturer, you should write to:

Halo Products Group LLC 850 West Park Rd Elizabethtown KY, 42701

Consumer returns will not be accepted unless a valid Return Authorization is first acquired from Manufacturer. Authorized returns must be clearly marked on the outside of the package with an RA number and the package is shipped freight with postage pre-paid. Consumer returns that do not meet these standards will be refused.

CONSUMER SERVICE

For questions regarding your product, or if you need replacement parts, contact us at:

Toll free: 1-833-572-1688 or

Visit us online at www.halo-pg.com

MANUAL DEL PROPIETARIO

Nº DE MODELO: HS-1001-XNA



⚠️ ADVERTENCIA

"UNA DE LAS PRINCIPALES CAUSAS DE LOS INCENDIOS ES NO MANTENER LAS DISTANCIAS REQUERIDAS (ESPACIOS DE AIRE) DE LOS MATERIALES COMBUSTIBLES. ES DE SUMA IMPORTANCIA QUE ESTE PRODUCTO SE INSTALE ÚNICAMENTE DE ACUERDO CON ESTAS INSTRUCCIONES."

GUARDE ESTE MANUAL PARA FUTURAS CONSULTAS.

⚠️ ADVERTENCIA

"Lea este manual en su totalidad antes de instalar y utilizar este aparato de combustión de pellets. El incumplimiento de estas instrucciones podría provocar daños materiales, lesiones corporales o incluso la muerte."

⚠️ ADVERTENCIA

- "LEA TODAS LAS INSTRUCCIONES ANTES DE INSTALAR Y UTILIZAR EL APARATO".
- "GUARDE ESTAS INSTRUCCIONES".

Halo Products Group LLC
850 West Park Rd Elizabethtown KY, 42701
Toll free: 1-833-572-1688

BUSQUE
Registro del producto
Guía del usuario en línea
Videos de montaje



INFORMACIÓN IMPORTANTE DE SEGURIDAD

PELIGROS Y ADVERTENCIAS

- "Póngase en contacto con las autoridades locales de construcción o de incendios para conocer las restricciones y los requisitos de inspección de la instalación en su zona".
- "No utilice nunca gasolina, combustible para linternas, queroseno, líquido para encender carbón o líquidos similares para iniciar o 'refrescar' un fuego en este aparato. Mantenga todos estos líquidos bien alejados del aparato cuando lo utilice".
- Precaución contra la cocción sin vigilancia:
 - "Retire las ollas y sartenes mientras el aparato en funcionamiento esté desatendido, para reducir el riesgo de incendio".
 - "NO utilice accesorios no especificados para su uso con este aparato".

ADVERTENCIA

Siga estas pautas para evitar que este gas incoloro e inodoro le envenene a usted, a su familia, a sus mascotas o a otras personas:

- Reconocer los síntomas de la intoxicación por monóxido de carbono: dolor de cabeza, mareos, debilidad, náuseas, vómitos, somnolencia y confusión. El monóxido de carbono reduce la capacidad de la sangre para transportar oxígeno. Los niveles bajos de oxígeno en sangre pueden provocar la pérdida de conciencia y la muerte.
- Acuda a un médico si usted u otras personas presentan síntomas de resfriado o de gripe. La intoxicación por monóxido de carbono, que puede confundirse fácilmente con un resfriado o una gripe, suele detectarse demasiado tarde.
- El consumo de alcohol y de drogas aumenta los efectos de la intoxicación por monóxido de carbono.
- "No utilice nunca gasolina, combustible para linternas, queroseno, líquido para encender carbón o líquidos similares para iniciar o 'refrescar' un fuego en este aparato. Mantenga todos estos líquidos bien alejados del aparato cuando lo utilice".
- En el caso de que el fuego del brasero se apague mientras ahúma y todavía haya suficientes pellets en la tolva de pellets, es importante seguir estos pasos. Si no lo hace, puede provocar un "sobrecalentamiento" peligroso de su parrilla debido a un exceso de pellets sin quemar en el brasero.

ADVERTENCIA

- Debe mantenerse una distancia mínima de 36" (914.4 mm) desde las construcciones combustibles a los lados de la parrilla de pellets y desde la parte trasera de la parrilla de pellets a las construcciones combustibles.
- Cualquier limitación de la unión de dos o más piezas para constituir un conjunto, como la instalación de patas de apoyo, cerramientos y similares.
- No utilice este aparato en el interior, en un área cerrada sin ventilación, bajo un techo combustible o un voladizo. Mantenga su parrilla de pellets en un área despejada y libre de materiales combustibles, gasolina y otros vapores y líquidos inflamables.

PELIGRO

- Mantenga los cables de alimentación eléctrica y el combustible lejos de las superficies calientes. No utilice su parrilla de pellets bajo la lluvia o cerca de cualquier fuente de agua.
- Después de un período de almacenamiento o de no utilización, compruebe que el recipiente de combustión no esté obstruido, que no haya objetos extraños en el contenedor y que no haya ninguna obstrucción de aire alrededor de la entrada del ventilador o de los orificios de escape del cañón trasero. Limpie antes de usar.

PRECAUCIÓN

- Para prolongar la vida útil de su parrilla de pellets HALO, es necesario realizar un cuidado y mantenimiento regulares. Si la parrilla de pellets se almacena en el exterior durante la temporada de lluvias o de alta humedad, utilice una cubierta de parrilla HALO para asegurar que el agua de lluvia no entre en el contenedor.
- No transporte su parrilla de pellets mientras esté en uso o mientras esté caliente. Asegúrese de que el fuego esté completamente apagado y que la parrilla de pellets esté completamente fría al tacto antes de moverla.
- Los pellets de madera se expanden significativamente cuando se mojan o se exponen a una alta humedad, se descomponen y pueden atascar el sistema de alimentación. Desconecte siempre la alimentación, antes de realizar cualquier servicio o mantenimiento.
- **ALMACENAMIENTO EXTERIOR: "PRECAUCIÓN!"** Si la parrilla se almacena en el exterior durante la estación lluviosa, se debe tener cuidado de que no entre agua en la tolva de pellets. Los pellets de madera se expanden mucho cuando están húmedos y atascan la barrena. Cubra siempre su Parrilla cuando no lo utilice con la Funda para Parrilla Halo. Esta funda a medida puede adquirirse en www.halo-pg.com.

ADVERTENCIA

PROPOSICIÓN 65 DE CALIFORNIA

Este producto puede exponerle a sustancias químicas, incluido el monóxido de carbono, que el Estado de California conoce como causantes de cáncer y defectos de nacimiento u otros daños reproductivos. Para más información, visite www.P65Warnings.ca.gov

COMBUSTIBLE DE PELLETS DE MADERA

- Este aparato de cocción de pellets está diseñado y aprobado sólo para combustible de madera natural peletizado. Cualquier otro tipo de combustible quemado en este aparato anulará la garantía y la advertencia de seguridad.
- Sólo debe utilizar pellets de madera natural diseñados para quemar en parrillas de pellets.
- *"Utilice Únicamente Combustible De Pellets De Madera Especificado Por El Fabricante. No Utilice Combustible De Pellets Etiquetado Como Con Aditivos"*.
- Sólo debe utilizar pellets de madera natural diseñados para quemar en parrillas de pellets.
- *"No utilice accesorios no especificados para su uso con este aparato"*.

Le pouvoir calorifique moyen des granulés est de 30 000 BTU/LB (31 651 KJ/Kg), teneur en cendres < 1 %.

Actualmente no existe una norma industrial para los pellets de madera para barbaocoas, aunque la mayoría de las fábricas de pellets utilizan las mismas normas para fabricar pellets de madera para uso doméstico. Puede encontrar más información en www.pelletheat.org o en el **Pellet Fuel Institute**.

Póngase en contacto con su distribuidor local de pellets de uso alimentario para informarse sobre la calidad de los pellets en su zona y sobre la calidad de la marca. Como no hay control sobre la calidad de los pellets utilizados, la humedad afecta a los pellets. Halo Products Group LLC no se hace responsable de los daños causados al aparato por la mala calidad del combustible.

¿QUÉ HAY QUE SABER SOBRE LA CREOSOTA?

La creosota, u hollín, es una sustancia similar al alquitrán. Al arder, produce un humo negro con un residuo también de color negro. El hollín o la creosota se forman cuando el aparato funciona de forma incorrecta, como por ejemplo: obstrucción del recipiente de combustión, bloqueo del ventilador de combustión, falta de limpieza y mantenimiento de la zona de combustión o mala combustión del aire al combustible.

"Creosota - Formación y Necesidad de Eliminación. Cuando los pellets de madera se queman lentamente, producen alquitrán y otros vapores orgánicos que se combinan con la humedad expulsada para formar creosota. Los vapores de la creosota se condensan en la chimenea del horno y en la campana extractora de un fuego lento. Como resultado, los residuos de creosota se acumulan en el revestimiento de la chimenea y en la campana extractora. Cuando se enciende, esta creosota produce un fuego extremadamente caliente".

Es peligroso hacer funcionar este aparato si la llama se oscurece, se llena de hollín o si el recipiente de combustión se llena en exceso de pellets. Cuando se enciende, esta creosota produce un fuego extremadamente caliente e incontrolado, como el de la grasa. Si esto ocurriera, apague la unidad, déjela enfriar completamente y luego inspecciónela para su mantenimiento y limpieza. Suele acumularse a lo largo de las zonas de escape.

Si se ha formado creosota en el interior del aparato, deje que se caliente a baja temperatura, apague el aparato y limpie la formación con una toalla de mano. Al igual que el alquitrán, es mucho más fácil de limpiar cuando está caliente, ya que se vuelve líquido.

"El conducto de grasa debe inspeccionarse al menos dos veces al año para determinar cuándo se ha producido la acumulación de grasa y/o creosota".

"Cuando la grasa o la creosota se han acumulado, deben eliminarse para reducir el riesgo de incendio".

ADVERTENCIA ELIMINACIÓN DE CENIZAS

Las cenizas deben colocarse en un recipiente metálico con tapa hermética. El contenedor cerrado de cenizas debe colocarse en un suelo no combustible o en el suelo, bien alejado de todo material combustible, hasta su eliminación final. Cuando las cenizas se eliminen enterrándolas en el suelo, o se dispersen localmente de otro modo, deberán conservarse en un contenedor cerrado hasta que todas las cenizas se hayan enfriado completamente.

MONÓXIDO DE CARBONO "ASESINO SILENCIOSO"

ADVERTENCIA

El monóxido de carbono (CO) es un gas que puede matarle rápidamente. Se le llama el "asesino silencioso" porque es incoloro, inodoro, insípido y no irrita. Es un gas incoloro, inodoro e insípido que se produce al quemar gas, madera, propano, carbón u otro combustible.

El monóxido de carbono reduce la capacidad de la sangre para transportar oxígeno. Los niveles bajos de oxígeno en sangre pueden provocar dolores de cabeza, mareos, debilidad, náuseas, vómitos, somnolencia, confusión, pérdida de conciencia o la muerte. Siga estas pautas para evitar que este gas incoloro e inodoro le envenene a usted, a su familia o a otras personas:

El monóxido de carbono es especialmente tóxico para la madre y el niño durante el embarazo, los bebés, los ancianos, los fumadores y las personas con problemas de la sangre o del sistema circulatorio, como la anemia o las enfermedades cardíacas.

El consumo de alcohol y de drogas aumenta los efectos de la intoxicación por monóxido de carbono.

Acuda a un médico si usted u otras personas presentan síntomas de resfriado o gripe mientras cocinan o están cerca del aparato. La intoxicación por monóxido de carbono, que puede confundirse fácilmente con un resfriado o una gripe, suele detectarse demasiado tarde.

ADVERTENCIA

Asegúrese de limpiar la ceniza del caldero de combustión después de cada uso para garantizar el buen funcionamiento de su parrilla de pellets. Si no se limpia la ceniza del recipiente de combustión después de cada uso, es posible que los pellets no se enciendan o que se acumule el pellet delante del tubo de la barrena, lo que podría provocar una quemadura en el interior del tubo de la barrena.

PAQUETE DE BATERÍA RECARGABLE DE IONES DE LITIO

IMPORTANTE

Lea y siga la información contenida en este documento antes de manipular la batería recargable. Guarde este documento en un lugar seguro.

RIESGOS DE LAS BATERÍAS DE IONES DE LITIO

Los riesgos de incendio de las baterías de iones de litio están asociados a las altas densidades de energía unidas al electrolito orgánico inflamable. Esto crea nuevos desafíos para el uso, el almacenamiento y la manipulación. Los estudios han demostrado que los daños físicos, el abuso eléctrico, como los cortocircuitos y las sobrecargas, y las exposiciones a temperaturas elevadas pueden provocar un desbordamiento térmico. Esto se refiere al rápido calentamiento de una reacción química exotérmica que puede dar lugar a una reacción térmica en cadena de las células adyacentes.

ALMACENAMIENTO

- Almacene las baterías lejos de materiales combustibles.
- Retire las pilas del dispositivo para su almacenamiento a largo plazo.
- Almacene las baterías a temperaturas entre 41°F y 68°F.
- Si resulta práctico, guarde las baterías en un armario metálico.

PRÁCTICAS DE CARGA

- No cargue nunca una batería primaria (desechable de litio o alcalina); guarde las baterías de un solo uso por separado.
- Cargue o descargue la batería hasta aproximadamente el 50% de su capacidad antes de almacenarla a largo plazo.
- Utilice cargadores o métodos de carga diseñados para cargar de forma segura las baterías con los parámetros especificados.
- Desconecte inmediatamente las baterías si, durante el funcionamiento o la carga, emiten un olor inusual, desarrollan calor, cambian de forma/ geometría o se comportan de forma anormal.
- Retire el módulo de baterías de los cargadores inmediatamente después de la carga.
- No utilice el cargador como lugar de almacenamiento.

MANEJO Y USO

- Manipule las baterías y los dispositivos que funcionan con baterías con precaución para no dañar la carcasa de la batería o las conexiones.
- Evite que las baterías entren en contacto con materiales conductores, agua, agua de mar, oxidantes fuertes y ácidos fuertes.
- No coloque las baterías a la luz directa del sol, sobre superficies calientes o en lugares calientes.
- Inspeccione las baterías en busca de signos de daño antes de usarlas. No utilice nunca y deseche rápidamente las baterías dañadas o hinchadas.
- Mantenga todos los materiales inflamables lejos del área de operación.
- Deje que se enfríe antes de cargar una batería que aún está caliente por el uso y de utilizar una batería que aún está caliente por la carga.
- Considere la construcción de la carcasa de la célula (blanda con rejillas de ventilación) y el blindaje de protección para la investigación de la batería y su aplicación y uso experimental o en evolución.

ELIMINACIÓN

Deseche los paquetes de baterías dañados que ya no mantienen una carga sustancial. Para comprobar el estado general de sus baterías, cárguelas, déjelas reposar durante una hora y luego mida la tensión. Si sus celdas están cerca de los 12V, el módulo de baterías está en buenas condiciones.

CONSEJOS DE SEGURIDAD

- Mantenga la batería fuera de la vista y del alcance de los niños.
 - El módulo recargable de iones de litio es potencialmente peligroso y puede presentar un grave RIESGO DE INCENDIO, LESIONES GRAVES y/o DAÑOS MATERIALES si está dañado, es defectuoso o se utiliza incorrectamente.
 - Al comprar la batería, usted asume todos los riesgos asociados a la misma. No nos hacemos responsables de los daños y perjuicios derivados del uso de nuestros productos. Utilícelo bajo su propia responsabilidad.
 - No desmonte ni modifique la batería de ninguna manera. La vibración, perforación, el contacto con metales o la manipulación de la batería pueden provocar su fallo.
 - No desmonte ni modifique la batería de ninguna manera. La vibración, perforación, el contacto con metales o la manipulación de la batería pueden provocar su fallo.
 - No deje nunca la batería desatendida mientras se carga. Si la batería se calienta, humea, se hincha o desprende un olor durante la carga, interrumpa la carga inmediatamente.
 - En caso de que la batería tenga una fuga y el líquido entre en contacto con la piel o los ojos, no se frote. Aclare bien con agua y busque atención médica inmediatamente. Si no se trata, el líquido de la batería podría causar daños en los ojos y la piel.
- **SE INTENTA CARGAR A TEMPERATURAS INFERIORES A 40°F.** La carga por debajo de los 40°F provoca una reacción química en las celdas de la batería que puede causar daños permanentes y la posibilidad de incendio o explosión durante la carga.
 - **LA BATERÍA HA ESTADO EXPUESTA A LÍQUIDOS, ESPECIALMENTE AL AGUA SALADA.** La exposición a líquidos puede causar corrosión interna o daños en las celdas o en el Sistema de Manejo de la Batería (BMS, por sus siglas en inglés). El BMS protege la batería de la sobrecarga, la autodescarga elevada o la carga desequilibrada de las celdas, cualquiera de las cuales puede presentar la posibilidad de incendio durante la recarga.
 - **UTILIZAR O CARGAR UNA BATERÍA QUE SE HAYA DAÑADO POR UNA CAÍDA O POR DAÑOS DE TRANSPORTE. UTILIZAR UN CARGADOR QUE NO SEA EL DESIGNADO ESPECÍFICAMENTE PARA LA BATERÍA EN CUESTIÓN.**

ES MÁS PROBABLE QUE SE PRODUZCA UN INCENDIO DURANTE EL PROCESO DE CARGA EN LAS SIGUIENTES CIRCUNSTANCIAS

- **LA BATERÍA HA SIDO DESCARGADA COMPLETAMENTE Y NO SE HA RECARGADO AL POCO TIEMPO.** Este potencial se agrava si las baterías están dañadas, tienen un defecto de fábrica no detectado, se utilizan o almacenan a temperaturas extremas, o se acercan al final de su vida útil. Lo ideal es que la batería se recargue en las 24 horas siguientes a una descarga completa.

REGISTRO DE PRODUCTOS

IMPORTANTE: Llene el registro de información del producto que figura a continuación o, para registrar su producto, visite nuestro sitio web en www.halo-pg.com.

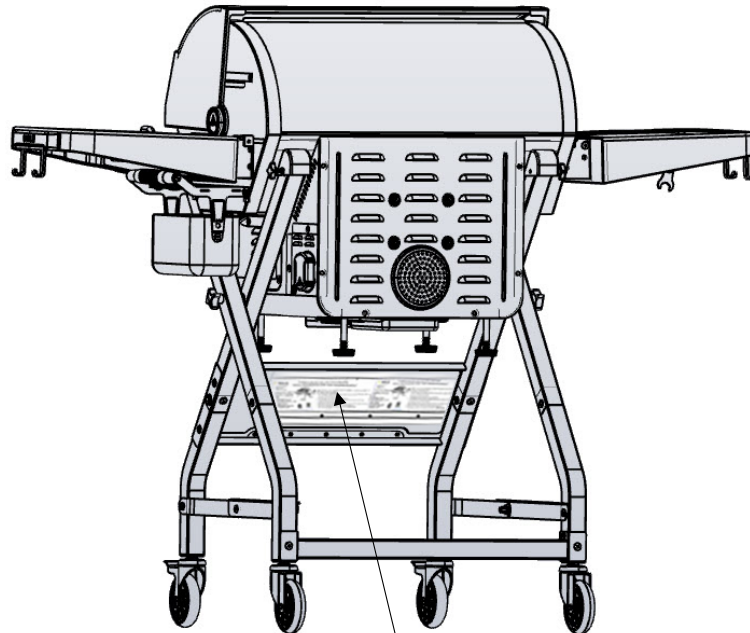
Número de Modelo: : _____

Número de Serie: _____

Fecha de Compra: _____



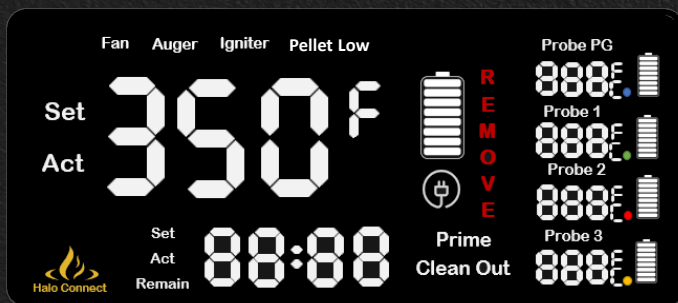
REGÍSTRESE



AVISO: El número de modelo y el Número de Serie se encuentran en la parte posterior del panel frontal.

PRIME550 INSTRUCCIONES DE USO

CONOZCA COMO FUNCIONA SU CONTROLADOR



MANDO DE CONTROL

1. Pulse el mando de control una vez para encender la unidad. El controlador parpadeará varias veces y luego pasará a ser una pantalla sólida. Esto le permite saber que su unidad está encendida.
2. Pulse de nuevo el mando de control. Esto le llevará a la pantalla de funciones donde podrá acceder a las funciones enumeradas anteriormente.
3. Gire el mando hasta que vea la función que necesita.
4. Pulse el botón de control para bloquearlo después de haber elegido la función.
5. Mantenga pulsado el botón de control para apagar la unidad. Esto iniciará el temporizador de enfriamiento de 10 minutos. La unidad se apagará automáticamente cuando el temporizador haya terminado.
6. En la siguiente página se detalla cómo configurar cada una de las funciones del controlador.



PANTALLA DIGITAL LED

Se utiliza como centro de información de su unidad. Pulse el botón de control una vez para encender la unidad. La pantalla LED mostrará las siguientes funciones:

- Temperatura (F o C)
- Temporizador
- Temperaturas de la Sonda de Carne (si está conectada).
- Nivel de batería (si se alimenta con batería)
- Icono del adaptador de CA (si se alimenta con adaptador de CA)
- Cebado
- Limpieza
- Indicadores de Ventilación, Barrena, Encendido
- Indicador de RETIRADA de batería (cuando corresponda)

ENERGÍA

Hay (2) opciones para alimentar su HALO Prime550 Outdoor Pellet Grill:

1. Con un adaptador A/C que se enchufa en un receptáculo exterior con toma de tierra (GFCI) de 120 voltios.
2. Con una batería recargable de iones de litio de 12 V. Puede utilizar un método de alimentación o tener tanto la batería como el adaptador de CA conectados a la unidad al mismo tiempo.

FUNCIONES DEL CONTROLADOR

Después de encender la unidad pulsando el mando de control puede acceder a las siguientes funciones:

LIMPIEZA

Clean Out

La función de limpieza se utiliza para eliminar los últimos pellets que quedan en la tolva de pellets y el tubo de barrena.

FUNCIONAMIENTO DE LA FUNCIÓN DE LIMPIEZA

1. Pulse el mando de control una vez para encender la unidad. El controlador parpadeará varias veces y luego pasará a ser una pantalla sólida. Esto le permite saber que su unidad está encendida.
2. Pulse de nuevo la perilla de control, esto le llevará a la pantalla de funciones donde podrá acceder a las funciones de Temperatura (F/C), Tiempo, Temperatura de la Sonda de Carne, Cebado y Limpieza, así como a los indicadores de Nivel de Batería, Adaptador A/C, Ventilador, Taladro, Ignición y Extracción de Batería (cuando corresponda).
3. *Una vez que haya encendido la unidad pulsando el mando de control* Gire el mando de control para seleccionar la función de limpieza. Pulse el botón para bloquear la función de Tiempo.
4. La función de limpieza está configurada para funcionar durante 90 minutos. Los pellets restantes se introducirán a través del caldero de combustión en el cubo de 5 galones situado debajo. **Nota:** puede desactivar la función Clean Out en cualquier momento. Debe volver a colocar la bandeja para cenizas en su sitio antes de poner en marcha el aparato. Si no inserta la bandeja hacia atrás puede provocar un incendio y lesiones corporales.

TENGA EN CUENTA:

- La unidad debe estar apagada, el adaptador de CA desenchufado y la batería retirada antes de limpiar la tolva manualmente.
- La unidad debe enfriarse antes de que se inicie la función de Limpieza. No utilice esta función durante la puesta en marcha o la cocción de alimentos. De lo contrario, podría producirse un incendio en el interior del recipiente y dañar la parrilla de pellets.
- Coloque un recipiente lo suficientemente grande como para contener los pellets desechados debajo de la abertura de la olla de fuego de limpieza de pellets. Tire del resorte de la bandeja para cenizas y deslícela hacia adelante para alinear la salida limpia de la bandeja de cenizas directamente debajo del recipiente del fuego para eliminar cualquier ceniza. (**Nota:** Suelte el pasador de resorte en cuanto empiece a tirar de la bandeja hacia delante para bloquear la bandeja en la posición de limpieza de cenizas). Tire del pasador de resorte de la bandeja para cenizas una vez más para extraer completamente la bandeja para cenizas de la unidad y vaciar la ceniza. Consulte la sección de Limpieza de Prime550 Pellet más detalles.

CEBADO

Prime

La función Prime (cebado) le permite introducir pellets en el caldero de combustión para arrancar inicialmente su unidad o alimentar pellets adicionales durante una fumada para obtener más humo.

1. Gire el mando para seleccionar la función Prime (Cebado).
2. Mantenga pulsado el botón de control de la función de cebado para alimentar más pellets.
3. Cuando haya terminado de introducir los pellets en el caldero de combustión, suelte el mando de control y el sinfín dejará de alimentar los pellets.

TEMPERATURA

1. Pulse el mando de control para bloquear la función de Temperatura.
2. Gire el mando para seleccionar la temperatura deseada.
3. Al pulsar el mando de control, la unidad se pondrá en marcha.

SONDA DE CARNE

La conexión para la sonda de carne se encuentra en el lado izquierdo de la parrilla, encima del compartimento de la batería. La temperatura de la sonda de carne aparecerá en el controlador después de conectar la sonda de carne.

1. Pulse el mando de control una vez para encender la unidad. El controlador parpadeará varias veces y luego pasará a ser una pantalla sólida. Esto le permite saber que su unidad está encendida.
2. Pulse de nuevo la perilla de control, esto le llevará a la pantalla de funciones donde podrá acceder a las funciones de Temperatura (F/C), Tiempo, Temperatura de la Sonda de Carne, Cebado y Limpieza, así como a los indicadores de Nivel de Batería, Adaptador A/C, Ventilador, Taladro, Ignición y Extracción de Batería (cuando corresponda).
3. *Una vez que haya encendido la unidad pulsando el mando de control* Gire el mando para seleccionar la función de Sonda para Carne.
4. Pulse el botón para bloquear la función de la sonda de carne, luego gire el mando de control hasta llegar a la temperatura en la que desea que su sonda de carne se configure y pulse el botón para establecer.

TENGA EN CUENTA:

- Desconecte la sonda de carne del enchufe y cubra el puerto con la tapa de silicona cuando no lo utilice.
- Se incluye una sonda de carne con la unidad.
- Utilice únicamente sondas de carne de la marca HALO para evitar que se dañe la unidad.
- El aparato entrará en modo WARM y la temperatura del aparato se reducirá cuando la sonda de carne alcance la temperatura establecida. Esto evitará que los alimentos continúen cocinándose antes de ser retirados de la unidad.

GRADOS F/C



1. Gire el mando hasta la función F (Fahrenheit) o C (Celsius) y pulse el botón para bloquear esta función.
2. Gire el mando de control a F o C y pulse el mando de control para bloquear su elección.
3. Tenga en cuenta que el ajuste por defecto es Fahrenheit.

HORA

1. Gire el mando para seleccionar la función Time (Tiempo).
2. Pulse el botón para bloquear la función de Tiempo. Puede establecer el número de horas y minutos para cronometrar su humo.
3. Gire el mando de control hasta el número de horas deseado y, a continuación, pulse el mando de control para confirmar las horas.
4. Gire el mando de control para ajustar el número de minutos deseado y, a continuación, pulse el mando de control para confirmar los minutos.
5. El temporizador hará una cuenta atrás hasta cero después de que su unidad se ponga en marcha.

LUCES INDICADORAS DEL CONTROLADOR VENTILADOR

El icono de aspa se iluminará cuando el ventilador esté en funcionamiento.

1. Suministra aire fresco al caldero para la combustión.
2. Genera una circulación de calor forzada por el ventilador, para que los alimentos se cocinen uniformemente por todos los lados
3. Ayuda a que los pellets se quemen de forma más eficiente
4. Realiza evacuación de mantenimiento de cenizas del caldero durante las funciones de cocción y apagado.

BARRENA: SISTEMA DE ALIMENTACIÓN DE PELLETS

El icono de la función de Auger (Barrena) aparecerá durante el arranque y se enciende y apaga durante las cocciones para alimentar periódicamente los pellets.

1. Lleva los pellets desde la tolva de pellets, a través del tubo barrena, hasta el caldero de combustión a una velocidad programada y controlada para una combustión eficiente.
2. La cantidad de tiempo que el sinfín alimenta los pellets, dependerá de la temperatura a la que quiera asar o ahumar

PELLET BAJO

Un sensor de infrarrojos situado en el interior de la tolva detecta cuando el nivel de pellet es bajo, y aparecerá el icono de Pellet bajo. Le recomendamos que añada pellets a la tolva para que su cocción no se interrumpa.

FUENTE DE ALIMENTACIÓN



BATERÍA

Aparecerá un icono de batería en el controlador después de que inserte la batería en la unidad para hacerle saber que la parrilla está alimentada con batería.

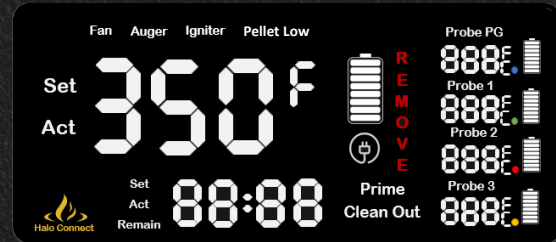


ADAPTADOR C/A

Habrà un icono de enchufe de CA en el controlador cuando el adaptador de CA esté conectado a su unidad para hacerle saber que la unidad está alimentada con energía de CA.

TENGA EN CUENTA:

- Ambos iconos aparecerán en el controlador cuando tenga los dos conectados a su parrilla. Su parrilla está conectada, pero no está encendida en este momento.
- La batería se cargará en la unidad cuando el adaptador de CA esté enchufado. El tiempo medio de carga de una batería es de entre 5 y 6 horas. La forma alternativa de cargar la batería es retirar la batería de la unidad y cargarla con una base de carga Halo. La base de carga puede adquirirse en www.halo-pg.com.



ENCENDEDOR ELECTRÓNICO

El icono de la función de encendido aparecerá durante la puesta en marcha y se enciende y apaga durante las cocciones para mantener la temperatura.

1. Se trata de un tipo de sistema de encendido que funciona con circuitos electrónicos, normalmente mediante transistores. Los transistores son controlados por sensores para generar pulsos eléctricos que luego generan una chispa de alto voltaje que puede quemar la mezcla pobre y proporcionar una mejor economía y menor emisión.
2. El encendedor volverá a encenderse cuando la temperatura descienda 20 grados por debajo de la temperatura ajustada.

AVISO DE BATERÍA

1. Si el controlador muestra el icono "REMOVE" (RETIRAR) en rojo, es necesario retirar la batería de la unidad rápidamente para evitar cualquier daño a la batería.
2. Esto indica que la temperatura de la batería es demasiado alta. Deje que la parrilla se enfríe hasta alcanzar la temperatura ambiente, inserte la batería de nuevo y reinicie la unidad.
3. Si esto persiste, llame al servicio de atención al consumidor al 1-833-572-1688.

QUEMADO DE LA PARRILLA DE PELLETS

Este es el procedimiento inicial de puesta en marcha cuando se utiliza la parrilla de pellets por primera vez.

1. Enchufe el cable de alimentación del adaptador de CA a una fuente de alimentación con toma de tierra (GFCI) o inserte la batería de litio de 12 voltios de Halo (la batería se vende por separado).
2. Retire la placa de grasa para ver los pellets que entran en el caldero de combustión cuando se ceba la unidad. Compruebe el caldero de combustión para asegurarse de que no hay ninguna obstrucción para el encendido correcto. Abra la tapa del contenedor. Asegúrese de que no hay objetos extraños en el contenedor o en la entrada del sistema de alimentación de la barrena en el fondo del contenedor. Llene el contenedor con pellets de madera seca y natural para barbaoca.
3. Pulse el mando de control una vez para encender la unidad, la pantalla parpadeará y luego pasará a ser una pantalla sólida. Pulse el botón de control por segunda vez para llegar a la pantalla de funciones y gire el botón de control a la función Prime (Cebat). Mantenga pulsado el botón de control para comenzar a introducir los pellets. Mantenga pulsado el botón hasta que vea u oiga caer los pellets en el caldero de combustión, entonces suelte el botón de control.

! IMPORTANTE

- Asegúrese de que haya algunos pellets cubriendo el electrodo.
- Vuelva a colocar la placa de grasa y la rejilla de cocción en el aparato.
- Asegúrese de que la compuerta de asado está cerrada.

4. . Presione el mando de control y gire hasta la función Temperature (Temperatura). Pulse el mando de control. Gire el mando de control de nuevo para ajustar la temperatura a 350F (177C), pulse el botón de control para bloquear esta temperatura y ponga en marcha la parrilla. Deje que el aparato se precaliente durante unos 30-45

minutos. Esto se utiliza para quemar cualquier aceite residual que pueda haber en el interior de la parrilla. La tapa debe estar cerrada durante el ciclo de combustión.

! IMPORTANTE

Escuche el rugido que sale del caldero de combustión, y note que se produce algo de calor y humo. Esto le permite saber que la unidad está funcionando correctamente.

5. La temperatura deseada para el ahumado, la cocción o el asado puede ajustarse una vez finalizado el periodo de quemado.
6. Apague la unidad y deje que se enfríe hasta alcanzar la temperatura ambiente. La unidad puede tardar un tiempo en bajar a un ajuste de temperatura más bajo.

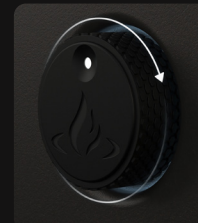
! IMPORTANTE

La barrena seguirá girando y alimentando los pellets una vez que seleccione un ajuste de temperatura más bajo después del quemado. Esto aumentará momentáneamente la temperatura, pero la temperatura finalmente disminuirá y se estabilizará en la temperatura deseada. Recuerde que está tratando de regular el calor, por lo que se necesita tiempo para alcanzar la temperatura establecida.

PUESTA EN MARCHA DE LA PARRILLA DE PELLETS

Este es el procedimiento estándar de puesta en marcha para utilizar su parrilla de pellets en cualquier momento después del quemado inicial.

1. Enchufe el cable de alimentación del adaptador de CA a una fuente de alimentación con toma de tierra (GFCI) o inserte la batería de litio de 12 voltios de Halo (la batería se vende por separado).
2. Pulse el botón de control una vez para encender la unidad, la pantalla parpadeará y luego pasará a ser una pantalla sólida. Pulse el botón de control una segunda vez para llegar a la pantalla de funciones.



Gire el botón de control a la función Temperature (Temperatura). Pulse el botón de control una vez más para confirmar el ajuste de la temperatura, luego gire el botón de control hasta la temperatura de ahumado, cocción o asado deseada. Pulse el botón de control una vez más para bloquear la temperatura y poner en marcha la unidad.

! IMPORTANTE

Asegúrese de que la compuerta de asado está cerrada.

3. El encendedor se encenderá durante unos segundos para confirmar que el encendido funciona correctamente y el icono del encendedor aparecerá en la parte superior de la pantalla del controlador. El aparato introducirá los pellets en el caldero de combustión y el encendedor se encenderá de nuevo para poner en marcha su aparato.
4. La unidad se enciende cuando la temperatura en el controlador aumenta y sale humo de la parte trasera de la unidad.

! IMPORTANTE

- La temperatura puede tardar entre 20 y 30 minutos en estabilizarse, según el tipo o la marca de pellets que utilice. Si tiene problemas de encendido, es posible que tenga que abrir el amortiguador de asado durante el procedimiento de arranque para garantizar un encendido correcto. Esto también puede verse afectado por el tipo o la marca de los pellets que se utilicen.
- Esta parrilla de pellets tiene una función de amortiguación de asado. Se recomienda que al ahumar los alimentos, el amortiguador de asado esté cerrado para ayudar a obtener temperaturas consistentes en toda la superficie de cocción.
- La función de asado se utiliza para asar rápidamente un trozo de comida sobre una llama abierta. Esto se hace típicamente en los ajustes de temperatura más altos (350F - 500F) después de que su ahumado está completo.
- La compuerta de asado está en la posición cerrada cuando la manija de asado se empuja hacia el cuerpo de la parrilla de pellets y en posición abierta cuando la manija se extiende lejos del cuerpo de la parrilla de pellets.
- La capacidad de la tolva es de aproximadamente 14 libras de pellets. Suele durar entre 10 y 20 horas, dependiendo del ajuste de la temperatura. Asegúrese de que la tolva está llena antes de empezar a ahumar o cocinar. De este modo, no tendrá que rellenar la tolva durante el ahumado.

APAGADO DE LA PARRILLA DE PELLETS



1. Cuando termine la cocción, gire el dial de temperatura a 350°F/176°C con la tapa cerrada. Deje que su parrilla de pellets funcione durante 10 a 20 minutos para que pase por su método de limpieza normal. Si ha preparado alimentos muy grasos, deje que la parrilla de pellets se queme durante 10 o 20 minutos más. Esto reducirá la posibilidad de provocar un incendio por grasa para el próximo arranque.
2. Para apagar su unidad, mantenga pulsado el mando de control hasta que el ventilador aumente su velocidad y la pantalla del controlador muestre una cuenta atrás de 10 minutos. La unidad comenzará ahora su ciclo de enfriamiento automático. El sistema de sinfín dejará de alimentar combustible, la llama se apagará y el ventilador seguirá funcionando hasta que se complete el ciclo de enfriamiento. El modo de apagado durará 10 minutos.
3. Una vez completado el ciclo de enfriamiento, si se utiliza la energía del adaptador de CA, desenchúfelo de la toma de corriente. Si utiliza la energía de la batería, puede extraer la batería del alojamiento de la batería empujando hacia dentro la batería, que saltará hacia atrás para desconectarse del controlador.
4. Reemplace la batería con la caja de batería falsa que viene con la unidad para asegurar que permanezca protegida de factores ambientales como la humedad, el agua y la suciedad. También puede cargar la batería dejando la batería en la caja con el adaptador de CA enchufado. La batería reemplazará toda su energía en 5-6 horas.

PROCEDIMIENTO EN CASO DE FALLO DEL ENCENDEDOR

Si por alguna razón su encendedor falla, compruebe los siguientes pasos, o encienda su parrilla utilizando el método manual.

1. Abra la tapa. Retire la rejilla de cocción y la placa de grasa. Retire todos los pellets no quemados y las cenizas del caldero de combustión. Evite tocar el electrodo para evitar lesiones, ya que puede estar muy caliente.
2. Pulse el mando de control una vez para encender la parrilla. El controlador parpadeará varias veces y luego pasará a ser una pantalla sólida. Esto es para hacerle saber que su parrilla está encendida.
3. Pulse de nuevo el mando de control, esto le llevará a la pantalla de funciones donde podrá acceder a todas las funciones.
4. Pulse el botón de control para bloquear la función de Temperature (temperatura), luego gire el mando para seleccionar la temperatura que desee.
5. Pulse el botón de control para poner en marcha la unidad.

Compruebe lo siguiente:

- Compruebe visualmente que el electrodo emite chispas de forma continua.
 - Compruebe visualmente que la barrena está dejando caer los pellets en el recipiente de combustión.
 - Compruebe que el ventilador de combustión funciona asegurándose de que se escucha un rugido tórrido.
 - La unidad debería arrancar correctamente si todo esto funciona adecuadamente.
 - Vuelva a colocar la placa de grasa, la rejilla de calentamiento y la rejilla de cocción si el aparato está en funcionamiento.
6. Si alguno de los puntos anteriores no funciona, siga las instrucciones de resolución de problemas.

ADVERTENCIA

Asegúrese de limpiar la ceniza del caldero de combustión después de cada uso para garantizar el buen funcionamiento de su parrilla de pellets.

ARRANQUE MANUAL

Utilice este procedimiento de arranque manual si ya ha intentado un arranque normal y no consigue que los pellets se enciendan.

1. Si su unidad ya está encendida y ha ajustado la temperatura pero la unidad no se encendió, por favor proceda al paso 3. Si su unidad está apagada, proceda al paso 2.
2. Enchufe el cable de alimentación del adaptador de CA a una fuente de alimentación con toma de tierra (GFCI) o a una batería recargable de iones de litio de 12 V. Consulte la sección "Puesta en Marcha de la Parrilla de Pellets" para encender su unidad y seleccionar un ajuste de temperatura.
3. Retire la rejilla de cocción y la placa de grasa para comprobar visualmente el caldero de combustión y asegurarse de que no hay ninguna obstrucción para una chispa adecuada.
4. Abra la tapa del contenedor. Asegúrese de que no hay objetos extraños en el contenedor o en el sistema de alimentación de la barrena. Llene la tolva con pellets secos de madera dura para barbacoa si aún no está llena.
5. Si no hay pellets en el depósito de combustión, coloque un puñado de pellets en el depósito de combustión o pulse el botón PRIME para introducir los pellets en el depósito de combustión. Si ya hay pellets en el depósito de combustión, continúe con el paso 6.

Compruebe lo siguiente:

Asegúrese de tener suficientes pellets en el caldero de combustión para cubrir el electrodo.

PELIGRO

No utilice alcohol, gasolina, líquido para encendedores o queroseno para encender el fuego en su parrilla de pellets.

6. Encienda los pellets dentro del caldero de combustión con un soplete de butano. Deje que los gránulos se quemen durante 1 o 2 minutos. No intente añadir más pellets en el recipiente de combustión. Esto puede provocar un incendio no controlado.
7. Coloque con cuidado la placa de grasa, la rejilla de cocción e instale la manivela de la compuerta de asado. La tapa y el amortiguador de asado deben permanecer cerrados durante el ciclo de arranque.
8. Su unidad debería funcionar correctamente.

IMPORTANTE

Asegúrese de limpiar la ceniza del caldero de combustión después de cada uso para garantizar el buen funcionamiento de su parrilla de pellets.

TEMPORIZADOR

Su parrilla de pellets HALO viene equipada con un práctico temporizador. La función del temporizador no afecta al funcionamiento de la parrilla; puede programar el TEMPORIZADOR para que le avise de otros pasos elegidos durante la cocción, como poner alimentos en la parrilla o bañar la carne.

Para Iniciar el temporizador

1. Pulse el mando de control una vez para encender la unidad. El controlador parpadeará varias veces y luego pasará a ser una pantalla sólida. Esto es para hacerle saber que su parrilla está encendida.
2. Pulse una vez más, y le llevará a la pantalla de funciones donde puede acceder a todas las funciones. Gire el mando de control para seleccionar la función Time (Tiempo).
3. Gire el mando de control hasta el número de horas deseado y, a continuación, pulse el mando de control para confirmar las horas. A continuación, gire de nuevo para ajustar el número de minutos deseado y pulse el mando de control para confirmar los minutos.
4. El temporizador realizará una cuenta atrás hasta cero cuando se ponga en marcha la unidad.

Para Ajustar el Temporizador

Puede cambiar el ajuste del temporizador repitiendo los pasos 1-4 anteriores.

FUNCIONAMIENTO CON BATERÍAS*

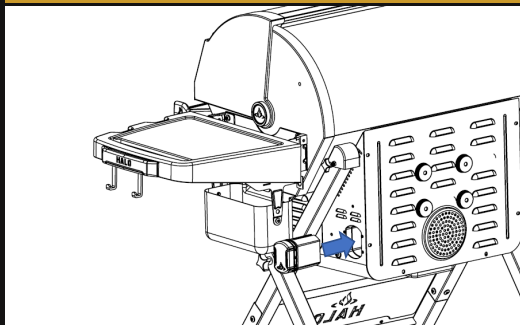
1. Empuje la caja de la batería hacia adentro para permitir que la caja de batería falsa se desprenda de la carcasa. Retire la caja de batería falsa que viene con la unidad y déjela a un lado, luego inserte la batería. Empuje la batería para que el émbolo con resorte la bloquee en su lugar.
2. Aparecerá un icono de batería en el controlador después de insertar la batería en la unidad para hacerle saber que la parrilla está alimentada con batería y cuánta vida le queda a la batería..

* Las baterías se venden por separado.

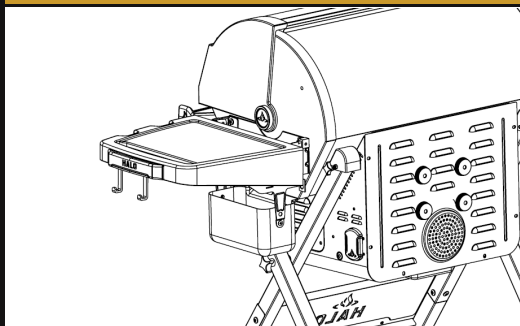
! IMPORTANTE

- Hay un imán en el extremo del émbolo con resorte que mantendrá la batería en su lugar cuando se inserte y desenganche.
- La batería se cargará en la unidad cuando el adaptador de CA esté enchufado. El tiempo medio de carga de una batería es de entre 5 y 6 horas. La forma alternativa de cargar la batería es retirar la batería de la unidad y cargarla con una base de carga Halo. La base de carga y la batería pueden adquirirse en www.halo-pg.com.

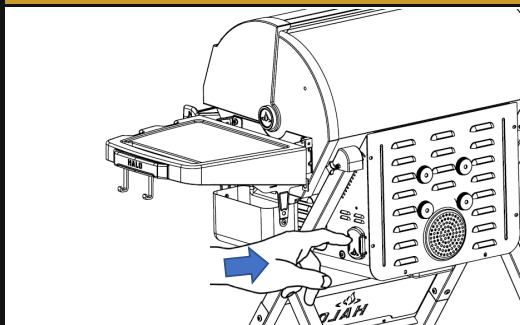
Inserte la batería



Batería Conectada



Batería Desconectada



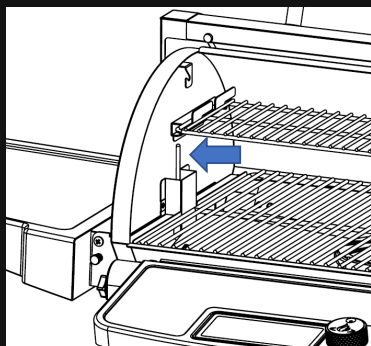
SONDA DE TEMPERATURA

¿QUÉ ES LA SONDA DE TEMPERATURA RTD?

HALO Prime550 tiene una sonda de sensor RTD (Detector de Temperatura de Resistencia) dentro de la parrilla. La sonda suele estar situada en el lado izquierdo de la cámara de cocción, donde la tolva está protegida con el soporte "C".

SONDA DE TEMPERATURA RTD

En el interior de la cámara de ahumado, a la izquierda, se encuentra la sonda del sensor de temperatura RTD. Es una pequeña pieza vertical de acero inoxidable. La sonda de temperatura mide la temperatura interna del aparato. Cuando se ajusta la temperatura en el tablero de control, la sonda de temperatura leerá la temperatura real dentro de la unidad y se ajustará a la temperatura deseada.



! IMPORTANTE

La temperatura de su unidad se ve muy afectada por el clima exterior, la calidad de pellets utilizados, el sabor de los pellets y la cantidad de alimentos que se cocinan.

SONDA DE CARNE

La sonda de carne mide la temperatura interna de su carne en la cámara de ahumado. Enchufe el adaptador de la sonda de carne al puerto de conexión de la sonda de carne e inserte la sonda de carne de acero inoxidable en la parte más gruesa de su carne y la temperatura se mostrará en el tablero de control. Para asegurarse de que la sonda de carne está bien conectada al puerto de conexión, sienta y oiga cómo encaja.



! IMPORTANTE

- Cuando coloque la sonda de carne en la carne, asegúrese de que la sonda de carne y los cables de la sonda de carne no estén en contacto directo con la llama o el exceso de calor. Esto puede provocar daños en la sonda de carne. Pase el cable sobrante a lo largo del borde de la tapa delantera. Cuando no lo utilice, desconéctelo del puerto de conexión de la sonda de carne y colóquelo a un lado para mantenerlo limpio y protegido.
- Asegúrese de colocar la tapa protectora en su sitio para evitar cualquier acumulación de humedad en el interior del receptáculo de la clavija.

PRIMER USO - QUEMADO DE LA PARRILLA DE PELLETS

Antes de utilizar su parrilla de pellets por primera vez con alimentos, es importante completar un quemado. Ponga en marcha la parrilla de pellets y hágala funcionar a la temperatura más alta (350°-375°F / 176-191°C) con la tapa cerrada durante 30 a 45 minutos para quemar y deshacerse de cualquier impureza.

EL CUIDADO DE SU PRIME550

Un paso importante es permitir que la cámara de ahumado y la parrilla de cocción se autolimpíen haciendo funcionar la parrilla de pellets a alta temperatura durante 10 a 20 minutos después de cada uso. Siga estos consejos de limpieza y mantenimiento para revisar su parrilla de pellets:

ADVERTENCIA

Asegúrese de limpiar las cenizas del caldero de combustión después de cada uso para garantizar el buen funcionamiento de su parrilla de pellets. Si no se limpia la ceniza después de cada uso, puede dificultar que los pellets se enciendan o que se acumule el pellet delante del tubo de la barrena, lo que podría provocar una quemadura en el interior del tubo de la barrena.

01. LIMPIEZA DE SUPERFICIES INTERIORES

ADVERTENCIA

Pulse el dial del controlador durante 2 segundos para apagar la unidad y desconecte el cable de alimentación del adaptador de CA o extraiga el módulo de baterías.

PRECAUCIÓN

La graisse accumulée est plus facile à nettoyer lorsque le gril est encore tiède mais pas chaud. Faites attention à ne pas vous brûler. Les gants sont recommandés.

- Limpie periódicamente la grasa de la placa de grasa y el drenaje de grasa. Si se permite que se acumule demasiada grasa en la bandeja de goteo de grasa o se permite que se tape el drenaje de grasa, podría causar un incendio de grasa. Recomendamos encarecidamente que se limpien estos lugares con regularidad.
- Retire la rejilla de la parrilla revestida de porcelana y el depósito de grasa. Raspe la acumulación de grasa del interior de la bandeja de goteo de grasa con un rascador, herramienta

no metálica. La placa de grasa puede lavarse con agua caliente y jabón. Limpie los restos de grasa con toallas de papel o trapos desechables. También se pueden utilizar toallas de papel o trapos desechables para limpiar parte de la grasa de las superficies interiores de la parrilla.

02. LIMPIEZA DEL SENSOR RTD Y DE LA SONDA DE CARNE

- Los pliegues y torsiones del cable de la sonda pueden causar daños. La sonda de carne que no esté en uso debe enrollarse en una bobina grande y suelta.
- Aunque la sonda sea de acero inoxidable, utilice un paño húmedo con detergente suave para limpiarla. No la introduzca en el lavavajillas ni la sumerja en agua. Los daños causados por el agua en los cables internos harán que la sonda sufra un cortocircuito, lo que provocará lecturas falsas. Si una sonda está dañada, debe ser sustituida.

03. LIMPIEZA DE LA PARRILLA DE COCCIÓN

PRECAUCIÓN

Tenga cuidado de no quemarse. La limpieza de la rejilla de la parrilla funciona mejor cuando todavía está caliente. Se recomienda un cepillo de limpieza de mango largo.

- Después de retirar la comida, cepille rápidamente la rejilla de la parrilla. Sólo se tarda un minuto en tenerlo listo para la próxima vez que quiera asar.
- Otra opción es utilizar agua tibia y detergente suave para limpiar la rejilla de cocción.

04. LIMPIEZA DE SUPERFICIES EXTERIORES

⚠️ ADVERTENCIA

- Pulse el dial del controlador durante 2 segundos para apagar la unidad y desconecte el cable de alimentación del adaptador de CA. Asegúrese de que la parrilla de pellets esté FRÍA antes de limpiar las superficies exteriores.
- Utilice un paño desechable humedecido con agua tibia y jabón para limpiar la grasa del exterior de la parrilla.
- NO utilice limpiadores para hornos, limpiadores abrasivos o almohadillas de limpieza abrasivas en las superficies exteriores de la parrilla.

05. LIMPIEZA DE LA CENIZA DEL INTERIOR DE LA CÁMARA DE COMBUSTIÓN Y DE ALREDEDOR DEL RECIPIENTE DE COMBUSTIÓN

⚠️ ADVERTENCIA

Asegúrese de que la parrilla de pellets esté fría antes de limpiar la ceniza.

⚠️ ADVERTENCIA

- La eliminación de las cenizas debe hacerse sólo de acuerdo con las siguientes instrucciones. El exceso de ceniza en el recipiente de combustión puede hacer que el fuego se apague. El recipiente de combustión debe inspeccionarse después de cada uso y limpiarse para eliminar la ceniza acumulada. **NOTA:** La limpieza de la ceniza dentro y alrededor del recipiente de combustión debe hacerse sólo cuando la parrilla de pellets esté fría.
- Retire las rejillas de la parrilla, la bandeja de goteo de grasa y el escudo térmico para poder acceder al recipiente de combustión y al interior de la parrilla. Gran parte de la ceniza que queda fuera del recipiente de combustión puede retirarse de la parrilla con una pequeña pala metálica para chimeneas u otra herramienta similar.

⚠️ ADVERTENCIA

- Una aspiradora es la mejor manera de retirar las cenizas del recipiente de combustión, pero debe hacerse con extremo cuidado para evitar el riesgo de incendio.
- Una aspiradora sin bolsa de tipo utilitario con un recipiente metálico de recogida sería lo mejor para esta tarea. Sin embargo, casi cualquier aspiradora funcionará con seguridad si se sigue correctamente este procedimiento.

- Si su aspiradora es un modelo sin bolsa, vacíe los residuos acumulados anteriormente en la cámara de recogida. A continuación, aspire las cenizas del interior del recipiente de combustión. Una vez que el recipiente de combustión esté limpio, vacíe sin demora la cámara de recogida en el recipiente metálico descrito a continuación. Asegúrese de que no quedan restos de ceniza en la cámara de recogida.
- Si su aspiradora es un modelo que utiliza una bolsa desechable, instale una bolsa sin usar en la máquina. A continuación, aspire las cenizas del interior del recipiente de combustión. Una vez que el recipiente de combustión esté limpio, retire la bolsa del aspirador y colóquela sin demora en el recipiente metálico que se describe a continuación.

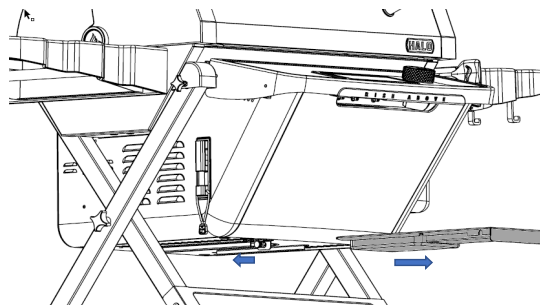
⚠️ ADVERTENCIA

Asegúrese de limpiar la ceniza del caldero de combustión después de cada uso para garantizar el buen funcionamiento de su parrilla de pellets. Si no se limpia la ceniza del recipiente del fuego después de cada uso, puede provocar que los pellets no se enciendan o que se acumule el pellet delante del tubo de la barrena, lo que podría provocar una quemadura en el interior del tubo de la barrena.

06. ELIMINACIÓN DE CENIZAS

⚠️ ADVERTENCIA

Las cenizas deben colocarse en un recipiente metálico con tapa hermética. El contenedor cerrado de cenizas debe colocarse en un suelo no combustible o en el suelo, bien alejado de todo material combustible, hasta su eliminación final. Cuando las cenizas se eliminen enterrándolas en el suelo o dispersándolas localmente de otro modo, deberán conservarse en el contenedor cerrado hasta que todas las cenizas se hayan enfriado completamente.

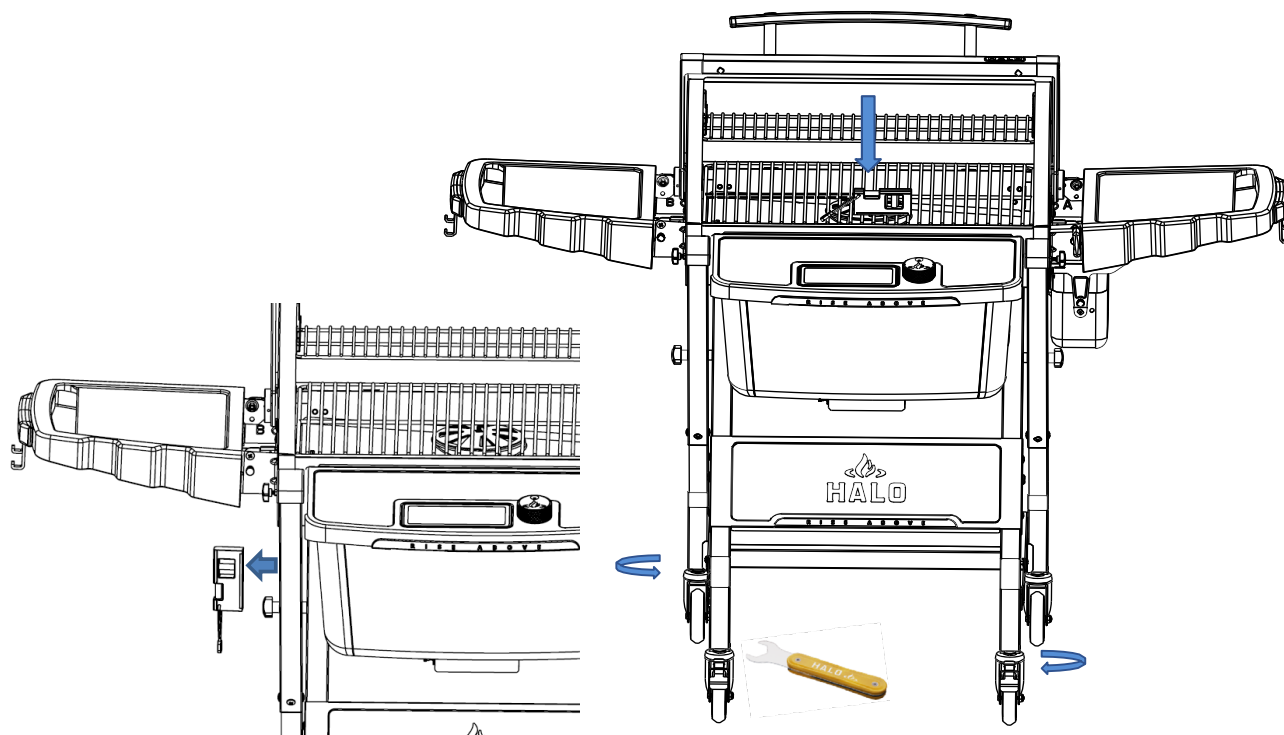


Retire la Bandeja de Cenizas para Deshacerse de las Cenizas – Tire del pasador de resorte de liberación situado en el lado izquierdo de la unidad y, a continuación, tire de la bandeja hacia fuera para vaciar las cenizas.

CÓMO NIVELAR SU PRIME550

Hemos facilitado la nivelación de la superficie de cocción. Utilice el nivelador suministrado (situado en la parte frontal izquierda de la plancha) y la llave de ruedas M12 cuando ajuste las patas (ruedas) de la parrilla de pellet antes de cocinar.

NOTA: Antes de utilizar la unidad, nivélela cuando esté fría.

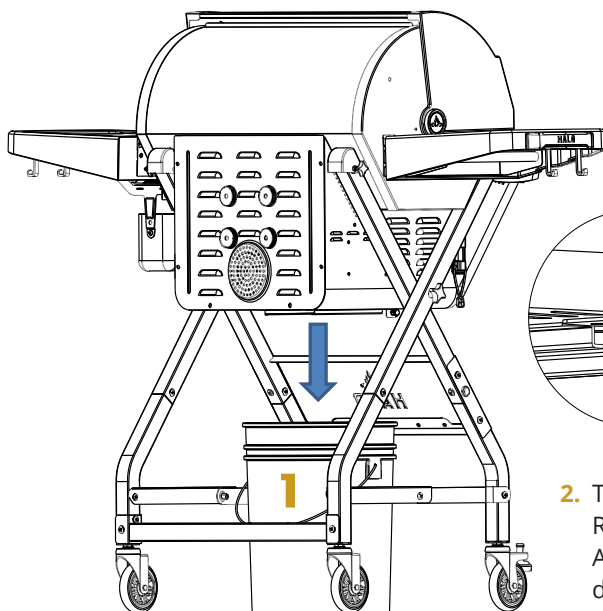


Gire en el sentido de las agujas del reloj para reducir la altura

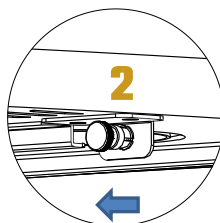
Gire en sentido antihorario para aumentar la altura

LIMPIEZA DE LA PRIME550 PELLET

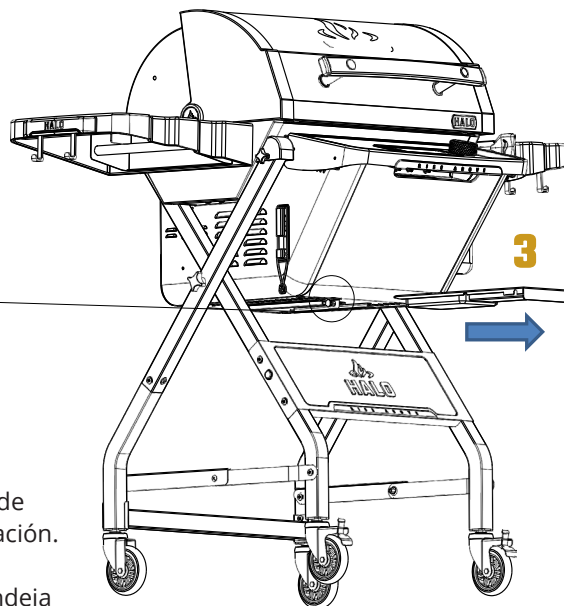
Limpe las cenizas de su parrilla de pellets siguiendo estos pasos:



1. Coloque un recipiente lo suficientemente grande como para contener los pellets desechados debajo de la abertura de la olla de fuego.



2. Tire del Pasador de Resorte de Liberación. A continuación, deslizando la bandeja hacia adelante, retire la ceniza del recipiente del fuego.



3. Tire una vez más del pasador de resorte de liberación para extraer completamente la bandeja de la parrilla. A continuación, siga los pasos de Operación de la Función de Limpieza en la página 51.

CONSEJOS Y TÉCNICAS

SEGURIDAD ALIMENTARIA

Directrices Básicas para la Preparación de Alimentos

- Lávese siempre las manos con agua caliente y jabón durante 20 segundos antes y después de manipular alimentos. No contamine de forma cruzada.
- Mantenga la carne, las aves y el pescado crudos, así como sus jugos, lejos de otros alimentos. Después de cortar carnes crudas, lave la tabla de cortar, los utensilios y los mesones con agua caliente y jabón.

Servir y Mantener la Comida

- Los alimentos calientes deben mantenerse a 140°F (60°C) o más. Los alimentos fríos deben mantenerse a 40°F (5°C) o menos. Nunca descongele los alimentos a temperatura ambiente. Hay cuatro métodos que se pueden utilizar para descongelar los alimentos de forma segura:

FRIGORÍFICO	MICROONDAS	AGUA CORRIENTE	COCINAR
Descongelar en el refrigerador o nevera a 40°F (5°C) o menos.	Los alimentos deben cocinarse por completo inmediatamente después de su descongelación en el microondas.	Sumerja los alimentos bajo agua corriente a 70°F (21°C) o menos en un fregadero limpio y desinfectado.	Descongelar los alimentos como parte del proceso de cocción.

Directrices para Cocinar

- Los alimentos deben cocinarse a su temperatura interna mínima recomendada. Una vez alcanzada esa temperatura, el alimento debe mantenerse a esa temperatura durante un tiempo determinado. Utilice un termómetro con sonda para asegurarse de que los alimentos han alcanzado la temperatura correcta.
- Los alimentos cocinados no deben dejarse al calor durante más de una hora. No deje los alimentos calientes fuera de la refrigeración durante más de dos horas.
- Descongelar y marinar las carnes por refrigeración. No descongele la carne a temperatura ambiente o en el mesón. Las bacterias pueden crecer y multiplicarse rápidamente en alimentos cálidos y húmedos. Lávese bien las manos con agua caliente y jabón antes de empezar a preparar cualquier comida y después de manipular carne fresca, pescado y aves de corral.

TIPO DE ALIMENTO	TEMPERATURA/TIEMPO
<ul style="list-style-type: none"> • Aves de Corral (pollo entero o molido, pavo) • Relleno de pescado, carne o aves de corral • Carnes, mariscos, aves o pastas rellenas 	165°F (74.3°C) durante 15 segundos
<ul style="list-style-type: none"> • Carne picada, cerdo y marisco • Carne inyectada, como los jamones en salmuera • Carne ablandada mecánicamente 	155°F (68.3°C) durante 15 segundos
<ul style="list-style-type: none"> • Mariscos • Filetes/chuletas de cerdo, ternera y cordero 	145°F (62.7°C) durante 15 segundos
<ul style="list-style-type: none"> • Asados de cerdo, vaca, ternera y cordero 	145°F (62.7°C) durante 4 minutos

Cocinar Adecuadamente los Alimentos

- Cuando los alimentos no se cocinan de manera uniforme, tienden a tener todavía algunos microorganismos, que pueden desencadenar además graves problemas de salud al ser ingeridos. Pero cuando se cocinan adecuadamente los alimentos, el calor producido durante ese proceso ayudará a matar la mayor parte de los microorganismos dañinos, y por lo tanto a protegerse contra las enfermedades graves.

Preparación de la Cocina

- Al pasar de una temperatura alta a una baja, abra la tapa y déjela abierta hasta que la temperatura real se acerque a la deseada. Esto acelera el proceso y asegura que el fuego no se apague. Esto se refiere a la preparación de la receta de cocina, el combustible, los accesorios, los utensilios y todos los ingredientes que necesita a su lado antes de empezar a cocinar. Además, lea toda la receta, de principio a fin, antes de encender la parrilla de pellets. **NOTA:** Debido a los accidentes de manipulación de alimentos y a las salpicaduras de la cocina, una alfombra de suelo para barbacoa protegería una terraza, un patio o una plataforma de piedra de la posibilidad de manchas de grasa o derrames accidentales.

Consejos y Técnicas para Ahumar

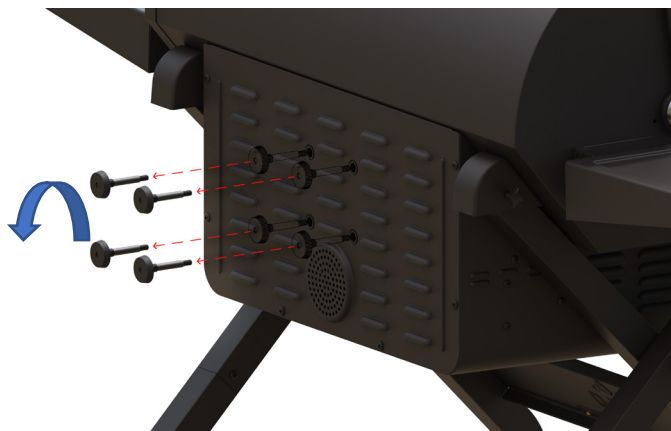
- Para impregnar más sabor a humo en sus carnes, cocine durante más tiempo y a temperaturas más bajas. Prepare la carne a una temperatura baja entre 180–225°F (82–107°C) durante un periodo prolongado. A esta baja temperatura, la carne roja tarda dos horas por libra, mientras que la carne blanca tarda 40 minutos por libra, lo que es considerablemente más largo que la cocción a alta temperatura.
- Utilice siempre un termómetro de carne para determinar la temperatura interna de los alimentos que está cocinando. El ahumado de alimentos con pellets de madera dura hará que las carnes y las aves de corral se vuelvan de color rosa. La banda de color rosa (después de la cocción) se denomina anillo de humo.
- Las salsas a base de azúcar es mejor aplicarlas cerca del final de la cocción para evitar que se quemem y que se produzcan chispazos.
- Deje un espacio abierto entre los alimentos y los extremos de la cámara de cocción para que el calor fluya correctamente. Los alimentos en una parrilla de pellets embalada requerirán más tiempo de cocción.
- Utilice unas pinzas de mango largo para dar la vuelta a las carnes y una espátula para los productos más blandos, como el pescado y el queso. El uso de un utensilio punzante, como un tenedor, pinchará la carne y permitirá que los jugos salgan.
- ¡No se preocupe si se oscurece! La carne debe tener una corteza caoba oscura casi negra. Esto se llama "corteza", que es el resultado de la grasa, las especias y el humo que desarrollan una corteza caramelizada sobre la carne. Antes de sacar la carne de la parrilla, asegúrese de que tiene una buena capa de corteza.
- Abra la tapa con moderación. Cada vez que se abre la parrilla, se pierde calor y humo, dos elementos importantes para obtener un gran sabor ahumado. Abra la tapa sólo cuando realmente necesite atender el fuego o la comida. ¡Relájese, tome una bebida y mantenga la tapa puesta!



CONVERSIÓN DE SU PARRILLA DE PELLETS

CÓMO CONVERTIR SU PARRILLA DE PELLETS DE PORTÁTIL A DE MESÓN

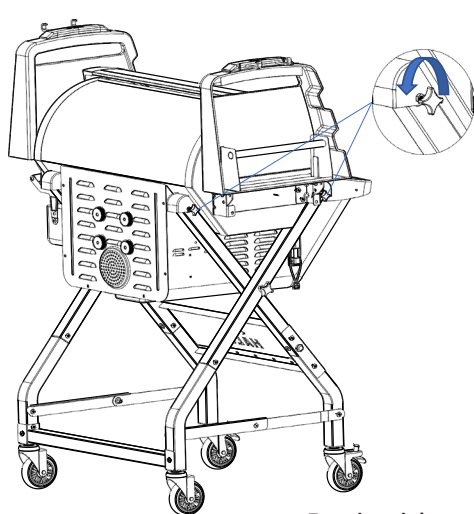
- 1 Retire las patas del panel trasero.



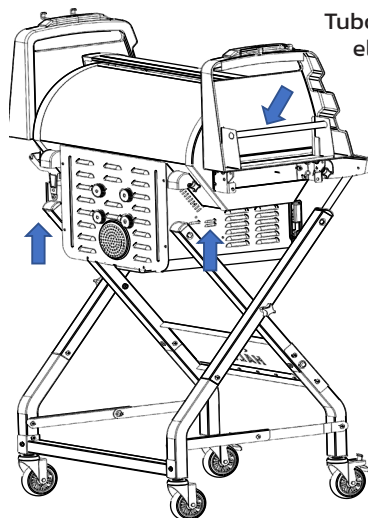
- 2 Instale las patas en la parte inferior de la parrilla girando en sentido contrario a las agujas del reloj.

3 Afloje 4 Perillas con eje roscado de 1/4"-20, luego tire de los pasadores de resorte de liberación para levantar las mesas laterales.

Con la ayuda de amigos, utilice los tubos de asa de elevación situados debajo de las mesas laterales para levantar el conjunto de la cámara del carro.



Ruedas delanteras bloqueadas



Tubo de asa de elevación



4 Coloque el conjunto de la Cámara de Cocción en el banco o mesón con la ayuda de un amigo.



SOLUCIÓN DE PROBLEMAS

Una limpieza y un mantenimiento adecuados, así como el uso de un combustible limpio, seco y de calidad, evitarán los problemas habituales de funcionamiento. Los siguientes consejos para la resolución de problemas pueden ser útiles cuando su Parrilla de Pellets para Exteriores **HALO Prime550** no funciona como debería.

MENSAJE DE ERROR EN LA PANTALLA DEL CONTROLADOR

Es posible que aparezca un mensaje de error en el panel de control. Consulte el siguiente cuadro para conocer los posibles problemas y cómo resolverlos:

CÓDIGO:	ERROR:	SOLUCIÓN:
ERL	Temperatura Baja: La temperatura no puede subir 20F durante más de 14 min después del arranque.	Para solucionarlo, retire los pellets del recipiente de combustión y asegúrese de que el contenedor esté lleno de pellets.
	La temperatura desciende por debajo de la temperatura establecida y se vuelve a encender durante más de 20 min.	Apague el mando y vuelva a encenderlo y reinicie su parrilla.
ERF	Mal Funcionamiento del Ventilador	Sustituya el ventilador. Apague el mando y vuelva a encenderlo y reinicie su parrilla.
	Ventilador Atascado	Elimine los residuos que hacen que el ventilador se atasque. Apague el mando y vuelva a encenderlo y reinicie su parrilla.
	Conector del Ventilador Suelto	Revise el conector del ventilador. Apague el mando y vuelva a encenderlo y reinicie su parrilla.
ERH	Temperatura Alta: La temperatura excede la temperatura permitida 600°F	Deje que la parrilla se enfríe y apáguela. Elimine los pellets restantes del recipiente de combustión y vuelva a encender la parrilla. Si el problema persiste, llame al Servicio de Atención al Cliente.
ERC	Fallo de Encendido	Desenchufe el adaptador de CA y espere de 3 a 5 minutos para que el encendedor se enfríe, y vuelva a encender su parrilla de pellets. Si el problema persiste, sustituya el encendedor.
	Conexión del Encendedor Suelta	Verifique el conector del encendedor. Apague el mando y vuelva a encenderlo y reinicie su parrilla.
ERN	Barrena Atascada	Limpie los pellets de la tolva para eliminar los residuos que hacen que la barrena se atasque. Apague el mando y vuelva a encenderlo y reinicie su parrilla.
	Avería del Motor de la Barrena	Sustituir el Motor de la Barrena. Apague el mando y vuelva a encenderlo y reinicie su parrilla.
	Conector del Motor de la Barrena Suelto	Compruebe el conector del motor de la barrena. Apague el mando y vuelva a encenderlo y reinicie su parrilla.
ERR	Mal Funcionamiento del Sensor RTD	Sustituya el sensor RTD. Apague el mando y vuelva a encenderlo y reinicie su parrilla.
	Conector del sensor RTD suelto	Verifique el conector del sensor RTD. Apague el mando y vuelva a encenderlo y reinicie su parrilla.
ERU	Sobrecarga de la Fuente de Alimentación	Apague el mando y vuelva a encenderlo y reinicie su parrilla. Si el problema persiste, sustituya el adaptador de CA.

ADVERTENCIA

Asegúrese de limpiar la ceniza del recipiente de combustión después de cada uso para garantizar el buen funcionamiento de su parrilla de pellets. Si no se limpia la ceniza del recipiente del fuego después de cada uso, puede provocar que los pellets no se enciendan o que se acumule el pellet delante del tubo de la barrena, lo que podría provocar una quemadura en el interior del tubo de la barrena.

ADVERTENCIA

Desconecte siempre el cable eléctrico antes de abrir la parrilla de pellets Halo para cualquier inspección, limpieza, mantenimiento o trabajo de servicio. Asegúrese de que la unidad se enfríe completamente para evitar lesiones.

NO HAY LUCES DE ENCENDIDO EN EL CONTROLADOR

CAUSA POSIBLE:

- El Botón de Encendido no está conectado a la fuente de alimentación
- La toma de corriente GFCI se ha disparado
- Controlador defectuoso
- Batería no colocada en la unidad

SOLUCIÓN:

- Pulse el Botón de Encendido. Intente de nuevo y mantenga durante dos segundos para verificar la conexión.
- Asegúrese de que la unidad está conectada a una fuente de alimentación que funcione. Reinicie el breaker. Asegúrese de que el GFCI es un servicio mínimo de 10 amperios (consulte el Diagrama de Cableado Eléctrico para acceder a los componentes eléctricos). Asegúrese de que todas las conexiones de cables están firmemente conectadas y secas.
- El controlador necesita ser reemplazado. Llame al Servicio de Atención al Cliente para obtener una pieza de repuesto.
- Inserte la batería si utiliza la energía de la batería. Compruebe que la batería está completamente cargada.

LOS PELLETS EN EL RECIPIENTE DE COMBUSTIÓN NO SE ENCIENDEN

CAUSA POSIBLE:

- Barrena no purgada
- El motor de la barrena está atascado
- Fallo del encendedor

SOLUCIÓN:

- Antes de utilizar la unidad por primera vez o cada vez que el contenedor se vacíe por completo, la barrena debe ser purgada para permitir que el pellet llene el recipiente de combustión. Si no se prepara, el encendedor se apagará antes de que los gránulos se enciendan.
- Retire la rejilla de cocción y la placa de grasa. Pulse el botón de encendido y gire para seleccionar el modo de ajuste para encender la unidad e inspeccionar el sistema de alimentación de la barrena. Confirme visualmente que la barrena está dejando caer los pellets en el recipiente de combustión. Si no funciona correctamente, llame al Servicio de Atención al Cliente para obtener asistencia o una pieza de repuesto.
- Retire la rejilla de cocción y la placa de grasa de la cámara de cocción. Pulse el Botón de Encendido para ENCENDER la unidad. Gire el Dial de Control a la posición Set y pulse para inspeccionar el encendedor. Confirme visualmente que el encendedor funciona viendo las chispas entre los dos electrodos. Confirme visualmente que la separación del encendedor es de aproximadamente 6 mm / 0,25 pulgadas en el recipiente de combustión. Si no funciona correctamente, siga el procedimiento de Arranque Manual para seguir utilizando la parrilla de pellets. Llame al Servicio de Atención al Cliente para obtener asistencia o una pieza de repuesto.

LA PARRILLA DE PELLETS NO ALCANZA O MANTIENE LA TEMPERATURA

CAUSA POSIBLE:

- Flujo de Aire Insuficiente A Través del Recipiente de Combustión
- Falta de Combustible, Mala Calidad del Combustible, Obstrucción en el Sistema de Alimentación
- Sensor de temperatura

SOLUCIÓN:

- Compruebe que el recipiente de combustión no tenga cenizas acumuladas u obstrucciones. Siga las instrucciones de cuidado y mantenimiento de la acumulación de cenizas. Compruebe que el ventilador funciona correctamente y que la entrada de aire no está bloqueada. Siga las Instrucciones de Cuidado y Mantenimiento si se ensucia. Compruebe el motor de la barrena para confirmar su funcionamiento, y asegúrese de que no hay ninguna obstrucción en el tubo de la barrena. Una vez realizados todos los pasos anteriores, ponga en marcha la parrilla de pellets, ajuste la temperatura a 300°F (148°F) y encienda la parrilla de pellets. Compruebe que el fuego es brillante y vibrante.
- Compruebe el contenedor para verificar que el nivel de combustible es suficiente y rellene si está bajo. Si la calidad de los pellets de madera es mala, o la longitud de los pellets es demasiado larga, esto puede causar una obstrucción en el contenedor y la barrena. Retire los gránulos y siga las instrucciones de cuidado y mantenimiento.
- Compruebe el estado de la sonda de temperatura. Siga las instrucciones de Cuidado y Mantenimiento si se cubre con creosota. Póngase en contacto con el Servicio de Atención al Cliente para obtener una pieza de repuesto si está dañada.

LA PARRILLA DE PELLETS PRODUCE UN HUMO EXCESIVO O DESCOLORIDO

CAUSA POSIBLE:

- Acumulación de grasa
- Calidad de los pellets de madera
- Recipiente de Combustión Obstruido
- Insuficiente entrada de aire para el ventilador

SOLUCIÓN:

- Siga las instrucciones de Cuidado y Mantenimiento.
- Retire los pellets de madera húmedos del contenedor. Siga las instrucciones de Cuidado y Mantenimiento para limpiarlo. Sustituir por pellets de madera seca.
- Retire los pellets de madera húmedos del recipiente de combustión y del contenedor y limpie el tubo de la barrena seleccionando el modo de limpieza.
- Compruebe el ventilador y asegúrese de que funciona correctamente y de que la entrada de aire no está bloqueada. Siga las Instrucciones de Cuidado y Mantenimiento si se ensucia.

CHISPAZOS FRECUENTES

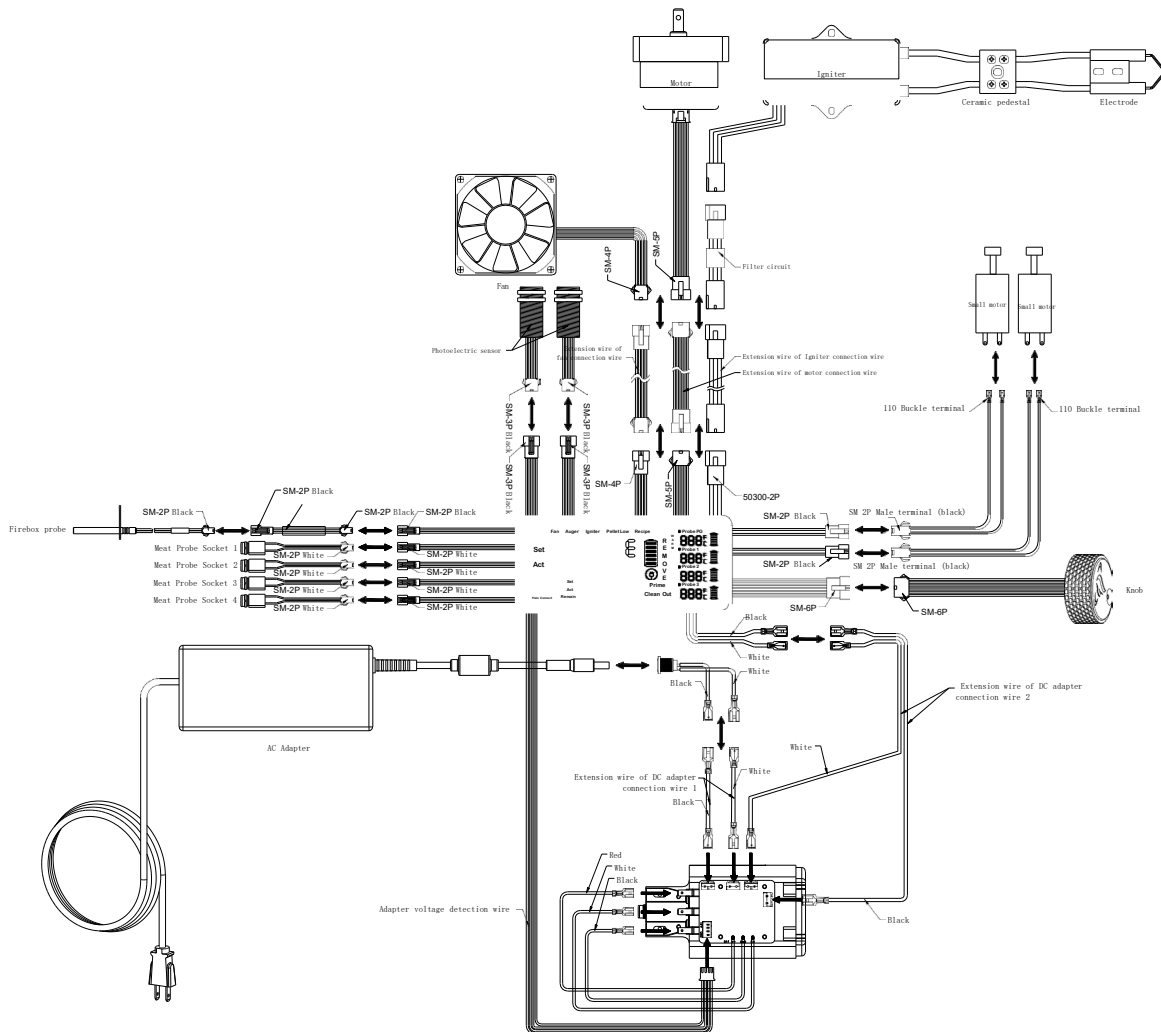
CAUSA POSIBLE:

- Temperatura de cocción
- Acumulación de grasa en los componentes de la cocina

SOLUCIÓN:

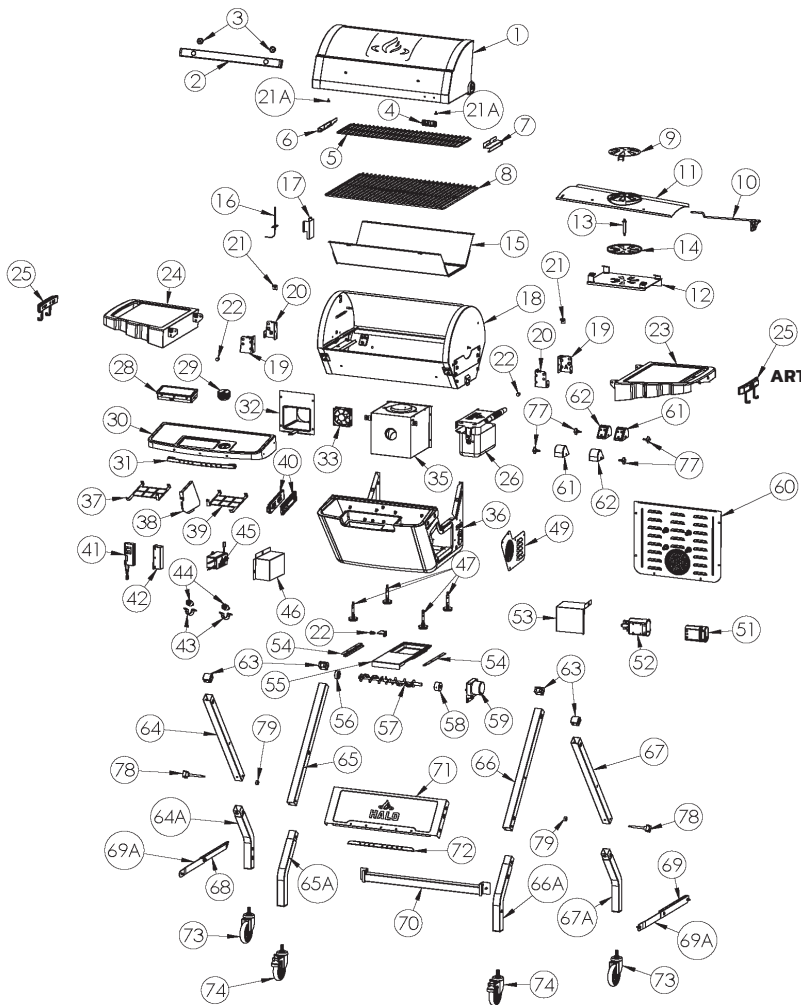
- Intente cocinar los alimentos grasos a una temperatura más baja. La grasa tiene un punto de inflamación más bajo. Mantenga la temperatura por debajo de los 350°F (176°C).
- Siga las instrucciones de Cuidado y Mantenimiento.

DIAGRAMA DE CABLEADO ELÉCTRICO



PRIME550 LISTA DE PIEZAS

ARTÍCULO	DESCRIPCIÓN DE LA PIEZA	NÚMERO	CANTIDAD	ARTÍCULO	DESCRIPCIÓN DE LA PIEZA	NÚMERO	CANTIDAD
1	Montaje de la Tapa	HS-1001-01	1	41	Nivelador	HZ-1007-21	1
2	Conjunto de Asas de la Tapa	HS-1005-02	1	42	Carcasa-Nivelador	HZ-1007-22	1
3	Mango de la Tapa Separador-Bezel	HZ-1001-03	2	43	Cubierta-Vibración-Motor	HS-1001-01	1
4	Placa Halo-Logo	HZ-1004-27	1	44	Vibración-Motor	HS-1001-37	2
5	Rejilla de Calentamiento	HS-1001-02	1	45	Módulo de Encendido	HS-1001-38	2
6	Soporte-WR-Izquierda	HS-1001-04	1	46	Módulo de ignición térmica	HS-1005-28	1
7	Soporte-WR-Derecha	HS-1001-05	1	47	Pie Ajustable	HS-1001-40	4
8	Parrilla de Cocción	HS-1001-06	1	48	Toma de Corriente A/C/110-120 voltios	HZ-1004-33	1
9	Compuerta de Asado Superior	HS-1001-07	1	49	Panel de acceso	HS-1001-41	1
10	Enganche con asa	HS-1001-08	1	50	ADAPTADOR C/A	HS-1005-36	1
11	Placa abrasadora	HS-1001-09	1	51	Caja de la Batería	HS-1005-33	1
12	Conjunto de Placa de Control de Flare up	HS-1001-10	1	52	Módulo PSM	HS-1005-39	1
13	Elevador-amortiguador superior/inferior	HS-1001-11	1	53	Módulo Heat Shield-PSM	HS-1001-42	1
14	Compuerta de Asado Inferior	HS-1001-12	1	54	Soporte de soporte-Bandeja de limpieza-L/R	HS-1001-43	2
15	Bandeja de grasa	HS-1001-13	1	55	Bandeja de limpieza	HS-1001-44	1
16	Sensor de Temperatura RTD	HS-1001-14	1	56	Rodamiento-Barrena	HS-1001-45	1
17	Soporte-Sensor de Temperatura RTD	HS-1001-15	1	57	Conjunto Barrena	HS-1001-46	1
18	Conjunto de la cámara de cocción	HS-1001-16	1	58	Casquillo de Nylon-Barrena	HS-1001-47	1
19	Soporte-Lateral Mesa-A	HS-1001-17	2	59	Motor de la Barrena	HS-1005-29	1
20	Soporte-Lateral Mesa B	HS-1001-18	2	60	Cámara de cocción-Panel trasero	HS-1001-48	1
21	Tapa-Parachoques-Lateral	HS-1001-19	2	61	Soporte-Pata-Izquierda	HS-1001-49	2
21A	Tapa-Parachoques-Delantero	HS-1001-20	2	62	Soporte-Pata-Derecha	HS-1001-50	2
22	Muelle de liberación Mesa lateral de pasadores y bandeja de limpieza	HS-1001-21	3	63	Cubierta de Pata	HS-1001-51	4
23	Mesa Auxiliar-Derecha	HS-1001-22	1	64	Pierna Izquierda - Larga Externa	HS-1001-52	1
24	Mesa Auxiliar-Izquierda	HS-1001-23	1	64A	Pierna Izquierda - Corta Externa	HS-1001-53	1
25	Gancho para herramientas "JJ"	HZ-1001-06	2	65	Pierna Izquierda - Larga Interior	HS-1001-54	1
26	Cubo de grasa con tapa	HZ-1007-18	1	65A	Pierna Izquierda - Corta Interior	HS-1001-55	1
28	Controlador	HS-1001-26	1	66	Pierna Derecha - Larga Interna	HS-1001-56	1
29	Perilla de Control	HS-1005-35	1	66A	Pierna Derecha - Corta Interna	HS-1001-57	1
30	Tapa-Hopper	HS-1001-27	1	67	Pierna Derecha - Larga Externa	HS-1001-58	1
31	Tapa para plato RISE ABOVE con logotipo	HS-1001-28	1	67A	Pierna Derecha - Corta Externa	HS-1001-59	1
32	Carcasa del ventilador	HS-1001-29	1	68	Soporte de Pivote-A	HS-1001-60	1
33	Ventilador	HS-1001-30	1	69	Soporte de Pivote-B	HS-1001-61	1
34	Electrodo	HS-1005-16	1	69A	Soporte de Pivote-C	HS-1001-62	2
35	Montaje del caldero de combustión	HS-1001-31	1	70	Soporte trasero	HS-1001-63	1
36	Conjunto de la carcasa de la tolva	HS-1001-32	1	71	Panel frontal	HS-1001-64	1
37	Pantalla protectora-Izquierda	HS-1001-33	1	72	Placa con el logotipo de RISE ABOVE	HZ-1004-39	1
38	Divider-Hopper	HS-1001-34	1	73	Ruedas-giratorias	HO-1006-XNA-12	2
39	Pantalla protectora-Derecha	HS-1001-35	1	74	Ruedas con bloqueo	HO-1006-XNA-13	2
40	Portaobjetos-Tapa común	HS-1001-36	2	75	Sonda de Carne	HS-1005-19	1
				76	Cordón envolvente-Sonda de carne	HS1001-65	1



ARTÍCULO DESCRIPCIÓN DE LA PIEZA

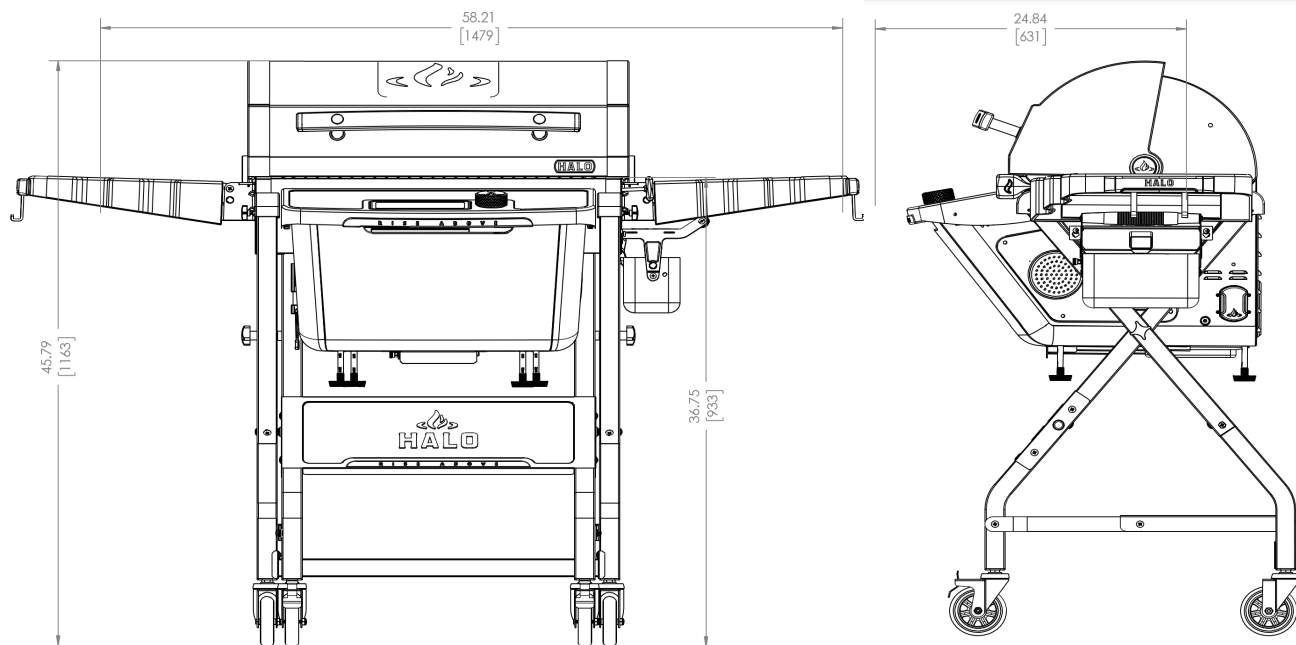
- BLISTER DE HARDWARE**
- 77 1/4"-20x15 mm Pomo con Eje roscado
 - 78 M6 x 63 mm Pomo con Eje roscado
 - 79 Espaciador de Nylon
 - 80 M6 x 12 mm Tornillo de cabeza de cercha
 - 81 M6 x 2.5H x 9.5D-Tornillo de tope
 - 82 Tornillo M6 x 14 mm
 - 83 Llave M12

NÚMERO CANTIDAD

HS-1001-66	1
HZ-1001-42-A	4
HO-1006-21	2
HZ-1001-45	2
HS-1001-68	6
HS-1001-67	8
HZ-1001-40	32
HS-1001-46	1



DIMENSIONES ENSAMBLADAS



GARANTÍA LIMITADA DE CINCO (5) AÑOS

Esta garantía sólo aplica a los productos adquiridos en un distribuidor autorizado después de utilizar REGISTRAR MI HALO a través de los códigos QR o en www.halo-pg.com para registrar un nuevo producto. El registro debe realizarse dentro de los 30 días siguientes a la compra al Fabricante para poder beneficiarse de esta garantía. En virtud de esta garantía, el Fabricante garantiza expresamente lo siguiente:

El fabricante garantiza únicamente al consumidor-comprador original que este producto estará libre de defectos de mano de obra y materiales después de un montaje correcto y bajo un uso doméstico normal y razonable durante los períodos indicados a continuación a partir de la fecha de compra.

ALCANCE DE LA COBERTURA	PERIODO DE COBERTURA	TIPO DE COBERTURA DE LA AVERÍA
HALO ofrece una garantía contra defectos y mano de obra en todas las piezas y componentes que no están cubiertos a continuación	5 años	SÓLO DEFECTOS DE PERFORACIÓN, FABRICACIÓN Y MATERIALES
Componentes Eléctricos	1 año	
Pintura	1 año	

El fabricante se reserva el derecho de exigir que las piezas defectuosas sean devueltas, con franqueos pagados por el consumidor para su revisión y examen.

Conserve una copia del comprobante de compra para validar su garantía. Es posible que se le pida que envíe una copia de su recibo para confirmar cualquier solicitud de garantía.

El consumidor-comprador original será responsable de todos los gastos de envío de las piezas sustituidas bajo los términos de esta garantía limitada. Esta garantía limitada es aplicable únicamente en Estados Unidos y Canadá, sólo está disponible para el propietario original del producto y no es transferible. El fabricante requiere una prueba de la fecha de compra. Por lo tanto, debe conservar el comprobante de venta o la factura. El registro de su producto no sustituye a la prueba de compra y el fabricante no es responsable ni está obligado a conservar los registros de prueba de compra. Esta garantía limitada aplica SÓLO a la funcionalidad del producto y no cubre problemas estéticos como arañazos, abolladuras, corrosiones o decoloración por el calor, limpiadores abrasivos y químicos o cualquier herramienta utilizada en el montaje o instalación del aparato, óxido en la superficie o decoloración de las superficies de acero inoxidable. La pintura no está incluida en la garantía y requerirá retoques. El ÓXIDO no se considera un defecto de fabricación o de los materiales.

Esta garantía limitada no le reembolsará el costo de cualquier inconveniente, comida, lesión personal o daño a la propiedad.

GARANTÍA LIMITADA DE CINCO (5) AÑOS

ARTÍCULOS QUE EL FABRICANTE NO PAGARÁ

1. Gastos de envío, estándar o expedito, para la garantía y las piezas de recambio.
2. Llamadas de servicio a domicilio.
3. Reparaciones cuando su producto se utiliza para un uso distinto al normal, doméstico o residencial.
4. Los daños, fallos o dificultades de funcionamiento resultantes de accidentes, alteraciones, manipulación o funcionamiento descuidado o negligente, uso por parte de menores, uso indebido, abuso, incendio, inundación, instalación o mantenimiento inadecuados, instalación no conforme a los códigos eléctricos o de plomería, o uso de productos no aprobados por el fabricante, o uso de productos no permitidos por las leyes, reglamentos y códigos federales, estatales o locales.
5. Cualquier pérdida de alimentos debida a fallos del producto o a dificultades de funcionamiento.
6. Los costos de las piezas de repuesto o mano de obra de reparación de las unidades que se utilizan fuera de los Estados Unidos o Canadá.
7. Recogida y entrega de su producto.
8. Reparaciones a piezas o sistemas resultantes de modificaciones no autorizadas realizadas en el producto.
9. La recogida y/o reinstalación de su producto.

Renuncia a las Garantías Implícitas y Limitación de los Recursos

La reparación o la sustitución de las piezas defectuosas es el único recurso que le corresponde según los términos de esta garantía limitada. En caso de que haya problemas de disponibilidad de piezas, el fabricante se reserva el derecho de sustituirlas por otras iguales o similares que sean igualmente funcionales. El fabricante no será responsable de ningún daño consecuente o incidental que surja del incumplimiento de esta garantía limitada o de cualquier garantía implícita aplicable, o por fallos o daños resultantes de actos fortuitos, cuidado y mantenimiento inadecuados, incendio por grasa, accidente, alteración, sustitución de piezas por cualquier persona que no sea el fabricante, uso indebido, transporte, uso comercial, abuso, entornos hostiles (inclemencias del tiempo, actos de la naturaleza, manipulación por parte de animales), instalación inadecuada o instalación que no esté de acuerdo con los códigos locales o las instrucciones impresas del fabricante.

5 YEAR
LIMITED
WARRANTY

ESTA GARANTÍA LIMITADA ES LA ÚNICA GARANTÍA EXPRESA OFRECIDA POR EL FABRICANTE. NINGUNA ESPECIFICACIÓN O DESCRIPCIÓN DEL RENDIMIENTO DEL PRODUCTO, DONDEQUIERA QUE APAREZCA, ESTÁ GARANTIZADA POR EL FABRICANTE, EXCEPTO EN LA MEDIDA ESTABLECIDA EN ESTA GARANTÍA LIMITADA. CUALQUIER PROTECCIÓN DE GARANTÍA IMPLÍCITA QUE SURJA BAJO LAS LEYES DE CUALQUIER ESTADO, INCLUYENDO LA GARANTÍA IMPLÍCITA DE COMERCIALIZACIÓN O IDONEIDAD PARA UN PROPÓSITO O USO PARTICULAR, SE LIMITA POR LA PRESENTE LIMITADA A LA DURACIÓN Y EL ALCANCE ESTABLECIDOS EN ESTA GARANTÍA LIMITADA.

La responsabilidad máxima del fabricante, en cualquier caso, no superará el precio de compra del producto pagado por el consumidor original. NOTA: Algunos estados no permiten la exclusión o limitación de los daños incidentales o consecuentes, por lo que algunas de las limitaciones o exclusiones anteriores pueden no aplicarse en su caso. Esta garantía limitada le otorga los derechos legales específicos que se establecen en el presente documento. También puede tener otros derechos que varían de un estado a otro. Para las compras hechas sólo en el estado de California, si el reacondicionamiento o la sustitución del producto no son comercialmente viables, el minorista de California que vende este producto reembolsará el precio de compra pagado por el producto, menos la cantidad directamente atribuible al uso por parte del consumidor-comprador original antes de descubrir la no conformidad. Además, sólo en el estado de California, puede llevar el producto al establecimiento de venta de este producto para obtener el cumplimiento de esta garantía limitada. Si desea exigir el cumplimiento de cualquier obligación en virtud de esta garantía limitada del Fabricante, debe escribir a:

Halo Products Group LLC 850 West Park Rd Elizabethtown KY, 42701

No se aceptarán devoluciones de consumidores a menos que se adquiera primero una Autorización de Devolución válida del Fabricante. Las devoluciones autorizadas se marcarán claramente en el exterior del paquete con un número RA y el paquete se envía con franqueo pre-pagado. Las devoluciones de los consumidores que no cumplan estas normas serán rechazadas.

SERVICIO AL CONSUMIDOR

Si tiene preguntas sobre su producto, o si necesita piezas de repuesto, póngase en contacto con nosotros:

Llamada gratuita: 1-833-572-1688 o

Visítenos en línea en **www.halo-pg.com**

MANUEL DU PROPRIÉTAIRE

MODÈLE N°. HS-1001-XNA



⚠ WARNING

« LE NON RESPECT DES DÉGAGEMENTS (ESPACES D'AIR) REQUIS PAR RAPPORT AUX MATÉRIAUX COMBUSTIBLES EST UNE CAUSE MAJEURE D'INCENDIES. IL EST DE LA PLUS HAUTE IMPORTANCE QUE CE PRODUIT SOIT INSTALLÉ UNIQUEMENT EN CONFORMITÉ AVEC CES INSTRUCTIONS. »

**POUR UN USAGE EXTÉRIEUR
UNIQUEMENT.**

⚠ WARNING

« Veuillez lire ce manuel dans son intégralité avant d'installer et d'utiliser cet appareil à granulés de bois. Le non-respect de ces instructions peut entraîner des dommages matériels, des blessures corporelles, voire la mort. »

⚠ WARNING

- « LISEZ TOUTES LES INSTRUCTIONS AVANT D'INSTALLER ET D'UTILISER L'APPAREIL. »
- « ENREGISTREZ CES INSTRUCTIONS. »

Halo Products Group LLC
850 West Park Rd Elizabethtown KY, 42701
Toll free: 1-833-572-1688

SCAN POUR
Enregistrement du produit
Guide du propriétaire en ligne
Vidéos d'assemblage



INFORMATIONS IMPORTANTES SUR LA SÉCURITÉ

DANGERS ET AVERTISSEMENTS

- « Contactez les responsables locaux de la construction ou des incendies pour connaître les restrictions et les exigences en matière d'inspection de l'installation dans votre région. »
- « N'utilisez jamais d'essence, de combustible pour lanterne de type essence, de kérosène, d'allume-feu pour charbon de bois ou de liquides similaires pour allumer ou 'attiser' un feu dans cet appareil. Gardez tous ces liquides à bonne distance de l'appareil lorsqu'il est utilisé. »
- Attention à la cuisson sans surveillance :
 - « Retirez les casseroles et les poêles lorsque l'appareil en fonctionnement est sans surveillance, afin de réduire le risque d'incendie. »
 - « NE PAS utiliser d'accessoires non spécifiés pour être utilisés avec cet appareil. »

AVERTISSEMENT

Suivez ces directives pour éviter que ce gaz incolore et inodore ne vous empoisonne, vous, votre famille, vos animaux domestiques ou d'autres personnes :

- Apprenez à reconnaître les symptômes d'une intoxication au monoxyde de carbone : maux de tête, vertiges, faiblesse, nausées, vomissements, somnolence et confusion. Le monoxyde de carbone réduit la capacité du sang à transporter l'oxygène. Un faible taux d'oxygène dans le sang peut entraîner une perte de conscience et la mort.
- Consultez un médecin si vous ou d'autres personnes présentent des symptômes de rhume ou de grippe. L'intoxication au monoxyde de carbone, qui peut facilement être confondue avec un rhume ou une grippe, est souvent détectée trop tard.
- La consommation d'alcool et de drogues augmente les effets de l'empoisonnement au monoxyde de carbone.
- « N'utilisez jamais d'essence, de combustible pour lanterne de type essence, de kérosène, d'allume-feu pour charbon de bois ou de liquides similaires pour allumer ou « attiser » un feu dans cet appareil. Gardez tous ces liquides à bonne distance de l'appareil lorsqu'il est utilisé. »
- Il est important de suivre les étapes suivantes si le feu dans le foyer s'éteint pendant que vous fumez et qu'il y a encore suffisamment de pellets dans la trémie à pellets. Le non-respect de cette consigne peut entraîner une surchauffe dangereuse de votre gril en raison d'un excès de granulés non brûlés dans le foyer.

AVERTISSEMENT

- Un dégagement minimum de 36" (914,4 mm) entre les constructions combustibles et les côtés du gril à granulés et entre l'arrière du gril à granulés et les constructions combustibles doit être maintenu.
- Toute limitation de l'assemblage de deux ou plusieurs pièces pour constituer un ensemble, comme l'installation de pieds de support, de boîtiers et autres.
- N'utilisez pas cet appareil à l'intérieur, dans une zone fermée non ventilée, sous un plafond ou un surplomb combustible. Gardez votre gril à granulés dans un endroit dégagé et exempt de matériaux combustibles, d'essence et d'autres vapeurs et liquides inflammables.

DANGER

- Conservez les cordons d'alimentation électrique et le combustible à l'écart des surfaces chauffées. N'utilisez pas votre gril à granulés sous la pluie ou à proximité d'une source d'eau.
- Après une période de stockage ou de non-utilisation, vérifiez que le pot de combustion n'est pas obstrué, que la trémie ne contient pas de corps étrangers et que l'air n'est pas bloqué autour de l'entrée du ventilateur ou des trous d'évacuation du canon arrière. Nettoyer avant l'utilisation.

ATTENTION

- Des soins et un entretien réguliers sont nécessaires pour prolonger la durée de vie de votre gril à granulés HALO. Si le gril à granulés est entreposé à l'extérieur pendant la saison des pluies ou les saisons de forte humidité, utilisez une couverture de gril HALO pour vous assurer que l'eau de pluie ne pénètre pas dans la trémie.
- Ne transportez pas votre gril à granulés lorsqu'il est utilisé ou lorsqu'il est chaud. Vérifiez que le feu est complètement éteint et que le gril à granulés est complètement froid au toucher avant de le déplacer.
- Les granulés de bois se dilatent considérablement lorsqu'ils sont mouillés ou exposés à une forte humidité, se décomposent et peuvent bloquer le système d'alimentation. Débranchez toujours l'alimentation avant d'effectuer tout service ou entretien.
- STOCKAGE EXTÉRIEUR : « **ATTENTION !** » Si le gril est entreposé à l'extérieur pendant la saison des pluies, il faudra veiller à ce que l'eau ne pénètre pas dans la trémie à granulés. Les granulés de bois se dilatent fortement lorsqu'ils sont humides et bloquent la vis sans fin. Couvrez toujours votre gril lorsqu'il n'est pas utilisé avec la housse Halo Grill Cover. Cette housse sur mesure peut être achetée sur www.halo-pg.com.

AVERTISSEMENT

PROPOSITION 65 DE CALIFORNIE

Ce produit peut vous exposer à des produits chimiques, y compris le monoxyde de carbone, qui sont connus dans l'État de Californie pour causer le cancer et des anomalies congénitales ou d'autres problèmes de reproduction. Pour plus d'informations, consultez le site www.P65Warnings.ca.gov

COMBUSTIBLE POUR GRANULÉS DE BOIS

- Cet appareil de cuisson à granulés est conçu et approuvé pour le combustible bois naturel en granulés uniquement. Tout autre type de combustible brûlé dans cet appareil annulera la garantie et l'avertissement de sécurité.
- Vous devez utiliser uniquement des granulés de bois naturels, conçus pour être brûlés dans un gril à granulés.
- "Utilisez uniquement le combustible à granulés de bois spécifié par le fabricant. N'utilisez pas de combustible en granulés étiqueté comme ayant des additifs."
- Vous ne devez utiliser que des granulés de bois naturel conçus pour être brûlés dans des grils à granulés.
- "N'utilisez pas d'accessoires qui ne sont pas spécifiés pour être utilisés avec cet appareil."

Le pouvoir calorifique moyen des granulés est de 30 000 BTU/LB (31 651 KJ/Kg), teneur en cendres < 1 %.

Il n'existe actuellement aucune norme industrielle pour les granulés de bois pour barbecue, bien que la plupart des usines de granulés utilisent les mêmes normes pour fabriquer des granulés de bois à usage domestique. Pour plus d'informations, consultez le site www.pelletheat.org ou le **Pellet Fuel Institute**. Veuillez contacter votre revendeur local de granulés de qualité alimentaire pour connaître la qualité des granulés dans votre région, et pour obtenir des informations sur la qualité des marques. Comme il n'y a aucun contrôle sur la qualité des granulés utilisés, les granulés sont affectés par l'humidité. Halo Products Group LLC n'assume aucune responsabilité pour les dommages causés à l'appareil par la mauvaise qualité du combustible.

QUE DEVEZ-VOUS SAVOIR SUR LA CRÉOSOTE ?

La créosote, ou la suie, est une substance ressemblant à du goudron. En brûlant, il produit une fumée noire avec un résidu qui est également de couleur noire. La suie ou la créosote se forme lorsque l'appareil est utilisé de manière incorrecte, par exemple : blocage du pot de combustion, blocage du ventilateur de combustion, manque de nettoyage et d'entretien de la zone de combustion ou mauvaise combustion air-combustible.

« Créosote - Formation et nécessité d'élimination. Lorsque les granulés de bois sont brûlés lentement, ils produisent du goudron et d'autres vapeurs

organiques qui se combinent à l'humidité expulsée pour former de la créosote. Les vapeurs de créosote se condensent dans le conduit de fumée et la hotte aspirante relativement frais d'un feu à combustion lente. En conséquence, des résidus de créosote s'accumulent sur le revêtement du conduit de fumée et la hotte d'évacuation. Lorsqu'elle est enflammée, cette créosote produit un feu extrêmement chaud. »

Il est dangereux de faire fonctionner cet appareil si la flamme devient sombre ou fuligineuse, ou si le pot de combustion est trop rempli de granulés. Lorsqu'elle s'enflamme, cette créosote provoque un feu extrêmement chaud et incontrôlé, comme un feu de graisse. Si cela se produit, éteignez l'appareil, laissez-le refroidir complètement, puis inspectez-le pour l'entretenir et le nettoyer. Il s'accumule généralement le long des zones d'échappement.

Si de la créosote s'est formée dans l'appareil, laissez-la se réchauffer à basse température, éteignez l'appareil, puis essuyez toute formation avec un essuie-main. Comme le goudron, il est beaucoup plus facile à nettoyer lorsqu'il est chaud, car il devient liquide.

« Le conduit de graisses doit être inspecté au moins deux fois par an pour déterminer si des accumulations de graisses et/ou de créosote se sont produites. »

« Lorsque la graisse ou la créosote s'est accumulée, il faudra l'enlever pour réduire les risques d'incendie. »

AVERTISSEMENT ÉLIMINATION DES CENDRES

Les cendres doivent être placées dans un récipient métallique avec un couvercle hermétique. Le récipient fermé contenant les cendres doit être placé sur un sol non combustible ou sur le sol, à l'écart de tous les matériaux combustibles, en attendant l'élimination finale. Lorsque les cendres sont éliminées par enfouissement dans le sol, ou autrement dispersées localement, elles doivent être conservées dans un récipient fermé jusqu'à ce que toutes les cendres aient complètement refroidi.

MONOXYDE DE CARBONE « TUEUR SILENCIEUX »

AVERTISSEMENT

Le monoxyde de carbone (CO) est un gaz qui peut vous tuer rapidement. On l'appelle le « tueur silencieux » car il est incolore, inodore, insipide et non irritant. C'est un gaz incolore, inodore et sans saveur produit par la combustion de gaz, de bois, de propane, de charbon de bois ou d'un autre combustible.

Le monoxyde de carbone réduit la capacité du sang à transporter l'oxygène. Un faible taux d'oxygène dans le sang peut entraîner des maux de tête,

des étourdissements, une faiblesse, des nausées, des vomissements, une somnolence, une confusion, une perte de conscience ou la mort. Suivez ces directives pour éviter que ce gaz incolore et inodore ne vous empoisonne, vous, votre famille ou d'autres personnes :

« Le monoxyde de carbone est particulièrement toxique pour la mère et l'enfant pendant la grossesse, les nourrissons, les personnes âgées, les fumeurs et les personnes souffrant de problèmes sanguins ou du système circulatoire comme l'anémie ou les maladies cardiaques. »

La consommation d'alcool et de drogues augmente les effets de l'empoisonnement au monoxyde de carbone.

Consultez un médecin si vous ou d'autres personnes développez des symptômes de rhume ou de grippe pendant la cuisson ou à proximité de l'appareil. L'intoxication au monoxyde de carbone, qui peut facilement être confondue avec un rhume ou une grippe, est souvent détectée trop tard.

AVERTISSEMENT

Veillez à nettoyer les cendres du pot de combustion après chaque utilisation pour assurer le bon fonctionnement de votre gril à granulés. Si vous ne nettoyez pas les cendres du pot de combustion après chaque utilisation, les granulés pourraient ne pas s'enflammer ou s'accumuler devant le tube de la vis sans fin, ce qui pourrait causer un retour de flamme à l'intérieur du tube de la vis sans fin.

BATTERIE RECHARGEABLE AU LITHIUM-ION

IMPORTANT

Lisez et suivez les informations contenues dans ce document avant de manipuler la batterie rechargeable. Conservez ce document dans un endroit sûr.

DANGERS DES BATTERIES LITHIUM-ION

Les risques d'incendie des batteries lithium-ion sont associés aux densités d'énergie élevées et à l'électrolyte organique inflammable. Cela crée de nouveaux défis pour l'utilisation, le stockage et la manipulation. Des études ont montré que les dommages physiques, les abus électriques tels que les courts-circuits et les surcharges, et les expositions à des températures élevées peuvent provoquer un emballement thermique. Il s'agit d'un auto-échauffement rapide dû à une réaction chimique exothermique qui peut entraîner un emballement thermique en chaîne des cellules adjacentes.

STOCKAGE

- Conservez les batteries à l'écart des matériaux combustibles.
- Retirez les batteries de l'appareil pour un stockage à long terme.
- Stockez les batteries à des températures comprises entre 41°F et 68°F.
- Si possible, stockez les batteries dans une armoire de stockage en métal.

PRATIQUE DE CHARGEMENT

- Ne chargez jamais une pile primaire (lithium ou alcaline jetable) ; conservez les batteries à usage unique séparément.
- Chargez ou déchargez la batterie à environ 50 % de sa capacité avant un stockage à long terme.
- Utilisez des chargeurs ou des méthodes de charge conçus pour charger en toute sécurité les blocs de batteries aux paramètres spécifiés.
- Débranchez immédiatement les batteries si, pendant le fonctionnement ou la charge, elles émettent une odeur inhabituelle, développent de la chaleur, changent de forme/géométrie ou se comportent anormalement.
- Retirez le bloc batteries du chargeur dès que la charge est terminée.
- N'utilisez pas le chargeur comme lieu de stockage.

MANIPULATION ET UTILISATION

- Manipulez les batteries ou les appareils alimentés par batteries avec précaution pour ne pas endommager le boîtier de la pile ou les connexions.
- Évitez que les batteries n'entrent en contact avec des matériaux conducteurs, de l'eau, de l'eau de mer, des oxydants et des acides forts.
- Ne placez pas les batteries à la lumière directe du soleil, sur des surfaces chaudes ou dans des endroits chauds.
- Inspectez les batteries pour détecter tout signe de dommage avant de les utiliser. N'utilisez jamais et jetez rapidement les batteries endommagées ou gonflées.
- Maintenez tous les matériaux inflammables à l'écart de la zone de fonctionnement.
- Laissez le temps de refroidir avant de charger une batterie qui est encore chaude après son utilisation et d'utiliser une batterie qui est encore chaude après sa charge.
- Envisagez la construction d'un boîtier de cellule (souple avec des événements) et un blindage de protection pour la recherche et l'application expérimentale ou évolutive des batteries et leur utilisation.

ÉLIMINATION

Jetez les blocs-batteries endommagés qui ne tiennent plus une charge importante. Pour vérifier l'état général de vos cellules, chargez-les, laissez-les reposer pendant une heure, puis mesurez la tension. Si vos cellules sont proches de 12V, la batterie est en bon état.

CONSEILS DE SÉCURITÉ

- Gardez la batterie hors de la vue et de la portée des enfants.
 - La batterie rechargeable au lithium-ion est potentiellement dangereuse et peut présenter un risque d'incendie, de blessure grave et/ou de dommage matériel si elle est endommagée, défectueuse ou mal utilisée.
 - En achetant la batterie, vous assumez tous les risques associés à la batterie. Nous ne sommes pas responsables des dommages et des dommages consécutifs à l'utilisation de nos produits. À utiliser à vos risques et périls.
 - Ne pas démonter ou modifier la batterie de quelque manière que ce soit. Les vibrations, la perforation, le contact avec des métaux ou l'altération de la batterie peuvent entraîner sa défaillance.
 - Ne pas démonter ou modifier la batterie de quelque manière que ce soit. Les vibrations, la perforation, le contact avec des métaux ou l'altération de la batterie peuvent entraîner sa défaillance.
 - Ne laissez jamais la batterie sans surveillance pendant la charge. Si la batterie devient chaude, fume, gonfle ou dégage une odeur pendant la charge, arrêtez immédiatement la charge.
 - Si la batterie fuit et que le liquide entre en contact avec votre peau ou vos yeux, ne frottez pas. Rincez bien à l'eau et consultez immédiatement un médecin. S'il n'est pas traité, le liquide de la batterie peut causer des dommages aux yeux et à la peau.
- **LA CHARGE EST TENTÉE À DES TEMPÉRATURES INFÉRIEURES À 40°F.** La charge en dessous de 40°F provoque une réaction chimique dans les cellules de la batterie qui peut causer des dommages permanents et la possibilité d'un incendie ou d'une explosion pendant la charge.
 - **LA BATTERIE A ÉTÉ EXPOSÉE À DES LIQUIDES, NOTAMMENT DE L'EAU SALÉE.** L'exposition à des liquides peut provoquer une corrosion interne ou endommager les cellules ou le système de gestion de la batterie (BMS). Le BMS protège la batterie d'une surcharge, d'une autodécharge importante ou d'une charge déséquilibrée des cellules, qui peuvent toutes présenter un risque d'incendie pendant la recharge.
 - **D'UTILISER OU DE CHARGER UNE BATTERIE QUI A ÉTÉ ENDOMMAGÉE PAR UNE CHUTE OU PAR LE TRANSPORT. L'UTILISATION D'UN CHARGEUR AUTRE QUE CELUI SPÉCIFIQUEMENT DÉSIGNÉ POUR LA BATTERIE EN QUESTION.**

UN INCENDIE EST PLUS SUSCEPTIBLE DE SE PRODUIRE PENDANT LE PROCESSUS DE CHARGE DANS LES CIRCONSTANCES SUIVANTES

- **LA BATTERIE A ÉTÉ ENTIÈREMENT DÉCHARGÉE ET N'EST PAS RECHARGÉE PEU DE TEMPS APRÈS.** Ce risque est aggravé si les batteries sont endommagées, si elles présentent un défaut d'usine non détecté, si elles sont utilisées ou stockées à des températures extrêmes ou si elles approchent de la fin de leur vie utile. Idéalement, la batterie doit être rechargée dans les 24 heures suivant une décharge complète.

FICHE PRODUIT

IMPORTANT: Remplissez la fiche d'information sur le produit ci-dessous, ou pour enregistrer votre produit, visitez notre site Web à l'adresse www.halo-pg.com.

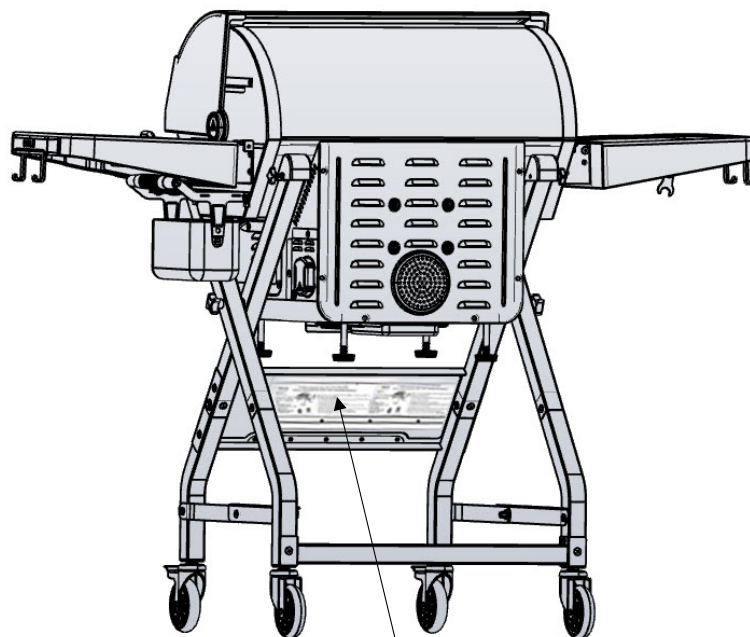
Numéro de modèle : _____

Numéro de série : _____

Date d'achat : _____



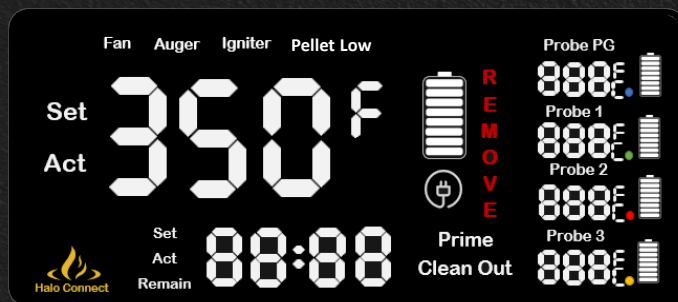
ENREGISTRER



AVIS: Le numéro de modèle et le numéro de série se trouvent à l'arrière du panneau avant.

PRIME550 INSTRUCTIONS D'UTILISATION

APPRENDRE À CONNAÎTRE VOTRE CONTRÔLEUR



BOUTON DE COMMANDE

1. Appuyez une fois sur le bouton de commande pour mettre l'appareil en marche. Le contrôleur clignote plusieurs fois, puis l'écran devient fixe. Cela vous permet de savoir que votre appareil est sous tension.
2. Appuyez à nouveau sur le bouton de commande, ce qui vous amènera à l'écran des fonctions où vous pourrez accéder aux fonctions énumérées précédemment.
3. Tournez le bouton jusqu'à ce que vous voyez la fonction dont vous avez besoin.
4. Après avoir choisi la fonction préférée, appuyez sur le bouton de commande pour la verrouiller.
5. Appuyez sur le bouton de commande et maintenez-le enfoncé pour éteindre l'appareil. Cela déclenchera la minuterie de 10 minutes de récupération. L'appareil s'éteint automatiquement lorsque la minuterie est terminée.
6. La page suivante détaille comment régler chacune des fonctions du contrôleur.



ÉCRAN NUMÉRIQUE À LED

Il s'agit du centre d'information de votre unité. Appuyez une fois sur le bouton de commande pour mettre l'appareil sous tension. L'écran LED affiche les fonctions suivantes.

- Température (°F ou °C)
- Minuterie
- Températures de la sonde à viande (si elle est connectée)
- Niveau de la batterie (si alimenté par la batterie)
- Icône de l'adaptateur secteur (si l'appareil est alimenté par l'adaptateur secteur)
- Prime
- Nettoyage
- Ventilateur, vis sans fin, indicateur d'allumage
- Indicateur de retrait de la pile (le cas échéant)

POWER

Il existe (2) options pour alimenter votre gril à granulés extérieur HALO Prime550 :

1. Avec un adaptateur A/C qui se branche sur une prise extérieure de 120 volts mise à la terre (GFCI).
2. Avec une batterie lithium-ion rechargeable de 12V. Vous pouvez utiliser une seule méthode d'alimentation ou avoir la batterie et l'adaptateur A/C branchés sur l'appareil en même temps.

FONCTIONS DU CONTRÔLEUR

Après avoir allumé l'appareil en appuyant sur le bouton de commande, vous pouvez accéder aux fonctions suivantes :

NETTOYAGE

La fonction de nettoyage est utilisée pour retirer les derniers granulés restants de la trémie à granulés et du tube de la vis sans fin.

FONCTIONNEMENT DE LA FONCTION DE NETTOYAGE

- Appuyez une fois sur le bouton de commande pour mettre l'appareil en marche. Le contrôleur clignote plusieurs fois, puis l'écran devient fixe. Cela vous permet de savoir que votre appareil est sous tension.
- Appuyez à nouveau sur le bouton de commande pour accéder à l'écran des fonctions où vous pouvez accéder aux fonctions de température (F/C), de temps, de température de la sonde à viande, d'amorçage et de nettoyage, ainsi qu'aux indicateurs de niveau de batterie, d'adaptateur A/C, de ventilateur, de vis sans fin, d'allumeur et de retrait de la batterie (le cas échéant).
- *Une fois que vous avez allumé l'appareil en appuyant sur le bouton de commande*, tournez le bouton de commande pour sélectionner la fonction de nettoyage. Appuyez sur le bouton pour verrouiller la fonction de nettoyage.
- La fonction de nettoyage est réglée pour fonctionner pendant 90 minutes. Les granulés restants seront introduits par le pot de combustion dans le seau de 5 gallons situé en dessous. **Remarque** : vous pouvez désactiver la fonction de nettoyage à tout moment. Vous devez remettre le cendrier en place avant de démarrer l'appareil. Le fait de ne pas insérer le plateau à l'arrière peut provoquer un incendie et des blessures corporelles.

IMPORTANT À NOTER :

- L'appareil doit être éteint, l'adaptateur A/C débranché et la batterie retirée avant de nettoyer la trémie manuellement.
- L'unité doit être refroidie avant que la fonction de nettoyage ne soit lancée. N'utilisez pas cette fonction pendant le démarrage ou la cuisson des aliments. Le non-respect de cette consigne peut provoquer un incendie à l'intérieur du pot à feu et endommager votre gril à granulés.
- Placez un récipient suffisamment grand pour contenir les pellets jetés sous l'ouverture du pot à feu de nettoyage des pellets. Tirez le ressort du plateau à cendres, puis faites glisser le plateau vers l'avant pour aligner le nettoyage du plateau à cendres directement sous le pot à feu afin d'enlever toute la cendre. (Remarque : relâchez la goupille du ressort dès que vous commencez à tirer le plateau vers l'avant pour verrouiller le plateau en position de nettoyage des cendres). Tirez une fois de plus sur la goupille à ressort du bac à cendres pour retirer complètement le bac de l'appareil et vider les cendres. Voir la section Nettoyage des granulés du Prime550 pour plus de détails.

PRIME

La fonction Prime vous permet d'introduire des pellets dans le pot de combustion pour démarrer initialement votre appareil ou d'introduire des pellets supplémentaires pendant un fumage pour obtenir plus de fumée.

- Tournez le bouton pour sélectionner la fonction Prime.
- Poussez et maintenez le bouton de commande de la fonction prime pour alimenter des granulés supplémentaires.
- Une fois que vous avez fini d'amorcer les granulés dans le pot de combustion, relâchez le bouton de contrôle et la vis sans fin cessera d'alimenter les granulés.

TEMPÉRATURE

- Appuyez sur le bouton de commande pour verrouiller la fonction Température.
- Tournez le bouton pour sélectionner la température souhaitée.
- En appuyant sur le bouton de commande, l'appareil démarre.

SONDE À VIANDE

Le branchement de la sonde à viande se trouve sur le côté gauche du gril, au-dessus du compartiment des batteries. La température de la sonde à viande s'affiche sur le contrôleur une fois la sonde à viande branchée.

- Appuyez une fois sur le bouton de commande pour mettre l'appareil en marche. Le contrôleur clignote plusieurs fois, puis l'écran devient fixe. Cela vous permet de savoir que votre appareil est sous tension.
- Appuyez à nouveau sur le bouton de commande pour accéder à l'écran des fonctions où vous pouvez accéder aux fonctions de température (F/C), de temps, de température de la sonde à viande, d'amorçage et de nettoyage, ainsi qu'aux indicateurs de niveau des batteries, d'adaptateur secteur, de ventilateur, de vis sans fin, d'allumeur et de retrait des batteries (le cas échéant).
- *Une fois que vous avez allumé l'appareil en appuyant sur le bouton de commande, tournez le bouton pour sélectionner la fonction Sonde à viande.
- Appuyez sur le bouton pour verrouiller la fonction Sonde à viande, puis tournez le bouton de commande jusqu'à la température souhaitée pour votre sonde à viande et appuyez sur le bouton pour la régler.

IMPORTANT À NOTER :

- Débranchez la sonde à viande du réceptacle de la prise et couvrez l'orifice avec le bouchon en silicone lorsque vous ne l'utilisez pas.
- Une sonde à viande est fournie avec l'appareil.
- N'utilisez que des sondes à viande de marque HALO pour éviter d'endommager l'appareil.
- L'appareil passe en mode CHAUD et la température de l'appareil diminue lorsque la sonde à viande atteint la température réglée. Cela empêchera les aliments de continuer à cuire avant qu'ils ne soient retirés de l'appareil.

DEGRÉS F/C

- Tournez le bouton sur la fonction F (Fahrenheit) ou C (Celsius) et appuyez sur le bouton pour verrouiller cette fonction.
- Tournez le bouton de commande sur F ou C et appuyez sur le bouton de commande pour verrouiller votre choix.
- Veillez noter que le réglage par défaut est Fahrenheit.

HEURE

- Tournez le bouton pour sélectionner la fonction Heure.
- Appuyez sur le bouton pour verrouiller la fonction Heure. Vous pouvez définir le nombre d'heures et de minutes pour chronométrer votre fumée.
- Tournez le bouton de commande sur le nombre d'heures souhaité, puis appuyez sur le bouton de commande pour confirmer les heures.
- Tournez le bouton de commande pour régler le nombre de minutes souhaité, puis appuyez sur le bouton de commande pour confirmer les minutes.
- Le compte à rebours se fera jusqu'à zéro après le démarrage de votre appareil.

TÉMOINS LUMINEUX DU CONTRÔLEUR

FAN

L'icône du ventilateur s'allume lorsque le ventilateur fonctionne.

1. Fournit de l'air frais au tuyau d'échappement pour la combustion.
2. Génère une circulation homogène de la chaleur par ventilation forcée, de sorte que vos aliments cuisent uniformément sur tous les côtés.
3. Aide les pellets à brûler plus efficacement.
4. Effectue l'évacuation d'entretien des cendres du pot de combustion pendant les fonctions de cuisson et d'arrêt.

VIS SANS FIN : SYSTÈME D'ALIMENTATION EN GRANULÉS

L'icône de la fonction vis sans fin apparaît au démarrage et s'allume et s'éteint pendant la cuisson pour alimenter périodiquement les granulés.

1. Transporte les granulés de la trémie, à travers le tube de la vis sans fin, jusqu'au pot de combustion à une vitesse contrôlée et programmée pour une combustion efficace.
2. La durée pendant laquelle la vis sans fin alimente les granulés dépend de la température à laquelle vous souhaitez griller ou fumer.

NIVEAU DE GRANULÉS BAS

Un capteur infrarouge situé à l'intérieur de la trémie détecte lorsque le niveau de pellets est bas, et l'icône Pellet Low apparaît. Nous vous recommandons d'ajouter des granulés dans la trémie afin de ne pas interrompre votre cuisson.

POWER SOURCE



BATTERIE

Une fois la batterie insérée dans l'appareil, une icône de batterie apparaît sur le contrôleur pour vous indiquer que le gril est alimenté par la batterie.

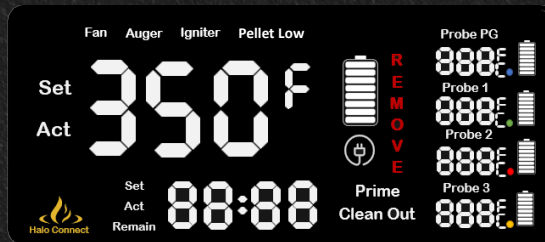


CONNEXION A/C

Une icône de prise A/C apparaîtra sur le contrôleur lorsque l'adaptateur A/C est branché sur votre unité pour vous indiquer que l'unité est alimentée en A/C.

IMPORTANT À NOTER :

- Les deux icônes apparaîtront sur le contrôleur lorsque les deux seront branchés sur votre gril. Votre gril est alimenté, mais pas allumé pour le moment.
- La batterie se charge dans l'appareil lorsque l'adaptateur A/C est branché. Le temps moyen de charge d'une batterie est de 5 à 6 heures. L'autre moyen de charger la batterie est de la retirer de l'appareil et de la charger avec une station de charge Halo. Le socle de chargement peut être acheté sur www.halo-pg.com.



AMORCEUR ÉLECTRONIQUE

L'icône de la fonction d'allumage apparaît pendant le démarrage et s'allume et s'éteint pendant la cuisson pour maintenir la température.

1. C'est un type de système d'allumage qui fonctionne avec des circuits électroniques, généralement par transistors. Les transistors sont contrôlés par des capteurs pour générer des impulsions électriques qui génèrent ensuite une étincelle à haute tension capable de brûler le mélange pauvre et de fournir une meilleure économie et des émissions plus faibles.
2. L'allumeur se remet en marche lorsque la température descend de 20 degrés en dessous de la température de consigne.

ALERTE BATTERIE

1. Si le contrôleur affiche l'icône « REMOVE » en rouge, la batterie doit être retirée rapidement de l'appareil pour éviter de l'endommager.
2. Cela indique que la température de la batterie est trop élevée. Laissez le gril refroidir à la température ambiante, réinsérez la batterie et redémarrez l'appareil.
3. Si cela persiste, veuillez appeler le service consommateurs au 1-833-572-1688.

COMBUSTION INITIALE DU GRIL À GRANULÉS

Il s'agit de la procédure initiale de démarrage lorsque vous utilisez votre gril à granulés pour la première fois.

1. Branchez le cordon d'alimentation de l'adaptateur secteur sur une prise de courant avec mise à la terre (GFCI) ou insérez la pile au lithium de 12 volts Halo (vendue séparément).
2. Retirez la plaque de graisse pour voir les pellets qui entrent dans le pot de combustion lors de l'amorçage de l'appareil. Vérifiez le pot de combustion pour vous assurer qu'il n'y a pas d'obstruction pour un allumage correct. Ouvrez le couvercle de la trémie. Vérifiez qu'il n'y a pas de corps étrangers dans la trémie ou à l'entrée du système d'alimentation par vis sans fin au fond de la trémie. Remplissez la trémie de granulés de bois dur secs et naturels pour barbecue.
3. Appuyez une fois sur le bouton de commande pour allumer l'appareil, l'écran clignote puis devient fixe. Appuyez une seconde fois sur le bouton de commande pour accéder à l'écran des fonctions et tournez le bouton de commande vers la fonction Prime. Appuyez sur le bouton de commande et maintenez-le enfoncé pour commencer à distribuer des granulés. Maintenez le bouton enfoncé jusqu'à ce que vous voyiez ou entendiez les granulés tomber dans le pot de combustion, puis relâchez le bouton de commande.

! IMPORTANT

- Assurez-vous qu'il y a des pastilles recouvrant l'électrode.
- Remplacez la plaque de graissage et la grille de cuisson dans l'appareil.
- Assurez-vous que le registre de cuisson est fermé.

4. Poussez le bouton de commande et tournez-le jusqu'à la fonction Température. Appuyez sur le bouton de commande. Tournez à nouveau le bouton de commande pour régler la température à 177 °C (350 °F), appuyez sur le bouton de commande pour verrouiller cette température

et mettre le gril en marche. Laissez l'appareil préchauffer pendant environ 30 à 45 minutes. Il sert à brûler les huiles résiduelles qui pourraient se trouver à l'intérieur du gril. Le couvercle doit être fermé pendant le cycle de combustion.

! IMPORTANT

Écoutez un grondement provenant du pot de combustion, et remarquez la chaleur et la fumée qui se dégagent. Cela vous permet de savoir que l'appareil fonctionne correctement.

5. La température souhaitée pour fumer, cuire ou saisir peut être réglée une fois la période de combustion terminée.
6. Arrêtez l'appareil et laissez-le refroidir à la température ambiante. Il peut s'écouler un certain temps avant que l'appareil ne passe à un réglage de température inférieur.

! IMPORTANT

La vis sans fin continuera à tourner et à alimenter en granulés si vous sélectionnez un réglage de température plus bas après la combustion. Cela augmentera momentanément la température, mais celle-ci finira par diminuer et se stabiliser à la température de consigne souhaitée. N'oubliez pas que vous essayez de réguler la chaleur et qu'il faut donc du temps pour atteindre la température de consigne souhaitée.

DÉMARRAGE DU GRIL À GRANULÉS

Il s'agit de la procédure de démarrage standard pour utiliser votre gril à granulés à tout moment après la combustion initiale.

1. Branchez le cordon d'alimentation de l'adaptateur A/C sur une prise de courant avec mise à la terre (GFCI) ou insérez la pile au lithium Halo 12 volts (vendue séparément).
2. Appuyez une fois sur le bouton de commande pour allumer l'appareil, l'écran clignote puis devient un écran fixe. Appuyez une seconde fois sur le bouton de commande pour accéder à l'écran des fonctions. Tournez le bouton de commande sur la fonction Température. Appuyez



une fois de plus sur le bouton de commande pour confirmer le réglage de la température, puis tournez le bouton de commande pour obtenir la température de fumée, de cuisson ou de saisie souhaitée. Appuyez une fois de plus sur le bouton de commande pour régler la température et mettre l'appareil en marche.

! IMPORTANT

Vérifiez que le registre de brûlage est fermé.

3. L'allumeur s'allume pendant quelques secondes pour confirmer que l'allumage fonctionne correctement et l'icône de l'allumeur s'affiche en haut de l'écran du contrôleur. L'unité alimentera le pot de combustion en granulés et l'allumeur se rallumera pour démarrer votre unité.
4. L'appareil est allumé lorsque la température du régulateur augmente et que de la fumée s'échappe de l'arrière de l'appareil.

! IMPORTANT

- 20 à 30 minutes peuvent être nécessaires que la température se stabilise, selon le type ou la marque de granulés que vous utilisez. Si vous avez des problèmes d'allumage, vous devrez peut-être ouvrir le volet de saisie pendant la procédure de démarrage pour assurer un allumage correct. Cela peut également dépendre du type ou de la marque de granulés que vous utilisez.
- Ce gril à granulés est doté d'un registre de saisie. Il est recommandé, lorsque vous fumez des aliments, de fermer le volet de saisie afin d'obtenir des températures constantes sur toute la surface de cuisson.
- La fonction de saisie est utilisée pour saisir rapidement un morceau de nourriture sur une flamme ouverte. Cette opération est généralement effectuée à des températures plus élevées (350°F - 500°F) une fois la fumée terminée.
- Le volet de saisie est en position fermée lorsque la poignée du volet de saisie est poussée vers le corps du gril à granulés et en position ouverte lorsque la poignée est sortie du corps du gril à granulés.
- La capacité de la trémie est d'environ 14 livres de granulés. Elle dure généralement entre 10 et 20 heures, selon le réglage de la température. Vérifiez que votre trémie est pleine avant de commencer votre fumage ou votre cuisson. Ainsi, vous n'aurez pas à remplir la trémie pendant que vous fumez.

ARRÊT DU GRIL À GRANULÉS



1. Une fois la cuisson terminée, tournez le cadran de température sur 350°F/176°C avec le couvercle fermé. Laissez votre gril à granulés de bois fonctionner pendant 10 à 20 minutes afin de procéder à son nettoyage normal. Si vous avez préparé des aliments très gras, laissez le gril à granulés brûler pendant 10 à 20 minutes supplémentaires. Cela réduira les risques de provoquer un feu de graisse lors du prochain démarrage.
2. Pour éteindre votre appareil, poussez et maintenez le bouton de commande jusqu'à ce que le ventilateur augmente de vitesse et que l'écran du contrôleur affiche un compte à rebours de 10 minutes. L'appareil va maintenant commencer son cycle automatique de refroidissement. Le système de vis sans fin cessera d'alimenter les granulés, la flamme s'éteindra et le ventilateur continuera de fonctionner jusqu'à ce que le cycle de refroidissement soit terminé. Le mode d'arrêt dure 10 minutes.
3. Une fois le cycle de refroidissement terminé, si l'appareil est alimenté par un adaptateur CA, débranchez-le de la prise électrique. Si vous utilisez une alimentation par batterie, vous pouvez retirer la batterie de son logement en la poussant vers l'intérieur - elle reviendra en arrière pour se déconnecter du contrôleur.
4. Remplacez la batterie par le faux étui à batterie fourni avec l'appareil pour vous assurer qu'elle reste protégée des facteurs environnementaux tels que l'humidité, l'eau et la saleté. Vous pouvez également charger la batterie en la laissant dans le boîtier avec une prise de courant. La batterie se reconstitue dans les 5 à 6 heures.

PROCÉDURE DE DÉFAUT DE L'ALLUMAGE

Si, pour une raison quelconque, votre allumeur échoue, vérifiez les étapes suivantes, ou démarrez votre gril en utilisant la méthode manuelle.

1. Ouvrez le couvercle. Retirez la grille de cuisson et la plaque de graissage. Retirez tous les granulés non brûlés et les cendres du pot de combustion. Évitez de toucher l'électrode pour ne pas vous blesser, car elle peut être extrêmement chaude.
2. Appuyez une fois sur le bouton de commande pour allumer le gril. Le contrôleur clignote plusieurs fois, puis l'écran devient fixe. Cela vous permet de savoir que votre gril est sous tension.
3. Appuyez à nouveau sur le bouton de commande, ce qui vous amènera à l'écran des fonctions où vous pourrez accéder à toutes les fonctions.
4. Appuyez sur le bouton de commande pour verrouiller la fonction Température, puis tournez le bouton pour sélectionner la température que vous souhaitez.
5. Appuyez sur le bouton de commande pour démarrer l'appareil.

Vérifiez les points suivants :

- Vérifiez visuellement que l'électrode produit des étincelles en permanence.
- Vérifiez visuellement que la vis sans fin fait tomber les granulés dans le pot de combustion.
- Vérifiez que le ventilateur de combustion fonctionne (écoutez un grondement de torche).
- L'appareil devrait démarrer correctement si tous ces éléments fonctionnent correctement.
- Réinstallez la plaque de graissage, la grille de réchauffement et la grille de cuisson si l'appareil fonctionne.

6. Si l'un des points ci-dessus ne fonctionne pas, suivez les instructions de dépannage.

AVERTISSEMENT

Veillez à nettoyer les cendres du pot de combustion après chaque utilisation pour assurer le bon fonctionnement de votre gril à granulés.

DÉMARRAGE MANUEL

Utilisez cette procédure de démarrage manuel si vous avez déjà tenté un démarrage normal et que vous ne parvenez pas à allumer vos pellets.

1. Si votre appareil est déjà allumé et que vous avez réglé la température, mais que l'appareil ne s'est pas allumé, veuillez passer à l'étape 3. Si votre appareil est éteint, veuillez passer à l'étape 2.
2. Branchez le cordon d'alimentation de l'adaptateur A/C sur une source d'alimentation mise à la terre (GFCI) ou sur une batterie lithium-ion rechargeable de 12 V de Halo. Reportez-vous à la section « Démarrage du gril à granulés » pour allumer votre appareil et sélectionner un réglage de température.
3. Retirez la grille de cuisson et la plaque de graissage pour vérifier visuellement le pot de combustion et vous assurer qu'il n'y a pas d'obstruction pour une bonne étincelle.
4. Ouvrez le couvercle de la trémie. Assurez-vous qu'il n'y a pas de corps étrangers dans la trémie ou le système d'alimentation par vis sans fin. Remplissez la trémie de granulés de barbecue secs et naturels en bois dur si elle n'est pas déjà pleine.
5. S'il n'y a pas de pellets dans le pot de combustion, placez une poignée de pellets dans le pot de combustion ou appuyez sur le bouton PRIME pour alimenter les pellets dans le pot de combustion. S'il y a déjà des granulés dans le pot de combustion, passez à l'étape 6.

Vérifiez les points suivants :

Vérifiez que vous avez assez de pellets dans le pot de combustion pour couvrir l'électrode.

DANGER

N'utilisez pas d'alcool, d'essence, de gazoline, d'essence à briquet ou de kérosène pour allumer un feu dans votre gril à granulés.

- Allumez les pellets à l'intérieur du pot de combustion à l'aide d'une torche à butane. Laissez les boulettes brûler pendant 1 à 2 minutes. N'essayez pas d'ajouter d'autres granulés dans le pot de combustion. Cela pourrait provoquer un incendie incontrôlé.
- Placez soigneusement la plaque de graissage, la grille de cuisson et installez la poignée de la tringlerie du volet de saisie. Le couvercle et le volet de saisie doivent rester fermés pendant le cycle de démarrage.
- Votre appareil devrait maintenant fonctionner correctement.

IMPORTANT

Veillez à nettoyer les cendres du pot de combustion après chaque utilisation pour assurer le bon fonctionnement de votre gril à granulés.

MINUTERIE

Votre gril à granulés HALO est équipé d'une minuterie pratique. La fonction de minuterie n'a pas d'incidence sur le fonctionnement du gril. Vous pouvez régler la minuterie pour qu'elle vous avertisse d'autres étapes choisies pendant la cuisson, comme le chargement des aliments dans le gril ou le badigeonnage de votre viande.

Pour démarrer la minuterie

- Appuyez une fois sur le bouton de commande pour mettre l'appareil en marche. Le contrôleur clignote plusieurs fois, puis l'écran devient fixe. Cela vous permet de savoir que votre gril est sous tension.
- Appuyez une fois de plus, cela vous amènera à l'écran des fonctions où vous pouvez accéder à toutes les fonctions. Tournez le bouton de commande pour sélectionner la fonction Heure.
- Tournez le bouton de commande sur le nombre d'heures souhaité et appuyez sur le bouton de commande pour confirmer les heures. Puis tournez à nouveau pour régler le nombre de minutes souhaité et appuyez sur le bouton de commande pour confirmer les minutes.
- Le compte à rebours s'arrête à zéro lorsque l'appareil est mis en marche.

Pour régler la minuterie

Vous pouvez modifier le réglage de votre minuterie en répétant les étapes 1 à 4 ci-dessus.

FONCTIONNEMENT SUR BATTERIE*

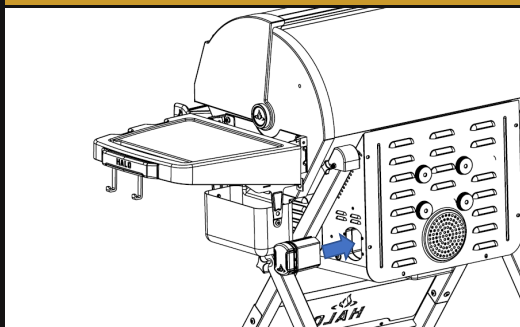
1. Poussez le boîtier de la batterie vers l'intérieur pour permettre au faux boîtier de la batterie de se désengager du boîtier. Retirez le faux étui à batteries fourni avec l'appareil et mettez-le de côté, puis insérez la pile. Poussez la pile pour permettre au piston à ressort de la verrouiller en place.
2. Une fois la batterie insérée dans l'appareil, un icône de batterie s'affiche sur le contrôleur pour vous indiquer que le gril est alimenté par la batterie et vous indiquer la durée de vie restante de la batterie.

* Batterie vendue séparément.

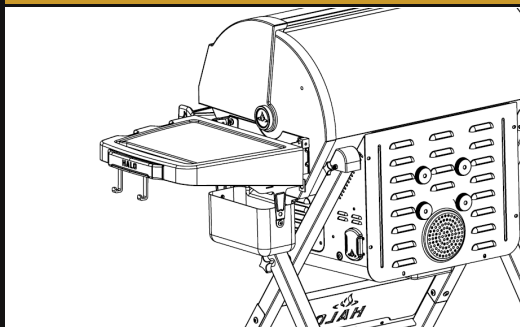
! IMPORTANT

- Un aimant se trouve à l'extrémité du piston à ressort qui maintient la batterie en place lorsqu'elle est insérée et désengagée.
- La batterie se charge dans l'appareil lorsque l'adaptateur A/C est branché. Le temps moyen de charge d'une batterie est de 5 à 6 heures. L'autre moyen de charger la batterie est de la retirer de l'appareil et de la charger avec une station de charge Halo. La station de charge et le pack de batteries peuvent être achetés sur www.halo-pg.com.

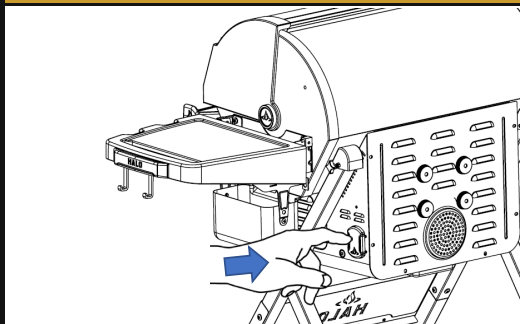
Insérer la batterie



Batterie engagée



Batterie désengagée



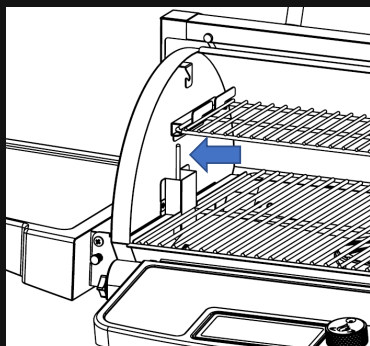
SONDE DE TEMPÉRATURE

QU'EST-CE QU'UNE SONDE À THERMISTANCE ?

Le HALO Prime550 est équipé d'une sonde RTD (Détecteur de température par résistance) à l'intérieur du gril. La sonde est généralement située sur le côté gauche de la chambre de cuisson, où la trémie est protégée par un support en « C ».

SONDE DE TEMPÉRATURE RTD

À l'intérieur de la chambre de fumage, à gauche, se trouve la sonde de température RTD. C'est une petite pièce verticale en acier inoxydable. La sonde de température mesure la température



interne de l'appareil. Lorsque la température est réglée sur le tableau de commande, la sonde thermique lit la température réelle à l'intérieur de l'unité et s'ajuste à la température souhaitée.

! IMPORTANT

La température de votre appareil est fortement influencée par le climat extérieur, la qualité des granulés utilisés, le goût des granulés et la quantité d'aliments à cuire.

SONDE À VIANDE

La sonde à viande mesure la température interne de votre viande dans la chambre de fumage. Branchez l'adaptateur de la sonde à viande



sur le port de connexion de la sonde à viande et insérez la sonde à viande en acier inoxydable dans la partie la plus épaisse de votre viande. La température s'affiche sur le tableau de commande. Pour vous assurer que la sonde à viande est correctement connectée au port de connexion, sentez et entendez-la s'enclencher.

! IMPORTANT

- Lorsque vous placez la sonde à viande dans votre viande, vérifiez que la sonde à viande et les fils de la sonde à viande n'entrent pas en contact direct avec une flamme ou une chaleur excessive. Cela peut endommager votre sonde à viande. Faites sortir l'excédent de fil le long du bord du couvercle avant. Lorsqu'elle n'est pas utilisée, débranchez-la du port de connexion de la sonde à viande et mettez-la de côté pour la garder propre et protégée.
- Veillez à mettre le capuchon de protection en place pour éviter toute accumulation d'humidité à l'intérieur du réceptacle de la prise.

PREMIÈRE UTILISATION - COMBUSTION DU GRIL À GRANULÉS

Avant d'utiliser votre gril à granulés pour la première fois avec de la nourriture, il est important d'effectuer une combustion. Placez le gril à granulés en marche et faites-le fonctionner à la température la plus élevée (176-191 °C) avec le couvercle fermé pendant 30 à 45 minutes pour brûler et éliminer les impuretés.

ENTRETIEN DE VOTRE PRIME550

Une étape importante consiste à laisser la chambre de fumée et la grille de cuisson s'auto-nettoyer en faisant fonctionner le gril à granulés à une température élevée pendant 10 à 20 minutes après chaque utilisation. Suivez ces conseils de nettoyage et de maintenance pour entretenir votre gril à granulés :

AVERTISSEMENT

Veillez à nettoyer les cendres du pot de combustion après chaque utilisation pour assurer le bon fonctionnement de votre gril à granulés. Si vous ne nettoyez pas les cendres après chaque utilisation, vous risquez d'avoir des difficultés à allumer les granulés ou de provoquer une accumulation de granulés devant le tube de la vis sans fin, ce qui pourrait provoquer un retour de flamme à l'intérieur du tube de la vis sans fin.

01. NETTOYAGE DES SURFACES INTÉRIEURES

AVERTISSEMENT

Appuyez sur la molette du contrôleur pendant 2 secondes pour éteindre l'appareil et débrancher le cordon d'alimentation de l'adaptateur A/C ou détacher la batterie.

ATTENTION

La graisse accumulée est plus facile à nettoyer lorsque le gril est encore tiède mais pas chaud. Faites attention à ne pas vous brûler. Les gants sont recommandés.

- Nettoyez périodiquement la graisse de la plaque de graissage et du drain de graisse. Si vous laissez une trop grande quantité de graisse s'accumuler dans le bac de récupération des graisses ou si vous laissez l'évacuation des graisses se boucher, vous risquez de provoquer un feu de graisse. Nous vous recommandons vivement de nettoyer ces endroits régulièrement.
- Retirez la grille du gril revêtue de porcelaine et le godet à graisse. Grattez l'accumulation de graisse à l'intérieur du bac de récupération des graisses à l'aide d'un grattoir ou d'un outil non métallique. La plaque de graisse peut être lavée

dans de l'eau chaude et savonneuse. Essayez les résidus de graisse restants avec des serviettes en papier ou des chiffons jetables. Des serviettes en papier ou des chiffons jetables peuvent également être utilisés pour essuyer une partie de la graisse sur les surfaces intérieures du gril.

02. NETTOYAGE DU CAPTEUR RTD ET DE LA SONDE VIANDE

- Les plis et les torsions du fil de la sonde peuvent provoquer des dommages. Une sonde à viande qui n'est pas utilisée doit être enroulée en une grande bobine lâche.
- Même si la sonde est fabriquée en acier inoxydable, utilisez un gant de toilette humide avec un détergent doux pour la nettoyer. Ne le mettez pas dans le lave-vaisselle et ne l'immergez pas dans l'eau. Les dommages causés par l'eau aux fils internes peuvent provoquer un court-circuit de la sonde et entraîner de fausses lectures. Si une sonde est endommagée, elle doit être remplacée.

03. NETTOYAGE DE LA GRILLE DE CUISSON

ATTENTION

Faites attention à ne pas vous brûler. Le nettoyage de la grille du gril est plus efficace lorsqu'elle est encore chaude. Une brosse de nettoyage à long manche est recommandée.

- Après avoir retiré vos aliments, donnez un coup de brosse rapide à la grille du gril. Il suffit d'une minute pour le préparer pour la prochaine fois que vous voudrez griller.
- Une autre option consiste à utiliser de l'eau chaude et un détergent doux pour nettoyer la grille de cuisson.

04. NETTOYAGE DES SURFACES EXTÉRIEURES

⚠ AVERTISSEMENT

- Appuyez sur la molette du contrôleur pendant 2 secondes pour éteindre l'appareil et débrancher le cordon d'alimentation de l'adaptateur secteur. Vérifiez que le gril à granulés est FROID avant de nettoyer les surfaces extérieures.
- Utilisez un chiffon jetable imbibé d'eau chaude savonneuse pour essuyer la graisse de l'extérieur du gril.
- N'utilisez PAS de nettoyant pour four, de nettoyant abrasif ou de tampon de nettoyage abrasif sur les surfaces extérieures du gril.

05. NETTOYER LES CENDRES À L'INTÉRIEUR DE LA CHAMBRE DE COMBUSTION ET AUTOUR DU POT À FEU

⚠ AVERTISSEMENT

Vérifiez que le gril à granulés est FROID avant de nettoyer les cendres.

⚠ AVERTISSEMENT

- L'élimination des cendres doit se faire uniquement selon les instructions suivantes. Un excès de cendres dans le foyer peut provoquer l'extinction de votre feu. Le foyer doit être inspecté après chaque utilisation et nettoyé pour enlever l'accumulation de cendres. **REMARQUE :** Le nettoyage des cendres à l'intérieur et autour du foyer ne doit être effectué que lorsque le gril à granulés est froid.
- Retirez les grilles du gril, le plateau d'égouttement des graisses et l'écran thermique pour accéder au foyer et à l'intérieur du gril. La plupart des cendres situées à l'extérieur du foyer peuvent être retirées du gril à l'aide d'une petite pelle de cheminée en métal ou d'un autre outil similaire.

⚠ AVERTISSEMENT

- L'aspirateur est le meilleur moyen de retirer les cendres du pot de combustion, mais il faudra le faire avec beaucoup de précautions pour éviter tout risque d'incendie.
- Il est recommandé d'utiliser un aspirateur sans sac, de type utilitaire, avec un réservoir de collecte en métal. Cependant, presque tous les aspirateurs fonctionneront en toute sécurité si cette procédure est correctement suivie.

- Si votre aspirateur est un modèle sans sac, videz les débris précédemment accumulés dans le compartiment de collecte. Aspirez ensuite les cendres de l'intérieur du pot de combustion. Une fois le pot de combustion propre, videz sans tarder la chambre de collecte dans le récipient métallique décrit ci-dessous. Vérifiez qu'il ne reste aucun résidu de cendres dans la chambre de collecte.
- Si votre aspirateur est un modèle qui utilise un sac jetable, installez un sac non utilisé dans la machine. Aspirez ensuite les cendres de l'intérieur du pot de combustion. Une fois le pot de combustion propre, retirez le sac de l'aspirateur et placez-le sans tarder dans le récipient métallique décrit ci-dessous.

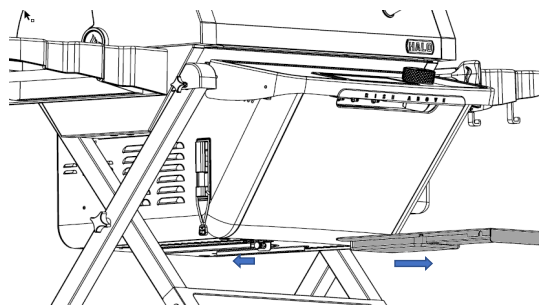
⚠ AVERTISSEMENT

Veillez à nettoyer les cendres du pot de combustion après chaque utilisation pour assurer le bon fonctionnement de votre gril à granulés. Si vous ne nettoyez pas les cendres du pot à combustion après chaque utilisation, les granulés risquent de ne pas s'allumer ou de s'accumuler devant le tube de la vis sans fin, ce qui pourrait causer un retour de flamme à l'intérieur du tube de la vis sans fin.

06. ÉLIMINATION DES CENDRES

⚠ AVERTISSEMENT

Les cendres doivent être placées dans un récipient métallique avec un couvercle hermétique. Le récipient fermé contenant les cendres doit être placé sur un sol non combustible ou sur le sol, à l'écart de tous les matériaux combustibles, en attendant l'élimination finale. Lorsque les cendres sont éliminées par enfouissement dans le sol ou autrement dispersées localement, elles doivent être conservées dans le récipient fermé jusqu'à ce que toutes les cendres aient bien refroidi.

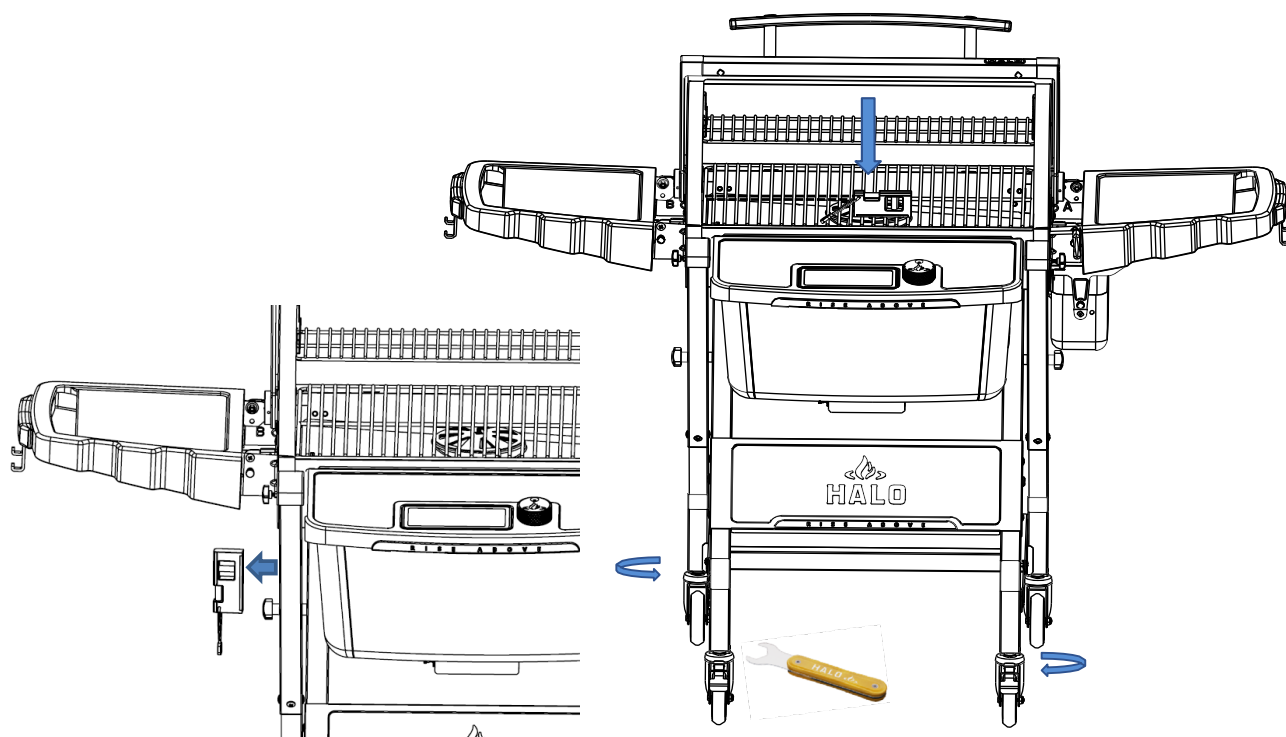


Retirez le plateau à cendres pour vous en débarrasser - Tirez sur la goupille à ressort située sur le côté gauche de l'appareil, puis tirez le plateau vers l'extérieur pour vider les cendres.

MISE À NIVEAU DE VOTRE PRIME550

Nous avons facilité la mise à niveau de votre surface de cuisson. Utilisez le niveleur fourni (situé à l'avant gauche de la grille) et la clé à roulette M12 pour régler les pieds (roulettes) du gril à granulés avant la cuisson.

REMARQUE : Avant d'utiliser l'appareil, mettez-le à niveau lorsqu'il est froid.

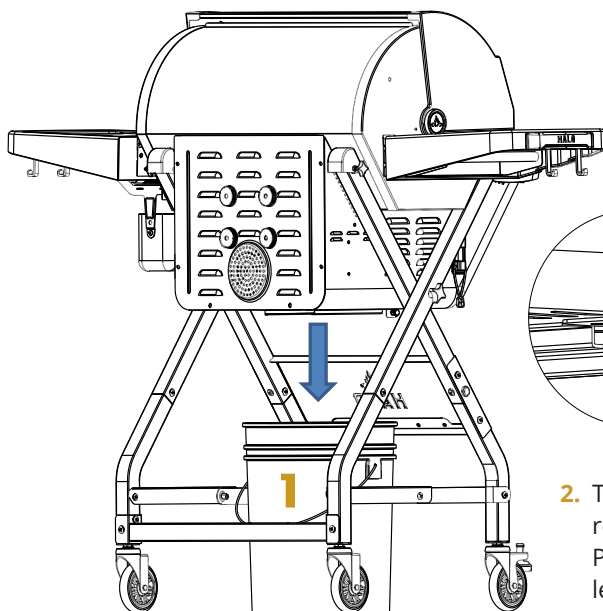


Tournez dans le sens des aiguilles d'une montre pour réduire la hauteur.

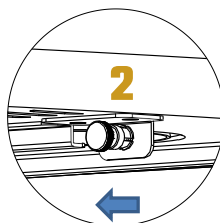
Tournez dans le sens inverse des aiguilles d'une montre pour augmenter la hauteur.

NETTOYAGE DU PRIME550 À GRANULÉS

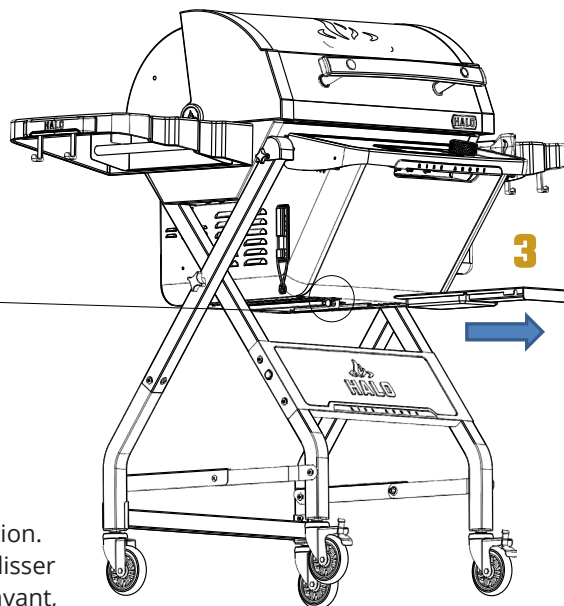
Nettoyez les cendres de votre gril à granulés en suivant les étapes suivantes :



1. Placez un récipient suffisamment grand pour contenir les granulés jetés sous l'ouverture du pot à feu.



2. Tirez sur l'axe du ressort de libération. Puis, en faisant glisser le plateau vers l'avant, retirez les cendres du pot à feu.



3. Tirez une fois de plus sur la goupille à ressort pour retirer complètement le plateau du gril. Suivez ensuite les étapes de la fonction de nettoyage de l'exploitation à la page 85.

CONSEILS ET TECHNIQUES

SÉCURITÉ ALIMENTAIRE

Directives de base pour la préparation des aliments

- Lavez-vous toujours les mains à l'eau chaude et au savon pendant 20 secondes avant et après avoir manipulé des aliments. Ne réalisez pas de contamination croisée.
- Conservez la viande, la volaille et le poisson crus, ainsi que leur jus, à l'écart des autres aliments. Après avoir découpé des viandes crues, lavez la planche à découper, les ustensiles et le plan de travail à l'eau chaude savonneuse.

Servir et conserver les aliments

- Les aliments chauds doivent être maintenus à 60°C (140°F) ou plus. Les aliments froids doivent être conservés à 5°C (40°F) ou moins. Ne décongelez jamais les aliments à température ambiante. Quatre méthodes peuvent être utilisées pour décongeler les aliments en toute sécurité :

RÉFRIGÉRATEUR	MICRO-ONDES	EAU COURANTE	CUISSON
Décongelez au réfrigérateur ou dans une glacière à 5°C (40°F) ou moins.	Les aliments doivent être entièrement cuits immédiatement après leur décongélation dans le micro-ondes.	Submergez les aliments sous l'eau courante à 21°C (70°F) ou moins dans un évier propre et aseptisé.	Décongelez les aliments dans le cadre du processus de cuisson.

Directives de cuisson

- Les aliments doivent être cuits à leur température interne minimale recommandée. Une fois cette température atteinte, l'aliment doit être maintenu à cette température pendant une durée déterminée. Utilisez un thermomètre avec une sonde pour vous assurer que les aliments ont atteint la bonne température.
- Les aliments cuits ne doivent pas être laissés sur le feu pendant plus d'une heure. Ne laissez pas les aliments chauds hors du réfrigérateur pendant plus de deux heures.
- Décongelez et marinez les viandes par réfrigération. Ne décongelez pas la viande à température ambiante ou sur un plan de travail. Les bactéries peuvent se développer et se multiplier rapidement dans les aliments chauds et humides. Lavez-vous soigneusement les mains à l'eau chaude et savonneuse avant de commencer à préparer un repas et après avoir manipulé de la viande, du poisson et de la volaille frais.

TYPE D'ALIMENTS	TEMPÉRATURE/TEMPS
<ul style="list-style-type: none"> • Volaille (poulet entier ou haché, dinde) • Farce à base de poisson, de viande ou de volaille • Viande, fruits de mer, volaille ou pâtes farcies 	165°F (74,3°C) pendant 15 secondes
<ul style="list-style-type: none"> • Bœuf haché, porc et fruits de mer • Viande injectée telle que les jambons saumurés • Viande attendrie mécaniquement 	155°F (68,3°C) pendant 15 secondes
<ul style="list-style-type: none"> • Fruits de mer • Steaks/côtes de porc, de bœuf, de veau et d'agneau 	145°F (62,7°C) pendant 15 secondes
<ul style="list-style-type: none"> • Rôtis de porc, de bœuf, de veau et d'agneau 	145°F (62,7°C) pendant 4 minutes

Cuisez les aliments de manière adéquate

- Lorsque les aliments ne sont pas cuits de manière homogène, ils ont tendance à conserver certains micro-organismes, qui peuvent déclencher de graves problèmes de santé lorsqu'ils sont ingérés. Mais si vous faites cuire vos aliments de manière adéquate, la chaleur produite au cours de ce processus contribuera à tuer la plupart des micro-organismes nocifs, vous protégeant ainsi contre les maladies graves.

Préparation de la cuisson

- Pour passer d'une température élevée à une température basse, ouvrez le couvercle et laissez-le ouvert jusqu'à ce que la température réelle soit proche de la température souhaitée. Cela accélère le processus et garantit que le feu ne s'éteindra pas. Vous devrez préparer la recette de cuisine, le combustible, les accessoires, les ustensiles et tous les ingrédients dont vous avez besoin à vos côtés avant de commencer à cuisiner. Lisez également toute la recette, du début à la fin, avant d'allumer le gril à granules.

REMARQUE: en raison des accidents liés à la manipulation des aliments et des éclaboussures de cuisson, un tapis de barbecue peut protéger une terrasse, un patio ou une plate-forme en pierre contre les taches de graisse ou les déversements accidentels.

Conseils et techniques pour fumer

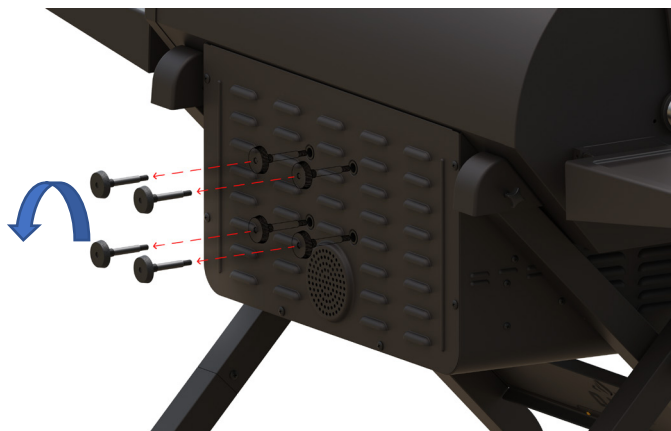
- Pour faire pénétrer davantage de saveur fumée dans vos viandes, faites-les cuire plus longtemps et à des températures plus basses. Préparez la viande à une température basse entre 180–225°F (82–107°C) pendant une période prolongée. À cette basse température, la viande rouge prend deux heures par livre, tandis que la viande blanche prend 40 minutes par livre, ce qui est considérablement plus long que la cuisson à haute température.
- Utilisez toujours un thermomètre à viande pour déterminer la température interne des aliments que vous cuisinez. Fumer des aliments avec des granules de bois dur rendra les viandes et les volailles roses. La bande de couleur rose (après la cuisson) est appelée anneau de fumée.
- Les sauces à base de sucre sont à appliquer de préférence vers la fin de la cuisson pour éviter les brûlures et les flambées.
- Laissez un espace libre entre les aliments et les extrémités de la chambre de cuisson pour une bonne circulation de la chaleur. La nourriture sur un gril à granules emballé nécessitera plus de temps de cuisson.
- Utilisez une paire de pinces à long manche pour retourner les viandes, et une spatule pour les aliments plus mous comme le poisson et le fromage. En utilisant un ustensile perçant, comme une fourchette, vous piquerez la viande et permettrez aux jus de s'échapper.
- Ne vous inquiétez pas si la nuit tombe ! La viande doit avoir une croûte acajou foncé, presque noire. C'est ce qu'on appelle "l'écorce", qui est le résultat de la graisse, des épices et de la fumée développant une croûte caramélisée sur la viande. Avant de retirer la viande du gril, assurez-vous qu'elle a une belle couche d'écorce.
- Ouvrez le couvercle avec parcimonie. Chaque fois que vous ouvrez le gril, vous perdez de la chaleur et de la fumée, deux éléments importants pour obtenir un bon goût fumé. N'ouvrez le couvercle que lorsque vous devez vraiment vous occuper du feu ou des aliments. Détendez-vous, prenez une boisson et gardez le couvercle sur vous !



TRANSFORMATION DE VOTRE GRIL À GRANULÉS

COMMENT CONVERTIR VOTRE GRIL À GRANULÉS DE BOIS D'UN MODÈLE PORTABLE À UN MODÈLE DE TABLE ?

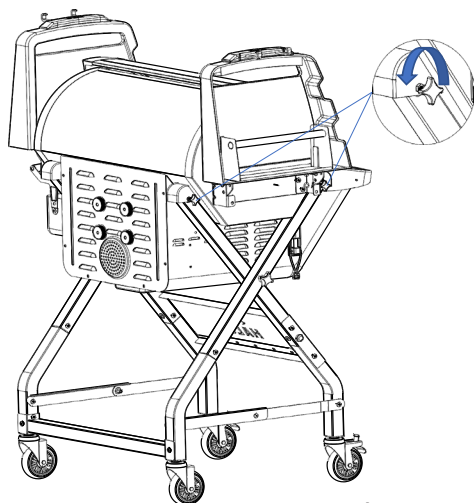
- 1 Retirez les pieds du panneau arrière.



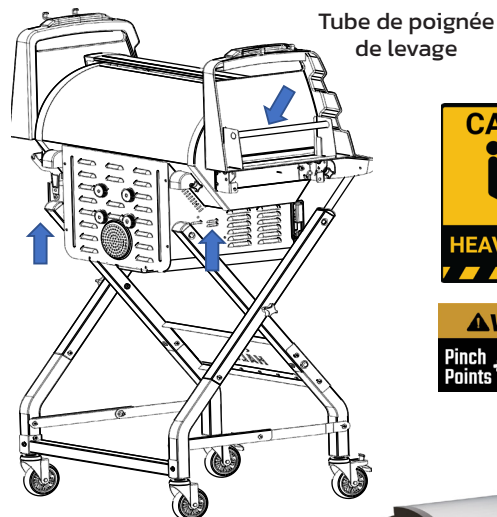
- 2 Installez les pieds au bas du grill en les tournant dans le sens inverse des aiguilles d'une montre.

3 Desserrez les (4) boutons 1/4"-20 avec l'arbre fileté, puis tirez sur les goupilles à ressort pour soulever les tables latérales.

Avec l'aide d'amis, utilisez les tubes de la poignée de levage sous les tables latérales pour soulever l'ensemble de la chambre du chariot.



Roulettes avant verrouillées



4 Placez l'ensemble de la chambre de cuisson sur un banc ou une table avec l'aide d'un ami.



DÉPANNAGE

Un nettoyage et un entretien appropriés, ainsi que l'utilisation d'un carburant propre, sec et de qualité, permettront d'éviter les problèmes de fonctionnement courants. Les conseils de dépannage suivants peuvent être utiles lorsque votre gril à granulés d'extérieur **HALO Prime550** ne fonctionne pas comme il le devrait.

MESSAGE D'ERREUR SUR L'ÉCRAN DU CONTRÔLEUR

Un message d'erreur peut s'afficher sur votre panneau de contrôle. Veuillez consulter le tableau suivant pour connaître les problèmes potentiels et la façon de les résoudre :

CODE:	ERREUR:	SOLUTION:
ERL	Basse température : La température ne peut pas augmenter de 20°F pendant plus de 14 minutes après le démarrage	Retirez les granulés du pot de combustion et assurez-vous que la trémie est pleine de granulés.
	La température descend en dessous de la température de consigne et se rallume pendant plus de 20 min	Placez le contrôleur hors tension puis de nouveau sous tension et redémarrez le gril.
ERF	Dysfonctionnement du ventilateur de soufflage	Remplacez le ventilateur de soufflage. Placez le contrôleur hors tension puis de nouveau sous tension et redémarrez le gril.
	Ventilateur soufflant bloqué	Enlevez les débris qui provoquent le blocage de la soufflerie. Placez le contrôleur hors tension puis de nouveau sous tension et redémarrez le gril.
	Connecteur du ventilateur de soufflage desserré	Vérifiez le connecteur de la soufflerie. Placez le contrôleur hors tension puis de nouveau sous tension et redémarrez le gril.
ERH	Température élevée : La température dépasse la température admissible de 600°F	Laissez le gril refroidir, puis éteignez le gril. Retirez les granulés restants du pot de combustion et redémarrez le gril. Si le problème persiste, appelez le service consommateurs.
ERC	Défaut d'allumage	Débranchez l'adaptateur A/C et attendez 3 à 5 minutes pour que l'allumeur refroidisse, puis redémarrez votre gril à granulés. Si le problème persiste, remplacez l'allumeur.
	Connexion de l'allumeur desserrée	Vérifiez le connecteur de l'allumeur. Placez le contrôleur hors tension puis de nouveau sous tension et redémarrez le gril.
ERN	La trémie est bloquée	Nettoyez les granulés dans la trémie pour éliminer les débris qui bloquent la vis sans fin. Placez le contrôleur hors tension puis de nouveau sous tension et redémarrez le gril.
	Dysfonctionnement du moteur de la trémie	Remplacez le moteur de la vis sans fin. Placez le contrôleur hors tension puis de nouveau sous tension et redémarrez le gril.
	Connecteur du moteur de la trémie desserré	Vérifiez le connecteur du moteur de la trémie. Placez le contrôleur hors tension puis de nouveau sous tension et redémarrez le gril.
ERR	Dysfonctionnement du capteur RTD	Remplacez le capteur RTD. Placez le contrôleur hors tension puis de nouveau sous tension et redémarrez le gril.
	Connecteur du capteur RTD desserré	Vérifiez le connecteur du capteur RTD. Placez le contrôleur hors tension puis de nouveau sous tension et redémarrez le gril.
ERU	Surcharge de l'alimentation électrique	Placez le contrôleur hors tension puis de nouveau sous tension et redémarrez le gril. Si le problème persiste, remplacez l'adaptateur A/C.

AVERTISSEMENT

Veillez à nettoyer les cendres du pot de combustion après chaque utilisation pour assurer le bon fonctionnement de votre gril à granules. Si vous ne nettoyez pas les cendres du réservoir de combustion après chaque utilisation, les granules risquent de ne pas s'enflammer ou de s'accumuler devant le tube de la vis sans fin, ce qui pourrait causer un retour de flamme à l'intérieur du tube de la vis sans fin.

AVERTISSEMENT

Débranchez toujours le cordon électrique avant d'ouvrir le gril à granules Halo pour toute inspection, nettoyage, entretien ou service. Assurez-vous que l'appareil est complètement refroidi pour éviter toute blessure.

AUCUN VOYANT D'ALIMENTATION SUR LE CONTRÔLEUR

CAUSE POSSIBLE:

- Le bouton d'alimentation n'est pas connecté à la source d'alimentation
- La prise GFCI s'est déclenchée
- Contrôleur défectueux
- La batterie n'est pas placée dans l'appareil

SOLUTION:

- Appuyez sur le bouton d'alimentation. Faites une autre tentative et maintenez-la pendant deux secondes pour vérifier la connexion.
- Assurez-vous que l'appareil est branché sur une source d'alimentation fonctionnelle. Réinitialiser le disjoncteur. Assurez-vous que le GFCI est un service de 10 ampères minimum (voir le schéma électrique pour l'accès aux composants électriques). Assurez-vous que tous les raccordements de fils sont fermement connectés et secs.
- Le contrôleur doit être remplacé. Appelez le service clientèle pour obtenir une pièce de rechange.
- Insérez la batterie si vous utilisez une alimentation par batterie. Vérifiez que la batterie est entièrement chargée.

LES GRANULES DANS LE POT DE COMBUSTION NE S'ALLUMENT PAS

CAUSE POSSIBLE:

- La vis n'est pas amorcée
- Le moteur de la vis est bloqué
- Défaillance de l'allumeur

SOLUTION:

- Avant la première utilisation de l'appareil ou chaque fois que la trémie est complètement vidée, la vis sans fin doit être amorcée pour permettre aux granules de remplir le réservoir de combustion. S'il n'est pas amorcé, l'allumeur s'arrêtera avant que les granules ne s'enflamment.
- Retirez la grille de cuisson et la plaque de graissage. Appuyez sur le bouton d'alimentation et tournez-le pour sélectionner le mode Set afin de mettre l'appareil en marche et d'inspecter le système d'alimentation par vis sans fin. Vérifiez visuellement que la vis sans fin fait tomber les granules dans le réservoir de combustion. S'il ne fonctionne pas correctement, appelez le service clientèle pour obtenir de l'aide ou une pièce de rechange.
- Retirez la grille de cuisson et la plaque de graissage de la chambre de cuisson. Appuyez sur le bouton d'alimentation pour mettre l'appareil sous tension. Tournez le cadran de commande sur Set et appuyez sur pour inspecter l'allumeur. Confirmez visuellement que l'allumeur fonctionne en voyant les étincelles entre les deux électrodes. Vérifiez visuellement que l'écartement de l'allumeur est d'environ 6 mm / 0,25 pouces dans le réservoir de combustion. Si le gril ne fonctionne pas correctement, suivez la procédure de mise en marche manuelle pour continuer à utiliser le gril à granules. Appelez le service clientèle pour obtenir de l'aide ou une pièce de rechange.

LE GRIL À GRANULES N'ATTEINT PAS OU NE MAINTIEN PAS LA TEMPÉRATURE

CAUSE POSSIBLE:

- Débit d'air insuffisant dans le réservoir de combustion
- Manque de carburant, mauvaise qualité du carburant, obstruction du système d'alimentation
- Capteur de température (RTD)

SOLUTION:

- Vérifiez le réservoir de combustion pour voir s'il n'y a pas d'accumulation de cendres ou d'obstruction. Suivez les instructions d'entretien et de maintenance pour l'accumulation de cendres. Vérifiez le ventilateur pour vous assurer qu'il fonctionne correctement et que l'entrée d'air n'est pas bloquée. Suivez les instructions d'entretien et de maintenance si elles sont sales. Vérifiez le moteur de la vis pour confirmer son fonctionnement et assurez-vous qu'il n'y a pas de blocage dans le tube de la vis. Une fois que toutes les étapes ci-dessus ont été effectuées, démarrez le gril à granules, réglez la température sur 300°F (148°F) et allumez le gril à granules. Vérifiez que le feu est vif et vibrant.
- Vérifiez la trémie pour vous assurer que le niveau de carburant est suffisant et refaire le plein si le niveau est bas. Si la qualité des granules de bois est mauvaise, ou si la longueur des granules est trop importante, cela peut provoquer une obstruction de la trémie et de la vis sans fin. Retirez les granules et suivez les instructions d'entretien et de maintenance.
- Vérifiez l'état de la sonde de température. Suivre les instructions d'entretien et de maintenance si la couverture est créosotée. Contactez le service clientèle pour obtenir une pièce de rechange si elle est endommagée.

LE GRIL À GRANULES PRODUIT UNE FUMÉE EXCESSIVE OU DÉCOLORÉE

CAUSE POSSIBLE:

- Accumulation de graisse
- Qualité des granules de bois
- Réservoir de combustion bloqué
- Prise d'air insuffisante pour le ventilateur

SOLUTION:

- Suivez les instructions d'entretien et de maintenance.
- Retirez les granules de bois humides de la trémie. Suivez les instructions d'entretien et de maintenance pour nettoyer. Remplacez par des granules de bois secs.
- Retirez les granules de bois humides du réservoir de combustion et de la trémie et dégagez le tube de la vis sans fin en sélectionnant le mode Clean Out.
- Vérifiez le ventilateur et assurez-vous qu'il fonctionne correctement et que l'entrée d'air n'est pas bloquée. Suivez les instructions d'entretien et de maintenance si elles sont sales.

POUSSÉES FRÉQUENTES

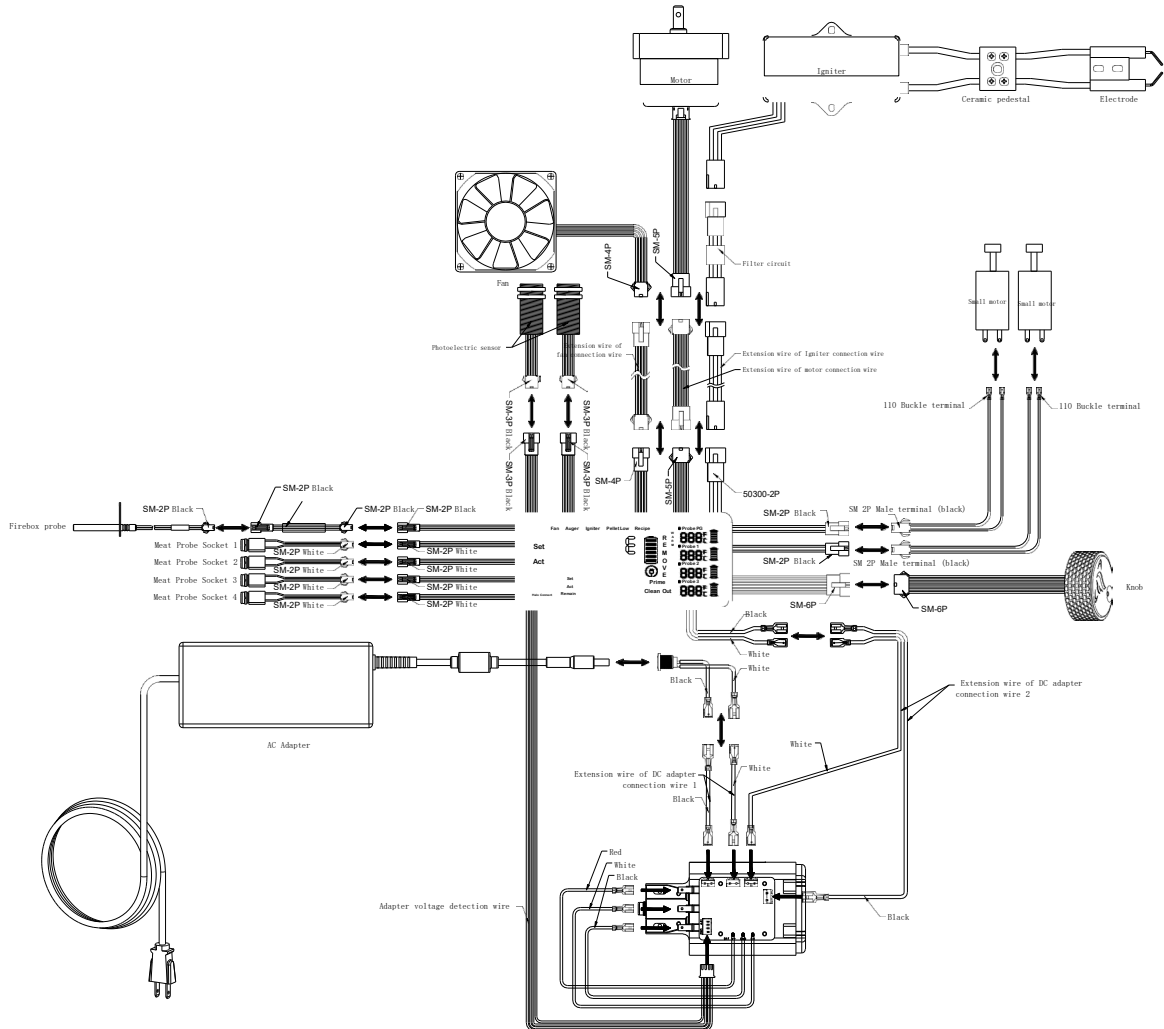
CAUSE POSSIBLE:

- Température de cuisson
- Accumulation de graisse sur les éléments de cuisson

SOLUTION:

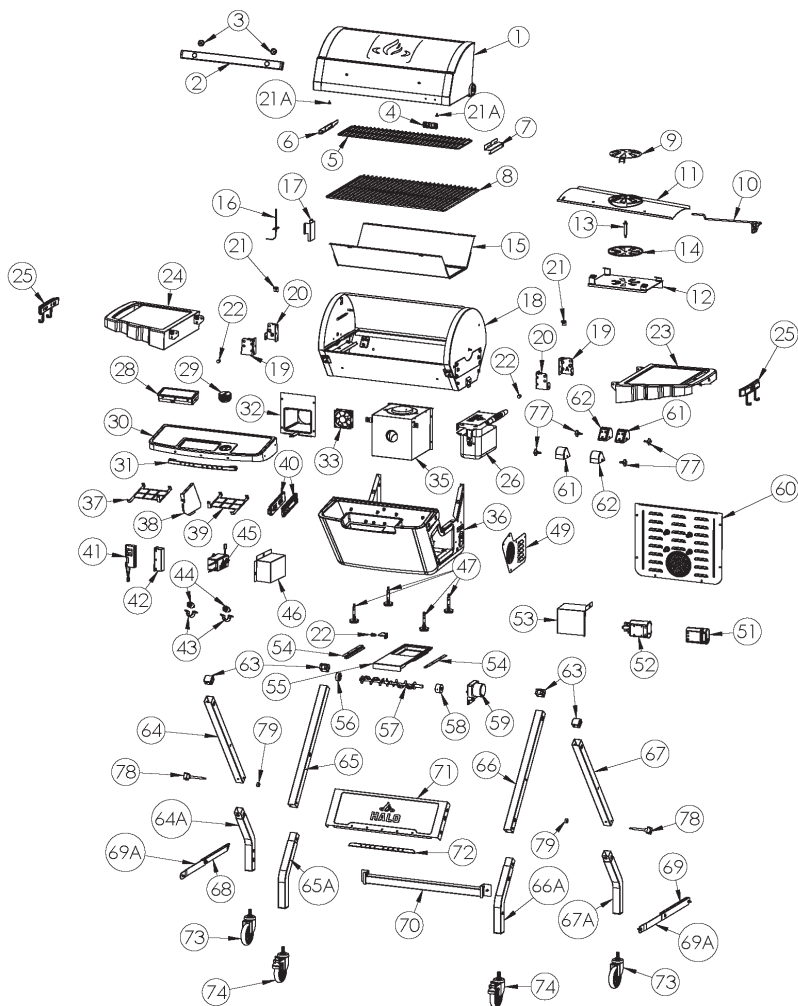
- Essayez de cuire les aliments gras à une température plus basse. La graisse a un point de combustion plus bas. Maintenez la température en dessous de 350°F (176°C).
- Suivez les instructions d'entretien et de maintenance.

DIAGRAMME DES FILS ÉLECTRIQUES



LISTE DES PIÈCES DU PRIME550

ARTICLE	DESCRIPTION DE LA PIÈCE	NUMÉRO	QUANTITÉ	ARTICLE	DESCRIPTION DE LA PIÈCE	NUMÉRO	QUANTITÉ
1	Assemblage du couvercle	HS-1001-01	1	41	Niveleur	HZ-1007-21	1
2	Assemblage de la poignée du couvercle	HS-1005-02	1	42	Niveau de référence	HZ-1007-22	1
3	Poignée du couvercle avec bague de fixation	HZ-1001-03	2	43	Couvercle-Vibration-Moteur	HS-1001-01	1
4	Plaque avec logo Halo	HZ-1004-27	1	44	Vibration-Moteur	HS-1001-37	2
5	Réchauffeur	HS-1001-02	1	45	Module d'allumage	HS-1001-38	2
6	Support de support-WR-Gauche	HS-1001-04	1	46	Module bouclier thermique-igniteur	HS-1005-28	1
7	Support de support-WR-Droit	HS-1001-05	1	47	Pied réglable	HS-1001-40	4
8	Grille de cuisson	HS-1001-06	1	48	Prise d'alimentation A/C/110-120 Volts	HZ-1004-33	1
9	Volet de saisie supérieur	HS-1001-07	1	49	Panneau d'accès	HS-1001-41	1
10	Connexion avec la poignée	HS-1001-08	1	50	CONNEXION A/C	HS-1005-36	1
11	Plaque de cuisson	HS-1001-09	1	51	Boîtier de batterie	HS-1005-33	1
12	Assemblage de la plaque de contrôle de l'évasement	HS-1001-10	1	52	Module PSM	HS-1005-39	1
13	Attelage d'amortisseur supérieur/inférieur	HS-1001-11	1	53	Bouclier thermique - Module PSM	HS-1001-42	1
14	Volet de saisie inférieur	HS-1001-12	1	54	Support de support - Plateau de nettoyage - L/R	HS-1001-43	2
15	Bac à graisse	HS-1001-13	1	55	Plateau de nettoyage	HS-1001-44	1
16	Capteur de température RTD	HS-1001-14	1	56	Roulement de la trémie	HS-1001-45	1
17	Support-Capteur de température RTD	HS-1001-15	1	57	Assemblage de la trémie	HS-1001-46	1
18	Assemblage de la chambre de cuisson	HS-1001-16	1	58	Douille en nylon de la trémie	HS-1001-47	1
19	Support - Table latérale A	HS-1001-17	2	59	Moteur de la trémie	HS-1005-29	1
20	Support - Table latérale-B	HS-1001-18	2	60	Chambre de cuisson - Panneau arrière	HS-1001-48	1
21	Protections du couvercle	HS-1001-19	2	61	Support de pied - gauche	HS-1001-49	2
21A	Protections avant	HS-1001-20	2	62	Support de pied-droit	HS-1001-50	2
22	Ressort de libération de la table d'appoint et plateau de nettoyage	HS-1001-21	3	63	Capuchon du pied	HS-1001-51	4
23	Table d'appoint - droite	HS-1001-22	1	64	Pied extérieur gauche-long	HS-1001-52	1
24	Table d'appoint - gauche	HS-1001-23	1	64A	Pied extérieur gauche-court	HS-1001-53	1
25	« Crochet à outils » JJ	HZ-1001-06	2	65	Pied intérieur gauche-long	HS-1001-54	1
26	Seau à graisse avec couvercle	HZ-1007-18	1	65A	Pied intérieur gauche-court	HS-1001-55	1
28	Contrôleur	HS-1001-26	1	66	Pied intérieur droit-long	HS-1001-56	1
29	BOUTON DE COMMANDE	HS-1005-35	1	66A	Pied intérieur droit-court	HS-1001-57	1
30	Couvercle de la trémie	HS-1001-27	1	67	Pied extérieur droit-long	HS-1001-58	1
31	Logo du couvercle de la trémie RISE ABOVE	HS-1001-28	1	67A	Pied extérieur droit-court	HS-1001-59	1
32	Boîtier du ventilateur	HS-1001-29	1	68	Support de pivotement-A	HS-1001-60	1
33	Ventilateur soufflant	HS-1001-30	1	69	Support de pivotement-B	HS-1001-61	1
34	Électrode	HS-1005-16	1	69A	Support de pivotement-C	HS-1001-62	2
35	Assemblage du pot de combustion	HS-1001-31	1	70	Support arrière	HS-1001-63	1
36	Assemblage du boîtier de la trémie	HS-1001-32	1	71	Panneau avant	HS-1001-64	1
37	Écran de protection - gauche	HS-1001-33	1	72	Plaque avec logo RISE ABOVE	HZ-1004-39	1
38	Diviseur de la trémie	HS-1001-34	1	73	Roulette pivotante	HO-1006-XNA-12	2
39	Écran de protection - Droit	HS-1001-35	1	74	Roulette avec verrouillage	HO-1006-XNA-13	2
40	Glissière- Couvercle de la trémie - Commun	HS-1001-36	2	75	SONDE À VIANDE	HS-1005-19	1
				76	Enveloppe de cordon - Sonde à viande	HS1001-65	1



ARTICLE DESCRIPTION DE LA PIÈCE

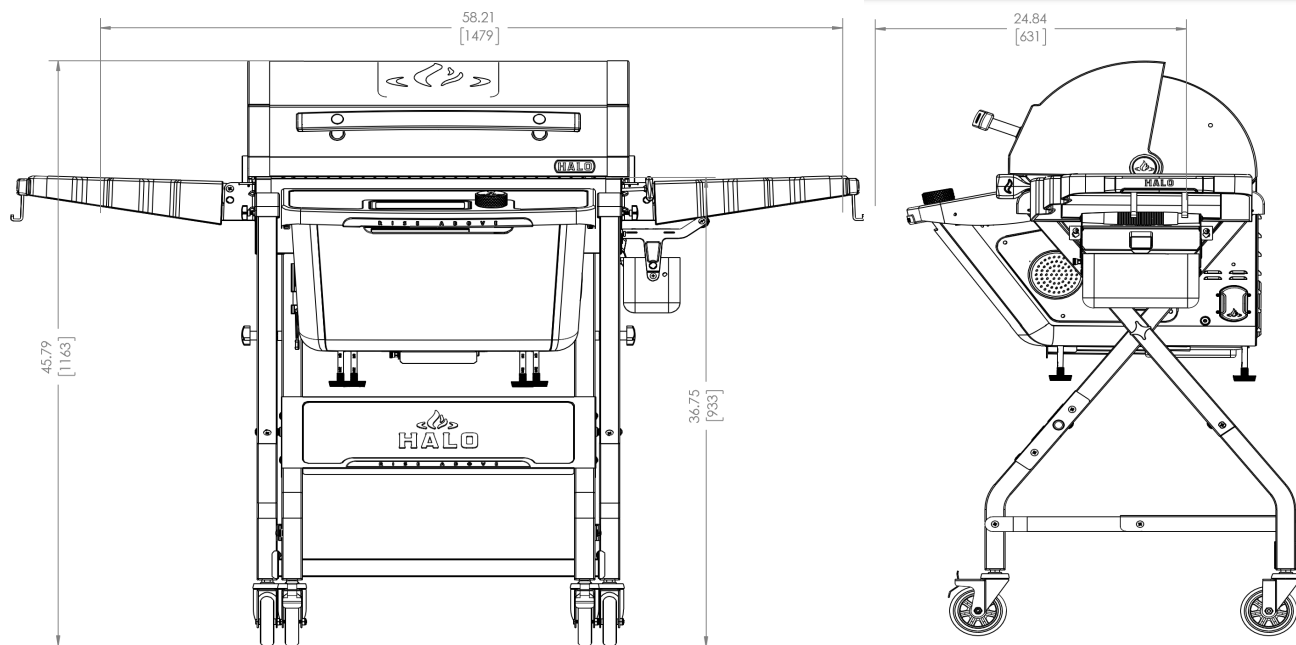
NUMÉRO QUANTITÉ

BLISTER DE MATÉRIEL

77	Bouton de 1/4"-20x15 mm Arbre fileté	HS-1001-66	1
		HZ-1001-42-A	4
78	Bouton de M6 x 63 mm Arbre fileté	HO-1006-21	2
79	Entretoise en nylon	HZ-1001-45	2
80	Vis à tête bombée M6 x 12 mm	HS-1001-68	6
81	Vis à épaulement M6 x 2,5H x 9,5D	HS-1001-67	8
82	Vis M6 x 14 mm	HZ-1001-40	32
83	Clé M12	HZ-1001-46	1



ASSEMBLÉES DIMENSIONS



GARANTIE LIMITÉE DE CINQ (5) ANS

Cette garantie s'applique uniquement aux produits achetés auprès d'un détaillant agréé après avoir utilisé l'option ENREGISTRER MON HALO via les QR Codes ou sur www.halo-pg.com pour enregistrer un nouveau produit. L'enregistrement doit être effectué dans les 30 jours suivant l'achat auprès du fabricant pour bénéficier de cette garantie. Dans le cadre de cette garantie, le fabricant garantit expressément ce qui suit :

Le fabricant garantit à l'acheteur original que ce produit est exempt de défauts de fabrication et de matériaux après un assemblage correct et dans le cadre d'une utilisation domestique normale et raisonnable pendant les périodes indiquées ci-dessous, à compter de la date d'achat.

CHAMP D'APPLICATION DE LA COUVERTURE	PÉRIODE DE COUVERTURE	TYPE DE COUVERTURE DE LA DÉFAILLANCE
HALO offre une garantie contre les défauts de fabrication sur toutes les pièces et composants non couverts ci-dessous	5 ans	UNIQUEMENT SUR LES DÉFAUTS DE PERFORATION, DE FABRICATION ET DE MATÉRIAUX
Composants électriques	1 an	
Peinture	1 an	

Le fabricant se réserve le droit d'exiger que les pièces défectueuses soient retournées, port et/ou fret prépayés par le consommateur, pour examen et vérification.

Veuillez conserver une copie de votre preuve d'achat pour valider votre garantie. Il peut vous être demandé d'envoyer une copie de votre reçu pour confirmer toute demande de garantie.

Le consommateur-acheteur d'origine sera responsable de tous les frais d'expédition des pièces remplacées dans le cadre de cette garantie limitée. Cette garantie limitée ne s'applique qu'aux États-Unis et au Canada, n'est valable que pour le propriétaire initial du produit et n'est pas transférable. Le fabricant exige une preuve de votre date d'achat. Vous devez donc conserver votre ticket de caisse ou votre facture. L'enregistrement de votre produit ne remplace pas la preuve d'achat et le fabricant n'est pas responsable ni de conserver les preuves d'achat. Cette garantie limitée s'applique UNIQUEMENT à la fonctionnalité du produit et ne couvre pas les problèmes esthétiques tels que les rayures, les bosses, les corrosions ou les décolorations dues à la chaleur, aux nettoyants abrasifs et chimiques ou à tout outil utilisé pour l'assemblage ou l'installation de l'appareil, la rouille de surface ou la décoloration des surfaces en acier inoxydable. La peinture n'est pas garantie et devra être retouchée. La rouille n'est pas considérée comme un défaut de fabrication ou de matériel.

La présente garantie limitée ne vous remboursera pas le coût des inconvénients, des aliments, des blessures corporelles ou des dommages matériels.

GARANTIE LIMITÉE DE CINQ (5) ANS

ARTICLES POUR LESQUELS LE FABRICANT NE PAIERA PAS

1. Frais d'expédition, standard ou accéléré, pour la garantie et les pièces de rechange.
2. Appels de service à votre domicile.
3. Les réparations lorsque votre produit est utilisé à des fins autres que l'usage normal, domestique ou résidentiel d'une seule famille.
4. Les dommages, les défaillances ou les difficultés de fonctionnement résultant d'un accident, d'une modification, d'une manipulation ou d'une utilisation imprudente ou négligente, d'une utilisation par un mineur, d'un abus, d'un incendie, d'une inondation, d'une installation ou d'un entretien inadéquat, d'une installation non conforme aux codes de l'électricité ou de la plomberie, de l'utilisation de produits non approuvés par le fabricant ou de l'utilisation de produits non autorisés par les lois, les règlements et les codes fédéraux, provinciaux ou locaux.
5. Toute perte de nourriture due à des défaillances du produit ou à des difficultés de fonctionnement.
6. Les pièces de rechange ou le coût de la main-d'œuvre pour les unités utilisées en dehors des États-Unis ou du Canada.
7. Enlèvement et livraison de votre produit.
8. Les réparations de pièces ou de systèmes résultant de modifications non autorisées apportées au produit.
9. Le retrait et/ou la réinstallation de votre produit.

Exclusion des Garanties Implicites et Limitation des Recours

La réparation ou le remplacement des pièces défectueuses est votre seul recours selon les termes de cette garantie limitée. En cas de problèmes de disponibilité des pièces, le fabricant se réserve le droit de substituer des pièces similaires ou de même fonction. Le fabricant ne peut être tenu responsable de tout dommage indirect ou accessoire découlant de la violation de la présente garantie limitée ou de toute garantie implicite applicable, ou de toute défaillance ou tout dommage résultant d'une catastrophe naturelle, d'un entretien inadéquat, d'un incendie de graisse, d'un accident, d'une modification, du remplacement de pièces par une personne autre que le fabricant, d'une mauvaise utilisation, du transport, d'une utilisation commerciale, d'un abus, d'un environnement hostile (intempéries, catastrophes naturelles, altération par des animaux), d'une installation inadéquate ou non conforme aux codes locaux ou aux instructions imprimées du fabricant.

5 YEAR
LIMITED
WARRANTY

CETTE GARANTIE LIMITÉE EST LA SEULE GARANTIE EXPRESSE DONNÉE PAR LE FABRICANT. AUCUNE SPÉCIFICATION OU DESCRIPTION DE PERFORMANCE DU PRODUIT, OÙ QU'ELLE APPARAISSE, N'EST GARANTIE PAR LE FABRICANT, SAUF DANS LA MESURE PRÉVUE PAR LA PRÉSENTE GARANTIE LIMITÉE. TOUTE PROTECTION DE GARANTIE IMPLICITE DÉCOULANT DES LOIS DE TOUT ÉTAT, Y COMPRIS LA GARANTIE IMPLICITE DE QUALITÉ MARCHANDE OU D'ADÉQUATION À UN USAGE PARTICULIER, EST LIMITÉE PAR LA PRÉSENTE À LA DURÉE ET À LA PORTÉE STIPULÉES DANS LA PRÉSENTE GARANTIE LIMITÉE.

La responsabilité maximale du fabricant, dans tous les cas, ne dépassera pas le prix d'achat du produit payé par le consommateur initial. REMARQUE : Certains États n'autorisent pas l'exclusion ou la limitation des dommages accessoires ou indirects, de sorte que certaines des limitations ou exclusions ci-dessus peuvent ne pas s'appliquer à vous. Cette garantie limitée vous confère des droits légaux spécifiques tels qu'énoncés dans le présent document. Vous pouvez également avoir d'autres droits qui varient d'un État à l'autre. Pour les achats effectués dans l'État de Californie uniquement, si la remise en état ou le remplacement du produit n'est pas commercialement réalisable, le détaillant californien qui vend ce produit remboursera le prix d'achat payé pour le produit, moins le montant directement attribuable à l'utilisation par le consommateur-acheteur initial avant la découverte de la non-conformité. En outre, dans l'État de Californie uniquement, vous pouvez apporter le produit à l'établissement de vente au détail qui vend ce produit afin d'obtenir les performances dans le cadre de cette garantie limitée. Si vous souhaitez obtenir du fabricant l'exécution d'une quelconque obligation au titre de la présente garantie limitée, vous devez écrire à l'adresse suivante :

Halo Products Group LLC 850 West Park Rd Elizabethtown KY, 42701

Les retours de consommateurs ne seront pas acceptés à moins qu'une autorisation de retour valide ne soit obtenue au préalable auprès du fabricant. Les retours autorisés doivent être clairement marqués à l'extérieur du colis avec un numéro RA et le colis est expédié en fret prépayé. Les retours des consommateurs qui ne respectent pas ces normes seront refusés.

SERVICE CONSOMMATEURS

Pour toute question concernant votre produit, ou si vous avez besoin de pièces de rechange, contactez-nous à l'adresse suivante :





Sans frais : 1-833-572-1688 ou

Visitez-nous en ligne à l'adresse **www.halo-pg.com**

STAY CONNECTED WITH US!



SCAN TO REGISTER
YOUR PRODUCT

-  HALO Products Group
-  @haloproductsgroup
-  @haloproductsgroup
-  Halo Products Group

© 2022 Halo Products Group LLC

Halo and the Halo flame are registered trademarks of Halo Products Group LLC



www.halo-pg.com

Halo Products Group LLC

850 West Park Rd

Elizabethtown KY 42701

Toll free: (833) 572-1688