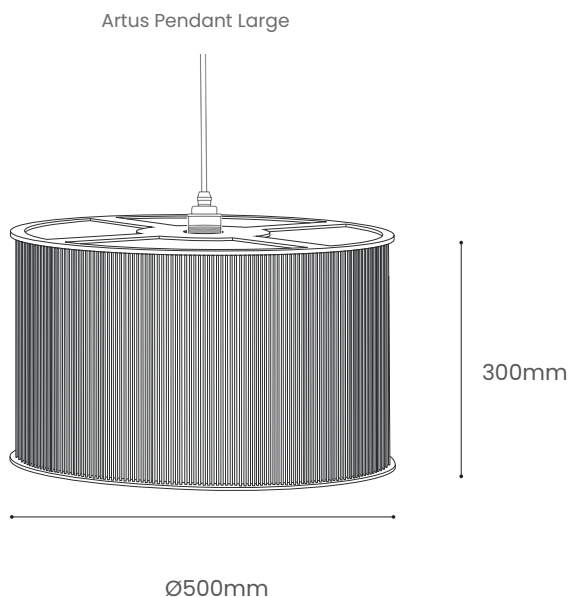


ARTUS PENDANT LARGE

Product Specification

Tom Raffield



A fine birch dowel cage contains its blown-glass bulb within. Daring yet delicate, the Artus Lighting Range diffracts a mesmerising pattern of shadows, dramatising your space.

270 ethereal dowels are slotted into a complex birch plywood frame that shrouds an exposed filament bulb. Intricately placed, each illuminated pillar distributes kaleidoscopic, vertical shadows that delights the eye of the beholder. Handcrafted from sustainably sourced wood, this statement wooden drum lampshade provides eccentric beauty to any bedroom, hallway, or living space alike.

Illuminate. Delight. Draw the eye.

Product Type : Pendant Light	SKU	Wood types	Dimensions L x W x H (mm)		Weight (kg)	
			Unboxed	Boxed	Unboxed	Boxed
Artus Pendant Large	TR-ART-P-B-LRG	Birch	Ø500 x 300	600 x 350 x 600	0.7	3.2
Materials	Birch				Other materials Birch ply hanging disk	
Finish	Non-toxic, hard wearing water based varnish – satin					
Wiring kit option : 1	Black ceiling rose and brass bulb holder	Ceiling kit	Flex	Recommended light bulb		
		Ceiling rose: Ø100mm E27 (240v) / E26 (110v)	Flex colour: black fabric Flex length: 2m (Adjustable)	Max 25W LED		
Wiring kit option : 2	Brushed steel ceiling rose and bulb holder	Ceiling kit	Flex	Recommended light bulb		
		Ceiling rose: Ø100mm E27 (240v) / E26 (110v)	Flex colour: light grey fabric Flex length: 2m (Adjustable)	Max 25W LED		
Care information	Dusting your light regularly and with a light feather duster should keep your light looking clean, otherwise wipe with a damp cloth and remove any moisture with a dry cloth. Gentle furniture polishes can also be used.					
Additional information	<ul style="list-style-type: none"> This light can be used with your existing E27/E26 pendant fitting. Suitable for use on 240v and 110v circuits. A shade ring adaptor can be supplied so the light can be used on a bayonet (B22) pendant fitting. Installation instructions included. 					