

## Product information

# 25 26 160

## Snipe Nose Side Cutting Pliers (Radio Pliers)

DIN ISO 5745 IEC 60900 DIN EN 60900

- Suitable for finer gripping and cutting work
- Half-round, long, tapered jaws
- Knurled gripping surfaces
- With cutting edges for soft, medium-hard and hard wire
- Cutting edges additionally induction-hardened, cutting edge hardness approx. 61 HRC
- 40° angled jaws
- Vanadium electric steel, forged, multi stage oil-hardened



⚡ 1000 V   40° ⊖

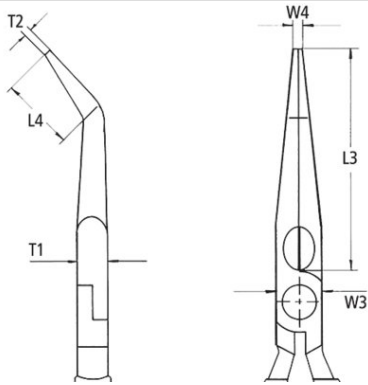
### General

Article No.	25 26 160
EAN	4003773052111
Pliers	chrome-plated
Head	chrome-plated
Handles	insulated with multi-component grips, VDE-tested
Weight	144 g
Dimensions	160 x 51 x 18 mm
Standard	DIN ISO 5745 DIN EN 60900 IEC 60900
REACH compliant	no
RohS compliant	no

### Technical details

Cutting capacities medium hard wire (diameter)	Ø 2.5 mm
Cutting capacities hard wire (diameter)	Ø 1.6 mm
Jaw thickness (joint) (T1)	9.0 mm
Tips width (W4)	3.0 mm
Tips thickness (T2)	2.5 mm
Jaw length (L3)	50.0 mm
Head width (W3)	16.5 mm
Gripping surface length (L4)	23 mm

**Technical details**



**Classification**

eCl@ss 5.1.4	21040301
proficl@ss 6.0	AAA004c004
UNSPSC 13.1	27112134

*technical change and errors excepted*