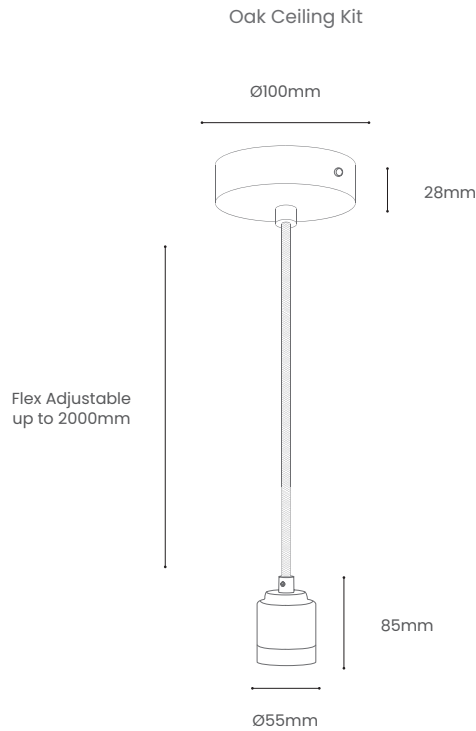


# OAK CEILING KIT E27

## Product Specification


Tom Raffield



Tie your interior scheme together with the help of our Oak Ceiling Kit. Featuring a wooden ceiling rose, bulb holder and two metres of adjustable natural coloured fabric flex, each kit is minimally designed and understated.

Seamlessly suiting most of our wooden ceiling lights, our Oak Ceiling Kit is available to purchase as a standalone product to use with your own shades to ensure that you're able to curate a look that fits with other lighting styles in your space.

Complete the look, style your way.

Product Type : Ceiling Kit	SKU	Wood types	Dimensions L x W x H (mm)		Weight (kg)	
			Unboxed	Boxed	Unboxed	Boxed
Wooden Ceiling Kit	PT-CLR-PS-O-RRP		Ceiling Rose 100Ø X 28	125 X 125 X 125	0.4	0.55
			Bulb Holder 55Ø X 85			
Materials	Oak bulb holder, cord material flex, oak ceiling rose, metal internal components 				Other materials -	
Finish	Finished with a blend of natural wax oils to give a protective, hardwearing and beautiful finish.					
Wiring information	Oak ceiling rose and bulb holder 	Ceiling kit	Flex		Recommended light bulb	
		Ceiling rose: Ø100mm E27 (240v)	Flex colour: Offwhite Flex length: 2m (Adjustable)		Max 25W LED	
Care information	Dusting your light regularly and with a light feather duster should keep your light looking clean, otherwise wipe with a damp cloth and remove any moisture with a dry cloth. Gentle furniture polishes can also be used.					
Additional information	<ul style="list-style-type: none"> <li>This ceiling kit can be used with your existing E27 lamp shade. Suitable for use on 240v and 110v circuits.</li> <li>Installation instructions included.</li> </ul>					

Tom Raffield Ltd, F3 Church View Business Park, Bickland Water Rd, Falmouth TR11 4FZ, UK  
 tomraffield.com contact@tomraffield.com +44 (0) 1326 722725 #tomraffield @tomraffield

Due to the character of handcrafted natural products, all dimensions are approximate. Wood colour may slightly vary.  
 All products, prices and leadtimes are correct at time of print and are subject to change without notice.