

How to Install Your New Light

Please check that you received all of the components pictured in this guide. Reach out to us if anything is missing. It's very rare, but it happens. Don't forget to turn off the electrical power source.

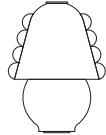
You won't need any additional tools.

CAUTION

As a safety feature, this lamp has a polarized plug to reduce the risk of electric shock. This means it has two flat prongs and a third circular prong underneath, and it will fit in an outlet one way only. If the plug does not fit fully and easily into the outlet, do not force it; contact a qualified electrician.

ATTENTION

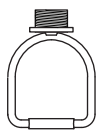
Par mesure de sécurité, cette lampe a une fiche polarisée pour réduire le risque de choc électrique. Cela signifie qu'il a deux broches plates et une troisième broche circulaire en dessous, et qu'il ne s'insère dans une prise que dans un seul sens. Si la fiche ne s'insère pas complètement et facilement dans la prise, ne la forcez pas; contactez un électricien qualifié.



Contents



Part A
Bulb



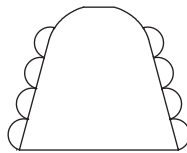
Part B
Harp



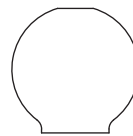
Part C
Finial



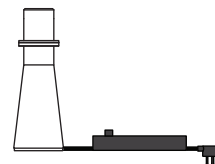
Part D
Washer



Part E
Calla Shade

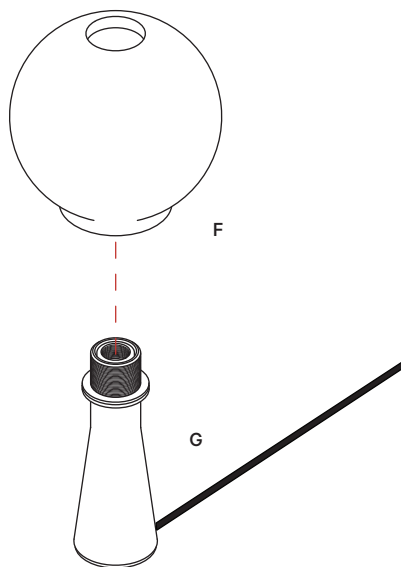


Part F
Globe

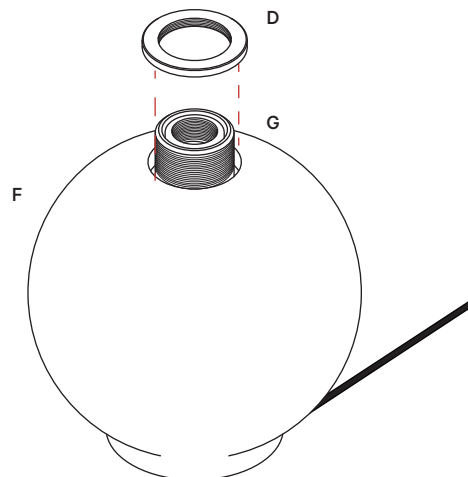


Part G
Table Base

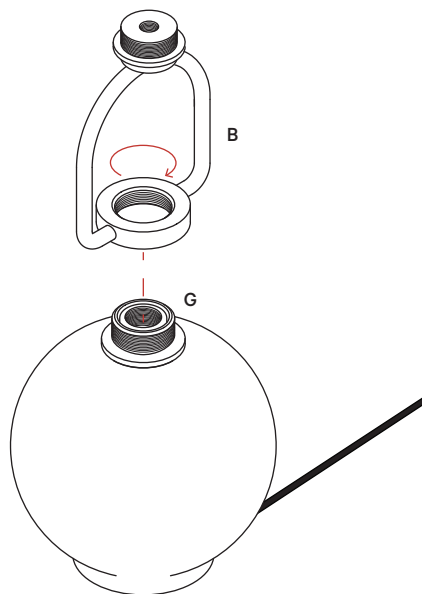
Step 1: Slide the glass globe (F) over the table base (G). Align the side hole on the glass base with the cord.



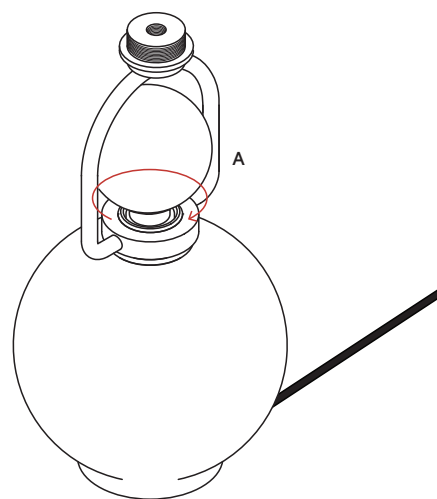
Step 2: Thread washer (D) onto table base (G), tightening the globe (F) into place.



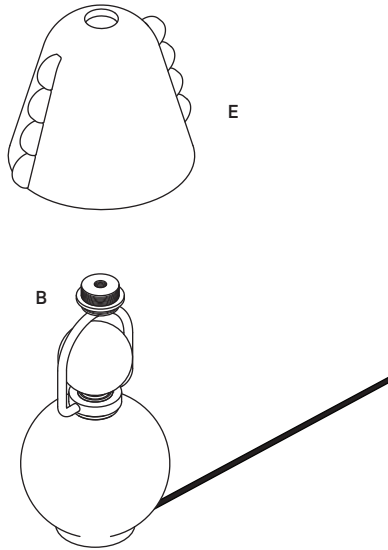
Step 3: Thread the harp (B) onto the table base (G). Leave a sliver of space between the harp and the washer. Do not overtighten the harp, this will prevent the glass base from bearing too much weight.



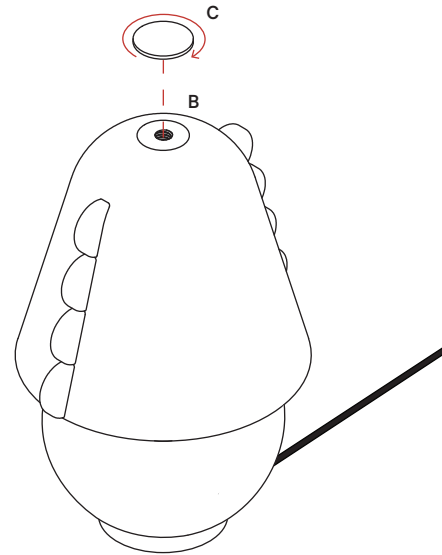
Step 4: Screw bulb (A) into place.



Step 5: Carefully place Calla shade (E) onto the harp (B), feeding the threaded part through the hole in the shade.



Step 6: Screw finial (C) onto harp (B).



Step 7: Plug in the fixture and turn on the light.

