



DOSATRON®

WATER POWERED DOSING TECHNOLOGY



D45RE15 - 20 GPM INTERACTIVE SCHEMATICS

UNIT SPECIFICATIONS

- 1:500 - 1:66
- 7 - 70 PSI
- 1" NPT Connection

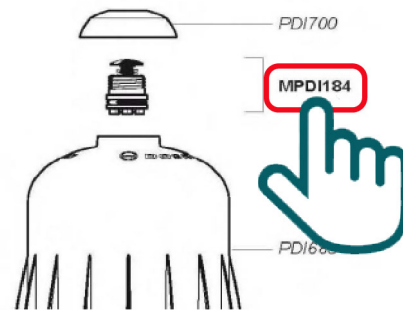
SUGGESTED INSTALLATION

- 200 mesh/80 micron water filter prior to the unit
- One-way check valve down-stream from the unit for water hammer protection

SUGGESTED MAINTENANCE

- Mini-Maintenance Kit
Part #: [PJ096MINI-H](#)
For regular maintenance
- Injection Seal Kit
Part #: [PJ096](#)
For yearly maintenance

DOCUMENT INSTRUCTIONS

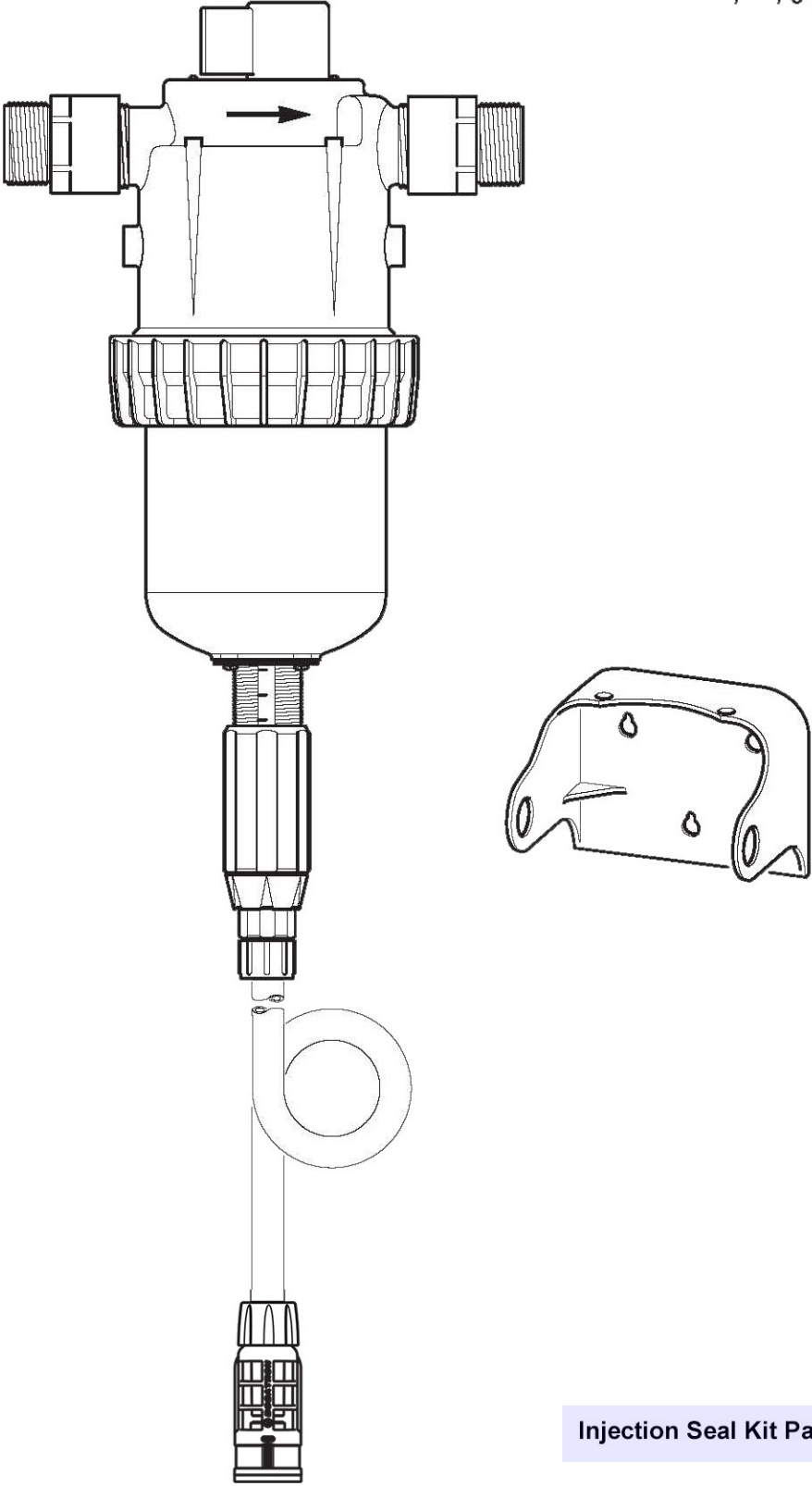


- Click on a part #, to visit item page
- Click arrow back from item page, to return to this document



D45RE1.5

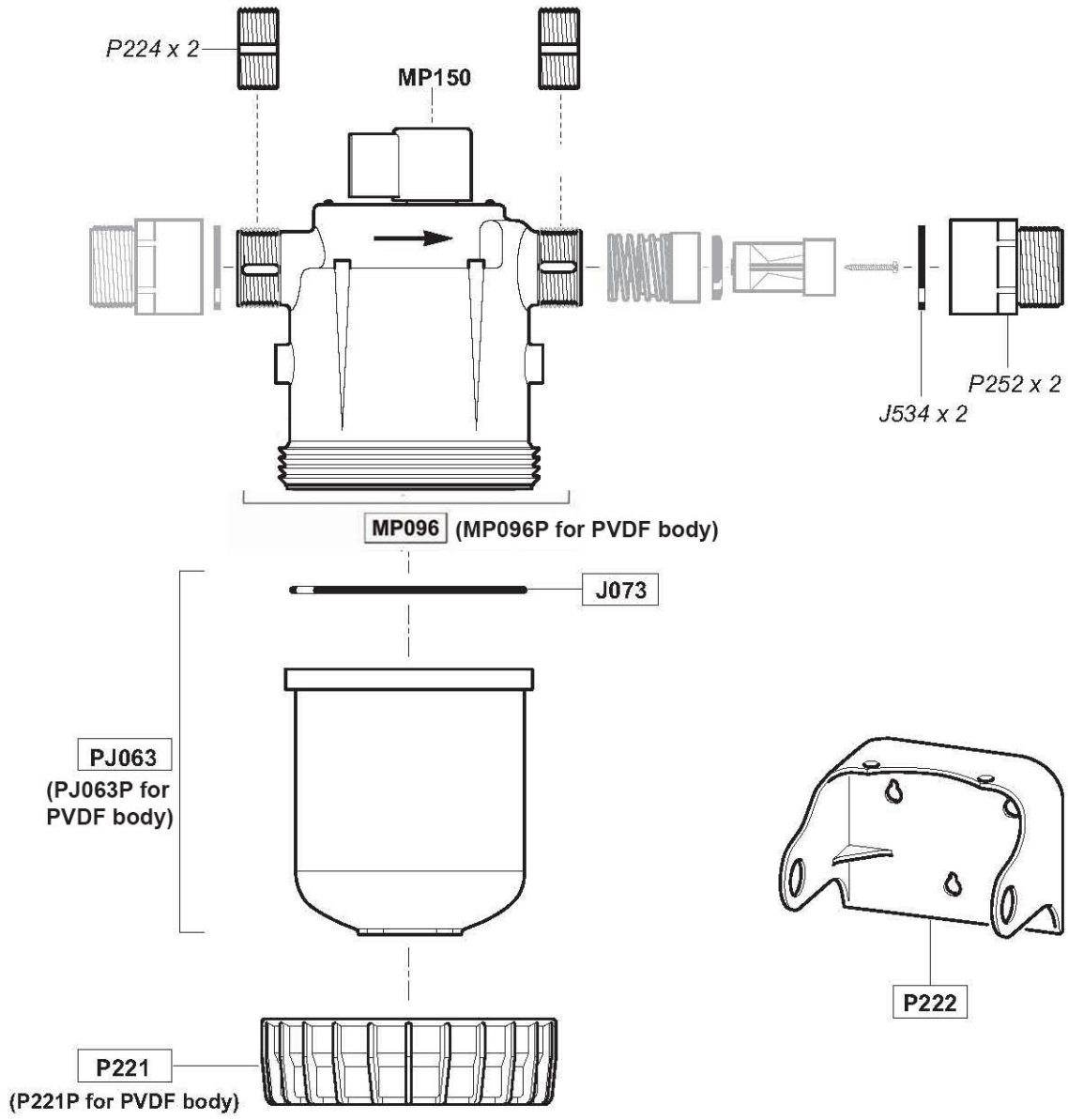
20 GPM - 1:500 - 1:67
7 - 70 psi



Injection Seal Kit Part #: PJ096

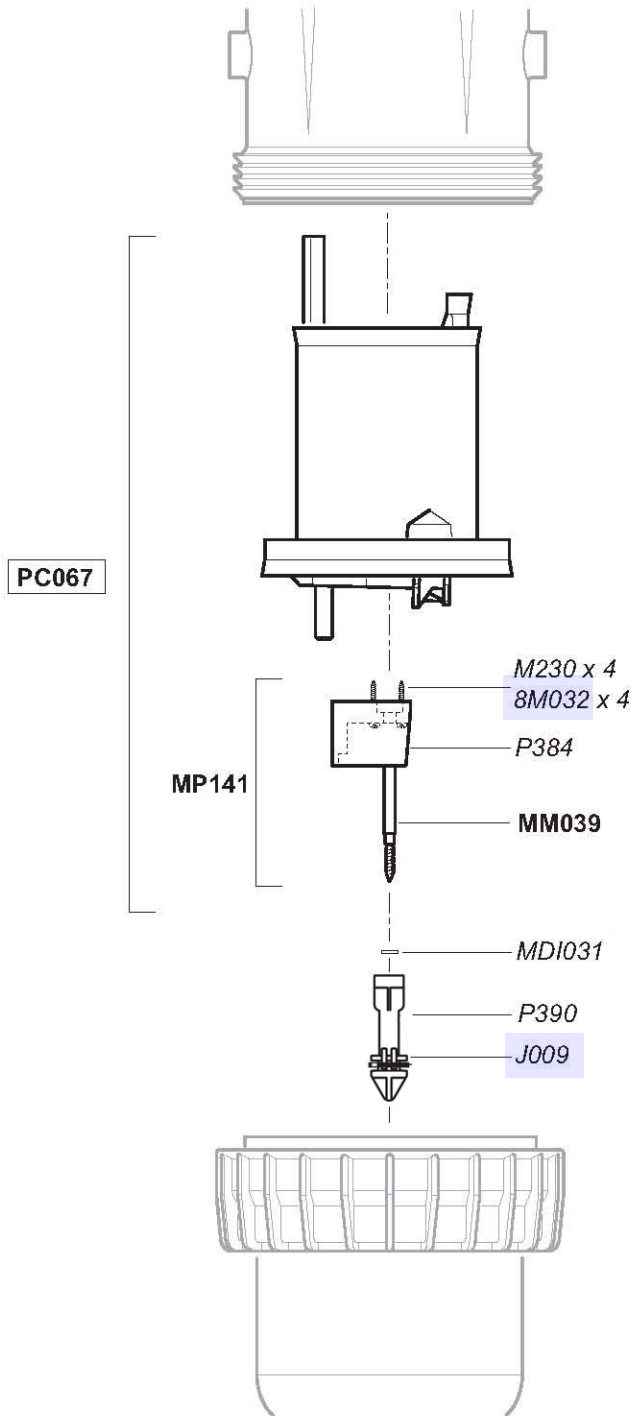
D45RE1.5

20 GPM - 1:500 - 1:67
7 - 70 psi



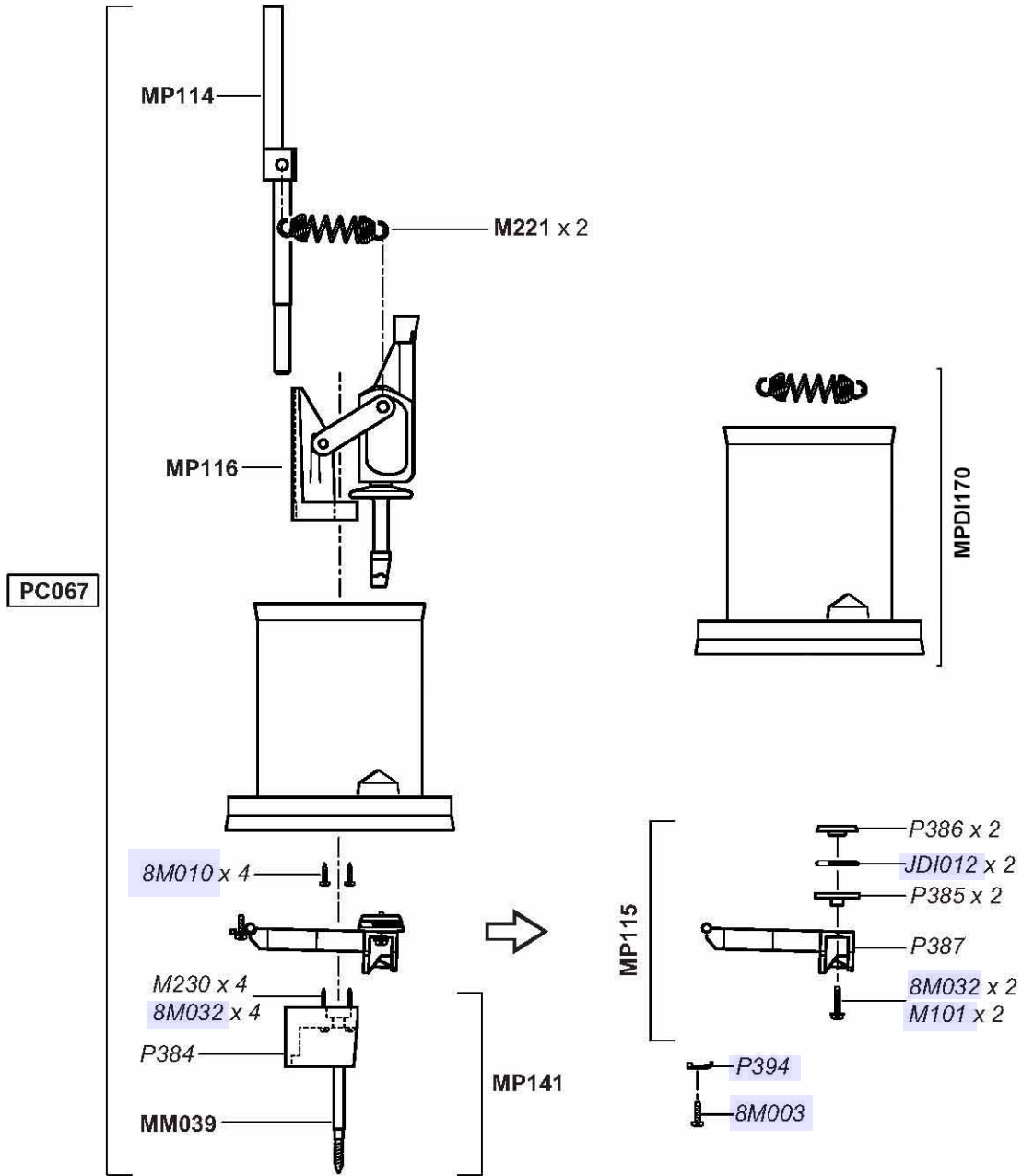
D45RE1.5

20 GPM - 1:500 - 1:67
7 - 70 psi



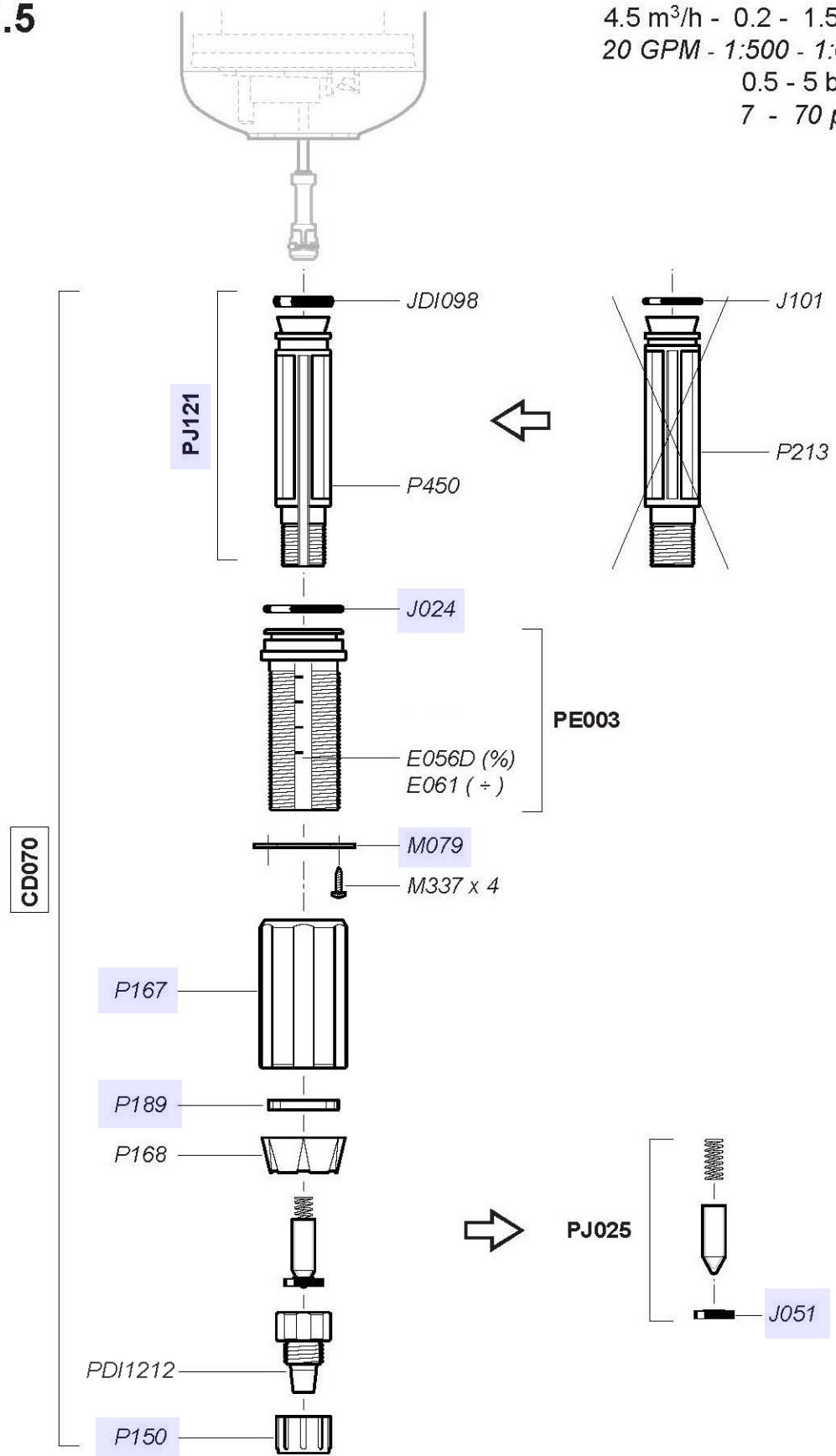
D45RE1.5

20 GPM - 1:500 - 1:67
7 - 70 psi



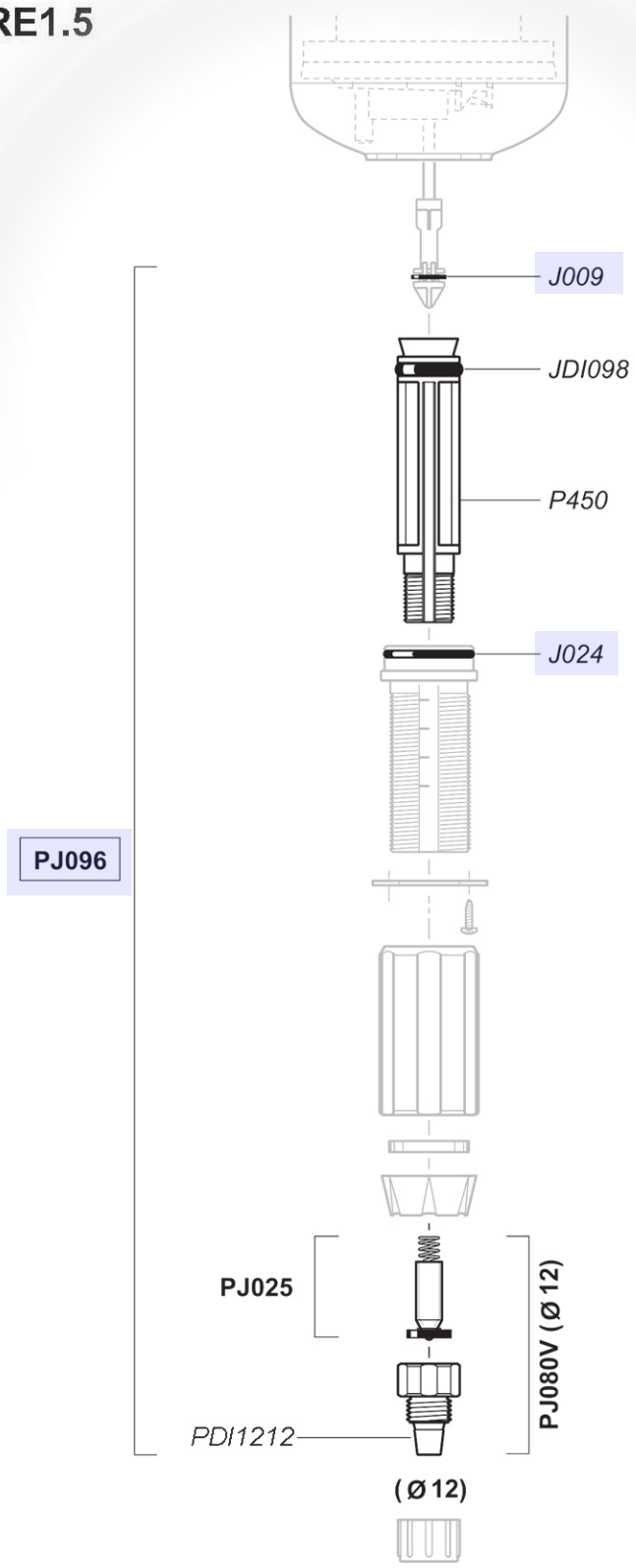
D45RE1.5

4.5 m³/h - 0.2 - 1.5%
 20 GPM - 1:500 - 1:67
 0.5 - 5 bar
 7 - 70 psi



D45RE1.5

20 GPM - 1:500 - 1:67
7 - 70 psi



D45RE1.5

20 GPM - 1:500 - 1:67
7 - 70 psi

