

ASSEMBLY INSTRUCTIONS

CUB BALANCE BIKE

⚠ WARNING

- Children using this product should always be supervised by an adult.
- Never allow this product to be ridden at night.
- For sidewalk use only! Do not ride on streets!

TOOLS

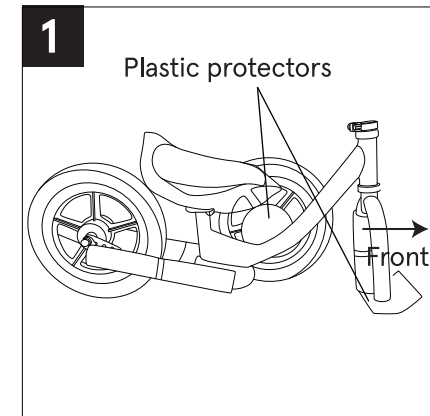
We supply: 14mm/12mm wrench

You supply: Scissors



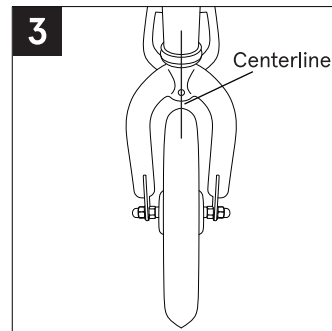
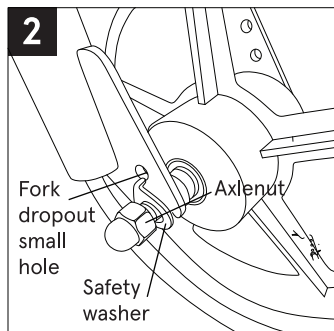
STEP 1: UNPACKING YOUR BIKE

- 1 - Cut the shipping straps on the outside of the box.
- 2 - Remove the box staples. These are sharp and can cut you as you access the bike. Lift bike out by frame and rear wheel.
- 3 - Rotate the fork so that it is facing forward of the bike. Place the bike on the ground, so it's standing upright on the fork dropouts and rear tire (**Fig.1**).
- 4 - Cut all of the packing zip ties.
- 5 - Separate the front wheel from the bike.
- 6 - Examine your new bike for any visible damage that may have occurred during shipping.



STEP 2: FRONT WHEEL

- 1 - Remove the plastic shipping protector(s) from the fork dropouts and plastic axle protector(s) (**Fig.1**).
- 2 - Loosen the axle nuts on the front wheel and insert the front wheel into the fork dropouts. Insert the tab of the safety washers into the small holes on the outside of the fork dropouts. (**Fig.2**).
- 3 - Inspect the wheel to make sure it is centered in the fork (**Fig.3**). Tighten each axle nut a little at a time with a 14mm wrench, alternating between sides, until each axle nut is properly tightened.



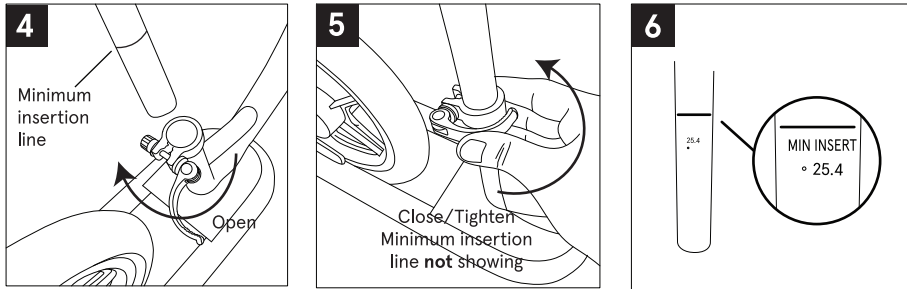
STEP 3: SADDLE/SEAT POST

The 1-piece seat/seat post assembly should come installed from the factory. To adjust saddle height/position, use the following steps:

1. Pull the quick release lever attached to the top of the frame seat tube outwards. Insert the seat post/saddle assembly into the seat tube of the frame to at least the minimum insertion line of the seat post (**Fig. 4**). Adjust the seat to your desired height.
2. Once you have adjusted the seat post to your desired height, lock it in place by closing the quick release lever against the clamp (**Fig. 5**). The lever should begin to offer resistance at about the half way point in its travel. The lever should require some force to close. If it closes too easily and does not hold the seat post in place, or if the effort to close the clamp is too great, adjust the clamping force by loosening or tightening the adjusting nut on the side opposite the lever.

⚠ **WARNING!**

Never adjust the seat height so that the minimum insertion line at the lower end of the seat post is showing outside of the frame (**Fig.6**).



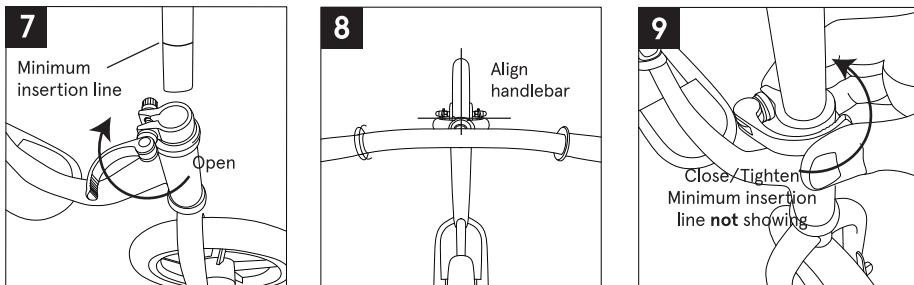
STEP 4: HANDLEBAR ASSEMBLY

1. Pull the quick release lever attached to the top of the fork steer tube outwards. Insert the handlebar assembly into the fork steer tube to at least the minimum insertion line of the assembly (**Fig. 7**). Adjust the handlebar to your desired height.
2. To properly align the handlebar, make sure the front fork is facing forward (**Fig. 1 & 8**). Align the handlebars with the centerline of the front wheel/tire and fork dropouts (**Fig. 8**).
3. Once you have adjusted the handlebar to your desired height & alignment, lock it in place by closing the quick release lever against the clamp (**Fig. 9**). You should feel a reasonable amount of resistance when fully closing the quick lever and the handlebar assembly should not easily rotate. Test this by holding the front wheel between your legs and trying to rotate the bars.

The lever should begin to offer resistance at about the half way point in its travel. The lever should require some force to close. If it closes too easily and does not hold the handlebar in place, or if the effort to close the clamp is too great, adjust the clamping force by loosening or tightening the adjusting nut on the side opposite of the lever.

⚠ **WARNING!**

Never adjust the handlebar/stem height so that the minimum insertion line at the lower end of the stem is showing outside of the fork steer tube/top of handlebar quick release clamp. (**Fig.7**).



BEFORE YOUR FIRST RIDE

We strongly recommend you take your bike to a professional bike shop and have them check your work and fine tune the bike to ensure your bike is safe to ride.