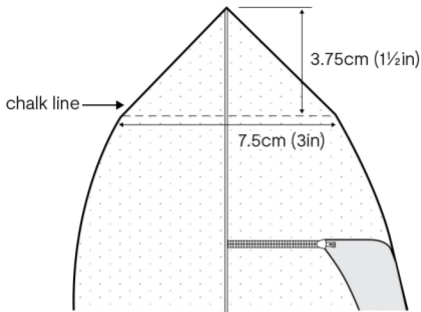


1d



Fold each corner, matching up the finger-pressed line and the side seams. Measure down from the corner **3.75 cm** (1½ in) and draw a line with chalk perpendicular to the seam. The line should be **7.5 cm** (3 in) long (1d). Stitch along the line with an overlock stitch on the sewing machine or overlocker, trimming off the corners.