

EVERDURE KILN

INSTRUCTION MANUAL



Scan for
further support



Intertek

5024915

CONTENTS

Important Safety Instructions.....	4
Appliance Details.....	4
Outdoor Installation Guide.....	6
Operating Instructions.....	8
Cooking Hints & Tips KILN S Series - 1 Burner.....	9
Cooking Hints & Tips KILN R Series - 2 Burner.....	10
Care & Maintenance.....	11
Troubleshooting.....	13
Specifications.....	14

Note; In this instruction manual, the Everdure Kiln will be referred to as an appliance.



**1 BURNER
GRAPHITE**
EKILN1GUS
EKILN1GUSNG



**1 BURNER
STONE**
EKILN1SUS
EKILN1SUSNG



**1 BURNER
TERRACOTTA**
EKILN1TUS
EKILN1TUSNG



**2 BURNER
GRAPHITE**
EKILN2GUS
EKILN2GUSNG



**2 BURNER
STONE**
EKILN2SUS
EKILN2SUSNG



**2 BURNER
TERRACOTTA**
EKILN2TUS
EKILN2TUSNG



WARNING

CALIFORNIA PROPOSITION 65 WARNING

- (a) Handling the brass material on this product exposes you to lead, a chemical known to the State of California to cause cancer and birth defects or other reproductive harm. Wash your hands after handling.
- (b) This product contains chemicals, including lead and compounds, a chemical known to the State of California to cause cancer, reproductive harm, or other birth defects.
- (c) Propane Warning: Fuels used in liquified propane gas appliances, and the products of combustion of such fuels, can expose you to chemicals including benzene, which is known to the State of California to cause cancer and cause birth defects or other reproductive harm.
- (d) Wash your hands after using this product.

For more information, go to: www.P65warnings.ca.gov

* All products, specifications and data are subject to change without notice to improve reliability, function, design, or otherwise.



DANGER

If you smell gas:

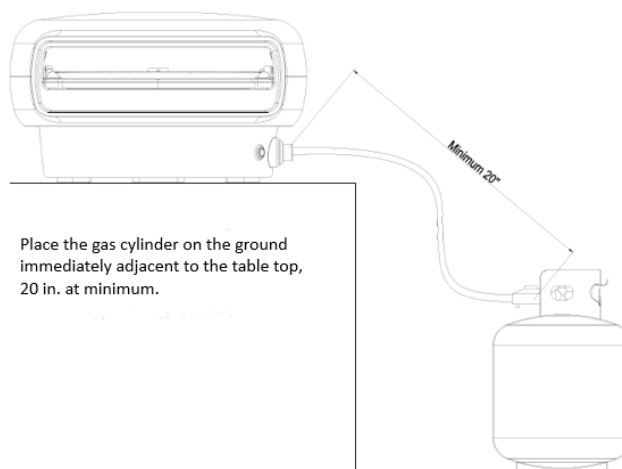
- Shut off gas to the appliance.
- Extinguish any open flame.
- If odour continues, keep away from the appliance and immediately call your fire department.

Failure to follow this instruction could result in fire or explosion, which could cause property damage, personal injury, or death.



DANGER

- Never operate this appliance unattended.
- This appliance shall not be located or used under overhead, unprotected, combustible construction.
- Never operate this appliance within 10ft (3.0m) of any structure, combustible material, or other gas cylinders.
- Never operate this appliance within 24.5ft (7.5m) of any flammable liquid.
- If a fire should occur, keep away from the appliance and immediately call your fire department. Do not attempt to extinguish an oil or grease fire with water.



Place the gas cylinder on the ground immediately adjacent to the table top, 20 in. at minimum.

Always check the gas hose and regulator for leaks before use. If there is evidence of abrasion, wear, cuts, or leaks, the hose must be replaced prior to the appliance being put into operation. The replacement hose assembly shall be that specified by the manufacturer.

This appliance is not intended for commercial use.

Grill appliances must conform with local codes or, in the absence of local codes, with the *National Fuel Gas Code, ANSI Z223.1/NFPA 54, Storage and Handling of Liquefied Petroleum Gases, ANSI/NFPA 58; or Natural Gas and Propane Installation Code, CSA B149.1; Propane Storage and Handling, CSA B149.2; or the Standard for Recreational Vehicles, ANSI A119.2/NFPA 1192; and Recreational Vehicle Code, CSA Z240 RV Series, as applicable.*

When utilizing the power adaptor, the appliance shall be electrically grounded in accordance with local codes or, in the absence of local codes, with the National Electrical Code, ANSI/NFPA 70, or the Canadian Electrical Code CSA C22:1.

Keep the electrical supply cord and the fuel supply hose away from any heated surface(s).

Appliance must be a minimum of 1ft (0.30m) away from any combustible wall surface.

WHEN USING AND COOKING IN YOUR EVERDURE KILN OVEN

Do **NOT** leave the main burner on HIGH setting for over 30 minutes after ignition. Please refer to COOKING HINTS and TIPS KILN S/R SERIES page in the instruction manual on preheating, cooking and after cooking instructions.

IMPORTANT SAFETY INSTRUCTIONS:

This instruction manual contains important information necessary for the proper assembly and safe use of the appliance. Read and follow all warnings and instructions before assembling and using the appliance.

Follow all warnings and instructions when using the appliance.

Keep this manual for future reference.



DO NOT operate this appliance before reading the instruction booklet.

DO NOT place articles on or against this appliance.

DO NOT store chemical or flammable materials or spray aerosols near this appliance.

DO NOT operate this appliance indoors.

- **WARNING:** accessible parts may be very hot.
- Use outdoors only.
- Keep away from young children.
- Do not move appliance during use.
- Ensure the gas supply is turned off at the cylinder after use.
- Do not modify this appliance.
- Parts sealed by the manufacturer or agent must not be manipulated by the user.
- Always use protective gloves when handling hot components.
- Storage of an appliance indoors is only permissible if the cylinder is disconnected and removed from the appliance. When the appliance is not used for a period of time, it should be stored in a dry dust-free environment.
- **CAUTION:** All cleaning and maintenance should be carried out when the oven is cool and with the gas cylinder disconnected.
- **BEFORE USE CHECK APPLIANCE AND CONNECTIONS FOR LEAKS:** Never check for leaks with a naked flame; always use a soapy water solution. Leak testing: Leak test each time a new gas tank is connected or after a long period without having used the oven. Make sure that the valve is in the correct alignment. Make sure that the hose has no cracking or splitting.



IMPORTANT: If you cannot stop a gas leak, turn off the gas tank valve and call your local gas tank provider.

- The appliance must be kept away from any flammable materials during use.
- When changing the gas cylinder, ensure that the oven is turned to the off position, disconnect the regulator from the gas cylinder and remove the cylinder. Throughout this process, ensure that the cylinder is kept a minimum of 1 meter away from the oven to avoid ignition risks.
- Always turn off the gas cylinder after use.

APPLIANCE DETAILS:

NAME	MODEL DESIGNATION	COLOR	BURNERS	COUNTRY	GAS CATEGORY	OUTPUT	INJECTOR SIZE (mm)	HOSE
EKILN1	EKILN1GUS	Graphite	1	USA / CAN	ULPG 2740Pa	1*23600Btu/Hr	1.48	3.93ft / 1200mm
	EKILN1SUS	Stone						
	EKILN1TUS	Terracotta						
	EKILN2GUSNG	Graphite						
	EKILN2SUSNG	Stone						
	EKILN2TUSNG	Terracotta						
EKILN2	EKILN1GUS	Graphite	2		ULPG 2740Pa	1*23600Btu/Hr 1*1850Btu/Hr	1.48/0.4	3.93ft / 1200mm
	EKILN1SUS	Stone						
	EKILN1TUS	Terracotta						
	EKILN2GUSNG	Graphite						
	EKILN2SUSNG	Stone						
	EKILN2TUSNG	Terracotta						
				NG 1000Pa	1*22000Btu/Hr 1*1730Btu/Hr	2.42/0.60	6.67ft / 2000mm	

PRODUCT DETAILS	METRIC	EKILN1	EKILN2
Dimensions	mm	740 × 660 × 380	740 × 660 × 380
	inch	29.1 × 26.0 × 15.0	29.1 × 26.0 × 15.0
Weight	kg	26.5 / 33.3	29.2 / 35.0
	lbs	58.43 / 73.41	64.37 / 77.16

FOR PROPANE CYLINDER CONNECTION:

- To achieve the optimum performance from your appliance, an approved gas cylinder/ bottle must be used. The supplied hose and/or regulator must first be connected to the appliance inlet.
- Do not connect a gas cylinder/ bottle to a appliance that is not secured in the supplied stand or on a stable raised surface. The cylinder should be lower than the appliance, in a protected place on a stable surface.
- Before connecting the gas supply, take care that all gas control knobs are in the off position. Once connected, turn the regulator handle on to turn on the gas supply. Check all joints are secure.

NOTE: Only one gas cylinder should be stored on the stand at any one time.

LEAK TESTING

1. Make sure the gas control knob is Off and turn the cylinder valve **On**.
2. Check for leaking joints by brushing with a solution of half-liquid detergent and half-water. If a leak is present, bubbles will appear (or you may hear a hissing sound). Retightening connections can generally repair a leaking joint. You must also check the gas hose and connection at the gas cylinder. If a leak cannot be resolved, do not proceed and turn the gas cylinder/bottle valve off.

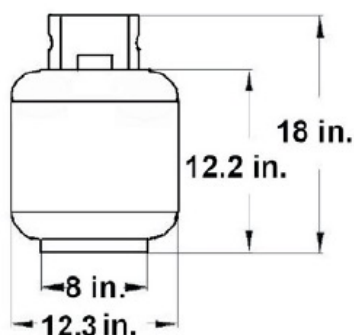


**DO NOT USE NAKED FLAME FOR LOCATING GAS LEAKS.
IF A LEAK PERSISTS CALL AN AUTHORIZED GAS FITTER.**

SPECIAL INSTRUCTIONS FOR THE USE OF REGULATOR AND PROPANE CYLINDER

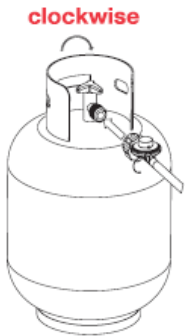
GAS HOOK-UP: Only the pressure regulator and hose assembly supplied with the appliance should be used. Any replacement pressure regulator and hose assembly must be specified by the appliance manufacturer. This appliance is configured for Liquid Propane. Do not use a Natural Gas supply.

LIQUID PROPANE CYLINDER REQUIREMENTS: (The LP cylinder must be a 20-lb). A dented or rusty Liquid Propane cylinder may be hazardous and should be checked by your supplier. Never use a cylinder with a damaged valve. The Liquid Propane cylinder must be constructed and marked in accordance with the specifications for Liquid Propane cylinders by the United States Department of Transportation (DOT) or the National Standard of Canada, CAN/CSA-B339, Cylinders, Spheres and Tubes for Transportation of Dangerous Goods Commission. The 20-lb cylinder must have a shut off valve terminating in a valve outlet specified, as applicable, for connection type QCC1 in the standard for compressed gas cylinder valve outlet and inlet connection ANSI/CGA-V-1. Storage of an outdoor cooking gas appliance indoor is permissible only if the cylinder is disconnected and removed from the outdoor cooking gas appliance. The cylinder system must be arranged for vapor withdrawal. The cylinder must include a collar to protect the cylinder valve. Manifold pressure: (operating) 11 inches water column (W.C.), (non-operating) 11.2 inches water column (W.C.). The Liquid Propane cylinder must be fitted with an Overfill Protection Device (OPD). Remove the plastic valve cover from the Liquid Propane cylinder is placed into the cart.



CONNECTING THE LIQUID PROPANE CYLINDER:

To connect the Liquid Propane gas supply cylinder: The cylinder valve should be in the “OFF” position. If not, turn the valve clockwise until it stops. Make sure the cylinder valve has the proper type-1 external male thread connections per ANSI Z211.81. Make sure the burner valves are in the “OFF” position. Inspect the valve connections, port and regulator assembly to the valve, and use your hand to tighten the nut clockwise until it stops. The use of a wrench could damage the quick coupling nut and result in a hazardous situation, open the cylinder valve fully by turning the valve anti-clockwise. Before lighting the appliance, use a soap and water solution to check all the connections for leaks. If a leak is found, turn the cylinder valve “OFF” and do not use the appliance until a local Liquid Propane dealer can make repairs.



WARNING:

1. Do not store a spare LP gas cylinder under or near this appliance.
2. Never fill the cylinder beyond 80 percent full.
3. If the information in items 1&2 is not followed exactly, a fire causing death or serious injury may occur.

CAUTION: Place dust cap on cylinder valve outlet whenever the cylinder is not in use. Only install the type of dust cap on the cylinder valve outlet that is provided with the cylinder valve. Other types of caps or plugs may result in leakage of propane.

OUTDOOR INSTALLATION GUIDE

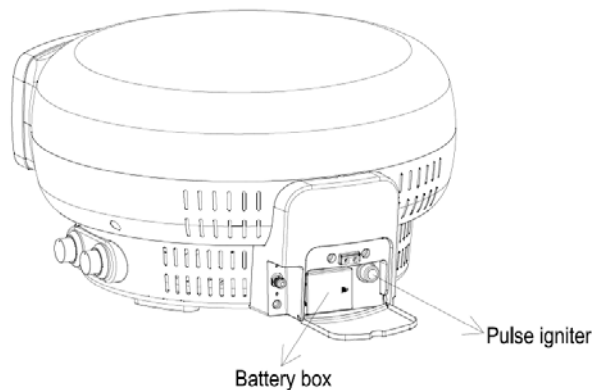
This appliance shall only be used in an above-ground open-air situation with natural ventilation, without stagnant areas, where gas leakage and products of combustion are rapidly dispersed by wind and natural convection. This appliance **must not** be used indoors. Do not use your appliance in garages, porches, sheds, or other enclosed areas. The appliance is not intended to be installed in or used on recreational vehicles (e.g., boats, trucks, and tents) and should not be placed close to or under any surfaces that will burn or are sensitive to heat. Do not block/ obstruct the flow of air and combustion around the appliance housing while in use.

Battery Installation:

Unscrew the pulse igniter cap to fit one new AA battery note the (+) and (-) marking and refit the cap.

KILN R Series - 2 Burner

Remove the battery compartment cover. Load a set of four new AA type batteries so that their plus (+) and minus (-) ends are facing as indicated by the markings. Refit battery compartment cover.

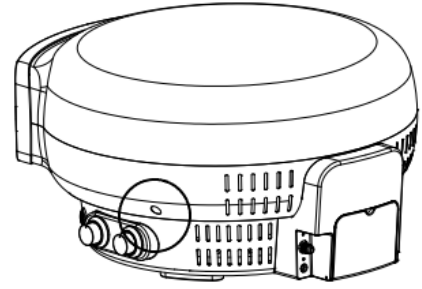


BOOST BURNER INSPECTION HOLE

ON



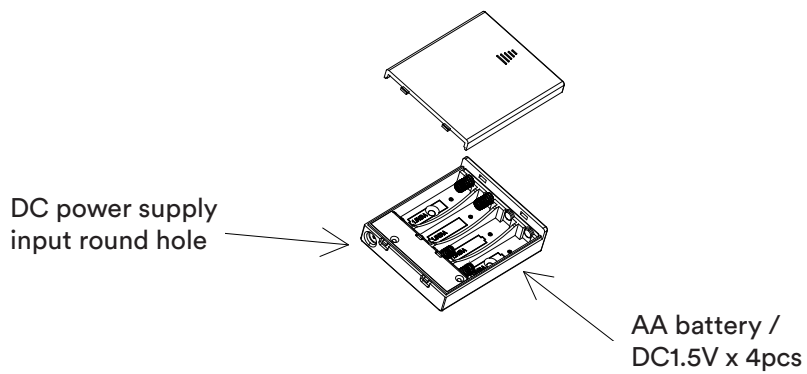
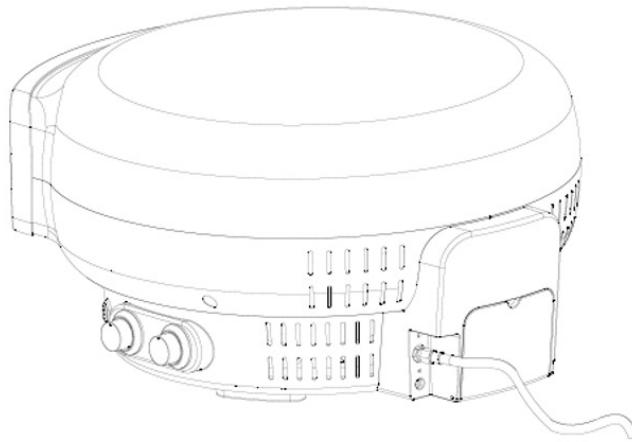
OFF



Visual inspection hole to check whether the boost burner flame is on or off.

FITTING GAS HOSE

1. Make sure the burner knob is turned off before connecting the gas hose.
2. Connect the gas hose to the appliance.



OPERATING INSTRUCTIONS:

Once your regulator is connected, open the gas from your gas cylinder.

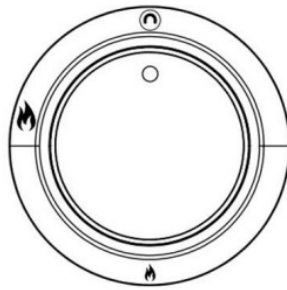
First-time use

It is highly recommended prior to cooking on your appliance for the first time that you conduct a burn-off. Turn the main burner on high for 30 minutes. Then turn off the main burner and let the oven cool down naturally. Once the appliance has cooled, use a paper towel to wipe the inside of the appliance to remove any soot from the burn-off.

Be careful the oven may still be hot in some places.

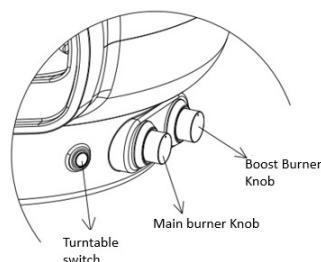
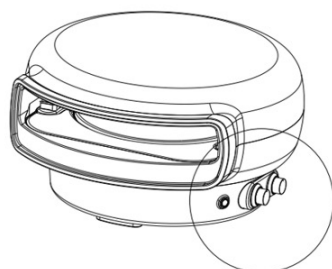
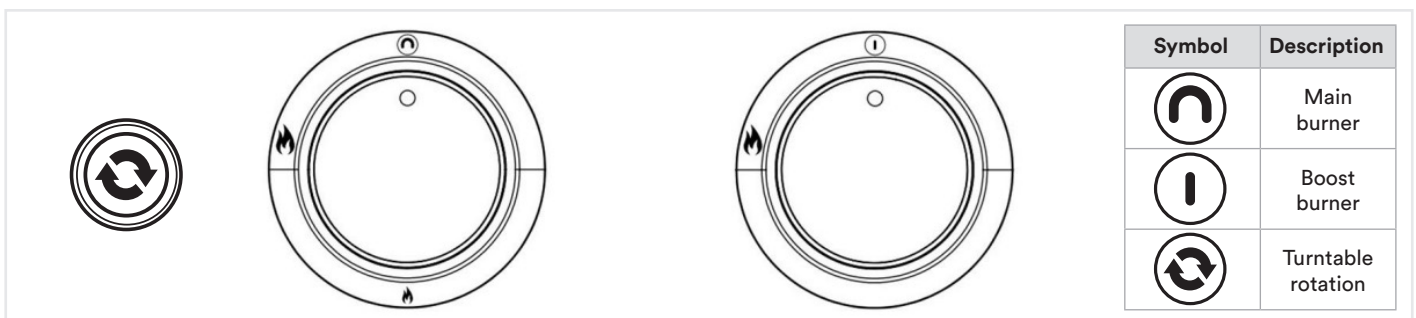
KILN S Series - 1 Burner

To ignite the burner, push the knob in and slowly turn it anti-clockwise until you hear a click of the ignition. This should take at least 8-10 seconds as you allow the gas to flow into the burner inside the appliance. Hold in for another 10 seconds after ignition, then release. Set the burner to your desired requirement. If the burner does not light, leave the knob at OFF and wait 5 minutes before trying again.



KILN R Series - 2 Burner

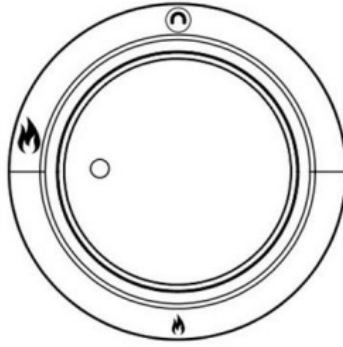
To ignite the burners, push the knob in and slowly turn it anti-clockwise until you hear a click of the ignition. This should take at least 8-10 seconds as you allow the gas to flow into the burner inside the appliance. Hold in for another 10 seconds after ignition, then release. Set the burner to your desired requirement. Press the button for the turntable to begin rotating inside the appliance. If the burner does not light, leave the knob at OFF and wait 5 minutes before retrying. **WARNING:** Do not leave the boost burner activated for an extended period of time without the turntable running, as this may cause damage to the stone.



COOKING HINTS AND TIPS KILN S SERIES - 1 BURNER

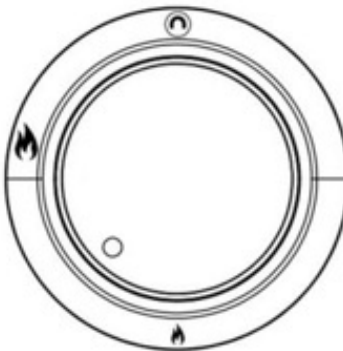
Preheating

Ignite the appliance and leave it on high for approx. 15 to 20min. This will give you enough time to heat the stone to your desired cooking temperature.



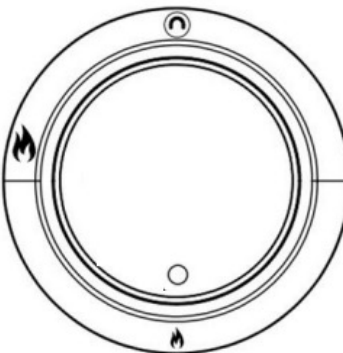
Cooking

When the appliance has reached your desired cooking temperature, turn the knob to halfway.



After cooking

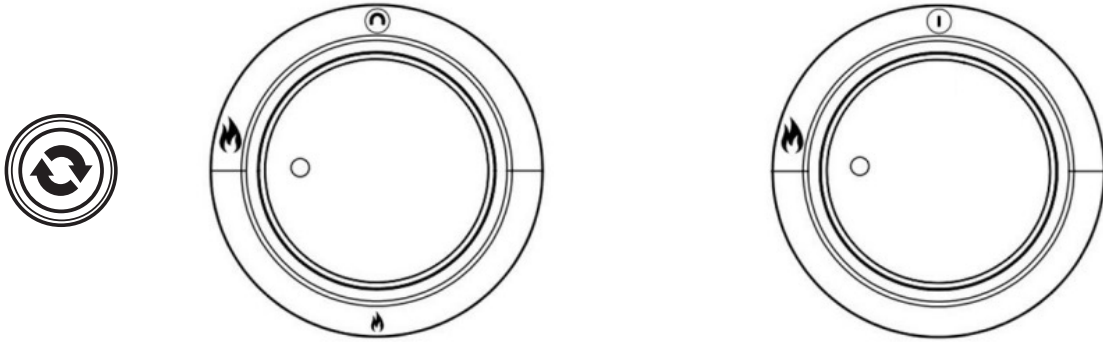
Once you have cooked on the appliance, just before you go to eat and if you are continuing to cook, turn the main burner down to the low setting. If you have finished cooking on the appliance, turn the main burner off. Running the appliance for an extended period of time with the main burner on the high setting could result in damage to your appliance.



COOKING HINTS AND TIPS KILN R SERIES - 2 BURNER

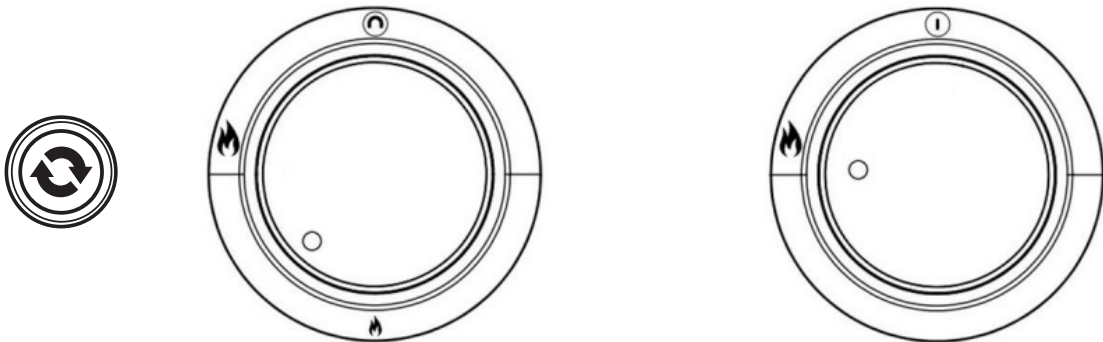
Preheating

Start the turntable by pressing the button. Ignite both burners and leave on high for approx. 10min. This will give you enough time to heat the stone to your desired cooking temperature. Note: the boost burner only has one setting. Don't leave the boost burner on without the turntable rotating.



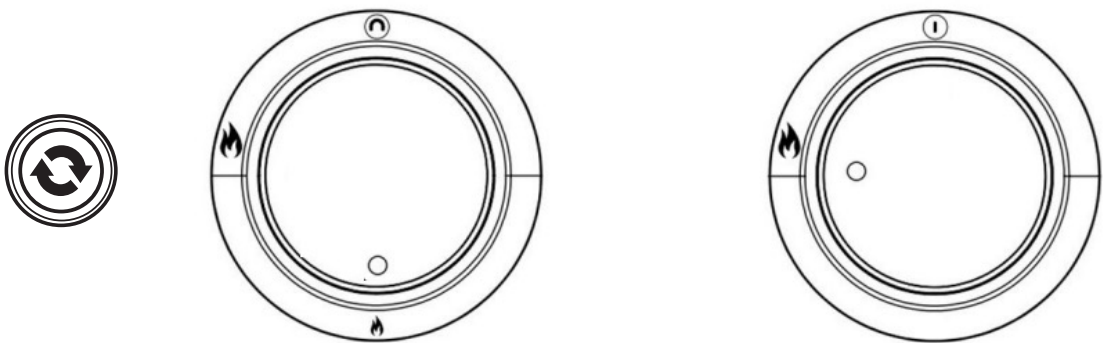
Cooking

When the appliance has reached your desired cooking temperature, turn the main burner knob to halfway.



After cooking

Once you have cooked on the appliance, just before you go to eat and if you are continuing to cook more, turn the main burner down to the low setting. If you have finished cooking on the appliance, turn both the main and boost burner off. Running the appliance for an extended period of time with the main burner on high setting could result in damage to your appliance.



CARE & MAINTENANCE:

EXTERNAL CLEANING

- Before cleaning the exterior, ensure the appliance has cooled and is safe to touch.
- Painted and plastic surfaces can be cleaned using a mild household detergent or cleaner and a clean cloth (do not use scourers or harsh detergents).
- It is advisable to test cleaners on a small section of the appliance first. **NEVER** use paint thinners or similar solvents for cleaning, and **NEVER** pour cold water over hot surfaces.
- Dry the surface afterwards.

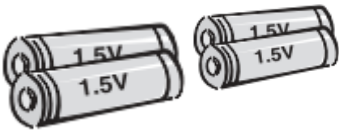
INTERNAL CLEANING

- Before cleaning the internal parts, ensure the appliance has cooled and is safe to touch.
- The inside of the appliance can be cleaned by using some water, mild detergent and a sponge or mild scouring pad.
- For hard-to-clean areas, use a little baking soda on a wet sponge. **DO NOT** use abrasive cleaners.

CORDIERITE PIZZA STONE CARE

- This pizza stone is designed to be used in the Everdure Kiln only.
- Only use water to clean the pizza stone. **DO NOT** submerge in water, using soap will leave residue in the pores of the stone.
- Take care of the pizza stone as it is fragile and could break if bumped or dropped.
- Be careful handling the pizza stone as it can retain heat for many hours after cooking.
- **DO NOT** cool the stone with water when the stone is hot; this could crack and damage the pizza stone.
- After cleaning the pizza stone with water, **thoroughly dry the stone before use.**

BATTERIES DO'S & DO NOT'S

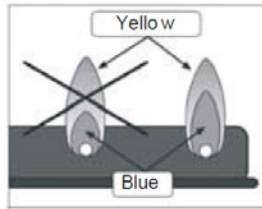


- Dispose of used batteries carefully to ensure that a small child does not consume them. **Please seek doctor - medical attention immediately** if batteries are consumed.
- **DO NOT** mix new batteries with old batteries. This may cause the batteries to overheat and leak.
- **DO NOT** place non-rechargeable batteries in a charging device.
- **DO NOT** disassemble, crush, puncture, or otherwise damage batteries. This can result in leakage or rupture.
- **DO** preserve battery life by switching off a device and removing the batteries when it's not being used and is not expected to be used for extended periods of time.
- **DO** use the specified type of battery (AA Batteries).
- **DO** insert the batteries properly. Follow the symbols showing the correct way to position the positive (+) and negative (-) ends of the batteries.
- **DO** immediately remove exhausted batteries from your device and dispose of them properly.

EVERDURE

CHECKING THE BURNERS FOR FLAME STABILITY:

Visually check the burner flames for correct function when the unit's operating by inspecting the burner flame/flames with the stone (EKILN R Series - 2 burner only) removed. A good flame should be blue with some yellow tipping.



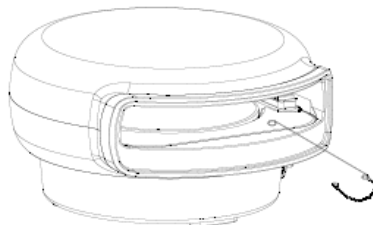
Note: take care when viewing the burner operation not to lean into the flame; failure to do this may result in personal injury.

MANUAL IGNITION:

In the instance where the automatic ignition fails, the product can be lit with the provided matchstick holder.

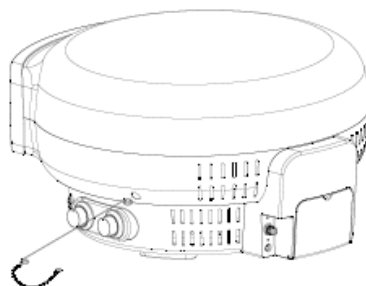
MAIN BURNER:

Using the matchstick holder, carefully ignite the main burner as shown below.



BOOST BURNER:

Using the matchstick holder, carefully ignite the lower burner through the lower burner viewing port. This is only applicable to boost burner models.



TROUBLESHOOTING:

Burner will not ignite when using the igniter:

Cylinder valve is not on	Turn cylinder valve on
Cylinder is empty	Replace with a full cylinder
Igniter button is not working	Check battery
Igniter is not sparking	Contact the Service Centre

Burner flame is erratic:

Flame is burning inside burner (hissing sound)	Turn off burner, allow to cool and re-ignite
Regulator is faulty	Contact the Service Centre
Injector is partially blocked	Clean injector with a toothbrush. Do not drill out or use wire. Do not remove the injector. Contact the Service Centre

Gas is leaking from connections:

Connections are loose	Tighten loose connections (do not over-tighten) and leak test under pressure with a soapy water solution (page 2)
Hose has deteriorated	Replace hose (Contact the Service Centre)
Gas valve is faulty	Contact the Service Centre
Threads are damaged	Contact the Service Centre

Turntable not working:

Turntable not turning	<p>Check that the power cord from the power adaptor is connected correctly and that the power is on at the main power board.</p> <p>Check if batteries are fitted and are properly installed in the battery compartment.</p> <p>Check if batteries are full of charge and replace if needed.</p>
Turntable is broken	Contact the Service Centre
Switch or wiring damaged	Contact the Service Centre

SPECIFICATIONS:

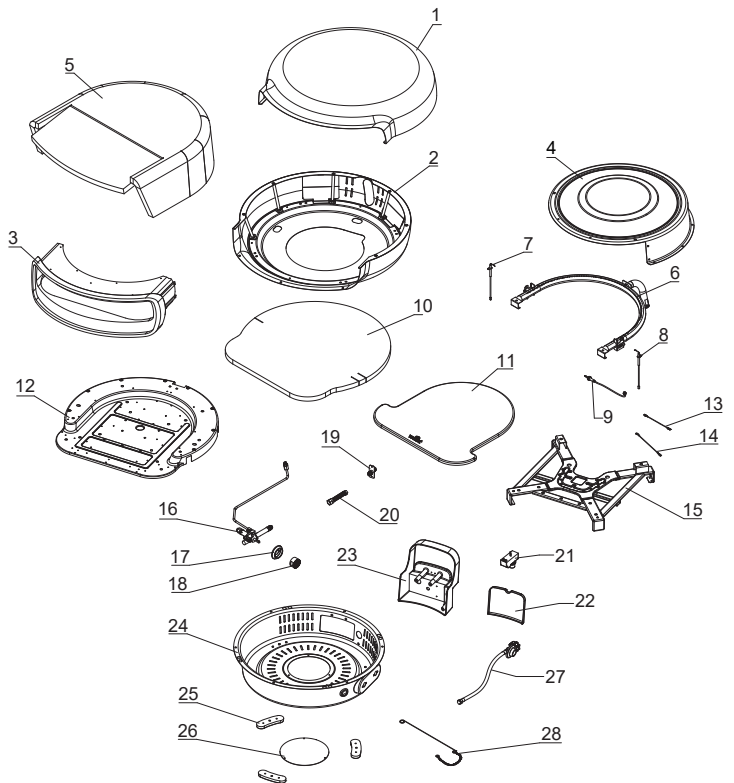
PRODUCT	1 BURNER	2 BURNER
Dimensions (mm)	740 × 660 × 380 (mm)	740 × 660 × 380 (mm)
	29.1 × 26.0 × 15.0 (inch)	29.1 × 26.0 × 15.0 (inch)
Weight NW / GW	26.5 / 33.3 (kg)	29.2 / 35.0 (kg)
	58.43 / 73.41(lbs)	64.37 / 77.16 (lbs)
Turntable RPM using the adapter supplied	N/A	2.5 rpm

Power supply KILN R Series - 2 Burner

MODEL	SPECIFICATION	REMARK
USA / CAN	Model: GA-0301000 Input: AC 100~240V ~50/60Hz 0.6A Output: 3.0V 1000mA	With plug round hole which match-up with DC005 / 5.5*2.1 pin

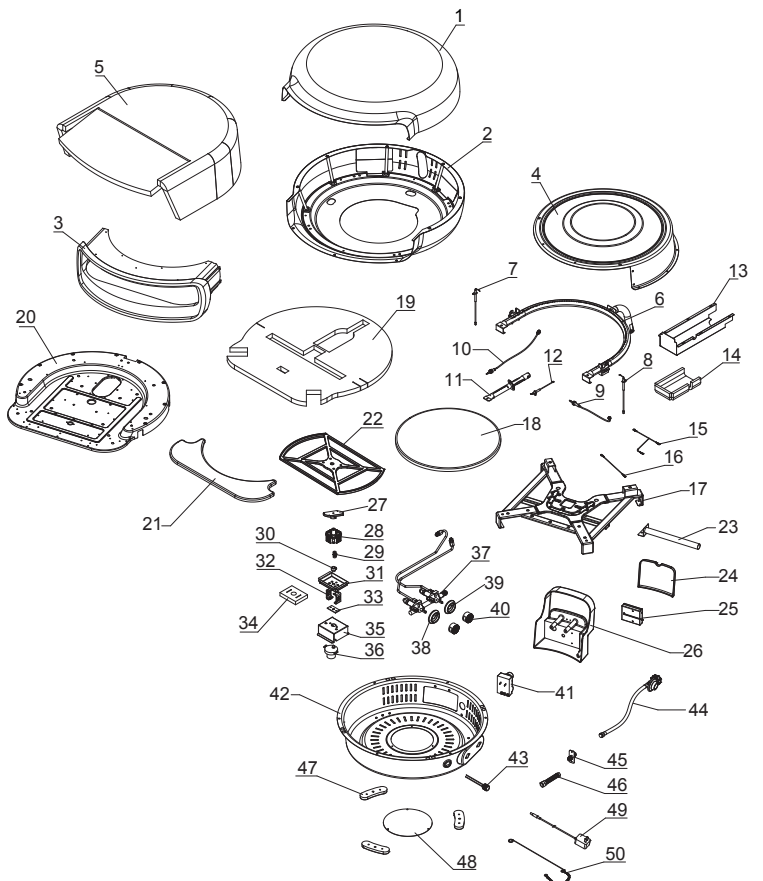
KILN S SERIES - 1 BURNER

NO.	PART NAME	NO.	PART NAME
1	Upper lid	15	Base welding bracket
2	Lower outer housing	16	1B Valve assembly
3	Aluminum fascia	17	Bezel of main burner
4	Inner firebox	18	Knob
5	Insulation of inner firebox	19	Gas inlet connector
6	SS main burner	20	Corrugated pipe
7	Ignition pin I	21	Pulse igniter
8	Ignition pin II	22	Rear cover
9	Upper thermocouple	23	Aluminum rear seat
10	Insulation of base	24	Control box
11	T shape pizza stone	25	PP foot
12	Base assembly	26	Bottom cover
13	Pulse igniter wire I	27	USA regulator
14	Pulse igniter wire II	28	Match holder



KILN R SERIES - 2 BURNER

NO.	PART NAME	NO.	PART NAME
1	Upper lid	26	Aluminum rear seat
2	Lower outer housing	27	SS support plate
3	Aluminum fascia	28	Bearing support
4	Inner firebox	29	Cardan joint
5	Insulation of inner firebox	30	Motor coupling
6	SS main burner	31	Motor base heat shield
7	Ignition pin I	32	Inner bracket
8	Ignition pin II	33	Aluminum limit plate
9	Upper thermocouple	34	Insulation of motor
10	Lower thermocouple	35	Motor inner cover
11	Boost burner	36	DC motor
12	Lower ignition pin	37	2B Valve assembly
13	Lower heat shield	38	Bezel of main burner
14	Insulation of boost burner	39	Bezel of boost burner
15	Pulse igniter wire I	40	Knob
16	Pulse igniter wire II	41	Pulse igniter
17	Base welding bracket	42	Control box
18	16" Round pizza stone	43	Rotary button
19	Insulation of base	44	USA regulator
20	Base assembly	45	Gas inlet connector
21	Front pizza stone	46	Corrugated pipe
22	Cast iron turntable	47	PP foot
23	Flame viewing pipe	48	Bottom cover
24	Rear cover	49	USA adapter
25	Battery box	50	Match holder



Français

CONTENU

Consignes de sécurité importantes.....	19
Informations techniques.....	19
Guide d'installation en extérieur.....	21
Consignes d'utilisation.....	23
Trucs et astuces de cuisson KILN Série S - 1 Brûleur.....	24
Trucs et astuces de cuisson KILN Série R - 2 Brûleurs.....	25
Nettoyage et entretien.....	26
Dépannage.....	28
Caractéristiques.....	29

Grade; Dans ce manuel d'instructions, le four Everdure sera appelé un appareil.



**1 BURNER
GRAPHITE**
EKILN1GUS
EKILN1GUSNG



**1 BURNER
CALCUL**
EKILN1SUS
EKILN1SUSNG



**1 BURNER
TERRE CUITE**
EKILN1TUS
EKILN1TUSNG



**2 BURNER
GRAPHITE**
EKILN2GUS
EKILN2GUSNG



**2 BURNER
CALCUL**
EKILN2SUS
EKILN2SUSNG



**2 BURNER
TERRE CUITE**
EKILN2TUS
EKILN2TUSNG



AVERTISSEMENT

AVERTISSEMENT DE LA PROPOSITION DE CALIFORNIE

(a) La manipulation du matériau en laiton de ce produit vous expose au plomb, un produit chimique reconnu par l'État de Californie comme provoquant des cancers et des anomalies congénitales ou d'autres troubles de la reproduction. Lavez-vous les mains après avoir manipulé le produit.

(b) Ce produit contient des produits chimiques, notamment du plomb et des composés, un produit chimique reconnu par l'État de Californie comme provoquant des cancers, des troubles de la reproduction ou d'autres anomalies congénitales.

(c) Avertissement concernant le propane : les carburants utilisés dans les appareils à gaz propane liquéfié et les produits de combustion de ces carburants peuvent vous exposer à des produits chimiques, notamment le benzène, reconnu par l'État de Californie pour causer le cancer et provoquer des malformations congénitales ou d'autres troubles de la reproduction.

(d) Lavez-vous les mains après avoir utilisé le produit.

Pour en savoir plus, rendez-vous sur : www.P65warnings.ca.gov

* Tous les produits, spécifications et données sont susceptibles d'être modifiés sans préavis pour améliorer la fiabilité, la fonction, la conception ou autre.



DANGER

Si vous sentez une odeur de gaz :

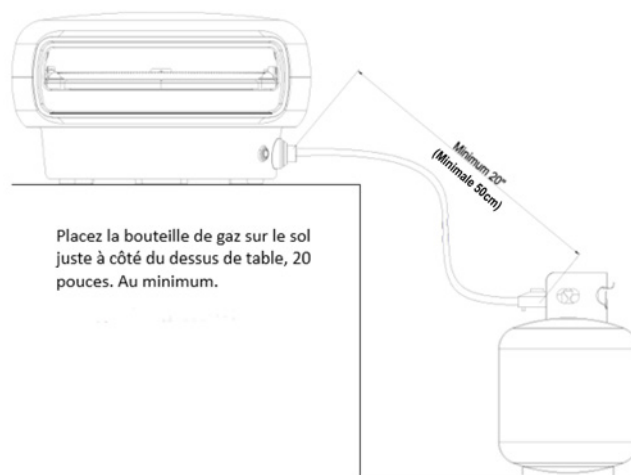
- Arrêtez immédiatement d'utiliser l'appareil.
- Éteignez toute flamme.
- Si l'odeur persiste, tenez-vous éloigné de l'appareil et appelez immédiatement les pompiers.

Le non-respect de cette consigne peut entraîner un incendie ou une explosion, susceptible de provoquer des dommages matériels, des blessures ou la mort.



DANGER

- Ne faites jamais fonctionner cet appareil sans surveillance.
- Cet appareil ne doit pas être placé ou utilisé sous une construction aérienne combustible non protégée.
- Cet appareil doit toujours être placé à plus de 3,0 m (10 pi) d'une structure, d'un matériau combustible ou d'une bouteille de gaz.
- Cet appareil doit toujours être placé à plus de 7,5 m (24,5 pi) d'un liquide inflammable.
- En cas d'incendie, tenez-vous éloigné de l'appareil et appelez immédiatement les pompiers. N'essayez pas d'éteindre un feu d'huile ou de graisse avec de l'eau.



Placez la bouteille de gaz sur le sol juste à côté du dessus de table, 20 pouces. Au minimum.

Vérifiez toujours l'étanchéité du tuyau de gaz et du régulateur avant de les utiliser. En cas de signes d'abrasion, d'usure, de coupures ou de fuites, le tuyau doit être remplacé avant la mise en marche de l'appareil. Le tuyau de remplacement doit être identique à celui spécifié par le fabricant.

Cet appareil n'est pas destiné à un usage commercial.

Les appareils de cuisson doivent être conformes aux codes locaux ou, en l'absence de codes locaux, au *National Fuel Gas Code, ANSI Z223.1/NFPA 54, Storage and Handling of Liquefied Petroleum Gases, ANSI/NFPA 58* ; ou *Code d'installation du gaz naturel et du propane, CSA B149.1* ; *Code sur le stockage et manutention du propane, CSA B149.2* ; ou la norme pour les véhicules récréatifs, *ANSI A119.2/NFPA 1192* ; et le *Code des véhicules récréatifs, CSA Z240 Série RV, selon le cas.*

Lors de l'utilisation de l'adaptateur électrique, l'appareil doit être mis à la terre conformément aux codes locaux ou, en l'absence de codes locaux, au *National Electrical Code, ANSI/NFPA 70*, ou au *Code canadien de l'électricité CSA C22:1.*

Conservez le cordon d'alimentation électrique et le tuyau d'alimentation en carburant éloignés des surfaces chaudes/chauffées.

Le appareil être éloigné d'au moins 0,30 m (1 pi) de toute surface murale combustible.

LORS DE L'UTILISATION ET DE LA CUISSON DANS VOTRE EVERDURE KILN FOUR

Ne PAS laisser le brûleur principal au réglage ÉLEVÉ pendant plus de 30 minutes après l'allumage. Veuillez vous référer à la page ASTUCES et ASTUCES DE CUISSON POUR LA SÉRIE S/R DU FOUR dans le manuel d'instructions pour les instructions de préchauffage, de cuisson et après la cuisson.

CONSIGNES DE SÉCURITÉ IMPORTANTES :

Ce manuel d'instructions contient des informations importantes nécessaires au montage correct et à l'utilisation en toute sécurité de l'appareil. Veuillez lire et respecter l'ensemble des avertissements et instructions avant d'assembler et d'utiliser l'appareil. Respectez l'ensemble des avertissements et des instructions lorsque vous utilisez l'appareil.

Veuillez conserver ce manuel pour toute référence ultérieure.



N'UTILISEZ PAS cet appareil avant d'avoir lu les instructions d'utilisation.

NE PLACEZ PAS d'articles sur ou contre cet appareil.

NE CONSERVEZ PAS de produits chimiques, de matériaux inflammables ou de bombes aérosol à proximité de cet appareil.

N'UTILISEZ PAS cet appareil à l'intérieur.

- **ATTENTION** : les pièces du appareil peuvent être très chaudes !
- Uniquement pour une utilisation en extérieur.
- Gardez en tout temps les enfants loin de l'appareil.
- Ne déplacez pas l'appareil pendant l'utilisation.
- Coupez l'alimentation en gaz de la bouteille de gaz après avoir utilisé l'appareil.
- Ne modifiez pas l'appareil.
- Les pièces d'origine scellées du fabricant ne peuvent pas être manipulées par l'utilisateur.
- Portez toujours des gants de protection lorsque vous manipulez des composants chauds.
- Le stockage d'un appareil à l'intérieur n'est autorisé que si la bouteille est débranchée et retirée de l'appareil. Lorsque l'appareil n'est pas utilisé pendant un certain temps, il doit être stocké dans son emballage d'origine dans un environnement sec et sans poussière.
- **ATTENTION** : le nettoyage et l'entretien ne doivent être effectués que lorsque le appareil a complètement refroidi et lorsque la bouteille de gaz est déconnectée.
- **AVANT UTILISATION, VÉRIFIEZ L'ABSENCE DE FUITE SUR APPAREIL ET LES CONNEXIONS** : ne cherchez jamais les fuites avec une flamme nue, utilisez toujours une solution d'eau savonneuse. Test d'étanchéité : faites un test d'étanchéité à la recherche de fuite à chaque fois qu'une nouvelle bouteille de gaz est raccordée ou après une longue période sans avoir utilisé le appareil. Assurez-vous que le robinet est correctement aligné. Assurez-vous que le tuyau ne présente pas de fissures et qu'il n'est pas fendu.



IMPORTANT : si la fuite de gaz ne peut pas être arrêtée, coupez l'alimentation en gaz et contactez votre fournisseur de bouteille de gaz ou les pompiers.

- Lors du remplacement de la bouteille de gaz, assurez-vous que le appareil est en position OFF (Arrêt). Débranchez le régulateur de la bouteille de gaz et retirez la bouteille. Pendant cette procédure, assurez-vous de garder la bouteille de gaz à plus d'un mètre du appareil pour éviter tout risque d'inflammation.
- Fermez toujours la bouteille de gaz après utilisation.

INFORMATIONS TECHNIQUES :

Remarque : le diamètre de l'injecteur est estampé sur les côtés de l'hexagone (105 = injecteur de Ø1,05 mm).

NOM	DÉSIGNATION DU MODÈLE	COULEUR	BRÛLEURS	PAYS	TYPES DE GAZ	SORTIE	TAILLE DE L'INJECTEUR (MM)	TUYAU
EKILN1	EKILN1GUS	Graphite	1	USA / CAN	ULPG 2740Pa	1*23600Btu/Hr	1.48	2.93ft / 1200mm
	EKILN1SUS	Calcul						
	EKILN1TUS	Terre cuite						
	EKILN2GUSNG	Graphite			NG 1000Pa	1*22000Btu/Hr	2.42	6.67ft / 2000mm
	EKILN2SUSNG	Calcul						
	EKILN2TUSNG	Terre cuite						
EKILN2	EKILN1GUS	Graphite	2	USA / CAN	ULPG 2740Pa	1*23600Btu/Hr 1*1850Btu/Hr	1.48/0.4	2.93ft / 1200mm
	EKILN1SUS	Calcul						
	EKILN1TUS	Terre cuite						
	EKILN2GUSNG	Graphite			NG 1000Pa	1*22000Btu/Hr 1*1730Btu/Hr	2.42/0.60	6.67ft / 2000mm
	EKILN2SUSNG	Calcul						
	EKILN2TUSNG	Terre cuite						

DÉTAILS DU PRODUIT	UNITÉ DE MESURE	EKILN1	EKILN2
Dimensions	mm	740 × 660 × 380	740 × 660 × 380
	pouce	29.1 × 26.0 × 15.0	29.1 × 26.0 × 15.0
Poids	kg	26.5 / 33.3	29.2 / 35.0
	livres	58.43 / 73.41	64.37 / 77.16

BRANCHEMENT DE LA BOUTEILLE DE PROPANE :

- Pour obtenir des performances optimales de votre appareil, vous devez utiliser une bouteille de gaz homologuée. Le tuyau et/ou le régulateur fournis doivent d'abord être raccordés au port d'alimentation du appareil.
- Ne raccordez pas une bouteille de gaz à un appareil qui n'est pas fixé sur le support fourni ou sur une surface surélevée stable. La bouteille doit être plus basse que le appareil, dans un endroit protégé sur une surface stable.
- Avant de raccorder l'alimentation en gaz, veillez à ce que tous les boutons de commande du gaz soient sur la position OFF (Arrêt). Une fois le raccordement effectué, tournez la poignée du régulateur sur la position ON (Marche) pour ouvrir l'alimentation en gaz. Vérifiez que tous les joints sont bien serrés.

REMARQUE : une seule bouteille de gaz à la fois peut être stockée sur le support.

TEST D'ÉTANCHÉITÉ

1. Assurez-vous que le bouton de commande du gaz est sur la position OFF (Arrêt) puis mettez le robinet de la bouteille de gaz sur la position ON (Marche).
2. Vérifiez l'étanchéité des joints en les brossant avec une solution composée pour moitié de détergent liquide et pour moitié d'eau. En cas de fuite, des bulles apparaîtront (ou vous entendrez un sifflement). Resserrer les raccords suffit généralement pour réparer un joint qui fuit. Vous devez également vérifier le tuyau de gaz et le raccord au niveau de la bouteille de gaz. Si vous n'arrivez pas à régler le problème de fuite, ne continuez pas et fermez le robinet de la bouteille de gaz.



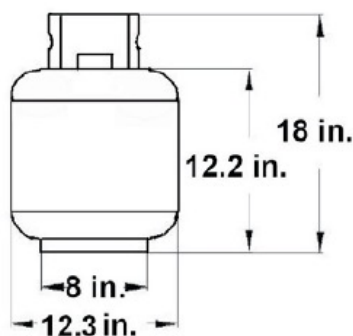
N'UTILISEZ PAS DE FLAMME NUE POUR LOCALISER LES FUITES DE GAZ.

SI LA FUIITE PERSISTE, APPELÉZ UN INSTALLATEUR DE GAZ AGRÉÉ.

INSTRUCTIONS SPÉCIALES POUR L'UTILISATION DU RÉGULATEUR ET DE LA BOUTEILLE DE PROPANE

RACCORDEMENT DE LA BOUTEILLE DE GAZ : utilisez uniquement le régulateur de pression et le tuyau fournis avec le appareil. Tout régulateur de pression et tuyau de remplacement doivent être agréés par le fabricant du appareil. Ce appareil est conçu pour fonctionner avec du propane liquide. N'utilisez pas d'alimentation en gaz naturel.

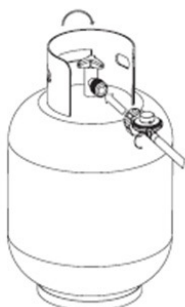
EXIGENCES RELATIVES AUX BOUTEILLES DE PROPANE LIQUIDE : (la bouteille de propane liquide doit être une bouteille de 20 lb/9 kg). Une bouteille de propane liquide cabossée ou rouillée peut être dangereuse et doit être inspectée par votre fournisseur. N'utilisez jamais une bouteille dont le robinet est endommagé. La bouteille de propane liquide doit être fabriquée et marquée conformément aux spécifications relatives aux bouteilles de propane liquide du Ministère des Transports des États-Unis (Department of Transportation, DOT) ou de la norme nationale du Canada CAN/CSA-B339, Bouteilles à gaz cylindriques et sphériques et tubes pour le transport des marchandises dangereuses. La bouteille de 20 lb/9 kg doit être munie d'un robinet d'arrêt se terminant par une sortie de robinet spécifiée, le cas échéant, pour le type de raccordement QCC1 dans la norme pour le raccordement de la sortie et de l'entrée de robinet de bouteille de gaz comprimé ANSI/CGA-V-1. Le stockage d'un appareil de cuisson extérieur à gaz à l'intérieur n'est autorisé que si la bouteille est déconnectée et retirée de l'appareil de cuisson extérieur à gaz. Le système de la bouteille doit être conçu pour l'extraction de la vapeur. La bouteille doit être équipée d'un collier pour protéger le robinet de la bouteille. Pression du collecteur : (en fonctionnement) colonne d'eau de 11 pouces, (hors fonctionnement) colonne d'eau de 11,2 pouces. La bouteille de propane liquide doit être équipée d'un dispositif anti-débordement. Retirez le couvercle du robinet en plastique de la bouteille de propane liquide placée dans le chariot.



RACCORDEMENT DE LA BOUTEILLE DE PROPANE LIQUIDE :

Pour connecter la bouteille d'alimentation en gaz propane liquide, le robinet de la bouteille doit être en position OFF (Arrêt). Si tel n'est pas le cas, tournez le robinet dans le sens des aiguilles d'une montre jusqu'à ce qu'il s'arrête. Assurez-vous que le robinet de la bouteille est équipé de raccords à filetage mâle externe de type 1, conformément à la norme ANSI Z211.81. Assurez-vous que les vannes du brûleur sont en position OFF (Arrêt). Inspectez les raccords du robinet, le port et le régulateur de la valve, serrez l'écrou à la main dans le sens des aiguilles d'une montre jusqu'à ce qu'il s'arrête. L'utilisation d'une clé peut endommager l'écrou de raccord rapide et entraîner une situation dangereuse. Ouvrez complètement le robinet de la bouteille en le tournant dans le sens inverse des aiguilles d'une montre. Avant d'allumer l'appareil, utilisez une solution d'eau et de savon pour vérifier l'étanchéité de tous les raccords. Si une fuite est détectée, fermez le robinet de la bouteille (position OFF - Arrêt) et n'utilisez pas le appareil avant qu'un fournisseur local de propane liquide n'ait procédé aux réparations.

sens des aiguilles
d'une montre



AVERTISSEMENT :

1. Ne stockez pas de bouteille de propane liquide de recharge sous ou à proximité de l'appareil.
2. Ne remplissez jamais la bouteille au-delà de 80 % de sa capacité.
3. Si les instructions des points 1 et 2 ne sont pas suivies à la lettre, un incendie pouvant entraîner la mort ou des blessures graves peut se produire.

ATTENTION : placez un capuchon anti-poussière sur la sortie du robinet de la bouteille lorsque celle-ci n'est pas utilisée. Utilisez uniquement le modèle de capuchon anti-poussière fourni avec la bouteille sur la sortie du robinet. Tout autre type de capuchon ou de bouchon peut occasionner des fuites de propane.

GUIDE D'INSTALLATION EN EXTÉRIEUR

Cet appareil peut être utilisé uniquement en plein air, en hauteur, dans un lieu avec une ventilation naturelle et sans zones stagnantes, où les fuites de gaz et les produits de la combustion peuvent être rapidement dispersés par le vent et la convection naturelle.

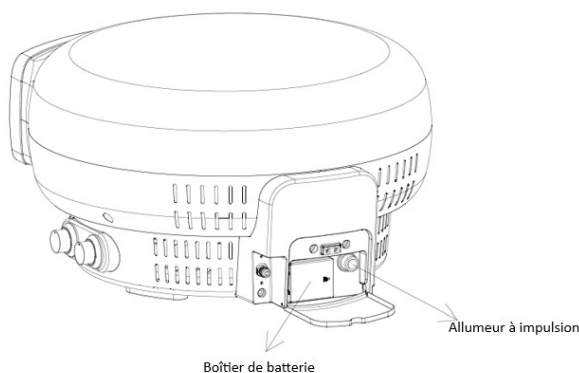
Cet appareil **ne doit pas** être utilisé à l'intérieur. N'utilisez pas votre appareil dans un garage, sous un porche, dans une remise ou tout autre espace clos. Le appareil n'est pas destiné à être installé ou utilisé sur des véhicules récréatifs (bateaux, camions, ou tentes) et ne peut être placé près ou sous une surface susceptible de brûler ou sensible à la chaleur. Ne bloquez et n'obstruez pas l'alimentation en air et le produit de combustion autour du appareil lorsqu'il est utilisé.

Mise en place de la batterie :

Dévisser le capuchon de l'allumeur à impulsions installer une nouvelle pile AA notez les repères (+) et (-) remettez le capuchon en place.

KILN série R - 2 brûleurs

Retirez le couvercle du compartiment à piles. Insérez un jeu de quatre piles neuves de type « AA » de manière à ce que leurs extrémités plus (+) et moins (-) soient orientées comme indiqué par les marques. Remettre le couvercle du compartiment à.

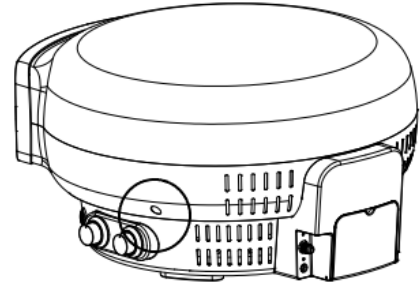


TROU D'INSPECTION DU BRÛLEUR D'APPOINT

SUR



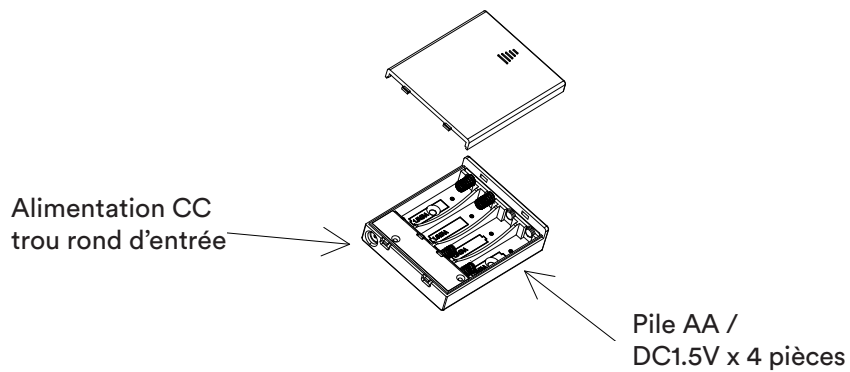
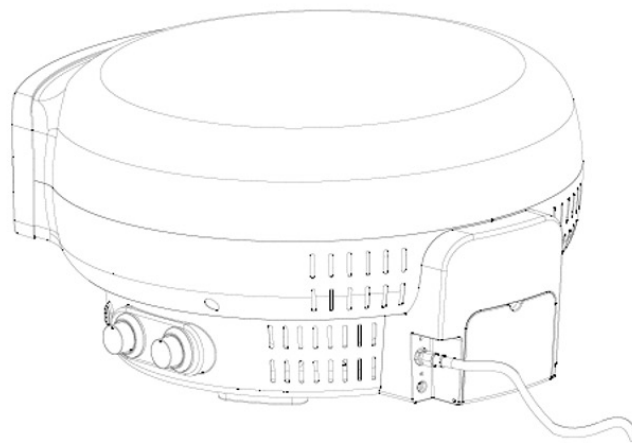
DÉSACTIVÉ



Trou d'inspection visuelle pour vérifier si la flamme du brûleur d'appoint est allumée ou éteinte.

RACCORD DE TUYAU DE GAZ

1. Assurez-vous que le bouton du brûleur est en position OFF (Arrêt) avant de raccorder le tuyau de gaz.
2. Raccordez le tuyau de gaz au appareil.



CONSIGNES D'UTILISATION :

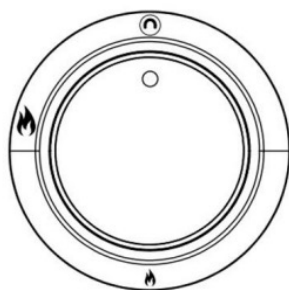
Lorsque le régulateur est connecté, ouvrez l'arrivée de gaz de votre bouteille de gaz.

Première utilisation

Avant de cuisiner sur votre appareil pour la première fois, il est fortement recommandé d'effectuer un brûlage. Allumez le brûleur principal à feu élevé pendant 30 minutes. Veuillez ensuite éteindre le brûleur principal et laisser le four refroidir naturellement. Une fois l'appareil refroidi, veuillez utiliser une serviette en papier pour essuyer l'intérieur de l'appareil afin d'éliminer la suie de la combustion. **Attention, le four peut être encore chaud à certains endroits.**

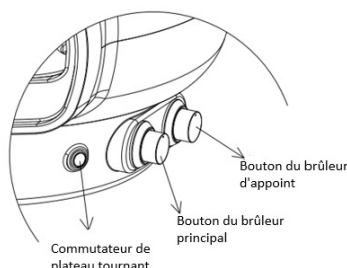
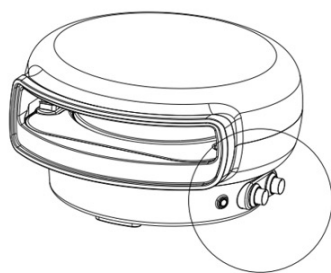
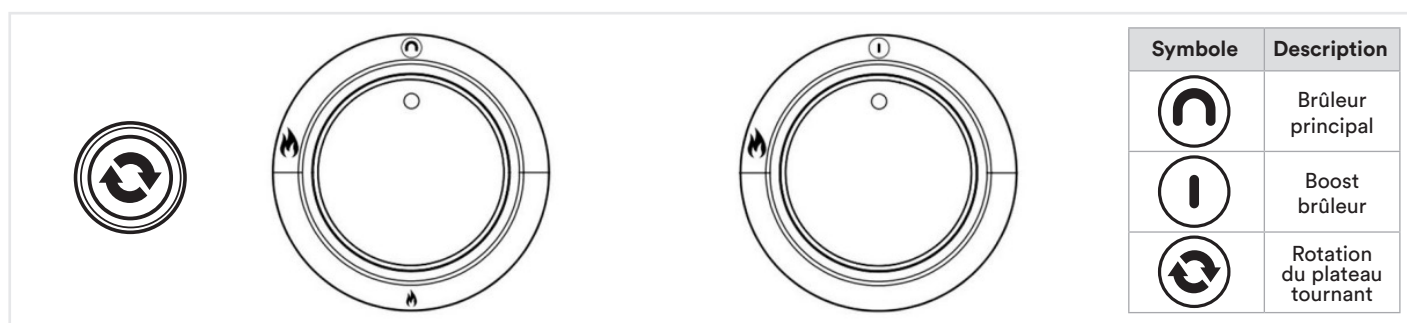
KILN Série S - 1 Brûleur

Pour allumer le brûleur, veuillez enfoncer le bouton et tourner lentement dans le sens inverse des aiguilles d'une montre jusqu'à ce que vous entendiez un déclic d'allumage. Cela devrait prendre au moins 8 à 10 secondes pendant que vous laissez le gaz s'écouler dans le brûleur à l'intérieur de l'appareil. Maintenez enfoncé pendant encore 10 secondes après l'allumage, puis relâchez. Réglez le brûleur selon les besoins souhaités. Si le brûleur ne s'allume pas, laissez le bouton sur OFF et attendez 5 minutes avant de réessayer.



KILN série R - 2 brûleurs

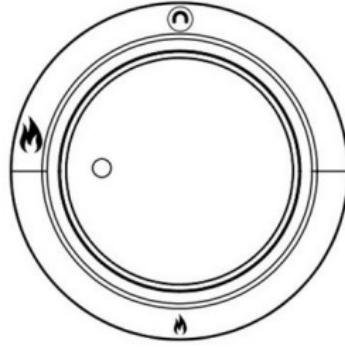
Pour allumer les brûleurs, veuillez enfoncer le bouton et tourner lentement dans le sens inverse des aiguilles d'une montre jusqu'à ce que vous entendiez un déclic d'allumage. Cela devrait prendre au moins 8 à 10 secondes pendant que vous laissez le gaz s'écouler dans le brûleur à l'intérieur de l'appareil. Maintenez enfoncé pendant encore 10 secondes après l'allumage, puis relâchez. Réglez le brûleur selon vos besoins. Appuyez sur le bouton pour que le plateau tournant commence à tourner à l'intérieur de l'appareil. Si le brûleur ne s'allume pas, laissez le bouton sur OFF et attendez 5 minutes avant de réessayer. **AVERTISSEMENT** : Ne laissez pas le brûleur Boost activé pendant une période prolongée sans que le plateau tournant ne tourne, car cela pourrait endommager la pierre à pizza.



TRUCS ET ASTUCES DE CUISSON FOUR SÉRIE S - 1 BRÛLEUR

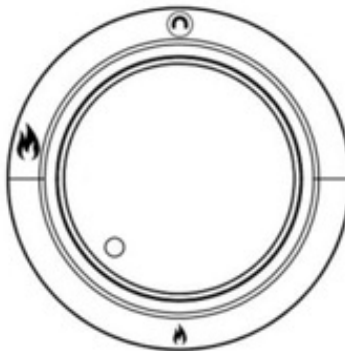
Préchauffage

Allumer l'appareil et laisser à feu vif pendant env. 15 à 20 min, cela laissera suffisamment de temps pour chauffer la pierre à la température de cuisson souhaitée.



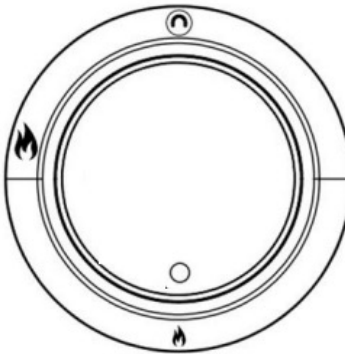
Cuisson

Lorsque l'appareil a atteint la température de cuisson souhaitée, tournez le bouton à mi-course.



Après la cuisson

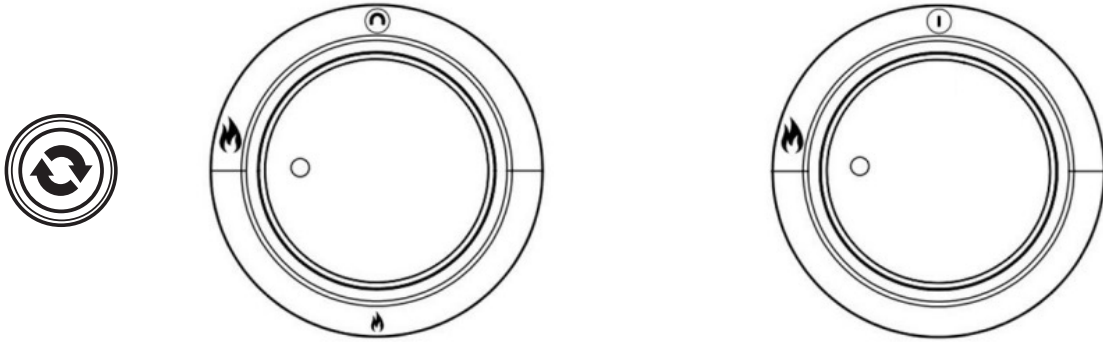
Une fois que vous avez cuisiné sur l'appareil, juste avant d'aller manger et si vous continuez à cuisiner davantage, veuillez baisser le brûleur principal au réglage bas. Si vous avez fini de cuisiner sur l'appareil, veuillez éteindre le brûleur principal. Faire fonctionner l'appareil pendant une période prolongée avec le brûleur principal à réglage élevé pourrait endommager votre appareil.



TRUCS ET ASTUCES DE CUISSON KILN SÉRIE R - 2 BRÛLEURS

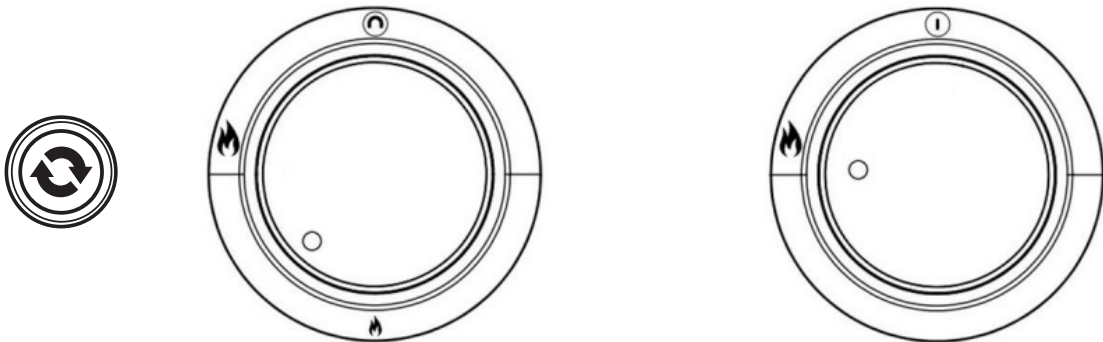
Préchauffage

Allumez le plateau tournant. allumer les deux brûleurs laisser en haut pendant env. 10min, cela donnera suffisamment de temps pour chauffer la pierre à la température de cuisson souhaitée. Remarque Le brûleur Boost n'a qu'un seul réglage. Ne laissez pas le brûleur d'appoint allumé sans rotation du plateau tournant.



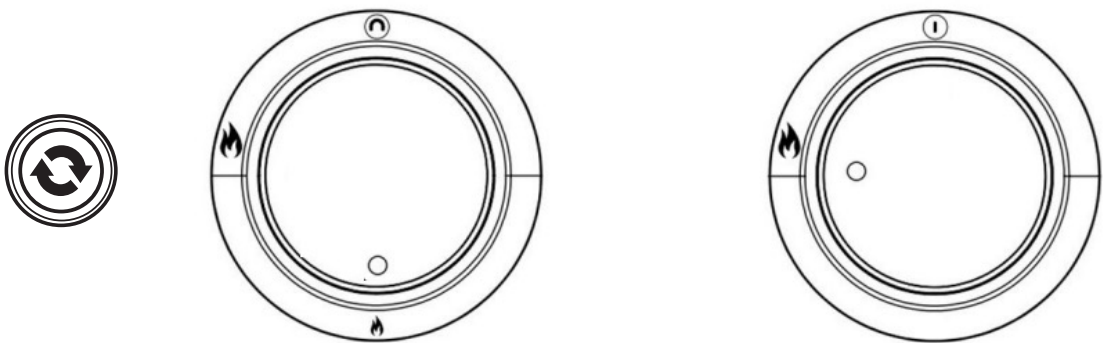
Cuisson

Lorsque l'appareil a atteint la température de cuisson souhaitée, tournez le bouton du brûleur principal à mi-course.



Après la cuisson

Une fois que vous avez cuisiné sur l'appareil, juste avant d'aller manger et si vous continuez à cuisiner davantage, veuillez baisser le brûleur principal au réglage bas. Si vous avez fini de cuisiner sur l'appareil, veuillez éteindre le brûleur principal et le brûleur d'appoint. Faire fonctionner l'appareil pendant une période prolongée avec le brûleur principal à un réglage élevé pourrait endommager votre appareil.



NETTOYAGE ET ENTRETIEN :

NETTOYAGE EXTÉRIEUR

- La zone autour de l'appareil doit rester dégagée et exempte de matériaux inflammables, d'essence et de vapeurs et liquides inflammables.
- N'obstruez pas la circulation de l'air de combustion et de ventilation.
- Maintenez les ouvertures de ventilation de la bouteille libres et exemptes de débris.
- Avant de nettoyer l'extérieur du four à pizza, assurez-vous que l'appareil ait refroidi et qu'il soit possible de le toucher en toute sécurité.
- Les surfaces peintes et les surfaces en plastique peuvent être nettoyées avec un détergent ménager doux ou un produit nettoyant, et un chiffon propre (n'utilisez pas de tampon à récurer ou de détergent puissant).
- Il est recommandé de tester d'abord le détergent sur une petite surface de l'appareil. N'utilisez JAMAIS de diluant pour peinture ou tout solvant similaire et ne versez JAMAIS d'eau froide sur des surfaces chaudes.
- Essuyez ensuite les surfaces.

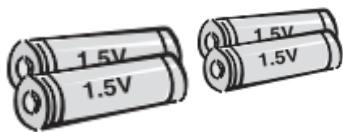
NETTOYAGE INTERNE

- Avant de nettoyer l'intérieur de votre four à pizza, assurez-vous qu'il ait refroidi et qu'il soit possible de le toucher en toute sécurité .
- Vérifiez et nettoyez le brûleur et les tubes venturi pour détecter la présence d'insectes ou de nids d'insectes.
- L'intérieur du appareil peut être nettoyé avec un peu d'eau, un détergent doux et une éponge ou un tampon à récurer doux.
- Pour les surfaces difficiles à nettoyer, utilisez un peu de bicarbonate de soude sur une éponge humide. N'utilisez pas de nettoyants abrasifs.

ENTRETIEN DE LA PIERRE À PIZZA EN CORDIÉRITE

- Cette pierre à pizza est destinée exclusivement pour une utilisation dans le four à pizza.
- Utilisez uniquement de l'eau pour nettoyer la pierre à pizza. Le savon laisse des résidus dans les pores de la pierre.
- **NE PAS** immerger dans l'eau
- La pierre à pizza est fragile et peut se casser si on la cogne ou si elle tombe.
- Soyez prudent lorsque vous manipulez la pierre à pizza car celle-ci reste chaude pendant plusieurs heures après utilisation.
- Ne refroidissez **JAMAIS** la pierre avec de l'eau lorsque la pierre est chaude, car cela peut la fissurer et la briser.
- Après avoir nettoyé la pierre à pizza avec de l'eau, séchez-la soigneusement avant utilisation.

CONSIGNES D'UTILISATION DES PILES

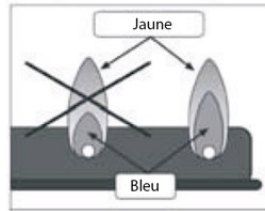


- Jetez les piles de manière responsable et gardez-les hors de portée des jeunes enfants pour éviter qu'ils ne les avalent. Si un enfant avale une pile, **contactez immédiatement un médecin !**
- **NE MÉLANGEZ PAS** vieilles piles et piles neuves. Cela peut provoquer
- une surchauffe et une fuite des piles.
- Les piles non rechargeables **NE DOIVENT PAS** être placées dans un chargeur.
- **NE DÉMONTÉZ PAS, NE BROYEZ PAS, NE PERFOREZ PAS ET N'ENDOMMAGEZ PAS** les piles de quelque manière que ce soit. Cela peut entraîner des fuites ou l'endommagement des piles.
- **MAINTENEZ** la durabilité des piles en éteignant l'appareil et en retirant les piles lorsque l'appareil n'est pas utilisé (ou qu'il n'est pas prévu de l'utiliser) pendant une période prolongée.
- **UTILISEZ** le type de pile prévu pour cet appareil (4 piles AA).
- **INSÉREZ** les piles correctement. Respectez les symboles indiquant le bon positionnement des bornes positive (+) et négative (-) des piles.
- **RETIREZ** immédiatement les piles usagées de l'appareil et jetez-les de manière sécuritaire.

EVERDURE

VÉRIFICATION DES BRÛLEURS ET DE LA STABILITÉ DE LA FLAMME :

Vérifiez visuellement le bon fonctionnement des flammes du brûleur lorsque l'appareil fonctionne en inspectant la ou les flammes du brûleur lorsque les plaques de cuisson et les appareils sont retirées. Une bonne flamme doit être bleue avec une pointe jaune.



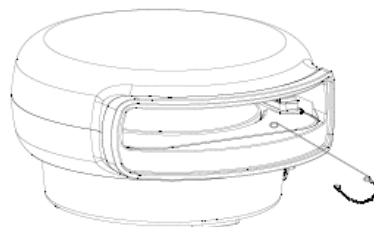
Remarque : lorsque vous inspectez le fonctionnement du brûleur, ne vous penchez pas vers la flamme au risque de vous blesser.

ALLUMAGE MANUEL :

En cas de défaillance de l'allumage automatique, le produit peut être allumé à l'aide du porte-allumettes fourni.

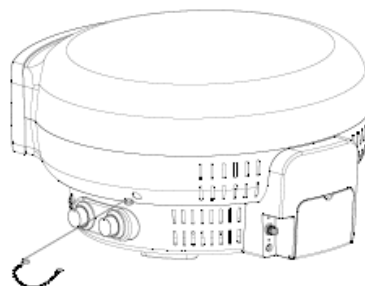
BRÛLEUR PRINCIPAL :

À l'aide du porte-allumettes, allumez avec prudence le brûleur principal comme indiqué ci-dessous.



BOOST BRÛLEUR:

À l'aide du porte-allumettes, allumez avec prudence le brûleur inférieur en passant par l'ouverture du brûleur inférieur. Ceci ne s'applique qu'aux modèles de brûleur Boost.



DÉPANNAGE:

Le brûleur ne s'allume pas lorsque l'on utilise l'allumage électronique :

Le robinet de la bouteille de gaz n'est pas ouvert	Ouvrez le robinet
La bouteille de gaz est vide	Remplacez la bouteille de gaz par une bouteille neuve
Le bouton d'allumage ne fonctionne pas	Vérifiez la pile
Il n'y a pas d'étincelle sur l'allumage	Contactez le Service après-vente

La flamme du brûleur est irrégulière :

La flamme brûle à l'intérieur du brûleur (sifflement)	Éteignez le brûleur et laissez-le refroidir. Ensuite, essayez de le rallumer.
Le régulateur est défectueux	Contactez le Service après-vente
L'injecteur est partiellement bloqué	Nettoyez l'injecteur avec une brosse à dents. Ne percez pas et n'utilisez pas de fil. Ne retirez pas l'injecteur. Contactez le Service après-vente.

Fuite de gaz entre les joints :

Les raccords sont desserrés	Serrez les raccords desserrés (ne serrez pas trop) et effectuez un test d'étanchéité sous pression avec une solution d'eau savonneuse (page 2)
Le tuyau est endommagé	Remplacez le tuyau. (Contactez le Service après-vente)
Le robinet de gaz est défectueux	Contactez le Service après-vente
Les fils sont endommagés	Contactez le Service après-vente

La plaque tournante ne fonctionne pas :

La plaque tournante ne fonctionne pas	Vérifiez si le câble d'alimentation de l'adaptateur électrique est correctement branché et que l'alimentation est sous tension au niveau de la carte d'alimentation principale. Vérifiez si les piles sont insérées correctement dans le compartiment à piles. Vérifiez si les piles sont complètement chargées et remplacez-les si nécessaire.
La plaque tournante est endommagée	Contactez le Service après-vente
L'interrupteur ou les câbles sont endommagés	Contactez le Service après-vente

EVERDURE

CARACTÉRISTIQUES :

Détails du produit	EKILN1	EKILN2
Dimensions (mm)	740 × 660 × 380 (mm)	740 × 660 × 380 (mm)
	29,1 × 26,0 × 15,0 (po)	29,1 × 26,0 × 15,0 (po)
Poids (net/brut)	25,1 / 31,9 (kg)	26,8 / 33,6 (kg)
	55,33 / 70,33 (lb)	59,08 / 74,08 (lb)
Tr/min de la plaque tournante avec adaptateur fourni	N/A	2,5 tr/min

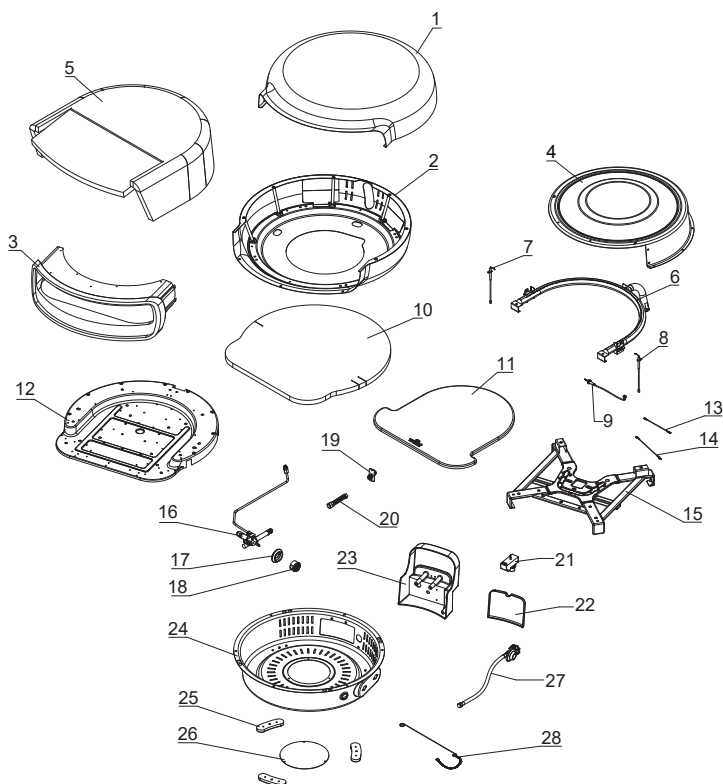
Alimentation électrique - Modèle KILN Série R - 2 Brûleurs

MODÈLE	CARACTÉRISTIQUES	REMARQUE
USA / CAN	Modèle : GA-0301000 Alimentation : CA 100~240 V ~50/60 Hz 0,6 A Sortie : 3,0 V 1000 mA	Avec orifice de prise ronde correspondant à DC005 / 5.5*2,1 broches

EVERDURE

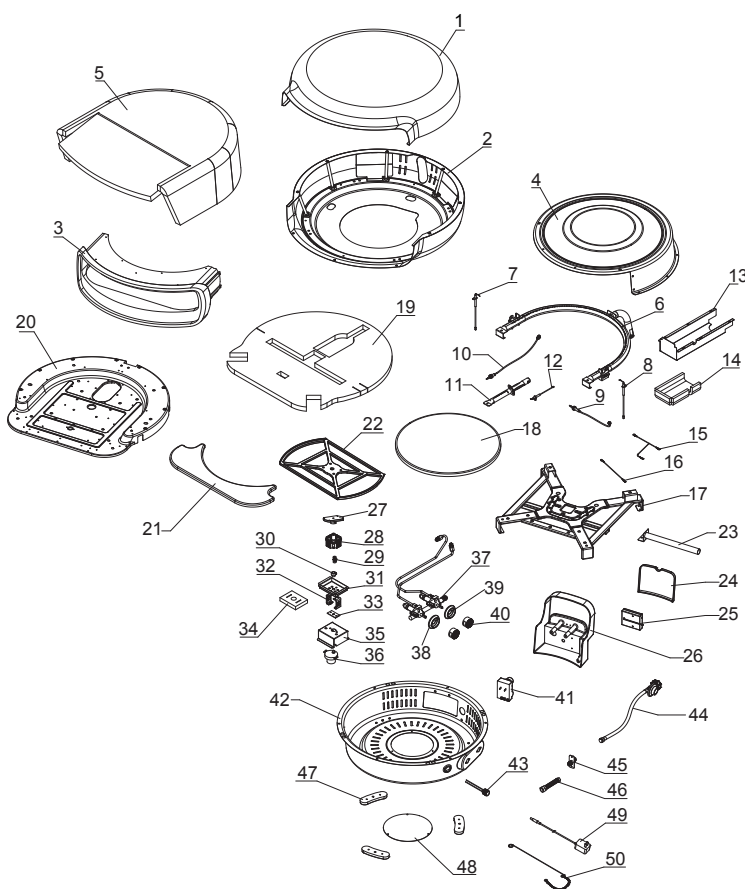
LISTE DES PIÈCES EKILN1

NO.	NOM DE LA PIÈCE	NO.	NOM DE LA PIÈCE
1	Paupière supérieure	15	Support de soudure de base
2	Boîtier extérieur inférieur	16	1B Ensemble vanne
3	Façade en aluminium	17	Lunette du brûleur principal
4	Foyer intérieur	18	Bouton
5	Isolation du foyer intérieur	19	Connecteur d'arrivée de gaz
6	Brûleur principal SS	20	Tuyau ondulé
7	Goupille d'allumage I	21	Allumeur à impulsion
8	Goupille d'allumage II	22	Capot arrière
9	Thermocouple supérieur	23	Siège arrière en aluminium
10	Isolation de la base	24	Boîtier de commande
11	Pierre à pizza en forme de T	25	Pied en polypropylène
12	Assemblage de base	26	Couvercle inférieur
13	Fil d'allumage à impulsion I	27	Régulateur Américain
14	Fil d'allumage à impulsion II	28	Titulaire d'allumette



LISTE DES PIÈCES EKILN2

NO.	NOM DE LA PIÈCE	NO.	NOM DE LA PIÈCE
1	Couvercle supérieur	26	Siège arrière en aluminium
2	Boîtier extérieur inférieur	27	Plaque de support en acier inoxydable
3	Façade en aluminium	28	Support de roulement
4	Foyer intérieur	29	Joint de cardan
5	Isolation du foyer intérieur	30	Accouplement moteur
6	Brûleur principal SS	31	Bouclier thermique de la base du moteur
7	Goupille d'allumage I	32	Support intérieur
8	Goupille d'allumage II	33	Plaque limite en aluminium
9	Thermocouple supérieur	34	Isolation du moteur
10	Thermocouple inférieur	35	Couvercle intérieur du moteur
11	Boost brûleur	36	Docteur moteur
12	Goupille d'allumage inférieure	37	2B Ensemble vanne
13	Bouclier thermique inférieur	38	Lunette du brûleur principal
14	Isolation du brûleur d'appoint	39	Lunette de brûleur boost
15	Fil d'allumage à impulsion I	40	Bouton
16	Fil d'allumage à impulsion II	41	Allumeur à impulsio
17	Support de soudure de base	42	Boîtier de commande
18	Pierre à pizza ronde 16"	43	Bouton rotatif
19	Isolation de la base	44	Régulateur Américain
20	Assemblage de base	45	Connecteur d'arrivée de gaz
21	Pierre à pizza avant	46	Tuyau ondulé
22	Plateau tournant en fonte	47	Pied en polypropylène
23	Conduit de visualisation des flammes	48	Couvercle inférieur
24	Capot arrière	49	Adaptateur USA
25	Boîtier de batterie	50	Titulaire d'allumette



EVERDURE KILN

www.everdure.com

IM REF: EKILN USA 23/05/2023