



# MyTrash RECLIPS

We stopped looking at trash as a problem and started seeing it as the resource it is. And we created chairs with lamellas made from Danish household plastic trash.

## PRODUCT NO.

22303-XXXX-XX

## DESIGNED BY

Henrik Pedersen  
in 2020

## PRODUCTION

Denmark / China

## BASE

Powder coated aluminum

## CATEGORY

Rocking chair with  
plastic lamellas

## ENVIRONMENT

Outdoor

## ASSEMBLING

Back and armrests  
to be mounted on  
base

## LAMELLAS

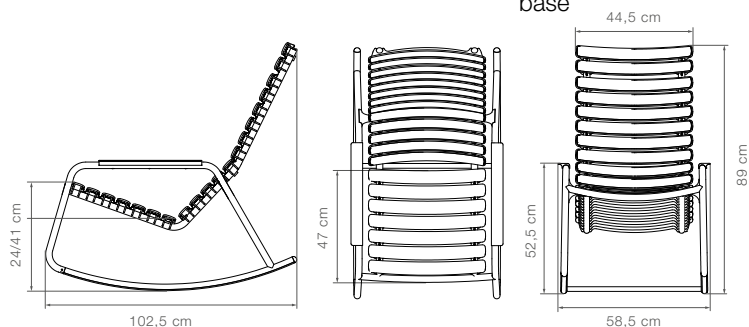
97% Danish household plastic trash  
3% UV and color pigment

## ARMRESTS

Bamboo or powder coated aluminum

## CLEANING AND CARE

View online [here](#)



## DIMENSIONS

H: 89 cm  
D: 102,5 cm  
W: 58,5 cm

## SEAT HEIGHT

24/41 cm

## SEAT DEPTH

47 cm

## WEIGHT

Gross: 11 kg  
Net: 8 kg

## ARMREST HEIGHT SEAT WIDTH

530 mm

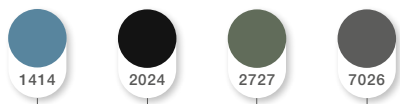
44,5 cm

## WEIGHT LIMIT

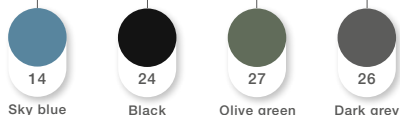
120 kg

## COLORS

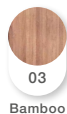
Monocolor



Armrests



Optional armrests



## BOX DIMENSIONS

H: 99 cm  
W: 59 cm  
L: 59 cm

## PALLET DIMENSIONS

H: 213 cm  
W: 118 cm  
L: 175 cm

## SHIPPING UNITS

1 pc/box

## UNITS / PALLET

12

# HOUE

RODELUNDVEJ 4A · 8680 RY · DENMARK · HOUE.COM



## MyTrash **RECLIPS**

We stopped looking at trash as a problem and started seeing it as the resource it is. And we created chairs with lamellas made from Danish household plastic trash.

### **DESIGNER HENRIK PEDERSEN**

Does design really matter? Perhaps not – but for me it's essential. It gives me a thrill to design forms and functions that are capable of moving people passionately and opening up new possibilities.

Passion for design is in my mind, soul and heart, wherever I go.

And my main inspiration is neo-scandinavian design, influenced by the vibes of London and the humor of Amsterdam, often with elements of fusion, resulting in materials and functions being combined in new and original ways, while always striving for a pure and simple look.

### **RECLIPS**

ReCLIPS is a collection of chairs with wide plastic lamellas clipped on a powder coated aluminum frame.

The lamellas are made from Danish household plastic trash and produced in Denmark. The technology behind reusing plastic household trash for furniture production is developed in Denmark. With ReCLIPS you are basically looking at the result of mixing Danish design and Danish innovation and converting this new thinking and material into a chair.

ReCLIPS Dining, lounge chairs and footrest come in 4 mono colors: black, dark grey, olive green and sky blue – and with the choice of aluminum or bamboo armrests. The Bar stool is available in black. The aluminum frame combined with the UV protected plastic lamellas keep the maintenance to a minimum.

### **FROM TRASH TO TREASURE**

Developing ReCLIPS, HOUE was determined that the right steps were taken in creating a responsible collection of chairs.

By using household plastic trash instead of virgin – or recycled industrial plastic, it is not only the recycling of plastic and the use of trash that is beneficial – there are also significant savings on the amount of energy used in production.

When creating products from household plastic trash, we worked from a systematic perspective, taking into account how things are always connected. Consequently, we base our decisions on facts and thorough documentation.

**HOUE**

RODELUNDVEJ 4A · 8680 RY · DENMARK · HOUE.COM