

MZ08 HAND SHOWER



meir®

FEATURES

- Refer to the Meir website for warranty terms & conditions, and available finishes.
- Flow rate **8L p/m** at 3 bar pressure.
- Solid brass construction. ABS hand shower.
- Box Weight **1.06 kg**
- 68mm long 1/2" threaded adapter included for non-AU regions only

CARE

- Do not install tapware using any form of acetone silicones.
- Do not apply physical items (such as tools) directly to product.
- Never use house-hold or commercial detergents, citrus based cleaners, or abrasive cleaners.
- Clean using a mild washing soap solution rinsed, and dry with a soft cloth.
- Check for any product defects before installation.
- Refer to the installation manual for correct installation.

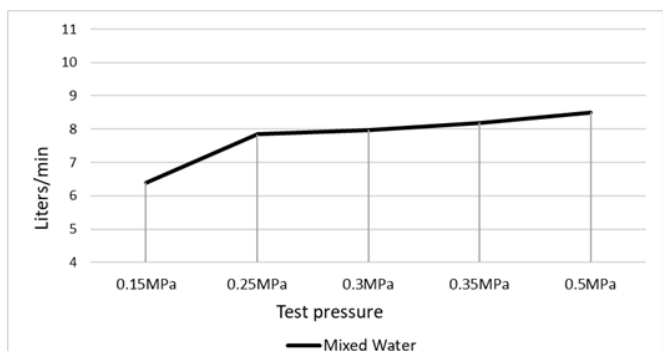
CREDENTIALS

- Watermark AS/NZS3718WMKA25013
- 3-star WELS rated
- 9 litres p/minute
- WELS registration No: S18053

SPECIFICATIONS

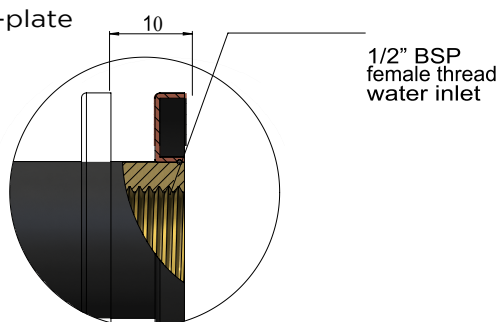


FLOW RATE GRAPH



TOLERANCES

Max back-plate tolerance

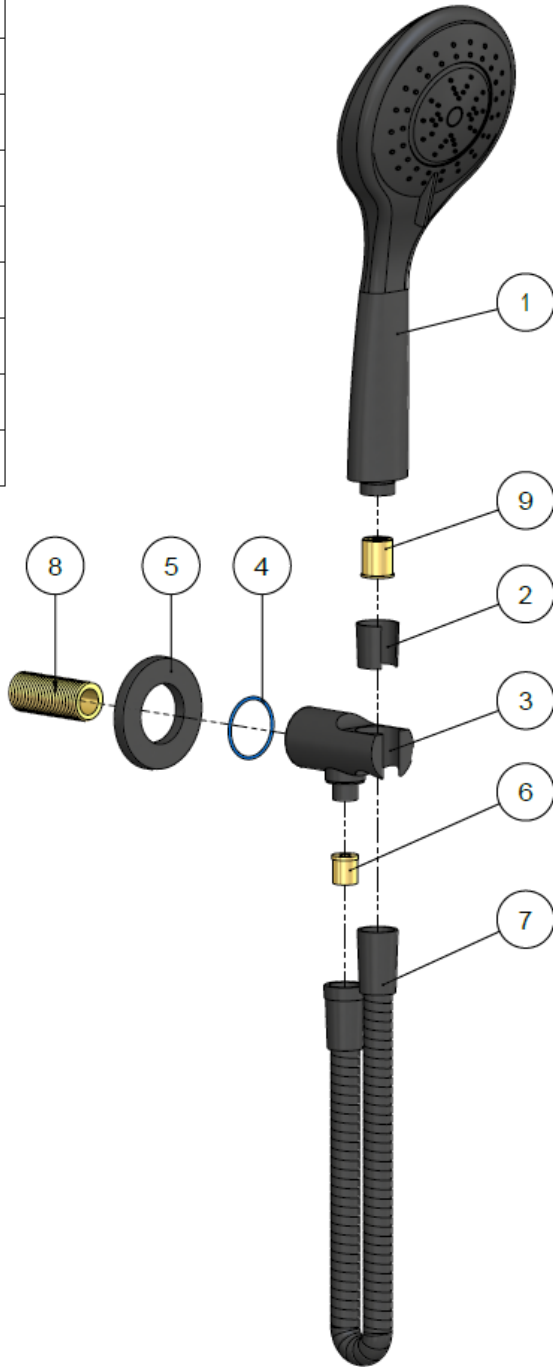


MZ08 HAND SHOWER

meir®

EXPLODED VIEW

No.	Part Name	Qty
1	Hand Shower	1
2	Protective Sleeve	1
3	Bracket Base	1
4	O-ring	1
5	Back Plate	1
6	Flow Controller	1
7	Shower Hose	1
8	Threaded Adapter	1
9	Check Valve	1



NOTE: The hose end caps of parts (hose part 7) are made from a special hardened plastic to prevent the brass mount (3) from scratching.