



**OWNER'S GUIDE
GUÍA DEL PROPIETARIO
GUIDE DU PROPRIÉTAIRE**

**OUTDOOR 2 BURNER
GAS GRIDDLE**

MODEL #720-1116

**GRIDDLE DE GAZ DE 2
BRÛLEURS**

POUR EXTERIEURS

MODÈLE 720-1116

**PLANCHA A GAS DE 2
QUEMADORES**

PARA EXTERIORES

MODELO #720-1116



⚠ CALIFORNIA RESIDENTS ONLY - WARNING: Fuels used in Liquefied Propane Gas appliances, and the products of combustion of such fuels, can expose you to chemicals including benzene, which are known to the State of California to cause cancer and cause birth defects or other reproductive harm.


For more information, go to: www.P65Warnings.ca.gov.

⚠ RÉSIDENTS DE CALIFORNIE SEULEMENT - AVERTISSEMENT: Les carburants utilisés dans les appareils au gaz propane liquéfié, et les produits de combustion de ces carburants, peuvent vous exposer à des produits chimiques, y compris le benzène, qui sont reconnus par l'État de Californie comme causant le cancer et des malformations congénitales ou d'autres troubles de la reproduction.

Pour plus d'informations, visitez www.P65Warnings.ca.gov.

⚠ RESIDENTES DE CALIFORNIA SOLAMENTE - ADVERTENCIA: Los combustibles utilizados en aparatos de gas propano líquido y los productos de la combustión de tales combustibles pueden exponerle a productos químicos, incluyendo el benceno, que es conocido por el Estado de California para causar cáncer y defectos de congénito u otros daños reproductivos. *Para más información, visite www.P65Warnings.ca.gov*

- This instruction manual contains important information necessary for the proper assembly and safe use of the appliance.
- Read and follow all warnings and instructions before assembling and using the appliance.
- Keep this manual for future reference.

 **Questions, problems, missing parts?** Before returning to your retailer, call our Customer Service Department at U.S.A:1-800-913-8999, 8 a.m. - 5 p.m., PST, Canada: 1-800-648-5864, 8 a.m. - 5 p.m., EST, Monday-Friday.

19001095A0

- **Ce manuel d'instructions contient d'importantes informations essentielles à un assemblage approprié et sécuritaire de l'appareil.**
- **Lire et respecter tous les avertissements et toutes les instructions avant l'assemblage et l'utilisation de l'appareil.**
- **Conserver ce manuel à titre de référence ultérieure.**



Des questions, des problèmes, des pièces manquantes? Avant de retourner l'article au détaillant, communiquez avec le service à la clientèle au U.S.A:1-800-913-8999, entre 8 h et 17 h HNP. Canada : 1-800-648-5864, de 8 h à 17 h, HNE. Assurez-vous d'avoir votre numéro de série en main. Ce numéro se situe à l'intérieur de la porte avant de votre barbecue.

- **El presente manual de instrucciones contiene información importante que lo ayudará a armar el dispositivo correctamente y a utilizarlo de manera segura.**
- **Antes de armar y utilizar el dispositivo, lea y siga todas las advertencias e instrucciones.**
- **Conserve el presente manual para consultas futuras.**



¿Consultas, problemas, piezas que faltan? Antes de regresar al vendedor, comuníquese con nuestro departamento de Servicio al Cliente llamando al U.S.A:1-800-913-8999, de 8 a.m. a 5 p.m. Canadá: 1-800-648-5864, de 8 a.m. a 5 p.m., hora del este, de lunes a viernes. Asegúrese de tener disponible el número de serie, que se encuentra en la parte interna de la puerta frontal de su parrilla.

Table of Contents / Table des matières / Índice

Safety Instructions.....	3-6	Mesures de sécurité.....	13-16	Instrucciones de Seguridad.....	23-26
Gas Hookup.....	7	Raccordement au gaz.....	17	Conexión de gas.....	27
Leak Testing.....	8	Test de fuite.....	18	Control de fugas.....	28
Lighting Instructions.....	9	Consignes d'allumage.....	19	Instrucciones de encendido..	29
Care and Maintenance.....	10	Nettoyage et entretien.....	20	Cuidado y mantenimiento....	30
Seasoning Your Griddle	11	Assaisonner votre plaque chauffante.....	21	Sazonando su plancha.....	31
Grill Hints.....	11	Conseils relatifs au grill	21	Consejos para el uso de la plancha.....	31
Ordering Parts.....	11	Commande de pièces.....	21	Ordenar repuestos.....	31
Troubleshooting.....	12	Dépannage.....	22	Localización y resolución de problemas.....	32
Exploded View.....	33	Vue éclatée.....	33	Vista despiezada.....	33
Parts List	34	Liste des pièces	35	Lista de partes	35
Limited Warranty.....	37	Garantie limitée.....	38	Garantía Limitada.....	39

Safety Instructions


DANGER


If you smell gas:

- Shut off gas to the appliance.
- Extinguish any open flame.
- If odor continues, keep away from the appliance and immediately call your gas supplier or your fire department.

WARNING

- Do not store or use gasoline or other flammable liquids or vapors in the vicinity of this or any other appliance.
- An LP cylinder not connected for use shall not be stored in the vicinity of this or any other appliance.

 Failure to comply with these instructions could result in a fire or explosion that could cause serious bodily injury, death, or property damage.

 Your grill will be very hot. Never lean over the cooking area while using your grill. Do not touch cooking surfaces, grill housing or any other grill parts while the grill is in operation, or until the gas grill has cooled down after use.

WARNING

Do not try lighting this appliance without reading the "LIGHTING INSTRUCTIONS" section of this manual.

TESTED IN ACCORDANCE WITH CSA/ANSI Z21.58-2022 • CSA 1.6-2022 STANDARD FOR OUTDOOR COOKING GAS APPLIANCE. THIS GRILL IS FOR OUTDOOR USE ONLY.

Grill Installation Codes

Check your local building codes for the proper method of installation. In the absence of local codes, this unit should be installed in accordance with the National Fuel Gas Code, ANSI Z223.1/NFPA 54, Storage and Handling of Liquefied Petroleum Gases, ANSI/NFPA B149.2 or CSA B149.1 Natural Gas and Propane Installation Code, and the National Electrical Code, ANSI/NFPA 70.

Correct LP Gas Tank Use

LP gas grill models are designed for use with a standard 20 lb. Liquid Propane Gas tank, not included with grill. **Never** connect your gas grill to an LP gas tank that exceeds this capacity.

NOTE: The normal flow of gas through the regulator and hose assembly can create a humming noise. A low volume of noise is perfectly normal and will not interfere with operation of the grill. If humming noise is loud and excessive you may need to purge air from the gas line or reset the regulator excess gas flow device. This purging procedure should be done every time a new LP gas tank is connected to your grill.

CAUTION: Beware of Flashback

CAUTION: Spiders and small insects occasionally spin webs or make nest in the grill burner tubes during transit and warehousing. These webs can lead to gas flow obstruction, which could result in a fire in and around burner tubes. This type of fire is known as "FLASH-BACK" and can cause serious damage to your grill and create an unsafe operating condition for the user.



Although an obstructed burner tube is not the only cause of "FLASH-BACK", it is the most common cause.

To reduce the chance of "FLASH-BACK", you must clean the burner tubes before assembling your grill, and at least once a month in late summer or early fall when spiders are most active. Also perform this burner tube cleaning procedure if your grill has not been used for an extended period of time. A clogged tube can lead to a fire beneath the grill.



Liquid propane flame

Visually check the burner flames prior to each use. The flames should look like this picture. If they do not, refer to the burner maintenance part of this manual.

Safety Instructions

LP-Gas Supply System

- If the information is not followed exactly, a fire resulting in death or serious injury could occur.
- A 20lb tank of approximately 12 inches in diameter by 18-1/4 inches high is the maximum size LP gas tank to use.
- This safety feature prevents the tank from being overfilled, which can cause malfunction of the LP gas tank, regulator and/or grill.
- The LP gas supply cylinder to be used must be constructed and marked in accordance with the specifications for LP –Gas cylinder of the U.S. Department of Transportation (DOT) or the National Standard of Canada, CAN/CSA –B339, Cylinders, Spheres and Tubes for Transportation of Dangerous Goods and Commission .
- The LP gas tank must have a shutoff valve terminating in an LP valve outlet that is compatible with a Type 1. LP gas supply cylinder must have a shut off valve terminating in a valve outlet specified for connection type QCC1 in the standard for compressed gas cylinder valve outlet and inlet connection ANSI/CGA-V-1 as applicable. LP gas supply cylinder must be fitted with an Overfill Protection Device (O.P.D.) The LP gas tank must also have a safety relief device that has a direct connection with the vapor space of the tank.
- The tank supply system must be arranged for vapor withdrawal.
- The LP gas tank used must have a collar to protect the tank valve.
- Place dust cap on cylinder valve outlet whenever the cylinder is not in use. Only install the type of dust cap on the cylinder valve outlet that is provided with the cylinder valve. Other types of caps or plugs may result in leakage of propane.
- **Never** connect an unregulated LP gas tank to your gas grill.
- This outdoor cooking gas appliance is equipped with a high capacity hose/regulator assembly for connection to a standard 20lb. Liquid propane cylinder.
- Have your LP gas tank filled by a reputable propane gas dealer and visually inspected and re-qualified at each filling.
- Do not store a spare LP gas cylinder under or near this appliance.
- Never fill the cylinder beyond 80 percent full.
- Always keep LP gas tanks in an upright position.
- Do not store or use gasoline or other flammable vapors and liquids in the vicinity of this or any other appliance.
- Storage of an outdoor cooking gas appliance indoors is permissible only if the cylinder is disconnected and removed from the outdoor cooking gas appliance.
- When your gas grill is not in use the gas must be turned off at LP gas tank.
- The gas must be turned off at the supply cylinder when the outdoor cooking gas appliance is not in use.
- LP gas tank must be stored outdoors in a well ventilated area and out of reach of children. Disconnected LP gas tanks must not be stored in a building, garage or any other enclosed area.

- Do not obstruct the flow of ventilation air around the gas grill housing. Only use the regulator and the hose assembly supplied with your gas grill. Replacement regulators and hose assemblies must be those specified in this manual.
- The regulator and hose assembly must be inspected before each use of the grill. If there is excessive abrasion or wear or if the hose is cut, it must be replaced prior to the grill being put into operation. The replacement hose assembly shall be that specified by the manufacturer.
- Pressure regulator and hose assembly supplied with the outdoor cooking gas appliance must be used. Never substitute other types of regulator. Contact customer service for manufacturer specified replacement parts.
- This outdoor cooking gas appliance is equipped with a pressure regulator comply with the standard for Pressure Regulating Valves for LP Gas ANSI / UL 144.
- Keep the back and side cart free and clear from debris.
- Never use the grill in extremely windy conditions. If located in a consistently windy area (oceanfront, mountaintop, etc.) a windbreak will be required. Always adhere to the specified clearances.
- Never use a dented or rusty propane tank.
- While lighting, keep your face and hands as far away from the grill as possible.
- Burner adjustment should only be performed after the burners have cooled.

PROPER PLACEMENT AND CLEARANCE OF GRILL

- Never use your gas grill in a garage, porch, shed, breezeway or any other enclosed area. Your gas grill is to be used **OUTDOORS ONLY**. Do not install this unit into combustible enclosures. Minimum clearance from sides and back of unit to combustible construction, 36 inches (92cm) from sides and 36 inches (92cm) from back.
- **DO NOT** use this appliance under overhead combustible surfaces. This outdoors cooking gas appliance is not intended to be installed in or on recreational vehicles and / or boats.

WARNING

Your grill will get very hot. Never lean over the cooking area while using your grill. Do not touch cooking surfaces, grill housing, or any other grill parts while the grill is in operation, or until the gas grill has cooled down after use.

Failure to comply with these instructions may result in serious bodily injury.

Safety Instructions

WARNING

Keep a spray bottle of soapy water near the gas supply valve and check the connections before each use.

DO NOT LEAVE THE GRILL UNATTENDED WHILE COOKING.

SAFETY PRACTICES TO AVOID PERSONAL INJURY

When properly cared for, your grill will provide safe, reliable service for many years. However, extreme care must be used as the grill produces intense heat that can increase accident potential. When using this appliance basic safety practices must be followed, including the following: Do not repair or replace any part of the grill unless specifically recommended in this manual. All other service should be referred to a qualified technician.

Children should not be left alone or unattended in an area where the grill is being used. Do not allow them to sit, stand or play in or around the grill at any time. Do not store items of interest to children around or below the grill.

Do not permit clothing, pot holders or other flammable materials to come in contact with or too close to any grate, burner or hot surface until it has cooled. The fabric could ignite and cause personal injury.

For personal safety, wear proper apparel. Loose fitting garments or sleeves should never be worn while using this appliance. Some synthetic fabrics are highly flammable and should not be worn while cooking.

Only certain types of glass, heat-proof glass ceramic, earthenware, or other glazed utensils are suitable for grill use. These materials may break with sudden temperature changes. Use only on low or medium heat settings in accordance with the manufacturer's guidelines.

Do not heat unopened food containers. A build-up of pressure may cause the containers to burst.

When lighting a burner, pay close attention to what you are doing. Make certain you are aware of which burner you are lighting, so your body and clothing remain clear of open flames.

When using the grill, do not touch immediate surroundings as these areas become extremely hot and could cause burns. Use only dry potholders. Moist or damp potholders on hot surfaces may cause steam burns. Do not use a towel or bulky cloth in place of potholders. Do not allow potholders to touch hot portions of the grill rack.

Clean the grill with caution. To avoid steam burns, do not use a wet sponge or cloth to clean the grill while it is hot. Some cleaners produce toxic fumes or can ignite if applied to a hot surface.

For proper lighting and performance of the burners keep the burner ports clean. It is necessary to clean them periodically for optimum performance. The burners will only operate in one position and must be mounted correctly for safe operation.

Turn off grill controls and make certain the grill is cool before using any type of aerosol cleaner on or around the grill. The chemical that produces the spraying action could, in the presence of heat, ignite or cause metal parts to corrode.

Keep the area surrounding the grill free from combustible materials including, fluids, trash, and vapors such as gasoline or charcoal lighter fluid.

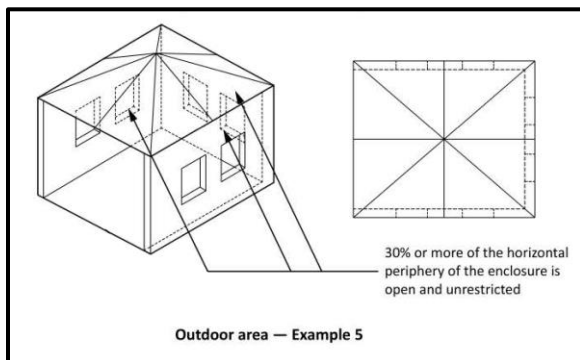
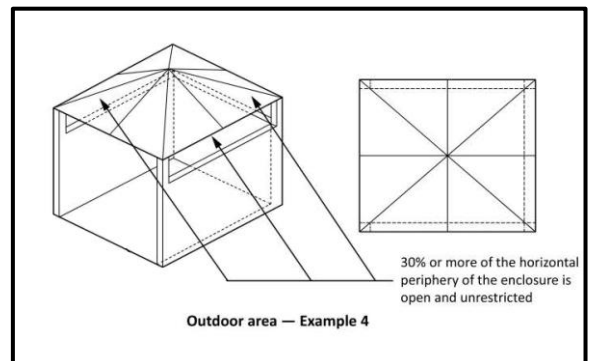
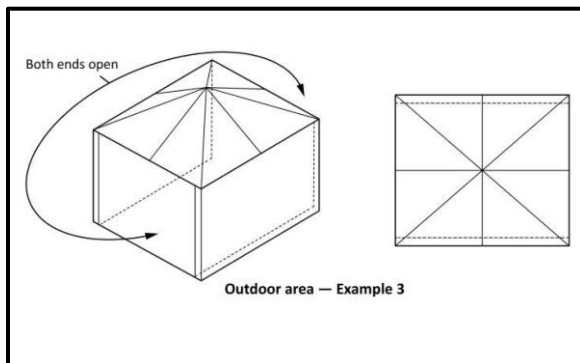
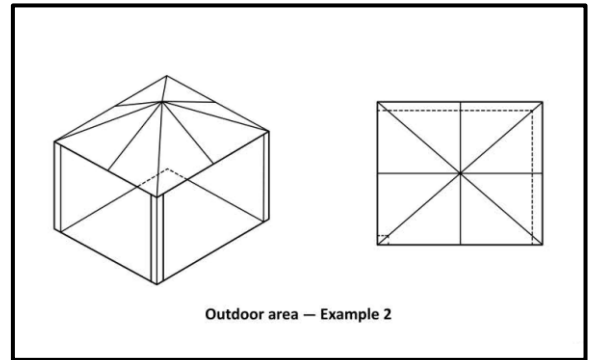
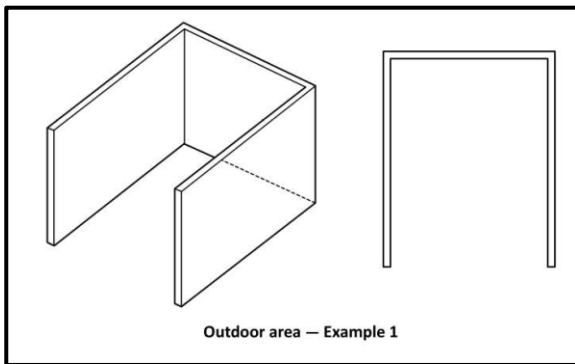
Grease is flammable. Let hot grease cool before attempting to handle it. Avoid letting grease deposits accumulate in the grease cup. Empty the grease cup after every use.

Never use water on a grease fire. Personal injury may result.

Diagrammatical Representation Of “Outdoor Areas”

This appliance shall only be used in an above ground open-air situation with natural ventilation, without stagnant areas, where gas leakage and products of combustion are rapidly dispersed by wind and natural convection.

1. An appliance is considered to be outdoors if installed with shelter no more inclusive than with walls on three sides, but with no overhead cover; all openings must be permanently open; sliding doors, garage doors, windows, or screened openings are not considered as permanent opening.
2. An appliance is considered to be outdoors if installed with shelter no more inclusive than within a partial enclosure that includes an overhead cover and no more than two sidewalls. The sidewalls may be parallel, as in a breezeway, or at right angles to each other; all openings are not considered as permanent openings
3. An appliance is considered to be outdoors if installed with shelter no more inclusive than with in a partial enclosure that includes an overhead cover and three sidewalls, as long as 30% or more of the horizontal periphery of the enclosure is permanently open. All openings must be permanently open; sliding doors, garage doors, windows, or screened openings are not considered as permanent openings.



Gas Hookup

NEVER CONNECT AN UNREGULATED GAS SUPPLY LINE TO THE APPLIANCE. USE THE REGULATOR/HOSE ASSEMBLY SUPPLIED.

This is a liquid propane configured grill. Do not attempt to use a natural gas supply.

Total gas consumption (per hour) of this gas grill with all burners on "HIGH":

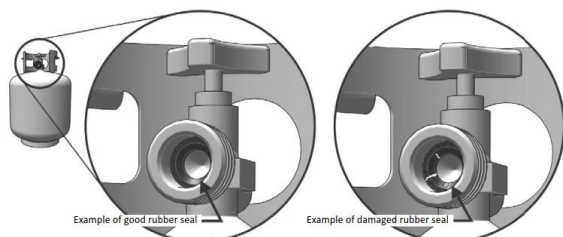
Main Burner	4 x 9,500 BTU/hr.
Total	38,000 BTU/hr.

L.P. TANK REQUIREMENT

A dented or rusty L.P. tank may be hazardous and should be checked by your L.P. supplier. Never use a cylinder with a damaged valve. The L.P. gas cylinder must be constructed and marked in accordance with the specifications for L.P. gas cylinders of the U.S. Department of Transportation (DOT) or the National Standard of Canada, CAN/CSA-B339, Cylinders, Spheres and Tubes for Transportation of Dangerous Goods; and Commission, as applicable. Overfilling prevention device (OPD) shall be provided on cylinder & QCC1 connection on the cylinder valve, ANSI/CGA-V-1. The cylinder supply system must be arranged for vapor withdrawal. The cylinder must include a collar to protect the cylinder valve. The cylinder must be provided with a shut off valve terminating in an L.P. gas supply cylinder valve outlet specified, as applicable, for connection type QCC1 in the standard for compressed gas cylinder valve outlet and inlet connection ANSI/CGA-V-1. Manifold pressure: 11"(27.94cm) water column (W.C.).

TANK RUBBER SEAL INSPECTION

1. The cylinder face elastomeric face seal element on these devices could, over time, show marked and visible damage or deterioration that might cause a leak even with the connection tightened.
2. Visual inspection for the seal must be carried out every time a LP gas cylinder is replaced or refilled.
3. LP-gas cylinder showing signs of damage or deterioration, including visible cracks and pitting, must be returned unused to the seller.



The cylinder should be mounted such that the pressure relief valve outlet is not oriented toward the normal operating position of the user.

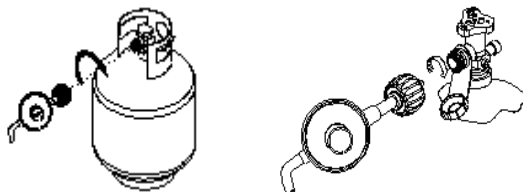
L.P. GAS HOOK-UP

Ensure that the black plastic grommets on the LP cylinder valve are in place and that the hose does not come into contact with the firebox of the grill.

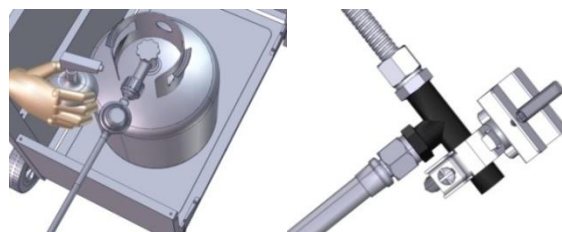
CONNECTION

Your grill is equipped with gas supply orifices for use only with liquid propane gas. It is also equipped with a high capacity hose/regulator assembly for connection to a standard 20 lb. L.P. cylinder (18-1/4" (46.35cm) high, 12-1/4"(31cm) diameter). To connect the L.P. gas supply cylinder, please follow the steps below:

1. Make sure tank valve is in its full off position (turn clockwise to stop)
2. Check tank valve to assure it has proper external male threads (type 1 connection per ANSI Z21.81)



3. Make sure all burner valves are in their off position.
4. Inspect valve connections, port, and regulator assembly. Look for any damage or debris. Remove any debris. Inspect hose for damage. Never attempt to use damaged or obstructed equipment. See your local L.P. gas dealer for repair.
5. When connecting regulator assembly to the valve, hand tighten the quick coupling nut clockwise to a complete stop. Do not use a wrench to tighten. Use of a wrench may damage the quick coupling nut and result in a hazardous condition.
6. Slowly open the tank valve fully (counterclockwise). Apply the soap solution with a clean brush to all gas connections. See below. If growing bubbles appear in the solution the connections are not properly sealed. Check each fitting and tighten or repair as necessary.



7. If you have a gas connection leak you cannot repair, turn gas OFF at supply tank, disconnect fuel line from your grill and call customer service or your gas supplier for repair assistance.
8. Also apply soapy solution to the tank seams. See below. If growing bubbles appear, shut tank OFF and do not use or move it! Contact an LP gas supplier or your fire department for assistance.

To disconnect L.P. gas cylinder:

1. Turn the burner valves off.
2. Turn the tank valve off fully (turn clockwise to stop).
3. Detach the regulator assembly from the tank valve by turning the quick coupling nut counterclockwise.

Leak Testing

GENERAL

Although all gas connections on the grill are leak tested at the factory prior to shipment, a complete gas tightness check must be performed at the installation site due to possible mishandling in shipment, or excessive pressure unknowingly being applied to the unit. Periodically check the whole system for leaks following the procedures listed below. If the smell of gas is detected at anytime you should immediately check the entire system for leaks.

BEFORE TESTING

Make sure that all packing material is removed from the grill including tie-down straps.

DO NOT SMOKE WHILE LEAK TESTING. NEVER PERFORM LEAK TEST WITH AN OPEN FLAME.

Make a soap solution of one part liquid detergent and one part water. You will need a spray bottle, brush, or rag to apply the solution to the fittings. For the initial leak test, make sure the L.P. cylinder is 80% full.

TO TEST

1. Make sure the control valves are in the "OFF" position, and turn on the gas supply.
2. Check all connections from the LP gas regulator and supply valve up to and including the connection to the manifold pipe assembly (the pipe that goes to the burners). Soap bubbles will appear where a leak is present.
3. If a leak is present, immediately turn off the gas supply and tighten the leaky fittings.
4. Turn the gas back on and recheck.
5. Should the gas continue to leak from any of the fittings, turn off the gas supply and contact customer service.



Only those parts recommended by the manufacturer should be used on the grill. Substitution will void the warranty. Do not use the grill until all connections have been checked and do not leak.

GAS FLOW CHECK

Each grill burner is tested and adjusted at the factory prior to shipment; however, variations in the local gas supply may make it necessary to adjust the burners. The flames of the burners should be visually checked.

Flames should be blue and stable with no yellow tips, excessive noise or lifting. If any of these conditions exist, check to see if the air shutter or burner ports are blocked by dirt, debris, spider webs, etc. If you have any questions regarding flame stability, please call customer service.

ALWAYS CHECK FOR LEAKS AFTER EVERY L.P. TANK CHANGE

Check all gas supply fittings for leaks before each use. It is handy to keep a spray bottle of soapy water near the shut-off valve of the gas supply line. Spray all the fittings. Bubbles indicate leaks.

Lighting Instructions

Note: Remove all packaging, including straps, before using the griddle.

⚠ WARNING: IMPORTANT BEFORE LIGHTING...

Inspect the gas supply hose prior to turning the gas "ON". If there is evidence of cuts, wear, or abrasion, it must be replaced prior to use. Do not use the grill if the odor of gas is present. Only the pressure regulator and hose assembly supplied with the unit should be used.

Never substitute regulators and hose assembly for those supplied with the grill. If a replacement is necessary, contact the manufacturer for proper replacement. The replacement must be that specified in the manual.

⚠ WARNING: Always keep your face and body as far away from the burner as possible when lighting.

GENERAL USE OF THE MAIN BURNER

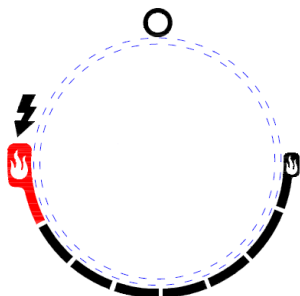
Each main burner is rated at 9,500 BTU/hr. The main grill burners encompass the entire cooking area and are side ported. The burner knobs are located on the control panel. Each ignition setting is labeled on the control panel.

⚠ WARNING: Always keep the lid open when using the griddle.

Minimum Ambient Operating Temperature: 0 °F, (-17.8 °C)



MAIN BURNERS



Main Burner

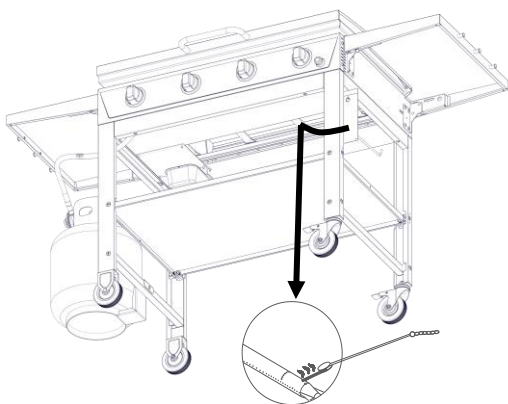
TO LIGHT THE MAIN BURNERS

1. Turn ON the gas tank valve.
2. Push and turn corresponding burner control knob to the "⚡" while pressing the ignition button to light the burner.
3. Once the burner is lit, release the knob.
4. If ignition does not occur in 5 seconds, turn the knob to ○ and repeat the lighting procedure.

TO MATCH LIGHT THE BURNER

If the burner does not light after several attempts, the burner can be match lit.

1. Allow 5 minutes for any accumulated gas to dissipate.
2. Clip a paper match on one end of the lighting rod.
3. Light match.
4. Hold lighting rod and insert lighted match right next to the burner ports or ceramic file.
5. Push and turn the designated control knob to "⚡".
6. Burner should ignite immediately.



Each burner assembly is adjusted prior to shipment; however, variations in the local gas supply may make minor adjustments necessary.

Do not attempt to light the grill if odor of gas is present.

Call for service 1-800-913-8999 in USA, 1-800-648-5864 in Canada.

Check all gas connections before each use.

Care and Maintenance

ENSURE THAT THE GAS SUPPLY AND THE KNOBS ARE IN THE "OFF" POSITION. MAKE SURE THE GRIDDLE IS COOL BEFORE HANDLING IT.

GREASE TRAY CLEANING

The grease tray should be emptied after each use and washed with a mild detergent and warm water solution. A small amount of sand may be placed in the bottom of grease tray to absorb the grease. Check the grease tray frequently, do not allow excess grease to accumulate and overflow out of the grease tray.

BURNERS

Extreme care should be taken when moving a burner, as it must be correctly centered on the orifice before any attempt is made to relight the grill. Frequency of cleaning will depend on how often you use the grill.

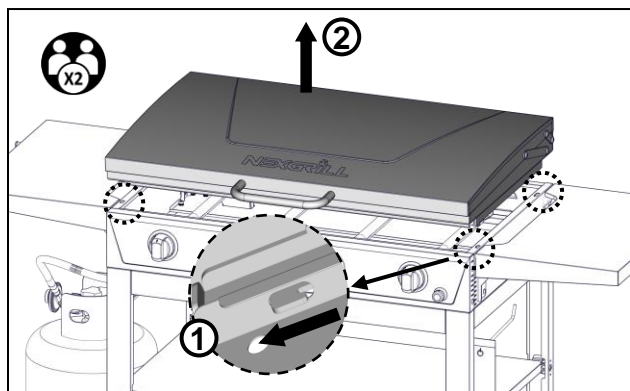
BURNER CLEANING

1. Turn off the gas supply, and make sure all the knobs are in the "OFF" position.
2. Wait for the grill to cool.
3. Clean the exterior of the burner with a wire brush. Use a metal scraper to stubborn stains.
4. Clear clogged port with a straightened paper clip. Never use a wooden toothpick as it may break off and clog the port.
5. If inserts or other obstructions are blocking the flow of gas through the burner, call customer service at 1-800-913-8999 in USA, 1-800-648-5864 in Canada.

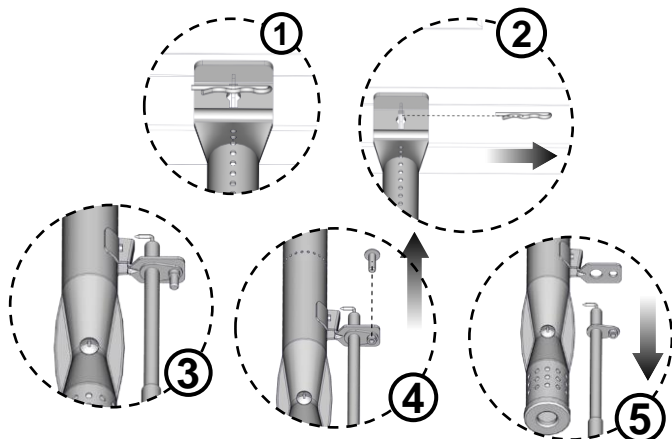
Warning: If you wish to replace main burner, we strongly recommend that you hire a professionally trained technician to replace it. Please understand that we will not be responsible for any liability, personal injury, or property damage resulting from an improperly assembled burner.

HOW TO REPLACE MAIN BURNER

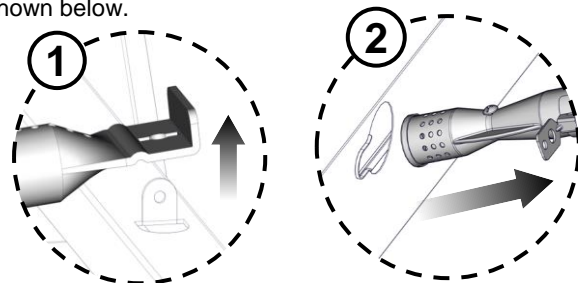
Step 1. Remove the griddle and lid



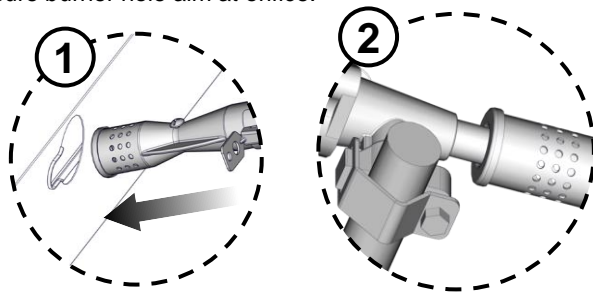
Step 2. Remove the main burner "R" pin on the back wall of fire box by using needle nose pliers. Use a flathead screwdriver to remove burner pin cover,



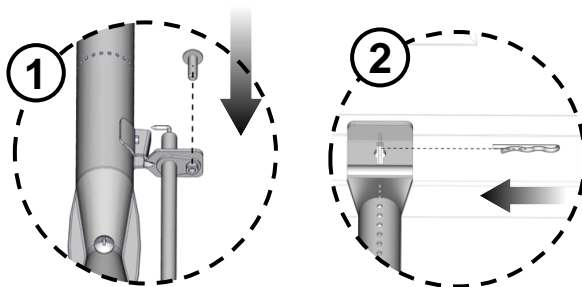
Step 3. Then remove the burner from the fire box, as shown below.



Step 4. Insert the burner onto the orifice and secure the burner pin cover on the burner, as shown below. Make sure burner hole aim at orifice.



Step 5. Screw the burner pin and install the burner "R" pin on the back wall of fire box. And put the griddle and the lid back to the fire box.



Seasoning Your Griddle

IMPORTANCE OF GRIDDLE SEASONING

It is very important to maintain a seasoned griddle surface in order to maintain optimum performance and long life of the griddle. Seasoning your griddle serves two purposes:

- a) It prevents rust and corrosion.
- b) It creates a permanent non-stick cooking surface.

Seasoning is a process that continuously improves throughout the life of your griddle. Proper care and maintenance as well as seasoning after each use will result in a better cooking experience.

FIRST TIME USE

Your griddle comes pre-seasoned with a coating of cooking oil to prevent corrosion and damage during the shipping process. Before using your griddle for the first time, wash the top and insides of the griddle surface with hot, soapy water. Never use soap on your griddle AFTER FIRST USE. Rinse and dry completely then continue to seasoning steps.

SEASONING YOUR GRIDDLE

1. Thoroughly clean off food residue.
2. Evenly apply a generous amount of cooking oil (flax seed, olive, vegetable, etc.) to the hot griddle surface.
3. Using a paper towel, carefully spread cooking oil to entire hot griddle surface.
4. Allow the griddle to cool completely before storing in a cool, dry place.

AFTER EACH USE

To clean your griddle following each use, gently scrape any remaining food residue with a spatula and wipe with a towel. To remove stuck food, pour hot water onto griddle surface to loosen residue or use ¼ cup of table salt to act as an abrasive. Next, follow steps for "SEASONING YOUR GRIDDLE".

Grill Hints

The doneness of meat, whether rare, medium, or well done, is affected to a large degree by the thickness of the cut. Expert chefs say it is impossible to have a rare doneness with a thin cut of meat.

The cooking time is affected by the kind of meat, the size and shape of the cut, the temperature of the meat when cooking begins, and the degree of doneness desired.

When defrosting meats it is recommended that it be done overnight in the refrigerator as opposed to a microwave. This in general yields a juicier cut of meat.

Use a spatula instead of tongs or a fork to turn the meat, as a spatula will not puncture the meat and let the juices run out.

To get the juiciest meats, add seasoning or salt after the cooking is finished on each side and turn the meat only once (juices are lost when the meat is turned several times). Turn the meat just after the juices begin to bubble to the surface.

Trim any excess fat from the meat before cooking. To prevent steaks or chops from curling during cooking, slit the fat around the edges at 2-inch intervals.

DO NOT LEAVE THE GRILL UNATTENDED WHILE COOKING.

Ordering Parts

HOW TO ORDER REPLACEMENT PARTS

To make sure you obtain the correct replacement part(s) for your gas grill, please refer to the parts list on pages 31. The following information is required to assure getting the correct part. Please note the shipping cost for the delivery of any replacement parts will be on yourself.

- Gas grills model number (see data sticker on grill).
- Part number of replacement part needed.
- Description of replacement part needed.
- Quantity of parts needed.

To obtain replacement parts, contact Nexgrill Customer Relations, 1-800-913-8999 in USA, 1-800-648-5864 in Canada.

IMPORTANT

Use only factory authorized parts. The use of any part that is not factory authorized can be dangerous. This will also void your warranty.

Keep this assembly and operating instruction manual for convenient referral, and for replacement parts ordering.

Troubleshooting

SPIDER AND INSECT WARNING

WHEN TO LOOK FOR SPIDERS

You should inspect the burners at least once a year or immediately after any of the following conditions occur:

1. The smell of gas in conjunction with the burner flames appearing yellow.
2. The grill does not reach temperature.
3. The grill heats unevenly.
4. The burners make popping noises.

BEFORE CALLING FOR SERVICE

If the grill does not function properly, use the following check list before contacting your dealer for service. You may save the cost of a service call.

PREHEATING: It is necessary to preheat the grill before cooking certain foods, depending on the type of food and the cooking temperature. Food that requires a high cooking temperature needs a pre-heat period of five minutes. Food that requires a lower cooking temperature needs only a period of two to three minutes.

CAUTION: If burners go out during operation, close gas supply at source, and turn all gas valves off. Wait five minutes before attempting to re-light (this allows accumulated gas fumes to clear).

CAUTION: Should a grease fire occur, close gas supply at source and turn off all burners.

CAUTION: DO NOT attempt to disconnect any gas fitting while your grill is in operation. As with all appliances, proper care and maintenance will keep them in top operating condition and prolong their life. Your gas grill is no exception.

PROBLEM	SOLUTION
When attempting to light my grill, it will not light immediately.	Make sure you have a spark while you are trying to light the burner (if no spark). Ensure that the wire is connected to the electrode assembly. Check if the battery is installed properly. Clean wire(s) and / or electrode with rubbing alcohol and a clean swab. Wipe with a clean cloth. Check to see if the other burners operate. If so. Check the gas orifice on the malfunctioning burner for an obstruction.
Regulator makes noise.	Vent hose on the regulator may be plugged or regulator may be faulty. Ensure the vent hole on the regulator is not obstructed. Clear the hole, close the gas control valves. Wait ten minutes and re-start. Check your flames for proper performance. If the flames are not correct, replace regulator.
Full size cover does not fit the grill.	Cover may be incorrect for your grill. It may be a tight fit. Ensure the cover is the correct length for your grill. Measure it left to right. Compare to the grill's measurement. Compare the location and size of the hood portion of the cover to your grill. Spread the cover and allow it to relax, preferably in warm sunlight or in a warm room. For grill with a side shelf bunch the cover like a sock, put on left to right.
Burner flames are not light blue.	Too much or not enough air for the flame. Elevation is the principal cause, however cold weather can affect the mixture. Burner adjustment may be required. Grill is in a windy location.

Mesures de sécurité



DANGER

S'il y a une odeur de gaz :

1. Coupez l'alimentation du gaz à l'appareil.
2. Éteignez toute flamme nue.
3. Si l'odeur persiste, tenez-vous à l'écart de l'appareil et contactez immédiatement votre fournisseur de gaz ou le service des pompiers.

AVERTISSEMENT

1. Ne pas entreposer ou utiliser de l'essence ou tout autre liquide ou vapeur inflammable près de cet appareil ou de tout autre appareil.
2. Une bouteille de gaz propane liquide qui n'est pas branchée pour utilisation ne doit pas être entreposée près de cet appareil ou de tout autre appareil.

-  La non-conformité aux présentes consignes peut déclencher un incendie ou une explosion qui sont susceptibles d'entraîner des lésions corporelles graves voire la mort ou des dommages matériels.
-  Votre gril deviendra très chaud. Ne vous penchez jamais au-dessus de l'aire de cuisson pendant l'utilisation de votre gril. Ne touchez pas aux surfaces de cuisson, au boîtier du gril, au couvercle ou à toute autre pièce pendant l'utilisation du gril et tant qu'il n'a pas refroidi après l'usage.

AVERTISSEMENT

Ne pas allumer cet appareil sans avoir lu la section INSTRUCTIONS D'ALLUMAGE dans ce manuel.

TESTÉ CONFORMÉMENT À LA NORME CSA/ANSI Z21.58-2022• CSA 1.6-2022 POUR APPAREILS DE GAZ DE CUISSON UTILISÉS À L'EXTÉRIEUR. CE GRIL DOIT ÊTRE UTILISÉ À L'EXTÉRIEUR UNIQUEMENT.

Codes d'installation du gril

Vérifiez les codes du bâtiment locaux concernant la méthode d'installation appropriée. En l'absence de ces derniers, l'unité doit être installée conformément au code national de gaz de combustion ANSI Z223.1/NFPA 54, code d'entreposage et de manutention de gaz propane liquéfié ANSI /NFPA B149.2 ou au code d'installation de gaz naturel et de gaz propane CSA B149.1 et au code national d'électricité, ANSI/NFPA 70.

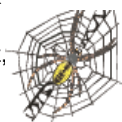
Utilisation appropriée de la bouteille de gaz PL

Les modèles de gril au propane liquide sont destinés à être utilisés avec un réservoir de propane liquide standard 9 kg (20 lb), non compris avec le gril. **Ne branchez jamais** votre gril à gaz à un réservoir de propane liquide dépassant cette capacité.

REMARQUE : l'écoulement normal des gaz à travers l'ensemble tuyau et régulateur peut donner engendrer un bourdonnement. À faible volume, ce bruit est tout à fait normal et n'affecte pas le fonctionnement du gril. Par contre, si le bourdonnement est bruyant et excessif, il peut s'avérer nécessaire de purger l'air du conduit de gaz ou remettre en place le régulateur d'écoulement de gaz. Cette purge devrait être effectuée à chaque fois qu'un nouveau réservoir de LP est branché à votre gril.

MISE EN GARDE : Attention au retour de flamme

MISE EN GARDE : les araignées et les petits insectes tissent parfois ou font des nids dans les tuyaux de brûleurs pendant le transport et l'entreposage. Bloquant l'écoulement du gaz, ces toiles peuvent être la cause d'un incendie à l'intérieur et autour des tuyaux de brûleurs. Ce type d'incendie, connu sous le nom de « RETOUR DE FLAMME », peut provoquer de graves dégâts dans votre gril et affecter les conditions de fonctionnement qui deviennent dangereuses pour l'utilisateur.



Bien qu'un tuyau de brûleur bloqué ne soit pas la seule cause de ces « RETOURS DE FLAMME », il s'agit néanmoins de la cause la plus commune.

Pour réduire le risque de « RETOURS DE FLAMME », vous devez nettoyer les tuyaux de brûleurs avant de monter votre gril et au moins une fois par mois à la fin de l'été et au début de l'automne lorsque les araignées sont particulièrement actives. Nettoyez également les tuyaux de brûleurs si votre gril n'a pas servi pendant une longue période. Un tube bouché peut favoriser un feu en dessous du gril.



Flamme de propane liquide
(le cas échéant)

Vérifiez la flamme des brûleurs avant chaque utilisation. Les flammes doivent ressembler à celles de l'illustration. Si ce n'est pas le cas, voir la section sur la maintenance des brûleurs dans ce manuel.

Mesures de sécurité

Système d'alimentation de gaz PL

- Si ces consignes ne sont pas suivies à la lettre, un incendie peut se produire et entraîner des lésions corporelles graves voire la mort.
- La capacité maximale d'un réservoir de propane liquide est de 9 kg avec un diamètre d'environ 31 cm sur une hauteur de 46,35 cm.
- Ce dispositif de sécurité empêche un remplissage excessif de la bouteille qui pourrait entraîner le dysfonctionnement de la bouteille de gaz LP, du régulateur ou du gril.
- La bouteille de gaz d'alimentation PL à utiliser doit être fabriquée et marquée conformément aux spécifications pour bouteilles de gaz PL stipulées par le Département des transports des États-Unis (DOT) ou la Norme nationale du Canada, CAN/CSA –B339, bouteilles, bouteilles sphériques, et tubes utilisés pour le transport de marchandises dangereuses.
- La bouteille de gaz PL doit disposer d'un robinet d'arrêt menant à une sortie du robinet de PL compatible avec le Type 1. La bouteille de gaz LP doit être munie d'un robinet d'arrêt aboutissant à la sortie du robinet spécifié pour le raccordement de type QCC1 conformément à la norme pour le raccordement de la sortie et l'entrée du robinet de bouteille de gaz comprimé ANSI/CGA-V-1, selon le cas. La bouteille de gaz PL doit être munie d'un dispositif anti-débordement (ODP). La bouteille de PL doit également être munie d'un opercule de sécurité ayant un lien direct avec l'espace de vapeur de la bouteille.
- Le système d'alimentation de la bouteille doit être arrangé de manière à permettre le retrait de vapeur.
- Le réservoir de LP utilisé doit être muni d'un collier pour protéger la valve du réservoir.
- Placez le bouchon anti-poussière sur la sortie du robinet de la bouteille en tout temps lorsque vous n'utilisez pas la bouteille. N'installez que le type de bouchon anti-poussière qui est fourni avec le robinet de la bouteille. Les autres types de bouchon peuvent entraîner des fuites du propane.
- **Ne jamais** brancher un réservoir de GPL non réglementé à votre gril à gaz.
- Cet appareil de cuisson à gaz pour extérieur est équipé d'un ensemble tuyau/régulateur grande capacité destiné au raccordement d'une bouteille de propane liquide de 9 kg. Bouteille de gaz propane.
- Faites remplir votre bouteille de PL par un fournisseur de gaz de propane fiable et exigez une inspection visuelle et une requalification lors de chaque remplissage.
- Ne rangez pas de bouteille de gaz PL de rechange sous ou près de cet appareil.
- Ne jamais remplir la bouteille à plus de 80 pour cent de sa capacité.
- Maintenez toujours les réservoirs de GPL en position verticale.
- N'entreposez pas et n'utilisez pas d'essence ou tout autre vapeur et liquide inflammables près de cet appareil ou de tout autre appareil.
- L'entreposage intérieur d'un appareil de cuisson à gaz pour extérieur est autorisé uniquement si la bouteille est déconnectée et enlevée de l'appareil de cuisson à gaz pour extérieur.
- Lorsque vous n'utilisez pas le gril à gaz, vous devez éteindre le gaz à partir de la bouteille de PL.
- Lorsque vous n'utilisez pas l'appareil de cuisson à gaz pour extérieur, le gaz doit être éteint au niveau de la bouteille.
- La bouteille de gaz PL doit être entreposé à l'extérieur dans des zones bien ventilées et hors de la portée des enfants. Les réservoirs de LP non branchés ne doivent pas être entreposés dans un bâtiment, un garage ou tout autre emplacement fermé.
- Ne pas bloquer le courant de ventilation autour du boîtier du gril à gaz. Utilisez seulement l'ensemble tuyau et régulateur fourni avec votre gril à gaz. Tous les ensembles tuyaux et régulateurs de remplacement doivent correspondre à ceux spécifiés dans le présent manuel.

L'ensemble tuyau et régulateur doit être inspecté avant chaque utilisation du gril. En cas d'abrasion ou d'usure excessives ou si le tuyau est coupé, vous devez remplacer le tuyau avant de réutiliser le gril. Le tuyau de rechange doit être celui qui a été spécifié par le fabricant.

- Utilisez uniquement l'ensemble tuyau et régulateur de pression fourni avec l'appareil à gaz de cuisson pour extérieur. Ne jamais substituer par d'autres types de régulateur. Contactez le service à la clientèle pour obtenir des pièces de remplacement spécifiées par le fabricant.
- Cet appareil à gaz de cuisson pour extérieur est muni d'un régulateur de pression conforme à la norme pour vannes de régulation de pression pour gaz PL ANSI/UL 144.
- Nettoyez toujours les débris de l'arrière et du chariot latéral. Maintenez les cordons électriques ou celui du moteur de la rôtisserie à l'écart des zones chauffées du gril.
- Ne jamais utiliser le gril dans des conditions particulièrement venteuses. Si le gril doit être installé dans une zone venteuse (près de l'océan, en montagne, etc.), un pare-vent est requis. Toujours adhérer aux spécifications de l'espace requis.
- Ne jamais utiliser de bouteille de propane bosselée ou rouillée.
- Maintenir le cordon électrique et du tuyau d'alimentation de combustibles à l'écart de toute surface chauffante.
- Lors de l'allumage, maintenez votre visage et vos mains aussi loin que possible du gril.
- Le réglage du brûleur ne doit être effectué qu'une fois que le brûleur a refroidi.

EMPLACEMENT ET ESPACE APPROPRIÉS AUTOUR DU GRIL

- Ne jamais utiliser votre gril à gaz dans un garage, sur un patio, dans une remise, dans un passage recouvert ou dans tout autre endroit fermé. Le gril à gaz ne peut être utilisé qu'à l'extérieur. Ne pas installer cette unité dans des enclos combustibles. L'espace minimum de tous les côtés et de l'arrière de l'unité jusqu'à la construction combustible doit être de 91 cm des côtés et 91 cm de l'arrière.
- **NE PAS** utiliser cet appareil sous des surfaces combustibles recouvertes. Cet appareil de cuisson à gaz pour extérieur n'est pas censé être installé dans ou sur des véhicules récréatifs ou des bateaux.

AVERTISSEMENT

Votre gril deviendra très chaud. Ne vous penchez jamais au-dessus de l'aire de cuisson pendant l'utilisation de votre gril. Ne touchez pas aux surfaces de cuisson, au boîtier du gril, au couvercle ou à toute autre pièce pendant l'utilisation du gril et tant qu'il n'a pas refroidi après l'usage.

Le non-respect de ces consignes peut entraîner des lésions corporelles graves.

Mesures de sécurité

AVERTISSEMENT

Ayez toujours à disposition un flacon pulvérisateur rempli d'eau savonneuse près du robinet de gaz et vérifiez les raccordements avant d'utiliser le gril.

NE PAS LAISSER LE GRIL SANS SUPERVISION PENDANT LA CUISSON.

PRATIQUES DE SÉCURITÉ POUR ÉVITER LES BLESSURES CORPORELLES

Lorsqu'il est correctement entretenu, votre gril fournira un service sûr et fiable pendant de nombreuses années. Cependant, des précautions extrêmes doivent être utilisées car le gril produit une chaleur intense qui peut augmenter le risque d'accident. Lors de l'utilisation de cet appareil, les pratiques de sécurité de base doivent être suivies, notamment les suivantes :

Ne réparez ni ne remplacez aucune partie du gril, sauf indication particulière dans ce manuel. Tous les autres services doivent être référés à un technicien qualifié.

Les enfants ne doivent pas être laissés seuls ou sans surveillance dans une zone où le gril est utilisé. Ne leur permettez pas de s'asseoir, de se tenir debout ou de jouer dans ou autour du gril à tout moment. N'entreposez pas d'articles d'intérêt pour les enfants autour ou sous le gril.

Ne laissez pas les vêtements, les porte-pots ou d'autres matériaux inflammables entrer en contact avec une grille, un brûleur ou une surface chaude ou trop près de ceux-ci jusqu'à ce qu'ils soient refroidis. Le tissu pourrait s'enflammer et causer des blessures.

Pour votre sécurité personnelle, portez des vêtements appropriés. Les vêtements ou les manches amples ne doivent jamais être portés lors de l'utilisation de cet appareil. Certains tissus synthétiques sont très inflammables et ne doivent pas être portés pendant la cuisson.

Seuls certains types de verre, de vitrocéramique à l'épreuve de la chaleur, de faïence ou d'autres ustensiles vitrés conviennent à l'utilisation du gril. Ces matériaux peuvent se briser avec des changements de température soudains. Utiliser uniquement sur des réglages de chaleur faible ou moyenne conformément aux directives du fabricant.

Ne pas chauffer les contenants alimentaires non ouverts. Une accumulation de pression peut provoquer l'éclatement des conteneurs.

Lorsque vous allumez un brûleur, portez une attention particulière à ce que vous faites. Assurez-vous de savoir quel brûleur vous allumez, afin que votre corps et vos vêtements restent à l'écart des flammes nues.

Lorsque vous utilisez le gril, ne touchez pas l'environnement immédiat car ces zones deviennent extrêmement chaudes et pourraient causer des brûlures. N'utilisez que des porte-pots secs. Les porte-pots humides ou humides sur les surfaces chaudes peuvent causer des brûlures à la vapeur. N'utilisez pas de serviette ou de chiffon encombrant en place ou de porte-pot. Ne permettez pas aux porte-pot de toucher des parties chaudes du gril.

Nettoyez le gril avec prudence. Pour éviter les brûlures à la vapeur, n'utilisez pas d'éponge ou de chiffon humide pour nettoyer le gril lorsqu'il fait chaud. Certains nettoyeurs produisent des vapeurs toxiques ou peuvent s'enflammer s'ils sont appliqués sur une surface chaude.

Pour un éclairage et des performances corrects des brûleurs, gardez les ports du brûleur propres. Il est nécessaire de les nettoyer périodiquement pour des performances optimales. Les brûleurs ne fonctionneront que dans une seule position et doivent être montés correctement pour un fonctionnement en toute sécurité.

Éteignez les commandes du gril et assurez-vous que le gril est frais avant d'utiliser tout type de nettoyant pour aérosols sur ou autour du gril. Le produit chimique qui produit l'action de pulvérisation pourrait, en présence de chaleur, enflammer ou provoquer la corrosion de pièces métalliques.

Gardez la zone entourant le gril exempte de matériaux combustibles, y compris les fluides, les déchets et les vapeurs telles que l'essence ou le liquide de briquet au charbon de bois.

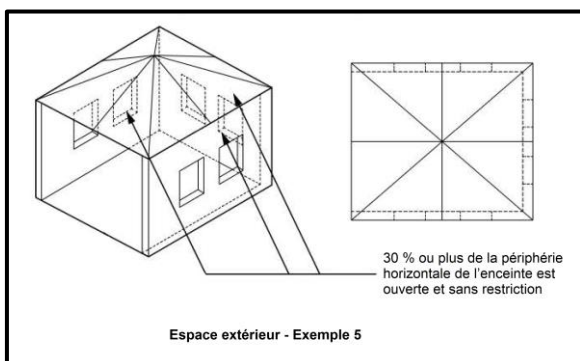
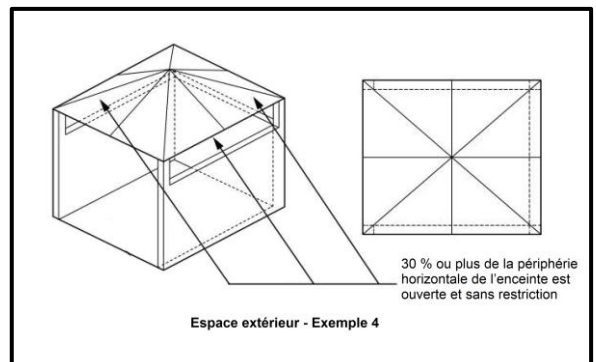
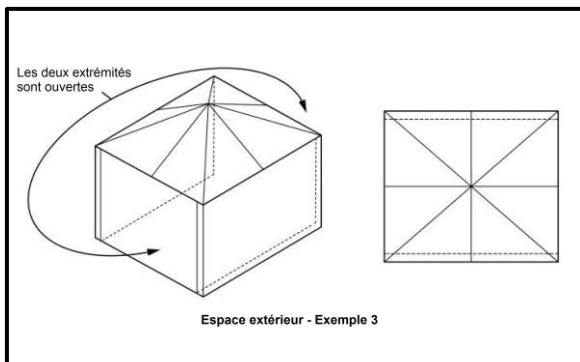
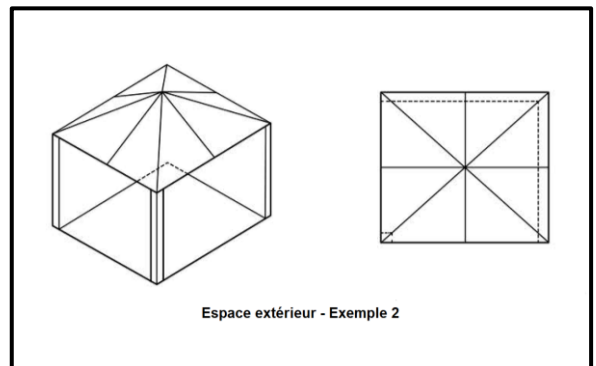
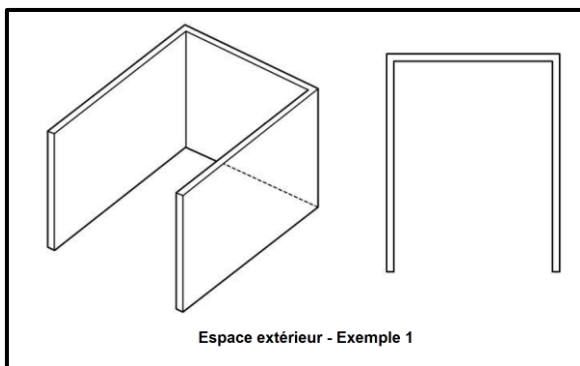
La graisse est inflammable. Laissez la graisse chaude refroidir avant de tenter de la manipuler. Évitez de laisser les dépôts de graisse s'accumuler dans le bac à graisse. Videz le gobelet à graisse après chaque utilisation.

N'utilisez jamais d'eau sur un feu de graisse. Il peut en résulter des blessures corporelles.

Représentation Schématique Des “Espaces Extérieur”

Cet appareil ne doit être utilisé que dans une situation d'air libre en surface avec ventilation naturelle, sans zones stagnantes, où les fuites de gaz et les produits de combustion sont rapidement dispersés par le vent et la convection naturelle.

1. Un appareil est considéré comme étant à l'extérieur s'il est installé avec un abri non plus inclusif qu'avec des murs sur trois côtés, mais sans couvercle supérieur; toutes les ouvertures doivent être ouvertes de façon permanente; les portes coulissantes, les portes de garage, les fenêtres ou les ouvertures grillagées ne sont pas considérées comme des ouvertures permanentes.
2. Un appareil est considéré comme étant à l'extérieur s'il est installé avec un abri pas plus inclusif que dans un enclos partiel qui comprend un couvercle supérieur et pas plus de deux parois latérales. Les parois latérales peuvent être parallèles, comme dans un brise-vent, ou à angle droit les unes par rapport aux autres; toutes les ouvertures ne sont pas considérées comme des ouvertures permanentes.
3. Un appareil est considéré comme étant à l'extérieur s'il est installé avec un abri pas plus inclusif qu'avec une enceinte partielle qui comprend un couvercle supérieur et trois parois latérales, à condition que 30% ou plus de la périphérie horizontale de l'enceinte soit ouverte en permanence. Toutes les ouvertures doivent être ouvertes en permanence; les portes coulissantes, les portes de garage, les fenêtres ou les ouvertures grillagées ne sont pas considérées comme des ouvertures permanentes.



Raccordement au gaz

NE JAMAIS CONNECTER À L'APPAREIL DE LIGNE D'ALIMENTATION DE GAZ SANS RÉGULATEUR. UTILISER L'ENSEMBLE TUYAU/RÉGULATEUR FOURNI.

Ce gril est configuré pour fonctionner au propane liquide. Ne pas utiliser de gaz naturel à moins que le gril n'ait été reconfiguré pour le gaz naturel. Consommation totale du gaz (à l'heure) de ce gril en acier inoxydable avec tous les brûleurs réglés sur HIGH:

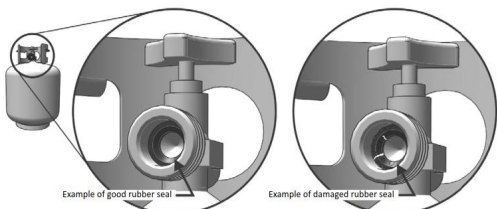
Brûleur principal 4 x 9,500 BTU/hr.
Total 38,000 BTU/hr.

CONDITIONS RELATIVES AUX BOUTEILLES DE PL

Une bouteille de propane liquide qui serait cabossée ou rouillée doit être inspectée par votre fournisseur de gaz PL. Ne jamais utiliser de bouteille dont le robinet est endommagé. La bouteille de propane liquide doit être fabriquée et marquée conformément aux spécifications pour bouteilles de gaz PL régies par le Département des transports des États-Unis (DOT) ou régies par la Norme nationale du Canada CAN/CANB339, bouteilles, bouteilles sphériques et tubes utilisés pour le transport de marchandises dangereuses, tel qu'applicable. Un dispositif anti-débordement (ODP) doit être installé sur la bouteille avec une connexion QCC1 sur le robinet de la bouteille conformément à ANSI/CGA-V-1. Le système d'alimentation de la bouteille doit être arrangé de manière à permettre le retrait de vapeur. La bouteille doit inclure un collier pour la protection du robinet de la bouteille. La bouteille doit disposer d'un robinet d'arrêt menant à une sortie de robinet de la bouteille d'alimentation de gaz PL spécifié, selon le cas, pour un raccord de type QCC1 selon la norme pour le raccordement à la sortie et l'entrée du robinet de bouteille de gaz comprimé ANSI/CGA-V-1. Pression du collecteur : 27,94 cm colonne d'eau (W.C.).

INSPECTION DES JOINTS D'ÉTANCHÉITÉ EN CAOUTCHOUC DES CITERNES

1. L'élément d'étanchéité de la face du cylindre en élastomère sur ces dispositifs pourrait, au fil du temps, montrer des dommages marqués et visibles ou une détérioration qui pourrait causer une fuite même avec la connexion resserrée.
2. L'inspection visuelle du joint doit être effectuée chaque fois qu'une bouteille de gaz LP est remplacée ou rechargée.
3. La bouteille de gaz LP montrant des signes de dommage ou de détérioration, y compris des fissures et des piqûres visibles, doit être remise au vendeur.



La bouteille doit être montée de telle sorte que la sortie de la valeur de décompression ne soit pas orientée vers la position de fonctionnement normale de l'utilisateur.

RACCORDEMENT DU GAZ PL

Assurez-vous que les œillets en plastique noir sur le robinet de la bouteille de propane sont en place et que le tuyau n'entre pas en contact avec le foyer du gril.

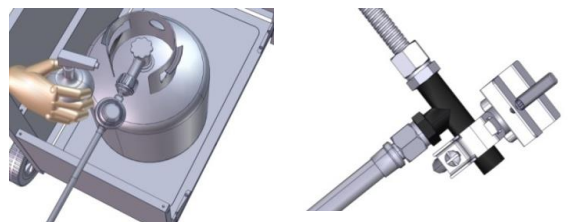
RACCORDEMENT

Votre gril en acier inoxydable est équipé d'orifices d'alimentation de gaz pour utilisation uniquement avec du propane liquide. Cet appareil est également équipé d'un ensemble tuyau/régulateur grande capacité destiné au raccordement d'une bouteille de propane liquide de 9 kg (hauteur 46,35 cm, diamètre de 31 cm). Pour connecter la bouteille de propane liquide, procédez comme suit:

1. Assurez-vous que le robinet de la bouteille est fermé (tourné dans le sens horaire pour l'arrêt).
2. Vérifiez le robinet de la bouteille pour assurer qu'elle dispose de filets externes appropriés (raccordement de type 1 conformément à ANSI Z21.81)



3. Assurez-vous que toutes les valves des brûleurs sont en position fermée (OFF).
4. Inspectez les connexions de valve, l'orifice ainsi que le régulateur. Effectuez une inspection afin de détecter tout dégât ou débris, et enlevez-les, si présents. Inspectez le tuyau pour voir s'il est endommagé. Ne jamais utiliser de matériel endommagé ou bouché. Consultez le revendeur local de propane liquide pour toute réparation.
5. Lorsque vous joignez le régulateur à la valve, serrez l'écrou à raccord rapide à la main dans le sens horaire jusqu'à l'arrêt complet. Ne pas utiliser de clé pour serrer. Elle risque d'endommager l'écrou à raccord rapide, ce qui pourrait entraîner une situation dangereuse.
6. Ouvrez lentement complètement le robinet de la bouteille (en tournant dans le sens antihoraire). Appliquez la solution savonneuse avec une brosse propre à tous les joints de gaz. Voir ci-dessous. Si des bulles se forment dans la solution, les joints ne sont pas scellés correctement. Vérifiez chaque raccord, et serrez ou réparez au besoin.



Raccordement au gaz / Test de fuite

7. En cas de fuite dans le joint de gaz que vous ne pouvez réparer, éteignez le gaz du réservoir d'alimentation (position OFF), débranchez la conduite d'alimentation de votre gril et appelez le 1-800-913-8999 ou votre fournisseur de gaz pour de l'aide à la réparation.
8. Appliquez également la solution savonneuse aux rivures du réservoir. Voir ci-dessous. Si des bulles se forment, éteignez le réservoir, ne l'utilisez pas et ne le déplacez pas! Demandez de l'aide à un fournisseur en PL ou à votre service de pompiers.

Pour déconnecter la bouteille de PL:

1. Mettez les valves de brûleurs sur arrêt (OFF).
2. Tournez le robinet de la bouteille complètement (dans le sens horaire pour l'arrêt).
3. Détachez l'ensemble du régulateur du robinet de la bouteille en tournant l'écrou à raccord rapide dans le sens antihoraire.

GÉNÉRALITÉS

Bien que les raccords de gaz sur le gril aient été testés pour les fuites à l'usine avant l'expédition, un contrôle doit être effectué sur site pour garantir que les raccords sont bien serrés pour parer à toute éventualité de mauvaise manipulation pendant l'expédition ou de pression excessive exercée involontairement sur l'unité. Vérifiez régulièrement qu'il n'y a pas de fuite dans le système en procédant comme suit. Si vous sentez une odeur de gaz, vous devez immédiatement inspecter le système en entier pour détecter les fuites potentielles.

AVANT DE PROCÉDER AU TEST

Assurez-vous que tous les matériaux d'emballage ont été enlevés gril, y compris les sangles de fixation.

NE PAS FUMER PENDANT LE TEST DE FUITE.

NE JAMAIS TESTER LES FUITES AVEC UNE FLAMME NUE.

Préparez une solution savonneuse moitié détergent liquide et moitié eau. Vous avez besoin d'un flacon pulvérisateur ou d'une brosse ou d'un chiffon pour appliquer la solution sur le raccord. Lors du test de fuite initiale, assurez-vous que la bouteille de propane liquide est pleine à 80 %.

POUR TESTER

1. Assurez-vous que les valves de commande sont en position d'arrêt, OFF et ouvrez l'alimentation de gaz.
2. Assurez-vous que toutes les connexions du régulateur du gaz PL et de la valve d'alimentation jusqu'à et y compris le raccordement au tuyau du collecteur (le tuyau qui va aux brûleurs) sont bien serrées. Des bulles de savon se formeront s'il y a une fuite.
3. Si une fuite est présente, tournez immédiatement l'alimentation du gaz sur arrêt et resserrez les raccords ayant des fuites.
4. Remettez le gaz sur marche et effectuez un nouveau contrôle.
5. Si le gaz fuit toujours de l'un des raccords, tournez l'alimentation du gaz sur arrêt et contactez le service clientèle.



Utilisez uniquement les pièces recommandées par le fabricant sur le gril.

Toute substitution annulerait la garantie. Ne pas utiliser le gril sans avoir contrôlé tous les raccords et déterminé l'absence de fuites.

VÉRIFICATION DU FLUX DE GAZ

Les brûleurs du gril sont testés et réglés à l'usine avant leur expédition ; toutefois, des différences dans l'alimentation du gaz local peuvent exiger le réglage des brûleurs. Les flammes des brûleurs doivent être vérifiées visuellement.

Les flammes doivent être bleues et stables sans bouts jaunes ni bruit excessif ou soulèvement. En présence de l'une de ces conditions, vérifiez si l'obturateur d'air ou les orifices des brûleurs sont bloqués par des saletés, débris, toiles d'araignée, etc. Veuillez adresser vos questions sur la stabilité des flammes au service clientèle.

TOUJOURS VÉRIFIER LA PRÉSENCE DE FUITE APRES CHAQUE CHANGEMENT DE LA BOUTEILLE DE PL

Avant chaque utilisation, vérifiez tous les raccords d'alimentation de gaz pour détecter les fuites. Il est recommandé de conserver un flacon pulvérisateur d'eau savonneuse près de la valve d'arrêt de la conduite d'alimentation de gaz. Pulvérisez tous les raccords. La présence de bulles confirme les fuites.

Consignes d'allumage

Remarque : avant d'utiliser le gril, enlevez le matériau d'emballage, y compris les sangles

⚠ AVERTISSEMENT : IMPORTANT AVANT D'ALLUMER LE GRIL!

Inspectez le tuyau d'alimentation en gaz avant de mettre le gaz sur marche (ON). S'il semble y avoir des coupures, de l'usure ou de l'abrasion, le tuyau doit être remplacé avant toute utilisation. N'utilisez pas le gril si une odeur de gaz est présente. Utilisez uniquement l'ensemble tuyau et régulateur de pression fourni avec l'unité.

Ne jamais substituer l'ensemble tuyau/régulateur qui sont fournis avec le gril. En cas de remplacement nécessaire, contactez le fabricant pour obtenir le remplacement approprié. Le remplacement doit être celui qui a été spécifié par le manuel.

⚠ AVERTISSEMENT : maintenez toujours votre visage et votre corps aussi loin que possible du brûleur lors de l'allumage.

UTILISATION D'ORDRE GÉNÉRAL DU

La capacité de chaque brûleur principal est de 9,500 BTU/hr. Les brûleurs principaux du gril occupent la surface de cuisson totale et sont dirigés sur les côtés pour réduire tout blocage provenant de la graisse et des débris qui tomberaient. Les boutons d'allumage sont situés sur la partie inférieure du centre du panneau des valves. Les allumeurs rotatifs sont étiquetés sur le panneau de commande.

⚠ AVERTISSEMENT: Gardez toujours le couvercle ouvert lorsque vous utilisez la grille.

Température ambiante minimale de fonctionnement: 0 °F, (-17.8 °C)



BRÛLEUR PRINCIPAL

POUR ALLUMER LE BRÛLEUR PRINCIPAL

1. Ouvrez la valve de la bouteille de gaz (position ON).
2. Poussez et tournez le bouton de commande du brûleur correspondant sur le "⚡", tout en appuyant sur le bouton d'allumage pour allumer le brûleur.
3. Une fois le brûleur allumé, relâchez le bouton.
4. Si l'inflammation ne se produit pas en 5 secondes, tournez le bouton sur O et répétez la procédure d'éclairage.

ALLUMAGE AVEC UNE ALLUMETTE

Si le brûleur ne s'allume pas après plusieurs tentatives, vous pouvez essayer de l'allumer avec une allumette.

1. Prévoyez 5 minutes pour que tout gaz accumulé se dissipe.
2. Attachez une allumette à l'extrémité du bâtonnet d'allumage.
3. Allumez l'allumette.
4. Tenez le bâtonnet d'allumage et introduisez l'allumette allumée près des orifices du brûleur.
5. Appuyez sur le bouton de commande approprié que vous tournez en position ⚡.
6. Le brûleur devrait s'allumer immédiatement.

Chaque brûleur a son système d'allumage ajusté avant l'expédition; cependant des variations locales liées à l'alimentation en gaz peuvent nécessiter des ajustements mineurs.

N'essayez pas d'allumer le barbecue si une odeur de gaz est présente. Merci d'appeler le 1-800-913-8999.

Vérifiez toutes les connexions de gaz avant chaque utilisation.

Nettoyage et entretien

S'ASSURER QUE L'ALIMENTATION EN GAZ ET LES BOUTONNES SONT EN POSITION "OFF". ASSUREZ-VOUS QUE LA GRILLE EST FROIDE AVANT DE LA MANIPULER.

NETTOYAGE DU PLATEAU À GRAISSE

Le plateau à graisse doit être vidé et essuyé périodiquement, puis lavé dans une solution de savon doux et d'eau tiède. Une petite quantité de sable peut être placée dans le fond du plateau à graisse afin d'absorber la graisse. Vérifiez souvent le plateau à graisse et ne laissez pas d'excès de graisse s'accumuler et déborder du plateau à graisse.

BRÛLEURS DU GRIL

Prenez toutes les précautions nécessaires lorsque vous déplacez un brûleur qui doit toujours être correctement centré sur l'orifice avant de rallumer le gril. La fréquence du nettoyage dépend des utilisations de votre gril.

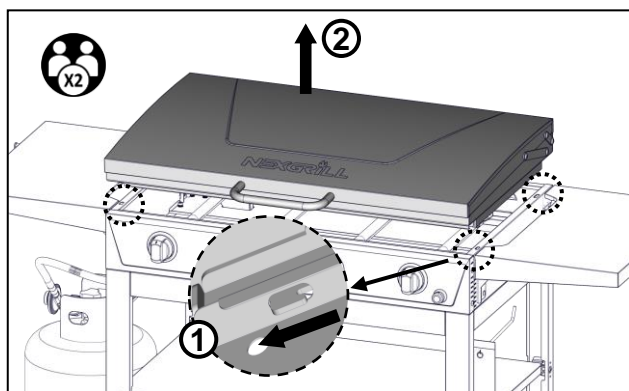
NETTOYAGE DES BRÛLEURS

1. Éteignez l'alimentation du gaz et veillez à ce que les boutons soient en position d'arrêt (OFF).
2. Attendez que le gril ait refroidi.
3. Nettoyez l'extérieur du brûleur avec une brosse métallique. Utilisez un grattoir métallique pour les tâches les plus tenaces.
4. Débloquez le port bouché avec un clip que vous déployez. N'utilisez jamais de cure-dents en bois. Ils peuvent se briser et boucher l'orifice.
5. Si des objets ou tout autre type d'obstacle bloque le flux du gaz dans le brûleur, appelez le service clientèle au 1-800-913-8999 aux États-Unis, 1-800-648-5864 au Canada.

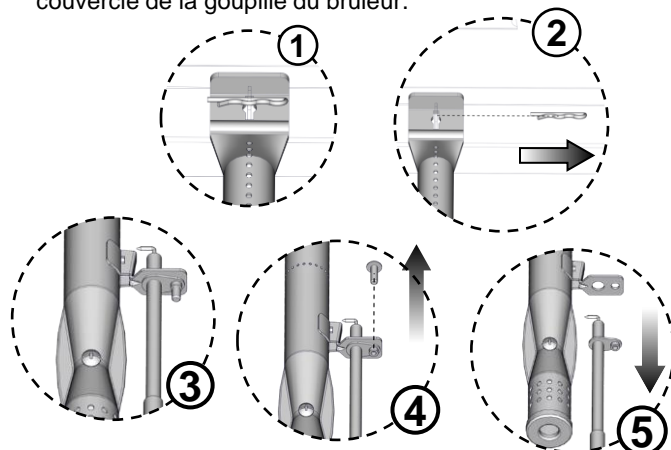
Avertissement : pour le remplacement du brûleur principal, nous recommandons vivement que vous engagiez un technicien professionnel qui se chargera de l'opération. Sachez que nous ne pouvons pas assurer la responsabilité des blessures ou dommages matériels qui pourraient survenir suite à une installation incorrecte du brûleur.

COMMENT REMPLACER LE BRÛLEUR PRINCIPAL

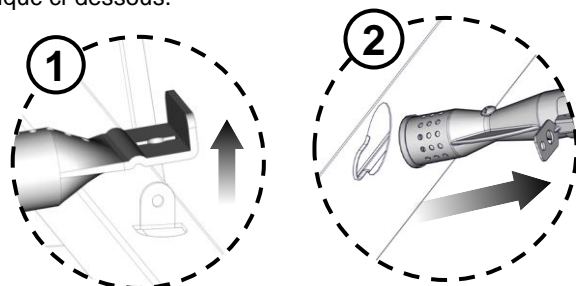
Étape 1. Retirez la grille et le couvercle



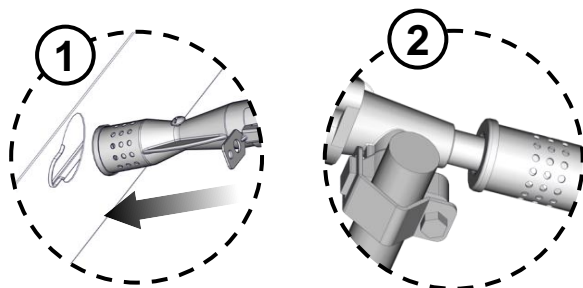
Étape 2. Retirez la goupille "R" du brûleur principal sur la paroi arrière de la boîte à feu en utilisant des pinces à nez d'aiguille. Utilisez un tournevis à tête plate pour retirer le couvercle de la goupille du brûleur.



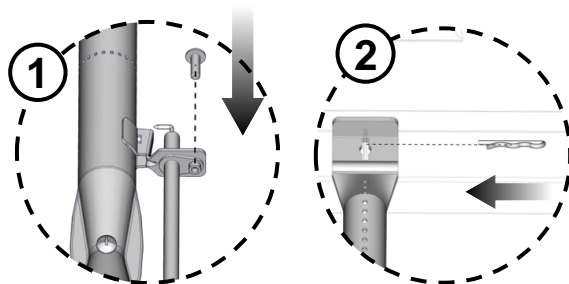
Étape 3. Retirez ensuite le brûleur de la boîte à feu, comme indiqué ci-dessous.



Étape 4. Insérez le brûleur sur l'orifice et fixez le couvercle de la goupille du brûleur sur le brûleur, comme indiqué ci-dessous. Assurez-vous que le trou de brûleur vise l'orifice.



Étape 5. Vissez la goupille du brûleur et installez la goupille "R" du brûleur sur la paroi arrière de la boîte de feu. Et remettez la grille et le couvercle à la boîte à feu.



Assaisonner votre plaque chauffante

IMPORTANTANCE DE SAISONNIER GRIDDLE

Il est très important de maintenir une surface de plaque chauffante assaisonnée afin de maintenir des performances optimales et une longue durée de vie de la plaque chauffante. Assaisonner votre plaque chauffante a deux objectifs:

- a) Il prévient la rouille et la corrosion.
- b) Il crée une surface de cuisson antiadhésive permanente.

L'assaisonnement est un processus qui s'améliore continuellement tout au long de la vie de votre plaque chauffante. Un entretien et un entretien appropriés ainsi que l'assaisonnement après chaque utilisation se traduiront par une meilleure expérience de cuisson.

PREMIÈRE UTILISATION

Votre plaque chauffante est pré-assaisonnée d'un enduit d'huile de cuisson pour prévenir la corrosion et les dommages pendant le processus d'expédition. Avant d'utiliser votre plaque chauffante pour la première fois, lavez le dessus et l'intérieur de la surface de la plaque chauffante avec de l'eau chaude savonneuse. N'utilisez jamais de savon sur votre plaque chauffante APRÈS LA PREMIÈRE UTILISATION. Rincez et séchez complètement, puis poursuivez les étapes d'assaisonnement.

ASSISONNER VOTRE GRILLE

1. Nettoyer soigneusement les résidus alimentaires.
2. Appliquez uniformément une quantité généreuse d'huile de cuisson (graines de lin, olives, légumes, etc.) sur la surface de la plaque chauffante.
3. À l'aide d'un essuie-tout, étalez soigneusement l'huile de cuisson sur toute la surface de la plaque chauffante.
4. Laissez la plaque chauffante refroidir complètement avant de la ranger dans un endroit frais et sec.

APRÈS CHAQUE UTILISATION

Pour nettoyer votre plaque après chaque utilisation, grattez délicatement les résidus d'aliments restants avec une spatule et essuyez avec une serviette. Pour retirer les aliments coincés, versez de l'eau chaude sur la surface de la plaque chauffante pour détacher les résidus ou utilisez ¼ de tasse de sel de table pour agir comme abrasif. Suivez ensuite les étapes pour "SAISONNIER VOTRE GRILLE".

Conseils relatifs au gril

La cuisson souhaitée de la viande, qu'elle soit saignante, moyennement ou bien cuite dépend en majeure partie de l'épaisseur de la coupe. Les chefs, experts en la matière, disent qu'il est impossible d'obtenir une viande saignante avec une tranche fine.

Le temps de cuisson dépend du type de viande, de la taille et de la forme de la coupe, de la température de la viande lorsque la cuisson commence et le type de cuisson souhaité.

Lorsque vous dégelez de la viande, il est recommandé de le faire dans le réfrigérateur pendant la nuit et non dans un micro-onde. Cette méthode permet d'obtenir une viande plus juteuse.

Utilisez une spatule et non des pinces ou une fourchette pour tourner la viande. La spatule ne perce pas la viande et laisse le jus couler.

Pour obtenir des viandes plus juteuses, ajoutez des assaisonnements ou du sel après la cuisson de chaque côté et ne tournez la viande qu'une seule fois (les jus se perdent lorsque vous tournez la viande plusieurs fois). Tournez la viande après que les jus commencent à former des bulles à la surface.

Coupez l'excès de graisse de la viande avant de la cuire. Pour que les biftecks ou les côtelettes ne s'enroulent pas pendant la cuisson, entaillez la graisse autour du bord à 5 cm d'intervalles.

NE PAS LAISSER LE GRIL SANS SUPERVISION PENDANT LA CUISSON.

Commande de pièces

COMMENT PASSER UNE COMMANDE DE PIÈCES DE REMPLACEMENT

Pour garantir que les pièces de remplacement convenant à votre gril à gaz seront envoyées, veuillez consulter les numéros de pièces sur les pages 33. Les informations suivantes sont requises pour assurer que la pièce envoyée est correcte. Prière de remarquer que les frais de livraison des pièces de rechange sont à votre charge.

- Numéro du modèle du gril au gaz (voir l'étiquette apposée sur le gril).
- Numéro de la pièce de remplacement nécessaire.
- Description de la pièce de remplacement nécessaire.

- Quantité de pièces requises

Pour obtenir des pièces de rechange, communiquez avec le Service à la clientèle de Nexgrill, au 1-800-913-8999 aux États-Unis, au 1-800-648-5864 au Canada.

IMPORTANT

Utilisez uniquement les pièces autorisées par l'usine. L'emploi de pièces qui ne seraient pas autorisées par l'usine peut être dangereux. Toute substitution annulerait votre garantie.

Conservez ce manuel d'instructions pour l'assemblage et de fonctionnement qui vous servira de référence et facilitera votre commande de pièces de remplacement.

Dépannage

AVERTISSEMENT CONCERNANT LES ARAIGNÉES ET LES INSECTES

À QUEL MOMENT FAUT-IL RECHERCHER LES ARAIGNÉES

Vous devriez inspecter les brûleurs au moins une fois par an ou immédiatement après l'une des situations suivantes :

- 1.L'odeur de gaz avec des flammes du brûleur jaunes.
- 2.Le gril n'atteint pas la température.
- 3.Le gril ne chauffe pas de manière uniforme.
- 4.Les brûleurs font des bruits d'éclat.

AVANT D'APPELER LE SERVICE À LA CLIENTÈLE

Si le gril ne fonctionne pas correctement, effectuez chaque vérification de la liste qui suit avant de contacter le service clientèle. Vous pouvez ainsi économiser les frais d'une intervention pour réparation.

PRÉCHAUFFAGE : Le couvercle du gril doit être fermé pendant la période de préchauffage. Il est nécessaire de préchauffer le gril avant de cuire certains aliments, selon leur type et la température de cuisson requise. Un préchauffage de cinq minutes est requis pour les aliments nécessitant une température de cuisson élevée ; un préchauffage de deux à trois minutes est requis pour les aliments nécessitant une température de cuisson plus basse.

MISE EN GARDE: si les brûleurs s'éteignent pendant l'opération, coupez le gaz à la source et éteignez toutes les valves de gaz. Ouvrez le couvercle et attendez cinq minutes avant de rallumer (cette attente permet de dissiper la fumée du gaz qui s'est accumulé).

MISE EN GARDE: si un feu de graisse se déclenche, coupez l'alimentation du gaz à la source et éteignez tous les brûleurs fermé jusqu'à ce que le feu se soit maîtrisé.

MISE EN GARDE: NE PAS débrancher le tuyau de gaz pendant que le gril est en marche. Comme pour n'importe quel autre appareil, un bon nettoyage et entretien permettent à ces appareils de fonctionner dans les meilleures conditions et d'avoir une vie utile plus longue. Votre gril au gaz ne fait pas exception à la règle.

PROBLÈME	SOLUTION
Lorsque j'essaie d'allumer mon gril, il ne s'allume pas immédiatement.	Assurez-vous qu'il y a une étincelle lorsque vous essayez d'allumer le brûleur (s'il n'y a pas d'étincelle) Assurez-vous que le fil est branché l'ensemble d'électrodes. Vérifiez que la pile est correctement installée. Nettoyez les fils et/ou les électrodes en les frottant avec de l'alcool et un écouvillon propre. Essuyez avec un chiffon propre. Vérifiez si les autres brûleurs fonctionnent. Si c'est le cas, vérifiez s'il y a une obstruction dans l'orifice de gaz du brûleur en fonctionnant pas.
Le régulateur fait du bruit.	Il est possible que le tuyau d'évent sur le régulateur soit bouché ou le régulateur soit défectueux. Vérifiez que le trou de l'évent sur le régulateur n'est pas bouché. Nettoyez le trou, fermez les valves de commande de gaz. Attendez une dizaine de minutes avant de rallumer. Vérifiez l'état des flammes afin de garantir une performance appropriée. Si les flammes ne sont pas correctes, remplacez le régulateur.
Housse pleine grandeur ne convenant pas au gril	Le couvercle peut être incorrect pour votre gril. Il peut être trop serré. Assurez-vous que la longueur du couvercle correspond à celle de votre gril. Mesurez la longueur de gauche à droite. Comparez à la mesure du gril. Comparez l'emplacement et la taille de la partie du capot du couvercle par rapport à votre gril. Étalez le couvercle et laissez se détendre, de préférence à la lumière du jour ou dans une pièce chaude. Pour le gril ayant une étagère latérale, pliez le couvercle en forme de chaussette, placez le de côté gauche vers la droite.
Les flammes des brûleurs ne sont pas d'une couleur bleue claire.	Trop ou pas assez d'air pour la flamme. L'élévation est la cause principale, toutefois un temps froid peut affecter le mélange. Les brûleurs doivent être réglés. Le gril est placé dans un endroit venteux.

Instrucciones de seguridad

⚠ PELIGRO

En caso de que usted huelga gas:

1. Cierre el suministro de gas del dispositivo.
2. Apague cualquier tipo de llama abierta.
3. Si el olor persiste, manténgase alejado del dispositivo y llame inmediatamente a su proveedor del servicio de gas o al departamento de bomberos.

⚠ ADVERTENCIA

1. No almacene ni use gasolina u otros líquidos o vapores inflamables en las cercanías de este o cualquier otro dispositivo.
2. No se debe almacenar en las cercanías de este o cualquier otro dispositivo un cilindro de propano líquido (LP, por sus siglas en inglés) que no esté conectado para su uso.

- ⚠ En caso de que estas instrucciones no se cumplieran, ello podría dar como resultado un incendio o una explosión que podría causar lesiones corporales graves, la muerte o daños a la propiedad.
- ⚠ Su parrilla llegará a tener una temperatura muy elevada. Nunca se incline sobre el área de cocción mientras use la parrilla. No toque las superficies de cocción, la carcasa de la parrilla, la tapa u otras partes de la parrilla mientras se encuentra en uso o hasta que la parrilla a gas se haya enfriado después del uso.

⚠ ADVERTENCIA

No intente encender este dispositivo sin antes leer la sección "INSTRUCCIONES DE ENCENDIDO" en el presente manual.

PROBADO CONFORME AL ESTÁNDAR CSA/ANSI Z21.58-2022• CSA 1.6-202 PARA DISPOSITIVO DE COCCIÓN A GAS PARA LUGARES ABIERTOS. ESTA PARRILLA ES EXCLUSIVA PARA USO EN LUGARES ABIERTOS.

NOTA: El flujo normal de gas que va por el ensamble del regulador y la manguera puede causar un zumbido. Un volumen bajo de ruido es perfectamente normal y no interferirá con la operación de la parrilla. Si el zumbido es fuerte y excesivo, es posible que deba purgar el aire de la línea de gas o reajustar el dispositivo de flujo de gas en exceso del regulador. Este procedimiento de purga debe hacerse cada vez que se conecte un nuevo tanque de gas LP a la parrilla.

Códigos de instalación de la parrilla

Para utilizar el método correcto de instalación, verifique los códigos locales de la propiedad. En caso de no existir códigos locales, la presente unidad deberá instalarse de acuerdo con lo dispuesto en el Código Nacional de Gas Combustible, ANSI Z223.1/NFPA 54, Almacenamiento y Manipulación de gases de petróleo licuados, ANSI / NFPA B149.2 o CSA B149.1 Código de Instalación de Gas Natural y Propano, y el Código Nacional de Electricidad., ANSI/NFPA 70.

Uso correcto del tanque de gas LP

Los modelos de parrilla de gas LP están diseñadas para que se usen con un tanque de gas propano líquido de 20 lb estándar, que no está incluido con la parrilla. **Nunca** conecte su parrilla de gas a un tanque de gas propano líquido que supere esta capacidad.

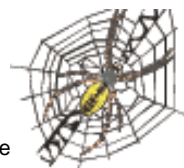
En caso de utilizar una fuente de electricidad externa: Al instalar el dispositivo de cocción a gas para lugares abiertos, este debe conectarse a masa según lo dispuesto en los códigos locales. En caso de no existir códigos locales, se debe cumplir con lo establecido en el Código Nacional de Electricidad, ANSI/NFPA 70, o en el Código Canadiense de Electricidad, CSA C22.1.

ADVERTENCIA

Mantenga todos los cables con electricidad y la manguera de combustible alejadas de superficies calientes.

PRECAUCIÓN: Tenga cuidado con los fogonazos

PRECAUCIÓN: Las arañas e insectos pequeños pueden ocasionalmente tejer telillas o hacer nidos en los tubos de los quemadores de la parrilla durante el transporte o mientras están en el depósito. Estas telillas pueden causar obstrucciones en el flujo de gas, que podrían hacer que se quemen los tubos de los quemadores y las áreas circundantes. Esta clase de fuego se denomina "FOGONAZO" y puede provocar daños serios en la parrilla y crear una condición de operación insegura para el usuario.



Aunque el tubo de un quemador obstruido no es la única causa para que se genere un "FOGONAZO", es la más común.

A fin de minimizar las probabilidades de que ello ocurra, usted debe limpiar los tubos de los quemadores antes de armar la parrilla y luego por lo menos una vez al mes hacia el final del verano o a principios del otoño que es cuando las arañas tienen mayor actividad. Asimismo realice este procedimiento de limpieza si usted no ha usado la parrilla durante un tiempo prolongado. Un tubo obstruido puede ocasionar un incendio debajo de la parrilla.



Llama de propano líquido (si corresponde)

Controle en forma visual las llamas de los quemadores antes de cada uso. Las llamas deben verse como en la foto. Si no se ven así, diríjase a la parte de mantenimiento de los quemadores en este manual.

Instrucciones de seguridad

Sistema de suministro de gas LP

- El incumplimiento de la información brindada podría ocasionar un incendio que provoque la muerte o lesiones graves.
- Un tanque de 20 libras de 12 pulgadas de diámetro por 18-1/4 pulgadas de alto aproximadamente es el tamaño máximo del tanque de gas LP para usar en la parrilla.
- Esta función de seguridad evita que el tanque se sobrecargue ya que esto puede ocasionar un funcionamiento incorrecto del tanque de gas LP, del regulador y/o de la parrilla.
- El cilindro de suministro de gas LP debe estar construido y comercializado según lo dispuesto para los cilindros de gas LP del Departamento de Transporte de los Estados Unidos de América (DOT por sus siglas en inglés) o según los Estándares Nacionales de Canadá, CAN/CSA-B339, Cilindros, Esferas y Tubos para el Transporte de Artículos y Comisiones peligrosos.
- El tanque de gas propano líquido debe tener una válvula de cierre con una terminal en una válvula de salida de LP que sea compatible con un tipo 1. El cilindro de suministro de gas propano líquido debe tener una válvula de cierre con una terminal en una válvula de salida específica para conexiones tipo QCC1 según los estándares para salidas de válvulas de los cilindros para gas comprimido y las conexiones de entrada ANSI/CGA-V-1, según corresponda. El cilindro de suministro de gas propano líquido debe estar equipado con un Dispositivo de Prevención de Sobrecarga. El tanque de gas propano líquido también debe contar con un dispositivo de escape de seguridad que tenga una conexión directa con el espacio de vapor del tanque.
- El sistema de suministro del tanque debe estar adaptado para la salida de vapores.
- El tanque de gas LP debe tener un collarín que proteja la válvula del tanque.
- Coloque la tapa anti-polvo sobre la salida de la válvula del cilindro siempre que el mismo no esté en uso. Instale sólo el tipo de tapa anti-polvo sobre la salida de la válvula del cilindro que viene con la mencionada válvula. Otros tipos de tapas o tapones pueden causar fugas de propano.
- **Jamás** conecte un tanque de gas LP sin regular a la parrilla a gas.
- El dispositivo de cocción a gas para espacios abiertos está equipado con una manguera/regulador de alta capacidad para que se lo conecte a un cilindro de propano líquido estándar de 20lb. Cilindro de propano líquido.
- Haga llenar su tanque de gas LP por un distribuidor de gas propano autorizado y que éste realice una inspección ocular y lo deje en condiciones cada vez que llene el tanque.
- No guarde un cilindro de gas LP de repuesto debajo de o cerca de este dispositivo.
- Al llenar el cilindro, jamás supere el 80 por ciento de su capacidad.
- Siempre mantenga los tanques de gas LP en posición vertical.
- No almacene ni use combustible u otros vapores o líquidos inflamables en las cercanías de este o cualquier otro dispositivo.
- Podrá guardar el dispositivo de cocción a gas para espacios abiertos en un lugar cerrado sólo si desconecta el cilindro y lo quita del dispositivo.
- Cuando su parrilla a gas no esté en uso, se debe cerrar el paso de gas en el tanque de gas LP.
- Debe cerrar el paso de gas desde el cilindro de suministro cuando no esté utilizando el dispositivo de cocción a gas para espacios abiertos.
- Los tanques de gas LP deben guardarse en espacios abiertos, en áreas bien ventiladas y fuera del alcance de los niños. No deben guardarse los tanques de gas LP desconectados en viviendas, garajes o en cualquier otro tipo de lugar cerrado.

- No obstruya el flujo de aire de la ventilación que se encuentra en la carcasa de la parrilla a gas. Sólo use el ensamble del regulador y la manguera que vienen con su parrilla a gas. Los ensamblajes de los reguladores y de la manguera de reemplazo deben ser los que se especifican en este manual.
- El ensamble del regulador y la manguera deben inspeccionarse con anterioridad cada vez que utilice la parrilla. En caso de que exista abrasión o desgaste excesivo o si la manguera está cortada, esta debe reemplazarse antes de utilizar la parrilla. El ensamble de la manguera reemplazada debe ser el que indica el fabricante.
- Deben utilizarse el regulador de presión y el ensamble de la manguera que vienen con el dispositivo de cocción a gas para espacios abiertos. Jamás utilice otros tipos de reguladores. Póngase en contacto con el servicio al cliente para solicitar al fabricante piezas de repuesto específicas.
- Este dispositivo de cocción a gas para espacios abiertos está equipado con un regulador de presión que cumple con los estándares de las válvulas reguladoras de presión para gas LP ANSI/UL 144.
- Mantenga los laterales y la parte trasera del carro libre y limpia de desechos.
- Jamás utilice la parrilla cuando las condiciones climáticas sean muy ventosas. En caso de utilizarla en un área de viento constante (frente al mar, cima de una montaña, etc.) necesitará utilizar un protector contra el viento. Siempre mantenga el espacio libre circundante adecuado.
- Jamás utilice un tanque de propano abollado u oxidado.
- Mientras la enciende, mantenga su rostro y manos lo más alejadas posibles de la parrilla.
- Cualquier ajuste a los quemadores debe realizarse una vez que estos se han enfriado.

UBICACIÓN Y ESPACIO LIBRE APROPIADO PARA LA PARRILLA

- Nunca use la parrilla de gas en un garaje, entrada, cobertizo, corredor o cualquier otro lugar cerrado. La parrilla a gas es para uso exclusivo en lugares abiertos. No instale esta unidad en recintos combustibles. Los laterales y la parte trasera de la unidad deben estar a una distancia mínima de construcciones combustibles: 36 pulgadas (91cm) en los laterales y 36 pulgadas (91cm) la parte trasera.
- **NO** instale esta unidad en recintos combustibles elevados. No instale este dispositivo de cocción a gas para espacios abiertos dentro o en vehículos y/o barcos recreacionales.

ADVERTENCIA

Su parrilla llegará a tener una temperatura muy elevada. Nunca se incline sobre el área de cocción mientras use la parrilla. No toque las superficies de cocción, la carcasa de la parrilla, la tapa o cualquier otra pieza de la parrilla mientras ésta esté operando o hasta que la parrilla de gas se haya enfriado luego de usarla.

El incumplimiento de estas instrucciones puede dar como resultado lesiones corporales graves.

Instrucciones de seguridad

ADVERTENCIA

Mantenga una botella rociadora de agua jabonosa cerca de la válvula de suministro de gas y revise las conexiones antes de cada uso.

NO DEJE LA PARRILLA DESATENDIDA MIENTRAS COCINA.

PRÁCTICAS DE SEGURIDAD PARA EVITAR LESIONES PERSONALES

Cuando se cuida adecuadamente, su parrilla brindará un servicio seguro y confiable durante muchos años. Sin embargo, se debe tener mucho cuidado ya que la parrilla produce un calor intenso que puede aumentar el potencial de accidentes. Al usar este aparato, se deben seguir las prácticas básicas de seguridad, incluidas las siguientes: No repare ni reemplace ninguna parte de la parrilla a menos que se recomiende específicamente en este manual. Todos los demás servicios deben derivarse a un técnico calificado.

Los niños no deben quedarse solos o desatendidos en un área donde se esté utilizando la parrilla. No permita que se sienten, se paren o jueguen dentro o alrededor de la parrilla en ningún momento. No guarde artículos de interés para los niños alrededor o debajo de la parrilla.

No permita que la ropa, las agarraderas u otros materiales inflamables entren en contacto o se acerquen demasiado a cualquier rejilla, quemador o superficie caliente hasta que se haya enfriado. La tela podría incendiarse y causar lesiones personales.

Por seguridad personal, use ropa adecuada. Nunca se deben usar prendas o mangas holgadas mientras se usa este aparato. Algunas telas sintéticas son altamente inflamables y no deben usarse mientras se cocina.

Solo ciertos tipos de vidrio, vitrocerámica resistente al calor, loza u otros utensilios vidriados son adecuados para su uso en parrillas. Estos materiales pueden romperse con los cambios bruscos de temperatura. Úselo solo en configuraciones de calor bajo o medio de acuerdo con las pautas del fabricante.

No caliente recipientes de alimentos sin abrir. Una acumulación de presión puede hacer que los contenedores exploten.

Cuando encienda un quemador, preste mucha atención a lo que está haciendo. Asegúrese de saber qué quemador está encendiendo, para que su cuerpo y su ropa permanezcan libres de llamas abiertas.

Cuando use la parrilla, no toque el entorno inmediato, ya que estas áreas se calientan mucho y podrían causar quemaduras. Use solo agarraderas secas. Las agarraderas húmedas o mojadas en superficies calientes pueden causar quemaduras por vapor. No use una toalla o un paño voluminoso en su lugar ni agarraderas. No permita que las agarraderas toquen las porciones calientes de la rejilla de la parrilla.

Limpie la parrilla con precaución. Para evitar quemaduras por vapor, no use una esponja o un paño húmedo para limpiar la parrilla mientras está caliente. Algunos limpiadores producen vapores tóxicos o pueden encenderse si se aplican a una superficie caliente.

Para una iluminación y un rendimiento adecuados de los quemadores, mantenga limpios los puertos de los quemadores. Es necesario limpiarlos periódicamente para un rendimiento óptimo. Los quemadores solo funcionarán en una posición y deben montarse correctamente para un funcionamiento seguro.

Apague los controles de la parrilla y asegúrese de que la parrilla esté fría antes de usar cualquier tipo de limpiador en aerosol sobre o alrededor de la parrilla. El producto químico que produce la acción de pulverización podría, en presencia de calor, encenderse o hacer que las piezas metálicas se corroan.

Mantenga el área que rodea la parrilla libre de materiales combustibles, incluidos líquidos, basura y vapores como gasolina o líquido para encendedores de carbón.

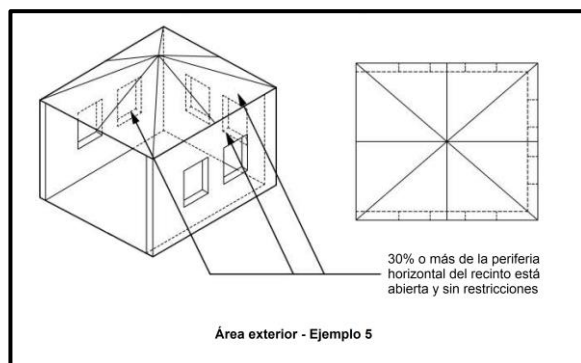
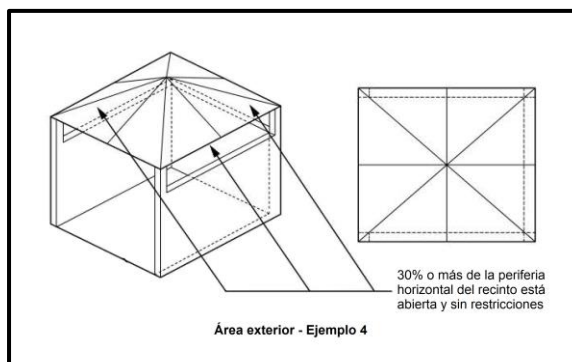
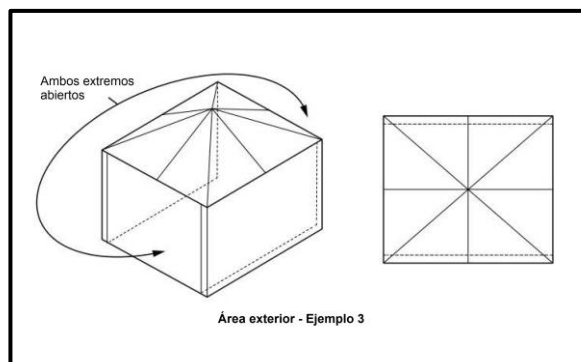
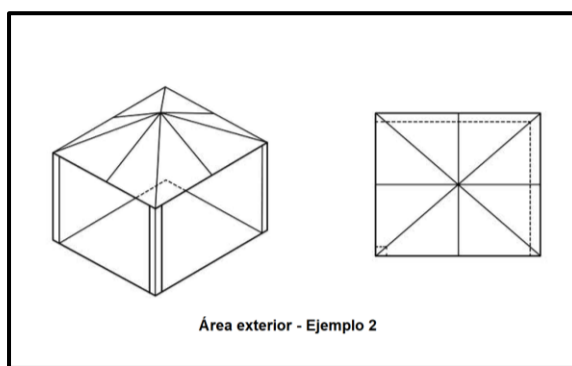
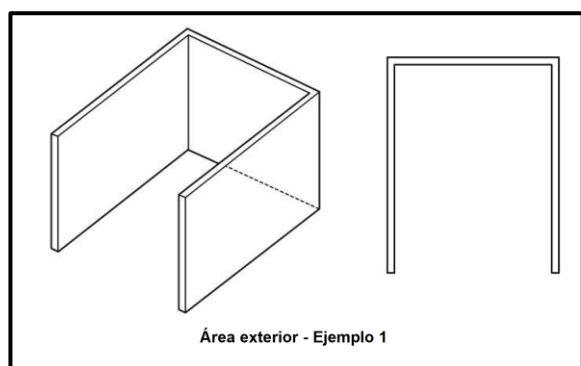
La grasa es inflamable. Deje que la grasa caliente se enfríe antes de intentar manipularla. Evite que se acumulen depósitos de grasa en el recipiente de grasa. Vacíe el recipiente de grasa después de cada uso.

Nunca use agua en un incendio de grasa. Pueden producirse lesiones personales.

Representación esquemática de "áreas al aire libre"

Este aparato solo se utilizará en una situación de aire libre sobre el suelo con ventilación natural, sin zonas estancadas, donde las fugas de gas y los productos de la combustión se dispersen rápidamente por el viento y la convección natural.

1. Se considera que un aparato está al aire libre si se instala con un refugio no más inclusivo que con paredes en tres lados, pero sin cubierta superior; todas las aberturas deben estar permanentemente abiertas; Las puertas correderas, puertas de garaje, ventanas o aberturas con mosquetero no se consideran aberturas permanentes.
2. Se considera que un electrodoméstico está al aire libre si se instala con un refugio no más inclusivo que dentro de un cierre parcial que incluye una cubierta superior y no más de dos paredes laterales. Las paredes laterales pueden ser paralelas, como en una pasarela, o en ángulo recto entre sí; Todas las aberturas no se consideran aberturas permanentes
3. Se considera que un aparato está al aire libre si se instala con un refugio no más inclusivo que en un recinto parcial que incluye una cubierta superior y tres paredes laterales, siempre que el 30% o más de la periferia horizontal del recinto esté permanentemente abierta. Todas las aberturas deben estar permanentemente abiertas; Las puertas correderas, puertas de garaje, ventanas o aberturas con mosquetero no se consideran aberturas permanentes.



Conexión de gas

NUNCA CONECTE AL DISPOSITIVO UNA TUBERÍA DE SUMINISTRO DE GAS SIN REGULAR. USE EL ENSAMBLE DE REGULADOR/MANGUERA SUMINISTRADO.

Ésta es una parrilla diseñada para utilizarse con propano líquido. No intente usar un suministro de gas natural a menos que la parrilla haya sido diseñada para su uso con gas natural. El consumo total de gas (por hora) de esta parrilla de acero inoxidable con todos los quemadores en posición MÁXIMA "HIGH":

quemador principal 4 x 9,500 BTU/hr.
Total 38,000 BTU/hr.

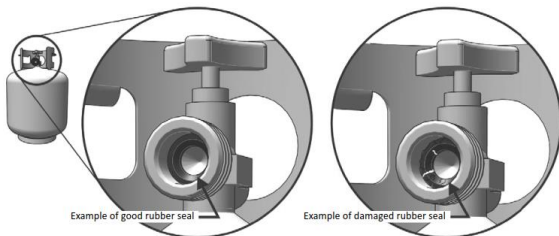
REQUISITOS DEL TANQUE DE PROPANO LÍQUIDO

Un tanque de propano líquido abollado u oxidado puede resultar peligroso y su proveedor de LP debe controlarlo. Nunca use un cilindro con una válvula dañada. El cilindro de gas propano líquido debe estar construido y marcado según las especificaciones para los cilindros de gas LP del Departamento de Transporte, de los EE.UU. (DOT) o según los Estándares Nacionales de Canadá, CAN/CSA-B339, Cilindros, Esferas y Tubos para el Transporte de Artículos Peligrosos; y Comisión, según corresponda. Debe haber un dispositivo de prevención de sobrecarga (OPD) en el cilindro y la conexión QCC1 de la válvula del cilindro, ANSI/CGA-V-1. El sistema de suministro del cilindro debe estar adaptado para la salida de vapores. El cilindro debe incluir un collarín para proteger la válvula del cilindro. El cilindro debe estar equipado con una válvula de cierre con una terminal en una válvula de salida del cilindro de suministro de gas propano líquido compatible, según corresponda, para el tipo de conexión QCC1 en el estándar para salidas de válvulas de los cilindros de gas comprimido y las conexiones de entrada ANSI/CGA-V-1.

Presión del colector: 11" (27,94cm) columna de agua (c.d.a).

INSPECCIÓN DEL SELLO DE GOMA DEL TANQUE

1. El elemento de sellado de la cara elastomérica de la cara del cilindro en estos dispositivos podría, con el tiempo, mostrar daños o deterioros marcados y visibles que podrían causar una fuga incluso con la conexión apretada.
2. La inspección visual del sello debe llevarse a cabo cada vez que se reemplace o rellene una bombona de gas LP.
3. El cilindro de gas LP que muestre signos de daño o deterioro, incluidas grietas visibles y picaduras, debe devolverse sin usar al vendedor.



El cilindro debe montarse de tal manera que la salida del valor de alivio de presión no esté orientada hacia la posición normal de funcionamiento del usuario.

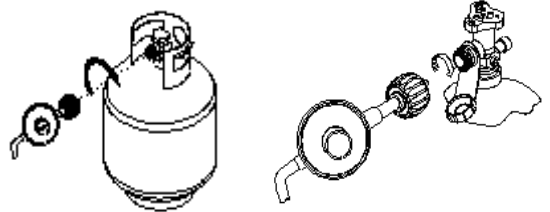
INSTALACIÓN DEL GAS LP

Asegúrese de que las arandelas aislantes de plástico negro en la válvula del cilindro de propano líquido se encuentren en su lugar y que la manguera no entre en contacto con la caja de fuego de la parrilla.

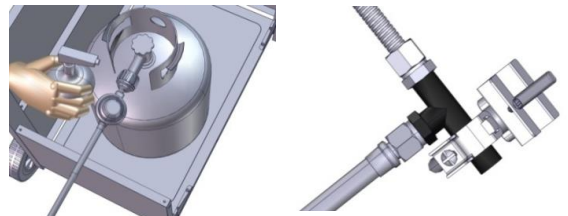
CONEXIÓN

Su parrilla de acero inoxidable está equipada con orificios de suministro de gas para usar únicamente con gas propano líquido. Además, está equipada con una manguera/regulador de alta capacidad para que se lo conecte a un cilindro estándar de propano líquido de 20lb (18-1/4" (46,35cm) de alto por 12-1/4"(31cm) de diámetro). Para conectar el cilindro de suministro de gas LP, siga los siguientes pasos a continuación:

1. Asegúrese de que la válvula del tanque está en total posición de apagado (gírela en sentido de las agujas del reloj para cerrarla).
2. Verifique la válvula del tanque para asegurarse de que tiene las roscas macho externas adecuadas (conexión tipo 1 por ANSI Z21.81).



3. Asegúrese de que todas las válvulas de los quemadores estén en posición de apagado (OFF).
4. Revise las conexiones de las válvulas, los puertos y el ensamble del regulador. Observe si hay daños o residuos. Quite cualquier tipo de desechos. Observe bien la manguera para detectar daños. Jamás intente utilizar equipamiento dañado u obstruido. Póngase en contacto con su proveedor local de gas LP para solicitar reparaciones.
5. Cuando conecte el ensamble del regulador a la válvula, ajuste en forma manual, y en sentido horario, la tuerca de acoplado rápido hasta cerrarla por completo. No utilice una llave de tuercas para ajustarla. Si utiliza una llave de tuercas, esto podría dañar la tuerca de acoplado rápido y generar una situación peligrosa.
6. Lentamente abra la válvula del tanque por completo (en sentido antihorario). Aplique la solución jabonosa con un cepillo limpio en todas las conexiones de gas. Observe a continuación. Si aparecen formaciones de burbujas en la solución, las conexiones no están selladas apropiadamente. Verifique cada conexión y ajústelas o repárelas según sea necesario.



Conexión de gas / Control de fugas

7. Si tiene una fuga en la conexión de gas que no pueda reparar, cierre el paso de gas (OFF) en el tanque de suministro, desconecte la línea de combustible de la parrilla y llame al Servicio al cliente o a su proveedor de servicios de gas para que lo asista en la reparación.
8. Asimismo, aplique la solución jabonosa en las juntas del tanque. Observe a continuación. Si aparecen formaciones de burbujas, cierre el tanque (OFF) y no lo use ni lo mueva. Contacte al proveedor especialista en gas LP o al departamento de bomberos de su localidad para obtener asistencia.

Para desconectar el cilindro de gas LP:

1. Cierre las válvulas de los quemadores.
2. Cierre por completo la válvula del tanque (gírela en sentido horario para cerrarla).
3. Desprenda el ensamble del regulador de la válvula del tanque girando la tuerca de acoplado rápido en sentido contrario de las agujas del reloj.

GENERAL

A pesar de que en la fábrica se verifican todas las conexiones de gas de la parrilla antes de despacharla, se debe llevar a cabo otro control de las instalaciones de gas en el lugar donde se vaya a instalar el dispositivo, ya que durante el envío la unidad puede haber sufrido algún maltrato o se le puede haber aplicado demasiada presión sin darse cuenta. Revisar periódicamente todo el sistema para detectar fugas siguiendo los procedimientos descritos a continuación. Si detecta olor a gas en cualquier momento debe revisar todo el sistema de inmediato para detectar posibles fugas.

ANTES DE REALIZAR LAS PRUEBAS

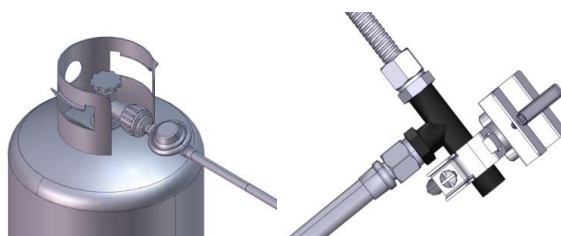
Asegúrese de retirar todo el material de empaque de la parrilla, incluso las correas utilizadas para atar.

NO FUME MIENTRAS BUSCA FUGAS DE GAS. NUNCA BUSQUE FUGAS DE GAS CUANDO HAYA UNA LLAMA ENCENDIDA .

Haga una solución de jabón: mitad de detergente líquido y mitad de agua. Necesitará una botella rociadora, un cepillo o un trapo para aplicar la solución sobre los accesorios. Para la prueba inicial, asegúrese de que el cilindro de LP esté lleno en un 80%.

PARA HACER LA PRUEBA

1. Asegúrese que las válvulas de control estén apagadas y abra el suministro de gas.
2. Verifique todas las conexiones del regulador de gas LP y de la válvula de suministro, incluso la conexión al ensamble de la tubería del colector (la tubería que va hacia los quemadores). En caso de que haya alguna fuga, aparecerán burbujas de jabón.
3. En caso de que haya una fuga, cierre el suministro de gas de inmediato y ajuste los accesorios que tengan pérdidas.
4. Vuelve a encender el gas y verifique nuevamente.
5. En caso de que alguno de los accesorios siga teniendo pérdidas, cierre el suministro de gas y póngase en contacto con el servicio al cliente al 1-800-913-8999.



Sólo deben utilizarse en la parrilla aquellas partes que recomienda el fabricante.

El reemplazo de cualquier parte dejará sin efecto la garantía. No utilice la parrilla hasta no haber verificado todas las conexiones y que éstas no pierdan.

CONTROL DEL FLUJO DE GAS

Cada quemador de la parrilla se controla y ajusta en la fábrica antes de despacharlo. Sin embargo, puede que sea necesario ajustar los quemadores debido a variaciones en los suministros de gas locales. Las llamas de los quemadores deben verificarse visualmente.

Las llamas deben ser azules y estables y las puntas no deben ser amarillas. Tampoco deben producir ruido en exceso ni levantarse. En caso de presentarse alguno de estos cuadros, compruebe que los obturadores de aire o los puertos de los quemadores no estén obstruidos con suciedad, desechos, telas de araña, etc. Si tiene alguna duda respecto de la estabilidad de las llamas, póngase en contacto con el servicio al cliente al 1-800-913-8999.

**LUEGO DE CAMBIAR UN TANQUE LP,
SIEMPRE DEBE VERIFICAR QUE NO HAYA
FUGAS.**

Antes de utilizar la parrilla, verifique todos los accesorios de suministro de gas para buscar posibles fugas. Se aconseja tener un rociador con agua con jabón cerca de la válvula de cierre de la tubería de suministro de gas. Rocíe todos los accesorios. Si aparecen burbujas, esto indicará que hay fugas.

Instrucciones de encendido

Nota: Retire todo el envoltorio, incluyendo las correas, antes de usar la plancha

⚠ ADVERTENCIA: ¡IMPORTANTE ANTES DE ENCENDERLA!

Inspeccione la manguera del suministro de gas antes de abrir el paso del gas (ON). Si hubiera evidencias de cortes, desgaste o abrasión, debe reemplazarla antes de usar la parrilla. No utilice la parrilla si hubiera olor a gas. Sólo debe utilizar el regulador de presión y el ensamble de la manguera que vienen con la unidad.

Jamás reemplace los ensambles de los reguladores y de la manguera por otros que no sean los que vienen con la parrilla. Si es necesario cambiarlos, póngase en contacto con el fabricante para realizar el cambio adecuado. El cambio debe ser aquel que se especifica en el manual.

⚠ ADVERTENCIA: Siempre mantenga su rostro y su cuerpo tan alejado como pueda del quemador al encenderlo.

USO GENERAL DE LA PARRILLA Y EL ASADOR

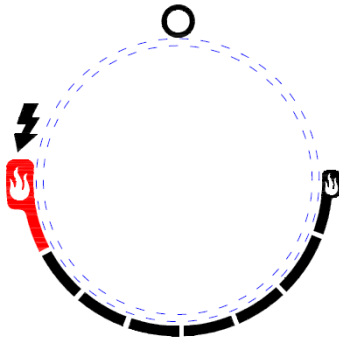
Cada quemador principal tiene una tolerancia de 9,500 BTU/hr. Los quemadores principales de la parrilla comprenden toda el área de cocción y cuentan con un puerto lateral para minimizar el bloqueo causado por la caída de grasa y residuos. Las perillas de encendido están ubicadas en la parte inferior del panel de válvulas. Cada encendedor rotatorio está rotulado en el panel de control.

⚠ ADVERTENCIA: Mantenga siempre la tapa abierta cuando utilice la plancha.

Temperatura ambiente mínima de funcionamiento: 0 °F, (-17.8 °C)



quemador PRINCIPAL



Quemador Principal

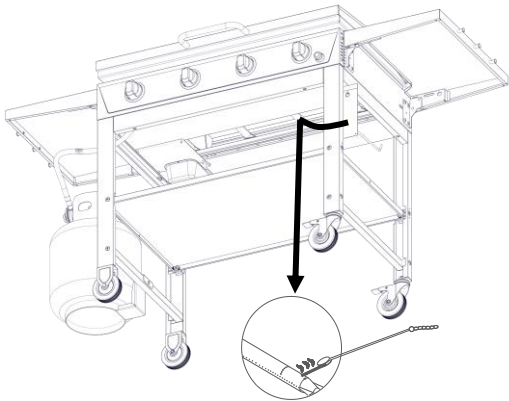
ENCENDIDO DEL QUEMADOR PRINCIPAL

1. Encienda la válvula del tanque de gas.
2. Empuje y gire la perilla de control del quemador correspondiente a la “⚡” mientras mantiene pulsado el botón de encendido electrónico para encender el quemador.
3. Una vez encendido el quemador, suelte la perilla y botón de encendido electrónico.
4. Si la ignición no se produce en 5 segundos, gire la perilla a O y repita el procedimiento de encendido.

ENCENDIDO CON UN CERILLO

Si el quemador no se enciende después de varios intentos, el quemador se puede encender con fósforos.

1. Espere 5 minutos para que se disipe el gas acumulado.
2. Sujete un cerillo de papel en un extremo de la varilla de encendido.
3. Encendido con un cerillo.
4. Sostenga la varilla de encendido e inserte el cerillo encendido junto a los puertos del quemador o la pieza de cerámica.
5. Presione ⚡ y gire la perilla de control que corresponda a la posición de máximo.
6. El quemador debe encenderse de inmediato.



Cada unidad del quemador se ajusta antes de su envío; Sin embargo, las variaciones en el suministro de gas local pueden realizar pequeños ajustes necesarios.

No intente encender la parrilla si hubiera olor a gas. Para obtener asistencia comuníquese al Appelez le service 1-800-913-8999 aux États-Unis, 1-800-648-5864 au Canada.

Verifique todas las conexiones de gas antes de cada uso.

Cuidado y mantenimiento

ASEGÚRESE DE QUE EL SUMINISTRO DE GAS Y LAS PERILLAS ESTÉN EN LA POSICIÓN "OFF". ASEGÚRESE DE QUE LA REJILLA ESTÉ FRÍA ANTES DE MANEJARLA.

LIMPIEZA DE LA BANDEJA PARA GRASA

La bandeja para grasa debe vaciarse, secarse en forma periódica y lavarse con una solución hecha con detergente suave y agua tibia. Se puede colocar una pequeña cantidad de arena en la parte inferior de la bandeja para grasa a fin de que la absorba. Verifique con frecuencia la bandeja para grasa, no permita que se acumule grasa en exceso ni que haya desbordes en dicha bandeja.

quemadores DE LA PARRILLA

Debe tener extremo cuidado cuando mueva un quemador ya que debe estar centrado correctamente en el orificio antes de que intente volver a encender la parrilla. La frecuencia de limpiado dependerá de cuán a menudo utilice la parrilla.

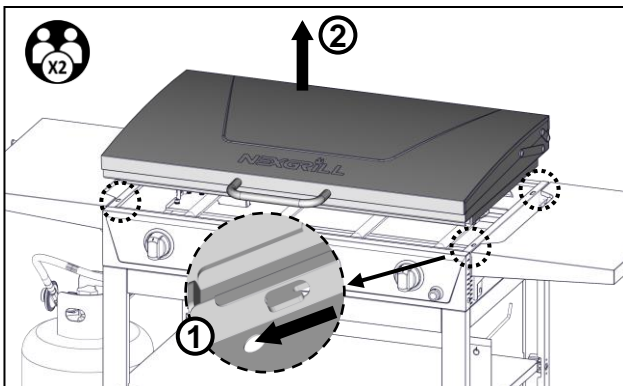
LIMPIEZA DEL quemador

1. Cierre el suministro de gas y asegúrese de que las perillas estén en la posición de apagado (OFF).
2. Espere hasta que la parrilla se enfríe.
3. Limpie la parte externa del quemador con un cepillo de alambre. Utilice una espátula de metal para quitar los manchas difíciles.
4. Limpie los puertos obstruidos con un clip estirado. Nunca use un palillo de madera ya que podría romperse y obstruir el puerto.
5. Si hay algún insecto u otra clase obstrucción que bloquee el flujo de gas a través del quemador, comuníquese con el servicio al cliente al 1-800-913-8999 en EE. UU., 1-800-648-5864 en Canadá.

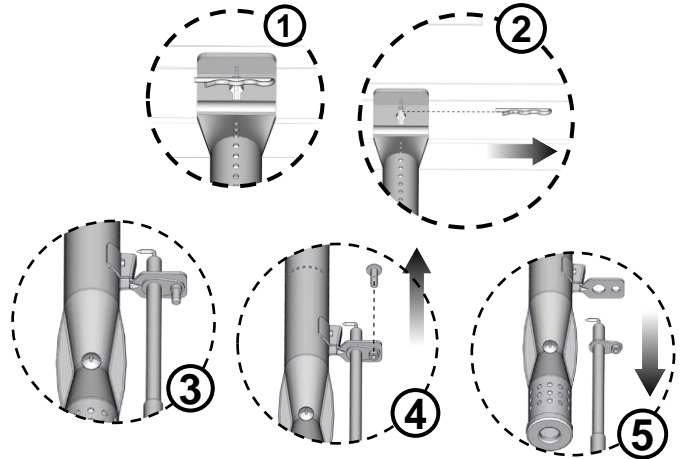
Advertencia: Si desea reemplazar el quemador principal, recomendamos que contrate un técnico profesional para hacerlo. Tenga en cuenta que no nos haremos responsables en caso de obligación, lesión física o daño al bien como consecuencia de un quemador armado de manera incorrecta.

CÓMO REEMPLAZAR EL quemador PRINCIPAL

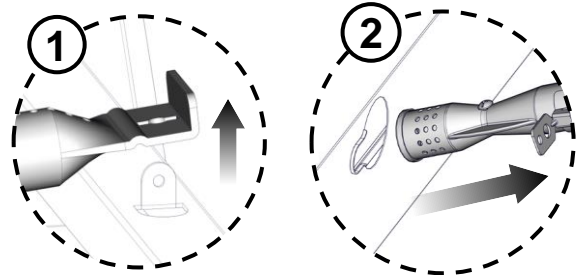
Paso 1. Retire la parrilla y la tapa



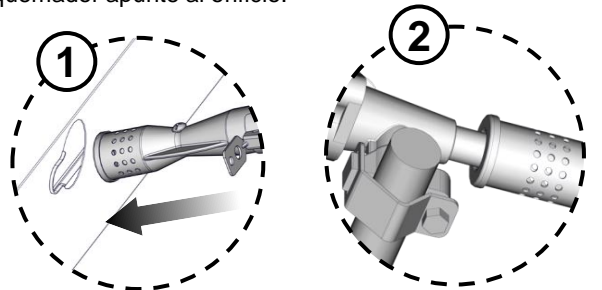
Paso 2. Retire el pasador "R" del quemador principal en la pared posterior de la cámara de fuego usando unos alicates de punta fina. Use un destornillador de punta plana para quitar la tapa del pasador del quemador.



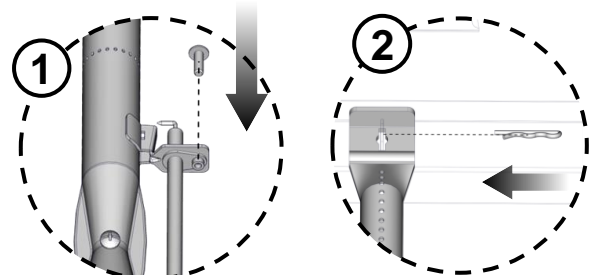
Paso 3. Luego retire el quemador de la cámara de combustión, como se muestra a continuación.



Paso 4. Inserte el quemador en el orificio y asegure la tapa del pasador del quemador en el quemador, como se muestra a continuación. Asegúrese de que el orificio del quemador apunte al orificio.



Paso 5. Atornille el pasador del quemador e instale el pasador del quemador "R" en la pared posterior de la cámara de fuego. Y vuelva a colocar la plancha y la tapa en la cámara de combustión.



Sazonando su plancha

IMPORTANCIA DE SAZONAR SU PLANCHA

Es muy importante mantener una plancha sazonada, para mantener un rendimiento óptimo y una vida útil prolongada de la plancha. Sazonar su plancha tiene dos propósitos:

- a) Evita la oxidación y la corrosión.
- b) Crea una superficie de cocción antiadherente permanente.

El condimento es un proceso que mejora continuamente a lo largo de la vida de su plancha. El cuidado y el mantenimiento adecuados, así como el condimento después de cada uso, darán como resultado una mejor experiencia de cocción.

PRIMER USO

Su plancha viene pre-sazonada con una capa de aceite de cocina para evitar la corrosión y el daño durante el proceso de envío. Antes de usar su plancha por primera vez, lave la parte superior y el interior de la superficie de la plancha con agua caliente y jabón. Nunca use jabón en su plancha **DESPUÉS DEL PRIMER USO**. Enjuague y seque por completo, luego continúe con los pasos de aderezo.

ALIMENTACIÓN DE SU REJILLA

1. Limpie completamente los residuos de comida.
2. Aplique uniformemente una cantidad generosa de aceite de cocina (semillas de lino, oliva, vegetales, etc.) a la superficie de la plancha caliente.
3. Con una toalla de papel, esparza aceite de cocina cuidadosamente sobre toda la superficie de la plancha caliente.
4. Deje que la plancha se enfríe por completo antes de guardarla en un lugar fresco y seco.

DESPUÉS DE CADA USO

Para limpiar la plancha después de cada uso, raspe suavemente los restos de comida restantes con una espátula y limpie con una toalla. Para eliminar la comida atascada, vierta agua caliente sobre la superficie de la plancha para aflojar los residuos o use $\frac{1}{4}$ de taza de sal de mesa para que actúe como un abrasivo. A continuación, siga los pasos para "SEASONING YOUR GRIDDLE".

Consejos para el uso de la plancha

La cocción de la carne, ya sea poca, media o bien cocida, depende en gran medida del grosor del corte. Los chefs expertos sostienen que es imposible que un corte de carne angosto quede poco cocido.

El tiempo de cocción depende del tipo de carne, del tamaño y la forma del corte, de la temperatura de la carne cuando comienza la cocción y del grado de cocción que se desea.

Cuando se descongelan carnes, es recomendable dejarlas en la heladera durante la noche y no descongelarlas en el microondas. Por lo general, esto hace que el corte de carne sea más jugoso.

Para dar vuelta la carne utilice una espátula en lugar de pinzas o un tenedor ya que con la espátula no pincha la carne y por lo tanto, no se saldrán los jugos.

Para obtener carnes bien jugosas, agregue condimentos o sal de cada lado una vez que la cocción ha finalizado y dé vuelta la carne sólo una vez (se pierden los jugos cuando se da vuelta la carne varias veces). De vuelta la carne luego de que los jugos comiencen a hacer burbujas en la superficie.

Quite cualquier exceso de grasa de la carne antes de cocinarla. Para evitar que los bifés o las costillas se encojan durante la cocción, corte la grasa en los extremos cada 2 pulgadas.

NO DESCUIDE LA PARRILLA DURANTE LA COCCIÓN.

Ordenar repuestos

CÓMO SOLICITAR PIEZAS DE REPUESTO

Para asegurarse de que recibe el / los repuesto(s) adecuado(s) para su parrilla a gas, consulte la lista de partes en las páginas 32. Es necesaria la siguiente información para asegurarse que obtenga el repuesto correcto. Tenga en cuenta que el costo de envío para la entrega de piezas de repuesto corre por su cuenta.

- Número de modelo de las parrillas a gas (ver la etiqueta de información en la parrilla).
- Es necesario saber el número de repuesto de la pieza solicitada.
- Es necesario hacer una descripción del repuesto que se necesita.
- Cantidad de partes que necesita.

Para obtener piezas de repuesto, comuníquese con Relaciones con el Cliente de Nexgrill, 1-800-913-8999 en EE. UU., 1-800-648-5864 en Canadá.

IMPORTANTE

Sólo utilice repuestos autorizados de fábrica. Puede ser peligroso que utilice repuestos no autorizados de fábrica. Esto también dejará sin validez su garantía.

Conservar este manual de armado e instrucciones de uso para consultas futuras y para ordenar repuestos.

Localización y resolución de problemas

ADVERTENCIA SOBRE ARAÑAS E INSECTOS

CUÁNDO INSPECCIONAR EN BÚSQUEDA DE ARAÑAS

Debe inspeccionar los quemadores una vez al año o inmediatamente después de que ocurra cualquiera de las siguientes situaciones:

1. Olor a gas junto con llamas amarillas en los quemadores.
2. La parrilla no toma temperatura.
3. La parrilla no se calienta de manera uniforme.
4. Los quemadores hacen ruido como si reventaran.

ANTES DE LLAMAR AL SERVICIO

Si la parrilla no funciona adecuadamente, emplee la siguiente lista de verificación antes de llamar a su proveedor para solicitar servicios. Puede ahorrarse el costo de una llamada de servicio.

PRECALENTAMIENTO: La tapa de la parrilla debe estar cerrada mientras se precalienta la parrilla. Es necesario precalentar la parrilla antes de cocinar ciertos alimentos, según el tipo de alimento y la temperatura de cocción. Los alimentos que requieran una alta temperatura de cocción necesitarán un precalentamiento de cinco minutos; los alimentos que requieran una temperatura de cocción baja necesitarán un período de dos a tres minutos.

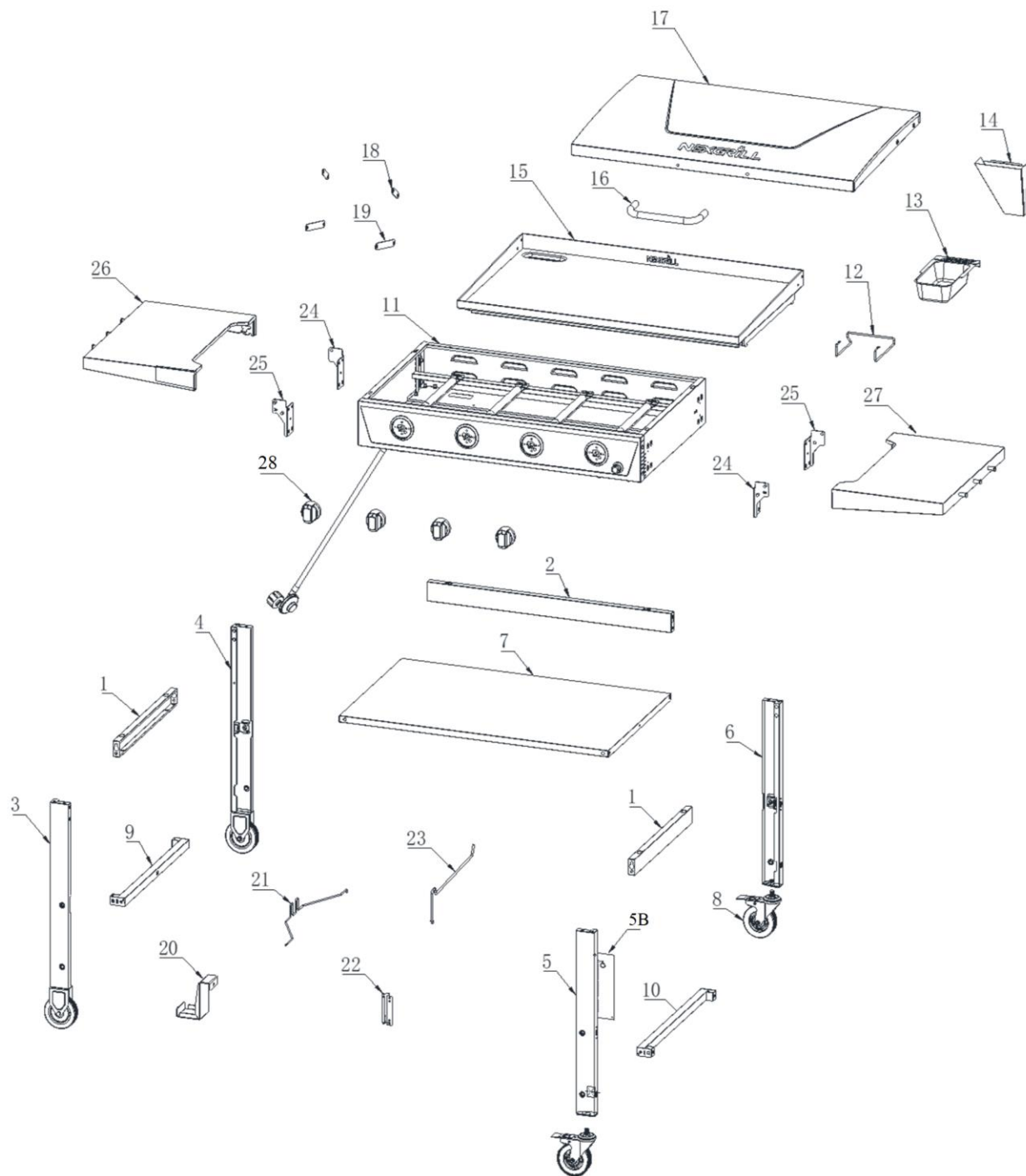
PRECAUCIÓN: Si los quemadores se apagan mientras los está utilizando, cierre la fuente del suministro de gas y todas las válvulas de gas y espere cinco minutos antes de intentar volver a encenderlos. (Esto hará que los gases acumulados se disipen).

PRECAUCIÓN: En caso de que la grasa se prenda fuego, cierre la fuente del suministro de gas, cierre todos los quemadores hasta que se apague el fuego.

PRECAUCIÓN: NO intente desconectar ningún accesorio de gas mientras la parrilla esté en funcionamiento. Al igual que con todos los dispositivos, el cuidado y mantenimiento adecuados harán que la unidad continúe funcionando correctamente y prolongará su vida útil. Esta parrilla a gas no es una excepción a esta regla.

PROBLEMA	SOLUCIÓN
Cuando intento encender la parrilla, esta no enciende de inmediato.	Asegúrese de que haya chispa cuando intente encender el quemador (si no hay chispa) Asegúrese de que el cable está conectado al ensamble del electrodo. Compruebe si la batería está instalada correctamente. Limpie los cables y/o electrodos frotándolos con alcohol y un hisopo limpio. Séquelos con un trapo limpio. Verifique si los otros quemadores funcionan. De ser así, verifique si el orificio de gas del quemador que funciona mal tiene una obstrucción.
El regulador hace ruido.	La manguera de ventilación en el regulador puede estar tapada o el regulador puede tener fallas. Asegúrese de que el orificio de ventilación en el regulador no esté obstruido. Limpie el orificio, cierre las válvulas de control de gas. Espere diez minutos y ábralas de nuevo. Verifique que las llamas funcionen correctamente. Si las llamas no son como deberían ser, cambie el regulador.
La funda no cubre toda la parrilla.	La funda puede no ser la adecuada para su parrilla. Puede que sea muy ajustada. Asegúrese de que la funda tenga el largo apropiado para su parrilla. Mídala de izquierda a derecha. Compárela con la medida de la parrilla. Compare la ubicación y el tamaño de la campana de la funda con la parrilla. Abra la funda y déjela reposar preferentemente al sol o en una habitación cálida. Para las parrillas que tiene un estante lateral, arremangue a funda como una media y colóquela de izquierda a derecha.
Las llamas de los quemadores no son celestes.	Hay demasiado o poco aire para la llama. La altura es la causa principal. Sin embargo, el clima frío puede afectar la mezcla. Puede que sea necesario reajustar los quemadores. La parrilla está en un lugar con mucho viento.

Exploded View / Vue éclatée / Vista despiezada



Parts List

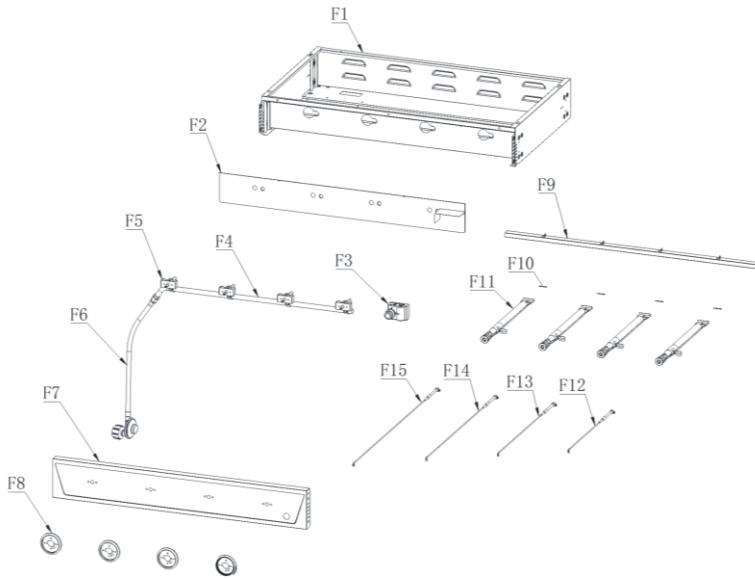
No.	Part (Description)	QTY	No.	Part (Description)	QTY
1	Trim Piece, LH & RH	2	16	Lid Handle	1
2	Trim Piece: Front	1	17	Lid	1
3	Cart Leg: Left, Front	1	18	Lid Hinge A	2
4	Cart Leg: Left, Rear	1	19	Lid Hinge B	2
5	Cart Leg: Right, Front	1	20	Tank Bracket	1
5B	Lighting Rod	1	21	Tank Wire	1
6	Cart Leg: Right, Rear	1	22	Towel Rack Bracket	1
7	Bottom Panel	1	23	Towel Rack	1
8	Swivel Caster	2	24	Side Shelf Bracket A	2
9	Cart Frame: Left, Bottom	1	25	Side Shelf Bracket B	2
10	Cart Frame: Right, Bottom	1	26	Side Shelf	1
11	Firebox	1	27	Side Shelf	1
12	Grease Cup Bracket	1	28	Knob	4
13	Grease Cup	1			
14	Grease Funnel	1		Screw Pack	1
15	Griddle Plate	1		Manual	1

Liste des pièces / Lista de partes

N°	Pièce (description)	QTÉ	N°	Pièce (description)	QTÉ
1	Pièces de garniture, LH & RH	2	16	Poignée du couvercle principal	1
2	Pièce de garniture avant	1	17	Couvercle principal	1
3	Pied de chariot avant, gauche	1	18	Charnière A	2
4	Pied de chariot arrière, gauche	1	19	Charnière B	2
5	Pied de chariot avant, droit	1	20	Support de réservoir	1
5B	Paratonnerre	1	21	Fil de réservoir	1
6	Pied de chariot arrière, droit	1	22	Support porte-serviettes	1
7	Panneau du bas	1	23	Porte-serviette	1
8	Roulette pivotante	2	24	Support d'étagère A	2
9	Cadre de chariot inférieur, gauche	1	25	Support d'étagère B	2
10	Cart Frame Bottom, Right	1	26	Tablette latérale	2
11	Foyer	1	27	Tablette latérale	2
12	Support de godet à graisse	1	28	Bouton de commande	4
13	Godet à graisse	1			
14	Tunnel de graisse	1		Paquet de vis	1
15	Plaque	1		Manuel	1

No.	Pieza (Descripción)	CANT.	No.	Pieza (Descripción)	CANT.
1	Piezas decorativas, izquierda y derecha	2	16	Asa de la tapa principal	1
2	Pieza de adorno frontal	1	17	Tapa principal	1
3	Pata del carro delantera, izquierda	1	18	Bisagra A	2
4	Pata del carro trasera, izquierda	1	19	Bisagra B	2
5	Pata del carro delantera, derecha	1	20	Soporte del tanque	1
5B	Pararrayos	1	21	Cable del tanque	1
6	Pata del carro trasera, derecha	1	22	Soporte para toallero	1
7	Panel inferior	1	23	Toallero	1
8	Rueda giratoria	2	24	Soporte para estantes A	2
9	Marco del carro inferior, izquierdo	1	25	Soporte para estantes B	2
10	Marco del carro inferior, derecho	1	26	Estante lateral	1
11	Caja de fuego	1	27	Estante lateral	1
12	Soporte de taza de grasa	1	28	Perilla	4
13	Taza de grasa	1			
14	Embudo de grasa	1		Paquete de tornillos	1
15	Plancha	1		Manual	1

Exploded View / Vue éclatée / Vista despiezada



No.	Part (Description)	QTY
F1	Firebox	1
F2	Heat Shield: Control Panel	1
F3	Ignitor	1
F4	Manifold	1
F5	Gas Valve	4
F6	LP Regulator	1
F7	Control Panel	1
F8	Bezel	4
F9	Burner Bracket	1
F10	R Pin	4
F11	Burner	4
F12	Igniter A	1
F13	Igniter B	1
F14	Igniter C	1
F15	Igniter D	1

N°	Pièce (description)	QTÉ
F1	Foyer	1
F2	Bouclier thermique du panneau de commande	1
F3	Il s'enflamme	1
F4	Collecteur	1
F5	Vanne de gaz principale	4
F6	Régulier	1
F7	Panneau de commande	1
F8	Facette	4
F9	Support de brûleur	1
F10	Goupille R	4
F11	Brûleur	4
F12	Allumeuse A	1
F13	Allumeuse B	1
F14	Allumeuse C	1
F15	Allumeuse D	1

No.	Pieza (Descripción)	CANT.
F1	Caja de fuego	1
F2	Escudo térmico del panel de control	1
F3	El enciende	1
F4	Colector	1
F5	Válvula de gas principal	4
F6	Regular	1
F7	Panel de control	1
F8	Bisel	4
F9	Soporte del quemador	1
F10	Pasador R	4
F11	Quemadora	4
F12	Encendedor A	1
F13	Encendedor B	1
F14	Encendedor C	1
F15	Encendedor D	1

Limited Warranty

Nexgrill warrants to the original consumer-purchaser only that this product (*Model #720-1116*) shall be free from defects in workmanship and materials after correct assembly and under normal and reasonable home use for the periods indicated below beginning on the date of purchase. The manufacturer reserves the right to require photographic evidence of damage, or that defective parts be returned, postage and or freight pre-paid by the consumer, for review and examination. Nexgrill's obligation is limited to repair, replacement, or depreciated value, at the option of Nexgrill.

Burners: 5 year LIMITED warranty against perforation

Griddle & electronic ignition: 1 year LIMITED warranty

* Does not cover dropping, chipping, scratching or surface damage

All other parts: 1 year LIMITED warranty

* Does not cover chipping, scratching, cracking surface corrosion, scratches or rust

Upon consumer supplying proof of purchase as provided herein, Manufacturer will repair or replace the parts which are proven defective during the applicable warranty period. Parts required to complete such repair or replacement shall be free of charge to you except for shipping costs, as long as the purchaser is within the warranty period from the original date of purchase. The original consumer-purchaser will be responsible for all shipping charges of parts replaced under the terms of this limited warranty. This limited warranty is applicable in the United States only, is only available to the original owner of the product and is *not transferable*. Manufacturer requires reasonable proof of your date of purchase. Therefore, you should retain your sales receipt and/or invoice. If the unit was received as a gift, please ask the gift-giver to send in the receipt on your behalf, to the below address. Defective or missing parts subject to this limited warranty will not be replaced without registration or proof of purchase. This limited warranty applies to the functionality of the product **ONLY** and does not cover cosmetic issues such as scratches, dents, corrosions or discoloring by heat, abrasive and chemical cleaners or any tools used in the assembly or installation of the appliance, surface rust, or the discoloration of stainless steel surfaces. Surface rust, corrosion, or powder paint chipping on metal parts that does not affect the structural integrity of the product is not considered a defect in workmanship or material and is not covered by this warranty. This limited warranty will not reimburse you for the cost of any inconvenience, food, personal injury or property damage. If an original replacement part is not available, a comparable replacement part will be sent. You will be responsible for all shipping charges of parts replaced under the terms of this limited warranty.

ITEMS MANUFACTURER WILL NOT PAY FOR:

- Service calls to your home.
- Repairs when your product is used for other than normal, single-family household or residential use.
- Damage resulting from accident, alteration, misuse, lack of maintenance/cleaning, abuse, fire, flood, acts of God, improper installation, and installation not in accordance with electrical or plumbing codes or use of products not approved by the manufacturer.
- Any food loss due to product failures.
- Replacement parts or repair labor costs for units operated outside the United States or Canada.
- Pickup and delivery of your product.
- Postage fees or photo processing fees for photos sent in as documentation.
- Repairs to parts or systems resulting from unauthorized modifications made to the product.
- The removal and/or reinstallation of your product.
- Shipping cost, standard or expedited, for warranty/non warranty and replacement parts.

DISCLAIMER OF IMPLIED WARRANTIES; LIMITATION OF REMEDIES

Repair or replacement of defective parts is your exclusive remedy under the terms of this limited warranty. Manufacturer will not be responsible for any consequential or incidental damages arising from the breach of either this limited warranty or any applicable implied warranty, or for failure or damage resulting from acts of God, improper care and maintenance, grease fire, accident, alteration, replacement of parts by anyone other than Manufacturer, misuse, transportation, commercial use, abuse, hostile environments (inclement weather, acts of nature, animal tampering), improper installation or installation not in accordance with local codes or printed manufacturer instructions.

THIS LIMITED WARRANTY IS THE SOLE EXPRESS WARRANTY GIVEN BY THE MANUFACTURER. NO PRODUCT PERFORMANCE SPECIFICATION OR DESCRIPTION WHEREVER APPEARING IS WARRANTED BY MANUFACTURER EXCEPT TO THE EXTENT SET FORTH IN THIS LIMITED WARRANTY. ANY IMPLIED WARRANTY PROTECTION ARISING UNDER THE LAWS OF ANY STATE, INCLUDING IMPLIED WARRANTY OF MERCHANTABILITY OR FITNESS FOR A PARTICULAR PURPOSE OR USE, IS HEREBY LIMITED IN DURATION TO THE DURATION OF THIS LIMITED WARRANTY.

Neither dealers nor the retail establishment selling this product has any authority to make any additional warranties or to promise remedies in addition to or inconsistent with those stated above. Manufacturer's maximum liability, in any event, shall not exceed the documented purchase price of the product paid by the original consumer. This warranty only applies to units purchased from an authorized retailer and or re-seller. NOTE: Some states do not allow an exclusion or limitation of incidental or consequential damages, so some of the above limitations or exclusions may not apply to you; this limited warranty gives you specific legal rights as set for herein. You may also have other rights which vary from state to state.

If you wish to obtain performance of any obligation under this limited warranty, you should write to:

Nexgrill Customer Relations
14050 Laurelwood Pl
Chino, CA 91710

All consumer returns, parts orders, general questions, and troubleshooting assistance can be acquired by calling 1-800-913-8999 in USA and 1-800-648-5864 in Canada.

Garantie limitée

Nexgrill garantit à l'acheteur-consommateur d'origine uniquement que ce produit (*Modèle n°720-1116*) est exempt de défaut de fabrication et de matériaux après un assemblage correct et dans des conditions d'utilisation normales et raisonnables au domicile pendant les périodes indiquées ci-dessous à compter de la date d'achat. Le fabricant se réserve le droit de demander une photo comme preuve du dommage ou de renvoyer les pièces défectueuses, tout frais d'expédition par voie postale ou transport prépayé par le consommateur, à titre de révision et d'inspection. L'obligation de Nexgrill est limitée à la réparation, le remplacement ou la valeur dépréciée, au gré de Nexgrill.

Brûleurs : Garantie LIMITÉE de 5 ans contre la perforation.

Grilles de cuisson, allumage électronique : Garantie LIMITÉE de 1 ans

* Ne couvre pas les chutes, les écaillages, les éraflures ni les dommages à la surface.

Toutes les autres pièces : Garantie LIMITÉE de 1 an

* Ne couvre pas l'écaillage, les éraflures, les fissures, la corrosion de la surface ou la rouille

Une fois que le consommateur fournissant la preuve d'achat, tel qu'indiqué ci-contre, le fabricant répare ou remplace les pièces qui sont prouvées défectueuses pendant la période de garantie applicable. Les pièces requises pour l'exécution de ladite réparation ou le remplacement seront gratuites sauf pour les frais d'expédition, tant que l'acheteur soumet sa demande dans la période de garantie depuis la date d'origine de l'achat. L'acheteur-consommateur d'origine sera responsable des frais d'expédition des pièces remplacées selon les conditions de la présente garantie limitée. La présente garantie limitée est applicable aux États-Unis uniquement et uniquement disponible au propriétaire d'origine du produit. Elle *n'est pas transférable*. Le fabricant requiert une preuve raisonnable de votre date d'achat. Vous devez en conséquence conserver votre reçu d'achat et/ou facture. Si l'unité a été offerte en cadeau, demandez au donneur du cadeau d'envoyer le reçu en votre nom à l'adresse indiquée ci-dessous. Toute pièce défectueuse ou manquante soumise à la présente garantie limitée ne sera pas remplacée sans enregistrement ni preuve d'achat. La présente garantie limitée s'applique à la fonctionnalité du produit UNIQUEMENT et ne couvre pas les questions cosmétiques, telles que les éraflures, les bosses, les corrosions ou la décoloration résultant de la chaleur ou des agents de nettoyage chimique ou tout autre type d'outil utilisé pour l'assemblage ou l'installation de l'appareil, la rouille sur la surface ou la décoloration des surfaces en acier inoxydable. La rouille de la surface, la corrosion ou l'écaillage de la peinture en poudre sur les pièces métalliques n'affectent pas l'intégrité structurelle du produit et ne sont pas considérées comme défaut de fabrication ou de matériaux. En conséquence, ils ne sont pas couverts par la présente garantie. La présente garantie ne rembourse pas le coût de toute complication, aliment, blessure personnelle ni dommage matériel. Si une pièce de remplacement d'origine n'est pas disponible, une pièce de remplacement comparable sera envoyée. Vous serez responsable des frais d'expédition de toutes les pièces remplacées selon les conditions de la présente garantie limitée.

ÉLÉMENTS QUE LE FABRICANT NE REMBOURSE PAS :

- Interventions pour réparation à votre domicile.
- Réparations lorsque votre produit est utilisé pour une utilisation autre qu'une famille normale ou résidentielle.
- Dommage résultant d'accident, modification, utilisation erronée, manque de maintenance/nettoyage, abus, incendie, inondation, cas de force majeure, installation incorrecte et installation ne correspondant pas aux codes d'électricité ou de plomberie ou utilisation des produits non approuvés par le fabricant.
- Toute perte d'aliment en raison de pannes de produit.
- Pièces de remplacement ou coûts de main-d'œuvre pour la réparation pour les unités utilisées en dehors des États-Unis ou au Canada.
- Prise en charge et livraison de votre produit.
- Frais d'expédition ou de traitement des photos envoyées dans des documents.
- Réparation des pièces ou des systèmes résultant de modifications non autorisées apportées au produit.
- La prise en charge et/ou réinstallation de votre produit.
- Coût d'expédition, standard ou expédié, pour les pièces sous garantie/non garantie et de remplacement.

CLAUSE DE DÉNÉGATION DE RESPONSABILITÉ DES GARANTIES IMPLICITES: LIMITES DES RECOURS

La réparation ou le remplacement des pièces défectueuses sont votre recours exclusif conformément aux conditions de la présente garantie limitée. Le fabricant n'est pas responsable des dommages directs ou accessoires découlant d'une infraction à la présente garantie limitée ou à toute autre garantie implicite applicable ou toute défaillance ou dommage résultant de cas fortuit, entretien et maintenance incorrects, incendie déclenché par la graisse, accident, modification, remplacement de pièces de marques fabriquées par tiers, utilisation erronée, transport, utilisation commerciale, abus, environnements hostiles (temps rudes, calamités naturelles, modifications par des animaux), installation inappropriée ou non conforme aux codes locaux ou aux instructions imprimées du fabricant.

LA PRÉSENTE GARANTIE EST LA SEULE GARANTIE EXPRESSE OFFERTE PAR LE FABRICANT. AUCUNE SPÉCIFICATION DE PERFORMANCE OU DESCRIPTION DU PRODUIT, WHEREVER IT APPEARS N'EST GARANTIE PAR LE FABRICANT SAUF DANS LA FORME TELLE QUE STIPULÉE DANS LA PRÉSENTE GARANTIE. TOUTE PROTECTION DE GARANTIE IMPLICITE DÉCOULE DES LOIS D'UN ÉTAT QUELCONQUE, Y COMPRIS GARANTIE IMPLICITE DE COMMERCIALISATION OU D'ADAPTABILITÉ DANS UN OBJECTIF OU EMPLOI PARTICULIER EST PAR LA PRÉSENTE LIMITÉE EN TEMPS À LA DURÉE STIPULÉE CI-CONTRE.

Ni les revendeurs ni l'établissement de vente au détail vendant ce produit n'ont le droit de proposer d'autres garanties supplémentaires ou de promettre des recours additionnels ou ne correspondant pas aux déclarations susmentionnées. La responsabilité maximum du fabricant, dans tous les cas, ne peut pas dépasser le prix d'achat documenté du produit réglé par le consommateur d'origine. La présente garantie ne s'applique qu'aux unités achetées auprès d'un vendeur au détail ou revendeur agréé. REMARQUE : Certains états n'autorisent pas l'exclusion ni la limite de dommages directs ou indirects, en conséquence certaines limites ou exclusions susmentionnées peuvent ne pas vous concerner ; la présente garantie limitée vous confère des droits spécifiques légaux tels que stipulés dans les présentes. Vous pouvez en outre bénéficier d'autres droits variant d'un état à un autre.

Pour faire valoir vos droits conformément à la présente garantie limitée, vous devez envoyer un courrier à :

Nexgrill Customer Relations
14050 laurelwood PI
Chino, CA 91710 U.S.A.

Pour toute assistance concernant un retour de marchandises, des questions d'ordre général et des problèmes de dépannage, veuillez contacter le 1-800-913-8999 aux États-Unis et au 1-800-648-5864 au Canada.

Garantía Limitada

Nexgrill garantiza al consumidor/comprador original sólo que este producto (*Modelo N° 720-1116*) no debe tener defectos de fábrica ni de materiales luego de su correcto armado y bajo un uso doméstico normal y razonable durante el período indicado a continuación y a partir de la fecha de compra. El fabricante se reserva el derecho a solicitar pruebas fotográficas del daño, o la devolución de las partes defectuosas, para llevar a cabo una revisión y examen. El consumidor deberá enfrentar los gastos de envío y/o flete. La obligación del Nexgrill se limita a la reparación, reemplazo o valor depreciado, a opción de Nexgrill.

quemadores: 5 años de garantía LIMITADA contra perforación
Rejillas, superficie de la parrilla y encendido electrónico: 1 años de garantía LIMITADA
* No cubre caídas, raspados, ralladuras o daño en la superficie
Todas las demás partes: 1 años de garantía LIMITADA
* No cubre raspados, rayones, corrosión en la superficie agrietada, rayas u óxido

Luego de que el cliente presente pruebas de la compra, tal como se lo establece en la presente, el Fabricante reparará o reemplazará las partes que presenten defectos durante el período de garantía aplicable. No debe cobrarse al cliente por las partes solicitadas para realizar la reparación o el cambio excepto los gastos de envío en tanto el comprador se encuentre dentro del período de garantía a partir de la fecha original de compra. El consumidor/comprador original se hará cargo de todos los gastos de envío de las partes reemplazadas según los términos de la presente garantía limitada. La presente garantía limitada sólo es aplicable dentro de los Estados Unidos de América, sólo está disponible para el dueño original del producto y *no es transferible*. El fabricante solicitará prueba razonable de su fecha de compra. Por lo tanto, debe conservar su recibo de compra y/o factura. En caso de que le hayan regalado esta unidad, solicítelo a quien se la regaló que envíe la factura por usted a la dirección que aparece a continuación. Las partes defectuosas o faltantes a esta garantía limitada no serán reemplazadas sin la debida inscripción o prueba de compra. Esta garantía limitada sólo es aplicable al funcionamiento del producto y no cubre cuestiones estéticas tales como rayones, bollos, corrosión o decoloración por calor, limpiadores abrasivos y químicos o cualquier otra herramienta utilizada para armar o instalar la unidad, óxido en la superficie, o decoloración en las superficies de acero inoxidable. El óxido en la superficie, la corrosión, o el raspado por usted de la pintura sobre las partes de metal no afectan la integridad de la estructura de este producto y por lo tanto, no se consideran como defectos de fábrica o de materiales y no están cubiertos por esta garantía. Esta garantía limitada no le reembolsará los costos de ningún inconveniente, alimento, lesión personal o daño a la propiedad. En caso de no estar disponible un repuesto original, se le enviará uno similar. Usted será responsable de todos los gastos de envío de las partes reemplazadas según los términos de la presente garantía limitada.

ARTÍCULOS POR LOS CUALES NO PAGARÁ EL FABRICANTE:

- Llamadas de servicio a su hogar
- Reparaciones cuando utilice el producto con otra finalidad que no sea el uso normal en casas de familia o residencias.
- Daños que resulten de accidentes, alteraciones, mal uso, falta de mantenimiento / limpieza, abuso, incendio, inundaciones, casos fortuitos, instalación incorrecta, e instalación que no cumple con los códigos de electricidad o plomería o el uso de productos no autorizados por el fabricante.
- Cualquier pérdida de alimentos ocasionada por fallas en los productos.
- Repuestos o costos de reparación de unidades que se utilizan fuera de los Estados Unidos de América o de Canadá.
- Recogido y entrega del producto.
- Facturas de envío o facturas de revelado de fotos por las fotos que se enviaron como prueba.
- Reparaciones de partes o sistemas que surgieran como consecuencia de la realización de modificaciones no autorizadas al producto.
- Extracción y/o reinstalación del producto.
- Costo de envío, estándar o urgente, de la garantía/no-garantía y repuestos.

RENUNCIA A LAS GARANTÍAS IMPLÍCITAS; LIMITACIÓN DE ACCIONES Y RECURSOS LEGALES

La reparación o el cambio de partes defectuosas es la única acción legal que puede ejercer según los términos de la presente garantía limitada. El Fabricante no se responsabilizará de ningún daño consecuente o incidental que surja del incumplimiento ya sea de esta garantía limitada o de cualquier garantía aplicable implícita, o de ninguna falla o daño que surjan como consecuencia de hechos fortuitos, cuidado y mantenimiento indebidos, incendio provocado por grasa, accidente, alteración, cambio de partes que realice otra persona que no sea el Fabricante, mal uso, transporte, uso comercial, abuso, ambientes hostiles (clima inclemente, actos de la naturaleza, manipulación de animales), instalación indebida o instalación que no cumpla con los códigos locales o con las instrucciones impresas del fabricante.

ESTA GARANTÍA LIMITADA ES LA ÚNICA GARANTÍA EXPRESA QUE OTORGA EL FABRICANTE. EL FABRICANTE NO GARANTIZA NINGUNA ESPECIFICACIÓN DE USO O DESCRIPCIÓN DONDE SEA QUE APAREZCAN, EXCEPTO HASTA EL PUNTO INDICADO EN LA PRESENTE GARANTÍA LIMITADA. CUALQUIER PROTECCIÓN IMPLÍCITA DE LA GARANTÍA QUE SURJA DE LAS LEYES DE CUALQUIER ESTADO, INCLUYENDO LA GARANTÍA IMPLÍCITA DE COMERCIALIZACIÓN O ADECUACIÓN PARA UN DETERMINADO USO O PROPÓSITO, TENDRÁ LA MISMA DURACIÓN LIMITADA QUE LA PRESENTE GARANTÍA LIMITADA.

Ningún proveedor ni el establecimiento de venta que comercialice este producto tiene derecho a ofrecer garantías adicionales o a prometer otras acciones legales posibles además de o contrarias a las establecidas con anterioridad. La responsabilidad máxima del fabricante, en cualquier caso, no debe superar el precio de compra documentado del producto que abonó el consumidor original. Esta garantía solo es aplicable a la unidades adquiridas en un minorista o en un mercado de reventa. NOTA: Algunos estados no permiten la exclusión o limitación de daños incidentales o consecuentes. Por lo tanto, algunas de las limitaciones y exclusiones antes mencionadas pueden no ser aplicables a su caso en particular. La presente garantía limitada le otorga derechos legales específicos tal como aquí se estipula. También puede gozar de otros derechos que varían en los diversos estados.

En caso de que quiera que se cumpla con cualquiera de las obligaciones estipuladas en la presente garantía limitada, escriba a:

Atención al cliente de Nexgrill
14050 Laurelwood Pl
Chino, CA 91710

Puede solicitar devoluciones, ordenar repuestos, realizar preguntas generales y obtener ayuda sobre localización y resolución de problemas comunicándose al 1-800-913-8999 en EE. UU. y 1-800-648-5864 en Canadá.



©2025 NEXGRILL INDUSTRIES, INC.
CHINO, CA. 91710
WWW.NEXGRILL.COM
1-800-913-8999