





Dome Table Lamp

Technical Specifications

Materials	Ceramic, steel
Product weight	8 lbs
Lead time	12 weeks
Bulbs included (2)	E12 / 120V / 4.0 W / 220 lm 2200 K - 3000 K / warm on dim
Dimmer	Integrated dimmer switch
Cord length	10 feet
Max wattage	20 W
Certifications	UL listed, damp-rated

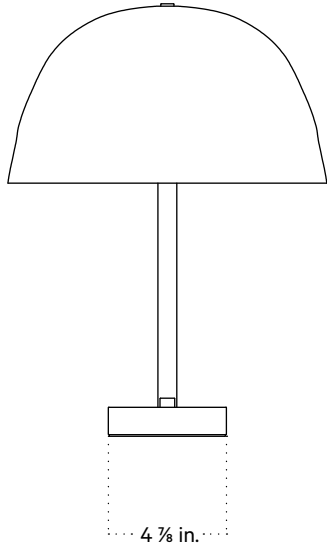


Notes

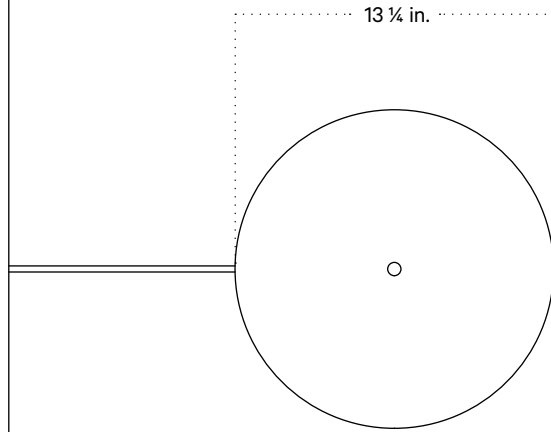
1. A rotary dimmer switch is located on the base of the fixture.
2. This table lamp comes with a 10-foot black cord; length is not customizable.
3. This fixture has handmade elements and may exhibit variability within the same piece. These variations are inherent in the production process and are not to be considered as defects. We do our best to maintain a consistent product while honoring handmade craftsmanship.
4. Dimensions may vary within one inch.
5. This fixture is available as a plug-in, hardwired with a switch, or hardwired without a switch.

Updated November 15, 2023

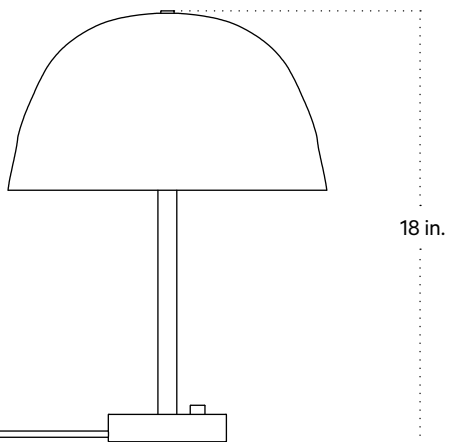
Front View



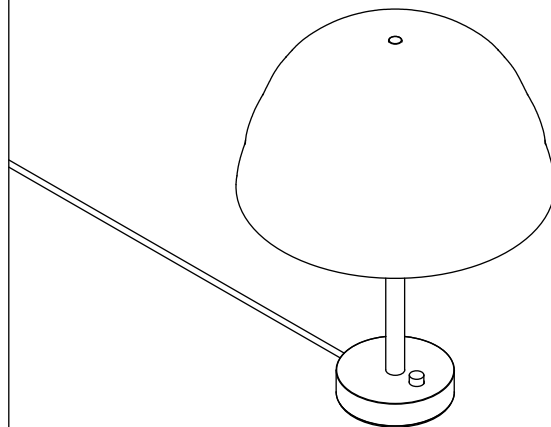
Top View



Side View



Isometric View



Finish Options

Brass, glass, and ceramic samples made or finished by hand may exhibit variability. Available for purchase at incommonwith.com/finishes.

Ceramic



Tan Clay



White Clay



Terracotta



Green Clay



Black Clay

Painted Metal



Black



Bone



Oxide Red



Reed Green



Peach