



**Outdoor Gas Grill
Operating Instruction**

**Gril à gaz pour l'extérieur
Instructions d'opération**

**Parrilla de gas para Exteriores
Instrucciones de operación**



720-0864RH



720-0864RK



19001099A0

SERIAL # _____ MFG. DATE _____ PURCHASE DATE: _____

NÚM. DE SERIE _____ FECHA DE MANUFACTURA _____ FECHA DE COMPRA _____

NUMÉRO DE SÉRIE _____ DATE DE FABRICATION _____ DATE D'ACHAT _____

- **This instruction manual contains important information necessary for the proper assembly and safe use of the appliance.**
- **Read and follow all warnings and instructions before assembling and using the appliance.**
- **Keep this manual for future reference.**



Questions, problems, missing parts? For replacement parts, contact our customer service department at 1-800-913-8999. Languages spoken: English, French, Spanish 8 a.m.-5 p.m., PST. Monday-Friday.

**FOR OUTDOOR USE ONLY. NOT FOR COMMERCIAL USE.
POUR USAGE EXTÉRIEUR SEULEMENT. À USAGE NON COMMERCIAL.
PARA EXTERIOR SÓLAMENTE. NO PARA USO COMERCIAL.**

- **Ce manuel d'instructions contient d'importantes informations essentielles à un assemblage approprié et sécuritaire de l'appareil.**
- **Lire et respecter tous les avertissements et toutes les instructions avant l'assemblage et l'utilisation de l'appareil.**
- **Conserver ce manuel à titre de référence ultérieure.**



Des questions, des problèmes, des pièces manquantes? Pour les pièces de rechange, contactez notre service clientèle au 1-800-913-8999. Langues parlées : anglais, français, espagnol entre 8 h et 17 h, HNP, du lundi au vendredi.

- **El presente manual de instrucciones contiene información importante que lo ayudará a armar el dispositivo correctamente y a utilizarlo de manera segura.**
- **Antes de armar y utilizar el dispositivo, lea y siga todas las advertencias e instrucciones.**
- **Conserve el presente manual para consultas futuras.**



¿Consultas, problemas, piezas que faltan? Para obtener un reemplazo del producto, por favor llame al Departamento de Servicio al Cliente al 1-800-913-8999. Lenguajes hablados: Inglés, Francés, y Español de 8 a.m.-5 p.m., PST. Lunes –Viernes.

Table of Contents

Safety Instruction	3	Lighting Instructions	11
Diagrammatical Representation Of "Outdoor Areas"	7	Care and Maintenance	12
Gas Hook-Up	8	Troubleshooting	13
Leak Testing	9	Ordering Parts	14
Installer Final Check List.	9	Limited Warranty	15
Operating Instructions	10	Exploded View	44
Control Panel	10	Part List	45

⚠ DANGER

If you smell gas:

- Shut off gas to the appliance.
- Extinguish any open flame.
- Open lid.
- If odor continues, keep away from the appliance and immediately call your gas supplier or your fire department.

⚠ WARNING

1. Do not store or use gasoline or other flammable liquids or vapors in the vicinity of this or any other appliance.
2. An LP cylinder not connected for use shall not be stored in the vicinity of this or any other appliance.

⚠ DANGER

1. Never operate this appliance unattended.
2. Never operate this appliance within 10 ft. / 3.05 m of any structure, combustible material or other gas cylinder.
3. Never operate this appliance within 25 ft. / 7.62 m of any flammable liquid.
4. Do not fill cooking vessel beyond maximum fill line.
5. Heated liquids remain at scalding temperatures long after the cooking process. Never touch cooking appliance until liquids have cooled to 115°F / 45°C or less.
6. This appliance is not intended for and should never be used as a heater.
7. If a fire should occur, keep away from the appliance and immediately call your fire department. Do not attempt to extinguish an oil or grease fire with water.

⚠ Failure to comply with these instructions could result in a fire or explosion that could cause serious bodily injury, death, or property damage.

⚠ Your grill will be very hot. Never lean over the cooking area while using your grill. Do not touch cooking surfaces, grill housing, lid or any other grill parts while the grill is in operation, or until the gas grill has cooled down after use.

⚠ CALIFORNIA RESIDENTS ONLY - WARNING: Fuels used in Liquefied Propane Gas appliances, and the products of combustion of such fuels, can expose you to chemicals including benzene, and carbon monoxide, which is known to the State of California to cause cancer and birth defects or reproductive harm.

For more information go to: www.P65Warnings.ca.gov.

In the State of Massachusetts, the following installation instructions apply:

- Installations and repairs must be performed by a qualified or licensed contractor, plumber, or gasfitter qualified or licensed by the State of Massachusetts.
- If using a ball valve, it shall be a T-handle type.
- A flexible gas connector, when used, must not exceed 3 feet.

TESTED IN ACCORDANCE WITH CSA/ANSI Z21.58-2022 • CSA 1.6-2022 STANDARD FOR OUTDOOR COOKING GAS APPLIANCE. THIS GRILL IS FOR OUTDOOR USE ONLY.

Grill Installation Codes

Check your local building codes for the proper method of installation. In the absence of local codes, this unit should be installed in accordance with the National Fuel Gas Code, ANSI Z223.1/NFPA 54, Storage and Handling of Liquefied Petroleum Gases, ANSI/NFPA B149.2 or CSA B149.1 Natural Gas and Propane Installation Code, and the National Electrical Code, ANSI/NFPA 70.

Correct LP Gas Tank Use

LP gas grill models are designed with a standard 20 lb. (9.1 kg) Liquid Propane Gas tank, not included with grill. **Never** connect your gas grill to an LP gas tank that exceeds this capacity.

⚠ WARNING

This outdoor cooking gas appliance is not intended to be installed in or on boats, and other recreational vehicles.

⚠ WARNING

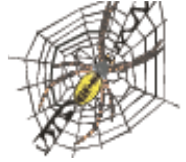
Do not try lighting this appliance without reading the "LIGHTING INSTRUCTIONS" section of this manual.

Total gas consumption (per hour) with all burners on high:

Main Burner	2 x 14,000 BTU/hr.
Total	28,000 BTU/hr.

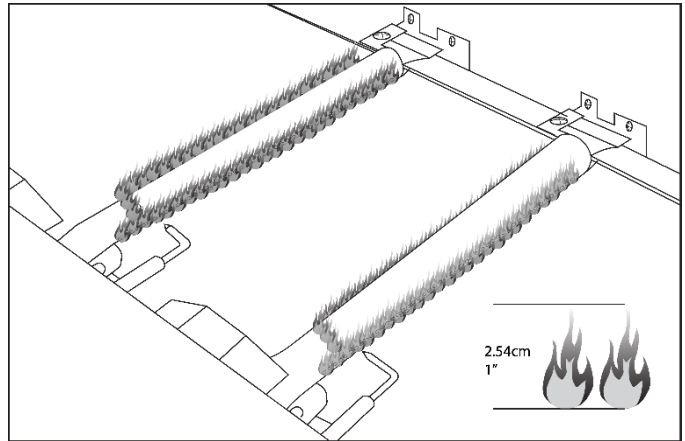
CAUTION: Beware of Flashback

CAUTION: Spiders and small insects occasionally spin webs or make nests in the grill burner tubes during transit and warehousing. These webs can lead to gas flow obstruction, which could result in a fire in and around burner tubes. This type of fire is known as "FLASH-BACK" and can cause serious damage to your grill and create an unsafe operating condition for the user.



Although an obstructed burner tube is not the only cause of "FLASH-BACK", it is the most common cause.

To reduce the chance of "FLASH-BACK", you must clean the burner tubes before assembling your grill, and at least once a month in late summer or early fall when spiders are most active. Also perform this burner tube cleaning procedure if your grill has not been used for an extended period of time. A clogged tube can lead to a fire beneath the grill.



Visually check the burner flames prior to each use. The flames should look like this picture. If they do not, refer to the burner main tenancy part of this manual.

NOTE: The normal flow of gas through the regulator and hose assembly can create a humming noise. A low volume of noise is perfectly normal and will not interfere with operation of the grill. If humming noise is loud and excessive you may need to purge air from the gas line or reset the regulator excess gas flow device. This purging procedure should be done every time a new LP gas tank is connected to your grill.

SAFETY PRACTICES TO AVOID PERSONAL INJURY

When properly cared for your grill will provide safe, reliable service for many years. However, extreme care must be used as the grill produces intense heat that can increase accident potential. When using this appliance basic safety practices must be followed, including the following:

- Do not repair or replace any part of the grill unless specifically recommended in this manual. All other services should be referred to a qualified technician.
- This grill is not intended to be installed in or on recreational vehicles or boats.
- Children should not be left alone or unattended in an area where the grill is being used. Do not allow them to sit, stand, or play in or around the grill at any time.
- Do not store items of interest to children around or below the grill.
- Do not permit clothing, pot holders or other flammable materials to come in contact with or too close to any grate, burner or hot surface until it has cooled. The fabric could ignite and cause personal injury.
- For personal safety, wear proper apparel. Loose fitting garments or sleeves should never be worn while using this appliance. Some synthetic fabrics are highly flammable and should not be worn while cooking.
- Only certain types of glass, heat-proof glass ceramic, earthenware, or other glazed utensils are suitable for grill use. These materials may break with sudden temperature changes. Use only on low or medium heat settings in accordance with the manufacturer's guidelines.
- Do not heat unopened food containers. A build-up of pressure may cause the containers to burst.
- Use a covered hand when opening the grill lid.
- Never lean over an open grill.
- When lighting a burner, pay close attention to what you are doing. Make certain you are aware of which burner you are lighting, so your body and clothing remain clear of open flames.
- When using the grill, do not touch the grill rack, burner grate or immediate surroundings as these areas become extremely hot and could cause burns. Use only dry potholders. Moist or damp potholders on hot surfaces may cause steam burns. Do not use a towel or bulky cloth in place or potholders. Do not allow potholders to touch hot portions of the grill rack.
- Grease is flammable. Let hot grease cool before attempting to handle it. Do not allow grease deposits to collect in the grease tray at the bottom of the grill's firebox. Clean the grease tray often
- For proper lighting and performance of the burners keep the burner ports clean. It is necessary to clean them periodically for optimum performance. The burners will only operate in one position and must be mounted correctly for safe operation.
- Clean the grill with caution. To avoid steam burns, do not use a wet sponge or cloth to clean the grill while it is hot. Some cleaners produce toxic fumes or can ignite if applied to a hot surface.
- Turn off grill controls and make certain the grill is cool before using any type of aerosol cleaner on or around the grill. The chemical that produces the spraying action could, in the presence of heat, ignite or cause metal parts to corrode.
- Do not use the grill to cook excessively fatty meats or other products which promote flare-ups.
- Do not operate the grill under unprotected combustible constructions. Use only in well-ventilated areas. Do not use in buildings, garages, sheds, breezeways or other such enclosed areas.
- Keep the area surrounding the grill free from combustible materials including, fluids, trash, and vapors such as gasoline or charcoal lighter fluid. Do not obstruct the flow of combustion and ventilation air.

NEVER CONNECT AN UNREGULATED GAS SUPPLY LINE TO THE APPLIANCE. USE THE REGULATOR/HOSE ASSEMBLY SUPPLIED.

WARNING

Keep a spray bottle of soapy water near the gas supply valve and check the connections before each use.

DO NOT USE ALUMINUM FOIL TO LINE THE GRILL RACKS OR GRILL BOTTOM.

This can severely upset combustion airflow or trap excessive heat in the control area.

Proper Placement And Clearance Of Grill

- Never use your gas grill in a garage, porch, shed, breezeway, or any other enclosed area. Your gas grill is used outdoor only.
Do Not install this unit into combustible enclosures. Minimum clearance from sides and back of the unit to combustible construction, 36 in. / 92 cm. from sides and 36 in. / 92 cm . from back.
- **DO NOT** use this appliance under overhead combustible surfaces. This outdoor cooking gas appliance is not intended to be installed in or on recreational vehicles and/or boats.
- LP gas tank must be stored outdoors in a well-ventilated area and out of reach of children. Disconnected LP gas tanks must not be stored in a building, garage, or any other enclosed area.
- Do Not obstruct the flow of ventilation air around the gas grill housing. Only use the regulator and the hose assembly supplied with your gas grill. Replacement regulators and hose assemblies must be those specified in this manual.
- The regulator and hose assembly must be inspected before each use of the grill. If there is excessive abrasion or wear or if the hose is cut, it must be replaced before the grill is put into operation. The replacement hose assembly shall be that specified by the manufacturer.
- Pressure regulator and hose assembly supplied with the outdoor cooking gas appliance must be used. Never substitute other types of regulators. Contact customer service for manufacturer-specified replacement parts.
- This outdoor cooking gas appliance is equipped with a pressure regulator that complies with the standard for Pressure Regulating Valves for LP Gas ANSI/ UL 144.
- Do not use briquettes of any kind in the grill.
- The grill is designed for optimum performance without the use of briquettes. Do not place briquettes on the radiant as this will block off the area for the grill burners to vent. Adding briquettes can damage ignition components and knobs and void the warranty.
- Keep the back and side cart free and clear from debris. Keep any electrical supply cord, or the rotisserie motor cord away from the heated areas of the grill.
- Never use the grill in extremely windy conditions. If located in a consistently windy area (oceanfront, mountaintop, etc.) a windbreak will be required. Always adhere to the specified clearance.
- Never use a dented or rusty propane tank.
- Keep any electrical supply cord and the fuel supply hose away from any heated surface.
- While lighting, keep your face and hands as far away from the grill as possible.
- Burner adjustment should only be performed after the burner has cooled.

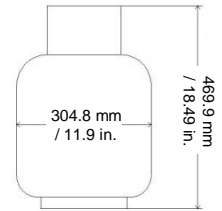
WARNING

Your grill will get very hot. Never lean over the cooking area while using your grill. Do not touch cooking surfaces, grill housing, lid or any other grill parts while the grill is in operation, or until the gas grill has cooled down after use.

Failure to comply with these instructions may result in serious bodily injury.

LP-Gas Supply System

- If the information is not followed exactly, a fire resulting in death or serious injury could occur.
- A 20 lb (9.1 kg) tank of approximately 11.9 in / 304.8 mm diameter by 18.49 in / 469.9 mm high is the maximum size LP gas tank to use.
- The LP gas tank to be used must be constructed and marked in accordance with the specifications for LP Gas cylinder of the U.S. Department of Transportation (DOT) or the National Standard of Canada, CAN/CSA –B339, Cylinders, Spheres and Tubes for Transportation of Dangerous Goods and Commission.
- The LP gas tank must have a shutoff valve terminating in an LP valve outlet that is compatible with a Type 1. LP gas supply cylinder must have a shut-off valve terminating in a valve outlet specified for connection type QCC1 in the standard for compressed gas cylinder valve outlet and inlet connection ANSI/CGA-V-1 as applicable. LP gas supply cylinder must be fitted with an Overfill Protection Device (O.P.D) The LP gas tank must also have a safety relief device that has a direct connection with the vapor space of the tank. This safety feature prevents the tank from being overfilled, which can cause malfunction of the LP gas tank, regulator and/or grill.
- The tank supply system must be arranged for vapor withdrawal.
- The LP gas tank used must have a collar to protect the tank valve.
- Place a dust cap on the cylinder valve outlet whenever the cylinder is not in use. Only install the type of dust cap on the cylinder valve outlet that is provided with the cylinder valve. Other types of caps or plugs may result in leakage of propane.
- Never connect an unregulated LP gas tank to your gas grill.
- This outdoor cooking gas appliance is equipped with a high-capacity hose/regulator assembly for connection to a standard 20 lb. (9.1 kg) Liquid propane cylinder.
- Have your LP gas tank filled by a reputable propane gas dealer and visually inspected and re-qualified at each filling.
- Do not store a spare LP gas cylinder under or near this appliance.
- Never fill the cylinder beyond 80 percent full.
- Always keep the LP gas tank in an upright position.
- Do not store or use gasoline or other flammable vapors and liquids in the vicinity of this or any other appliance.
- Storage of an outdoor cooking gas appliance indoors is permissible only if the cylinder is disconnected and removed from the outdoor cooking gas appliance.
- When your gas grill is not in use the gas must be turned off at LP gas tank.

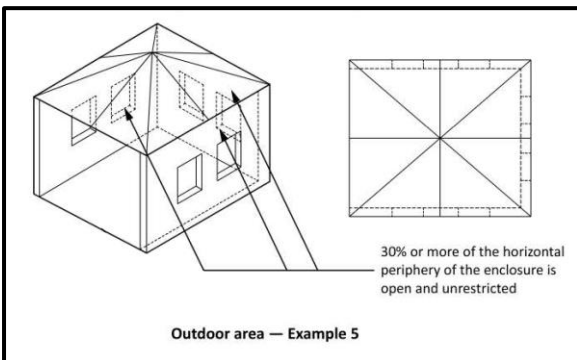
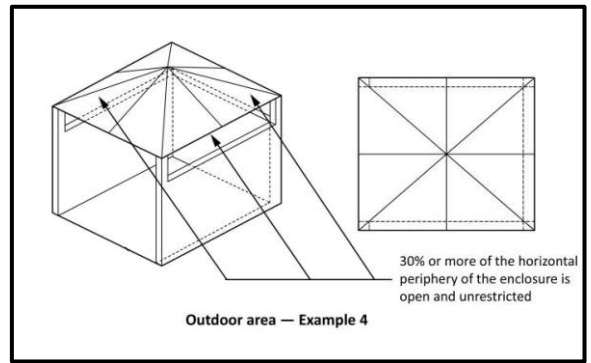
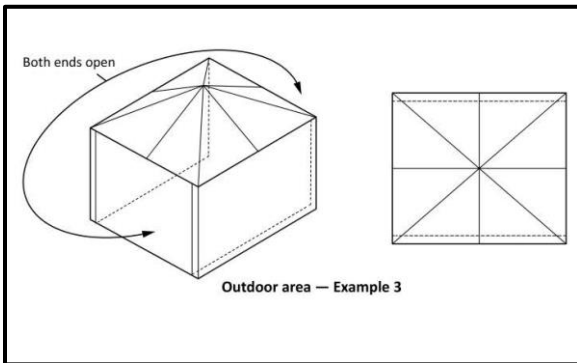
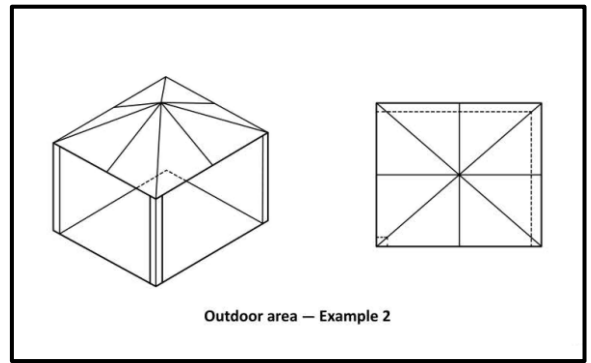
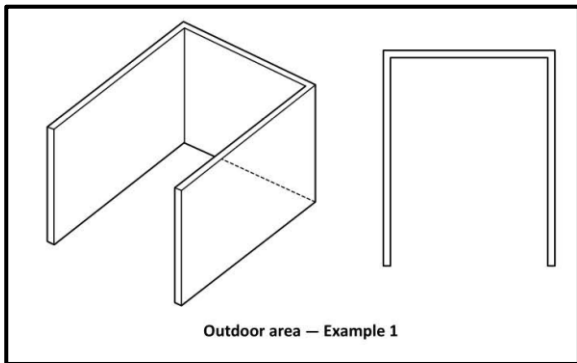


This is a liquid propane-configured grill. Do not attempt to use a natural gas supply unless the grill has been reconfigured for natural gas use.

Diagrammatical Representation Of “Outdoor Areas”

This appliance shall only be used in an above ground open-air situation with natural ventilation, without stagnant areas, where gas leakage and products of combustion are rapidly dispersed by wind and natural convection.

1. An appliance is considered to be outdoors if installed with shelter no more inclusive than with walls on three sides, but with no overhead cover; all openings must be permanently open; sliding doors, garage doors, windows, or screened openings are not considered as permanent openings.
2. An appliance is considered to be outdoors if installed with shelter no more inclusive than within a partial enclosure that includes an overhead cover and no more than two sidewalls. The sidewalls may be parallel, as in a breezeway, or at right angles to each other; all openings are not considered as permanent openings
3. An appliance is considered to be outdoors if installed with shelter no more inclusive than within a partial enclosure that includes an overhead cover and three sidewalls, as long as 30% or more of the horizontal periphery of the enclosure is permanently open. All openings must be permanently open; sliding doors, garage doors, windows, or screened openings are not considered as permanent openings.

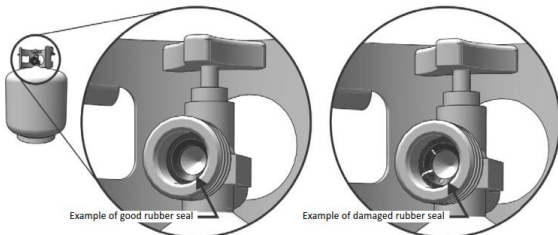


L.P. TANK REQUIREMENT

A dented or rusty L.P. tank may be hazardous and should be checked by your L.P. supplier. Never use a cylinder with a damaged valve. The L.P. gas cylinder must be constructed and marked in accordance with the specifications for L.P. gas cylinders of the U.S. Department of Transportation (DOT) or the National Standard of Canada, CAN/CSA-B339, Cylinders, Spheres and Tubes for Transportation of Dangerous Goods; and Commission, as applicable. Overfilling prevention device (OPD) shall be provided on cylinder & QCC1 connection on the cylinder valve, ANSI/CGA-V-1. The cylinder supply system must be arranged for vapor withdrawal. The cylinder must include a collar to protect the cylinder valve. The cylinder must be provided with a shut off valve terminal in an L.P. gas supply cylinder valve outlet specified, as applicable, for connection type QCC1 in the standard for compressed gas cylinder valve outlet and inlet connection ANSI/CGA-V-1. Manifold pressure: 11" water column (W.C.).

TANK RUBBER SEAL INSPECTION

1. The cylinder face elastomeric face seal element on these devices could, over time, show marked and visible damage or deterioration that might cause a leak even with the connection tightened.
2. Visual inspection for the seal must be carried out every time a LP gas cylinder is replace or refilled.
3. LP-gas cylinder showing signs of damage or deterioration, including visible cracks and pitting, must be return unused to the seller.



The cylinder should be mounted such that the pressure relief value outlet is not oriented toward the normal operating position of the user.

L.P. GAS HOOK-UP

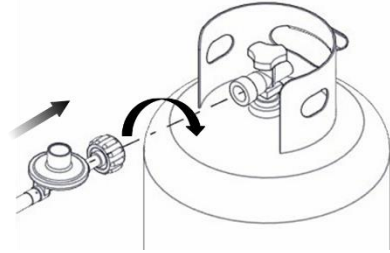
Ensure that the black plastic grommets on the LP cylinder valve are in place and that the hose does not come into contact with the grease tray or the grill head.

CONNECTION

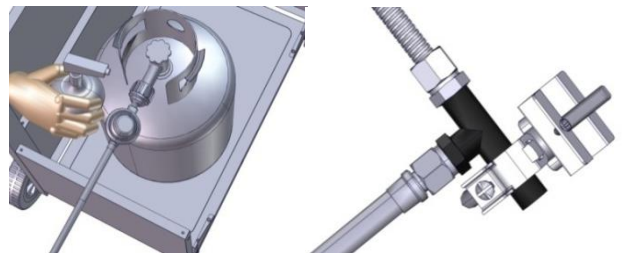
Your stainless steel grill is equipped with gas supply orifices for use only with liquid propane gas. It is also equipped with a high capacity hose/regulator assembly for connection to a standard 20 lb. (9.1kg) L.P. cylinder 18.49 in / 469.9 mm high, 11.9 in. / 304.8 mm diameter).

To connect the L.P. gas supply cylinder, please follow the steps below:

1. Make sure tank valve is in its full off position (turn clockwise to stop).
2. Check tank valve to assure it has proper external male threads (type 1 connection per ANSI Z21.81).



3. Make sure all burner valves are in their off position.
4. Inspect valve connections, port, and regulator assembly. Look for any damage or debris. Remove any debris. Inspect hose for damage. Never attempt to use damaged or obstructed equipment. See your local L.P. gas dealer for repair.
5. When connecting regulator assembly to the valve, hand tighten the quick coupling nut clockwise to a complete stop. Do not use a wrench to tighten. Use of a wrench may damage the quick coupling nut and result in a hazardous condition.
6. Open the tank valve fully (counterclockwise). Apply the soap solution with a clean brush to all gas connections. See below. If growing bubbles appear in the solution the connections are not properly sealed. Check each fitting and tighten or repair as necessary.
7. If you have a gas connection leak you cannot repair, turn gas OFF at supply tank, disconnect fuel line from your grill and call 1- 800-913-8999 or your gas supplier for repair assistance.
8. Also apply soapy solution to the tank seams. See below. If growing bubbles appear, shut tank OFF and do not use or move it! Contact an LP gas supplier or your fire department for assistance.



To disconnect L.P. gas cylinder:

1. Turn the burner valves off.
2. Turn the tank valve off fully (turn clockwise to stop).
3. Detach the regulator assembly from the tank valve by turning the quick coupling nut counterclockwise.

GENERAL

Although all gas connections on the grill are leak tested at the factory prior to shipment, a complete gas leak test check must be performed at the installation site due to possible mishandling in shipment, or excessive pressure unknowingly being applied to the unit. Periodically check the whole system for leaks following the procedures listed below. If the smell of gas is detected at anytime you should immediately check the entire system for leaks.

BEFORE TESTING

Make sure that all packing material is removed from the grill including tie-down straps.

DO NOT SMOKE WHILE LEAK TESTING. NEVER PERFORM LEAK TEST WITH AN OPEN FLAME.

Make a soap solution of one part liquid detergent and one part water. You will need a spray bottle, brush, or rag to apply the solution to the fittings. For the initial leak test, make sure the L.P. cylinder is 80% full.

TO TEST

1. Make sure the control valves are in the " O " position and turn on the gas supply.
2. Check all connections from the L.P. gas regulator and supply valve up to and including the connection to the manifold pipe assembly (the pipe that goes to the burners). Soap bubbles will appear where a leak is present.
3. If a leak is present, immediately turn off the gas supply and tighten the leaky fittings.
4. Turn the gas back on and recheck.
5. Should the gas continue to leak from any of the fittings, turn off the gas supply and contact customer service at 1-800-913-8999, language spoken: English, French, Spanish 8 a.m.-5 p.m., PST. Monday-Friday.



Only those parts recommended by the manufacturer should be used on the grill. Substitution will void the warranty. Do not use the grill until all connections have been checked and do not leak.

GAS FLOW CHECK

Each grill burner is tested and adjusted at the factory prior to shipment; however, variations in the local gas supply may make it necessary to adjust the burners. The flames of the burners should be visually checked.

Flames should be blue and stable with no yellow tips, excessive noise or lifting. If any of these conditions exist, check to see if the air shutter or burner ports are blocked by dirt, debris, spider webs, etc. If you have any questions regarding flame stability, please call customer service 1-800-913-8999, language spoken: English, French, Spanish 8 a.m.-5 p.m., PST. Monday-Friday.

ALWAYS CHECK FOR LEAKS AFTER EVERY L.P. TANK CHANGE

Check all gas supply fittings for leaks before each use. It is handy to keep a spray bottle of soapy water near the shut-off valve of the gas supply line. Spray all the fittings. Bubbles indicate leaks.

Your grill is ready to use!

Installer Final Check List

- ✓ Minimum clearance from sides and back of unit to combustible construction, 36 in. / 92 cm from sides and 36 in. / 92 cm from back
- ✓ All internal packaging removed.
- ✓ Knobs turn freely.
- ✓ Burners are tight and sitting properly on orifices.
- ✓ Pressure regulator connected and set. Gas connections to grill using hose & regulator assembly provided (pre-set for 11 in. water column).
- ✓ Unit tested and free of leaks.
- ✓ User informed of gas supply shut off valve location

USER, PLEASE RETAIN THIS MANUAL FOR FUTURE REFERENCE.

PROPANE CYLINDER CAUTIONS

- a) Do Not store a spare LP-gas cylinder under or near this appliance.
- b) NEVER fill the cylinder beyond 80 percent full.
- c) If the information in "a" and "b" is not followed exactly, a fire or explosion causing death or serious injury may occur.

Operating Instructions

GENERAL USE OF THE GRILL

Each main burner is rated at 14,000 BTU/hr. The main grill burners encompass the entire cooking area and are side ported to minimize blockage from falling grease and debris. The knobs are located on the lower center portion of the control panel. Each knob is labeled on the control panel.

This grill is designed to grill efficiently without the use of lava rocks or briquettes of any kind. Heat is radiated by the stainless steel flame tamers positioned above each burner.

Minimum Ambient Operating Temperature: 0 °F, (-17.8 °C)

USING THE GRILL

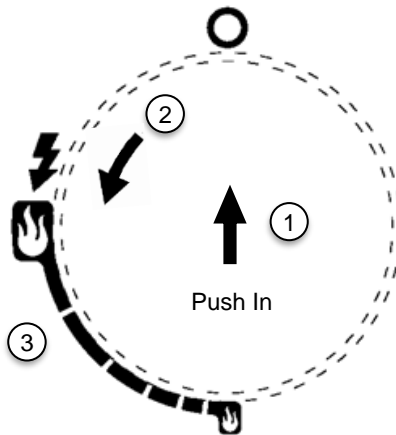
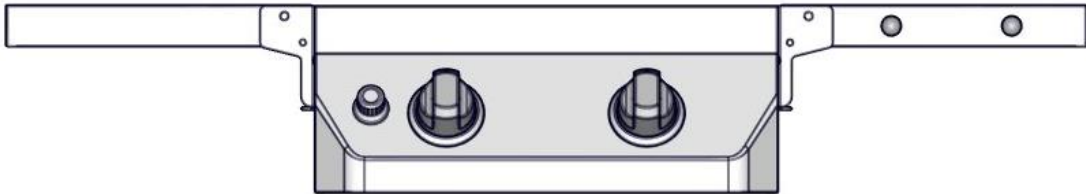
Grilling requires high heat for searing and proper browning. Most foods are cooked at the high heat setting for the entire cooking time. However, when grilling large pieces of meat or poultry, it may be necessary to turn the heat to the lower setting after the initial browning. This cooks the food through without burning the outside. Foods cooked for a long time or foods basted with a sugary marinade may need the lower heat setting near the end of the cooking time.

DO NOT LEAVE THE GRILL UNATTENDED WHILE COOKING.

NOTE: The hot grill sears the food, sealing in the juices. The more thoroughly the grill is preheated, the faster the meat browns and the darker the grill marks.

Control Panel

Note: Remove all packaging, including straps, before using the grill



Control Knob, Label

**⚠ WARNING: IMPORTANT!
BEFORE LIGHTING**

Inspect the gas supply hose prior to turning the gas "ON". If there is evidence of cuts, wear, or abrasion, it must be replaced prior to use. Do not use the grill if the odor of gas is present. Only the pressure regulator and hose assembly supplied with the unit should be used.

Never substitute regulators and hose assembly for those supplied with the grill. If a replacement is necessary, contact the manufacturer for proper replacement. The replacement must be that specified in the manual.

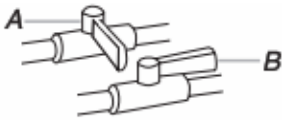
⚠ WARNING

Always keep your face and body as far away from the burner as possible when lighting.

TO LIGHT THE MAIN

Make sure all knobs are off then turn on the gas supply from the LP (Liquid Propane) tank. Always keep your face and body as far from the grill as possible when lighting.

For outdoor grills using gas supply source other than a 20 lb (9.1 kg) LP gas fuel tank, open the manual shutoff valve in the gas supply line. The valve is open when the handle is parallel to the gas pipe.



A. Closed valve
B. Open valve

To light your main burner, push and turn main burner control knob to "⚡", at the same time, press and hold electronic ignition button to light the burner. Once the burner is lit, release the electronic ignition button and knob. If the burner does not light wait 5 minutes for any excess gas to dissipate and then retry.

Keep a spray bottle of soapy water near the gas supply valve and check the connections before each use.

Do not attempt to light the grill if odor of gas is present. Call for service 1-800-913-8999, language spoken: English, French, Spanish, 8 a.m.-5 p.m., PST. Monday-Friday.

Each burner is adjusted prior to shipment; however, variations in the local gas supply may make minor adjustments necessary.

CAUTIONS

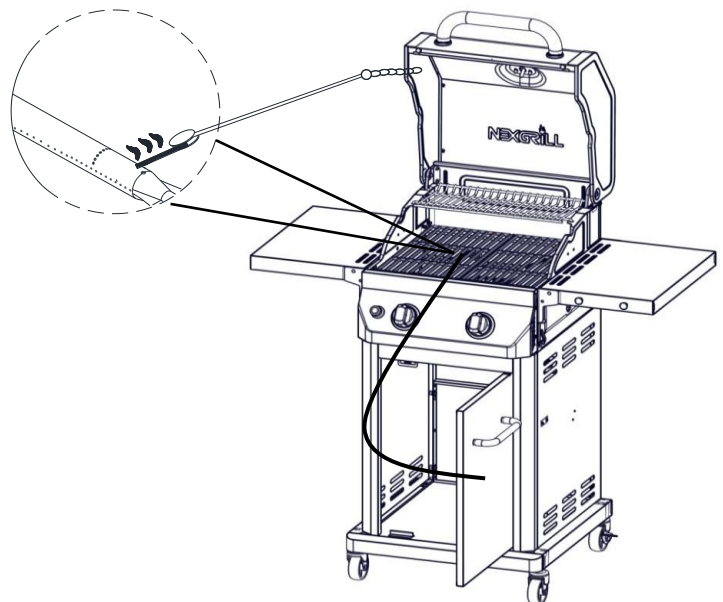
Place dust cap on cylinder valve outlet when the cylinder is not in use. Only install the type of dust cap on the cylinder valve outlet that is provided with the cylinder valve. Other types of caps or plugs may result in leakage of propane.

The gas must be turned off at the supply cylinder when the unit is not in use.

If the appliance is stored indoors the cylinder must be disconnected and removed from the appliance. Cylinders must be stored outdoors in a well-ventilated area out of the reach of children.

Match Lighting

1. If the burner will not light after several attempts, then the burner can be match lit, before using the match allow 5 minutes for any accumulated gas to dissipate.
2. Clip a match on one end of the lighting rod.
3. Light match.
4. Hold lighting rod and insert lighted match right next to the burner ports or ceramic file.
5. Push and turn the designated control knob to "⚡".
6. Burner should ignite immediately.



STAINLESS STEEL

There are many different stainless steel cleaners available. Always use the mildest cleaning procedure first, scrubbing in the direction of the grain. Do not use steel wool as it will scratch the surface. To touch up noticeable scratches in the stainless steel, sand very lightly with dry 100 grit emery paper in the direction of the grain. Specks of grease can gather on the surfaces of the stainless steel and bake on to the surface and give the appearance of rust. For removal use a mild abrasive pad in conjunction with a stainless steel cleaner.

GRILL GRATE

The easiest way to clean the grill is immediately after cooking is completed and after turning off the flame. Wear a barbecue mitt to protect your hand from the heat and steam. Dip a brass bristle barbecue brush in water and scrub the hot grill. Dip the brush frequently in the bowl of water. Steam, created as water contacts the hot grill, assists the cleaning process by softening any food particles. If the grill is allowed to cool before cleaning, cleaning will be more difficult.

ENSURE THAT THE GAS SUPPLY AND THE KNOBS ARE IN THE "O" POSITION. MAKE SURE THE RANGE TOP BURNER IS COOL BEFORE REMOVAL.

GRILL BURNERS

Extreme care should be taken when moving a burner as it must be correctly centered on the orifice before any attempt is made to relight the grill. Frequency of cleaning will depend on how often you use the grill.

MAIN BURNER CLEANING

Ensure the gas supply is off and the knobs are in the "O" position. Make sure the grill is cool. Clean the exterior of the burner with a wire brush. Clear stubborn scale with a metal scraper. Clear any clogged ports with a straightened paper clip. Never use a wooden toothpick as it may break off and clog the port. Please note if insects or other obstructions are blocking the flow of gas through the burner, and if so, you will need to call our customer service line 1-800-913-8999 in USA and Canada, language spoken: English, French, Spanish 8 a.m.-5 p.m., PST. Monday-Friday.

GREASE TRAY CLEANING

The grease tray should be emptied and wiped down periodically and wash with a mild detergent and warm water solution. A small amount of sand may be placed in bottom of grease tray to absorb the grease. Check the grease tray frequently, do not allow excess grease to accumulate and overflow out of the grease tray.

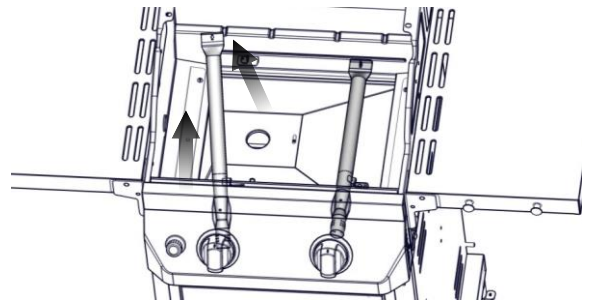
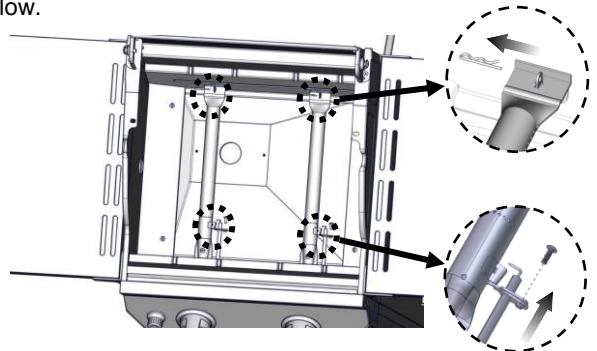
CAUTION

1. Keep outdoor cooking gas appliance area clear and free from combustible materials, gasoline and other flammable vapors and liquids.
2. Do not obstruct the flow of combustible and ventilation air.
3. Keep the ventilation openings of the cylinder enclosure free and clear from debris.

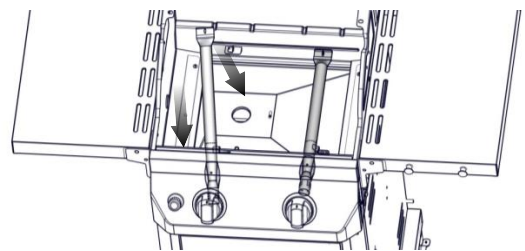
Warning: If you wish to replace main burner, we strongly recommend that you hire a professionally trained technician to replace it. Please understand that we will not be responsible for any liability, personal injury, or property damage resulting from an improperly assembled burner.

HOW TO REPLACE MAIN BURNER

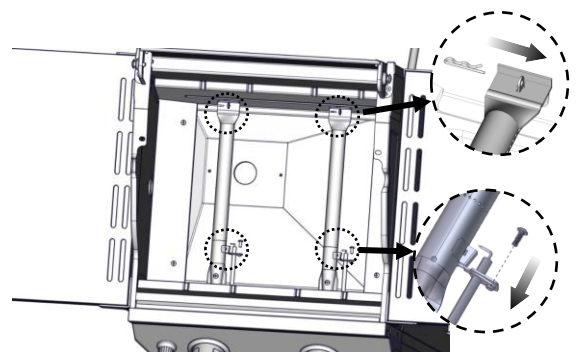
Step 1. Remove the screw and "R" pin that hold the burner in place. Remove the gas burner from the grill, as shown below.



Step 2. Insert the burner onto the orifice and secure the burner pin cover on the burner, as shown below, make sure burner hole aim at orifice .



Step 3. Secure the main burner on the back wall of fire box with "R" Pin. Install the burner pin by using screwdriver.



SPIDER AND INSECT WARNING

Checking and cleaning burner/ venturi tubes for insects and insect nests. A clogged tube can lead to a fire beneath the grill. Although an obstructed burner tube is not the only cause of "FLASH-BACK", it is the most common cause.

To reduce the chance of "FLASH-BACK", you must clean the burner tubes before assembling your grill, and at least once a month in late summer or early fall when spiders are most active. Also perform this burner tube cleaning procedure if your grill has not been used for an extended period.

WHEN TO LOOK FOR SPIDERS

You should inspect the burners at least once a year or immediately after any of the following conditions occur:

1. The smell of gas in conjunction with the burner flames appearing yellow.
2. The grill does not reach temperature.
3. The grill heats unevenly.
4. The burners make popping noises.

BEFORE CALLING FOR SERVICE

If the grill does not function properly, use the following check list before contacting your dealer for service. You may save the cost of a service call.

PREHEATING: The grill lid should be in a closed position during the preheat time period. It is necessary to preheat the grill before cooking certain foods, depending on the type of food and the cooking temperature. Food that requires a high cooking temperature needs a pre-heat period of five minutes; food that requires a lower cooking temperature needs only a period of two to three minutes.

COOKING TEMPERATURES

High setting-Use this setting for fast warm-up, for searing steaks and chops, and grilling.

Low setting-Use this setting for all roasting, baking, and when cooking very lean cuts such as fish.

These temperatures vary with the outside temperature and the amount of wind.

Cooking with in-direct Heat: You can cook poultry and large cuts of meat slowly to perfection on one side of the grill by indirect heat from the burner on the other side. Heat from the lit burner circulates gently throughout the grill, cooking the meat or poultry without any direct flame touching it. This method greatly reduces flare-ups when cooking extra fatty cuts, because there is no direct flame to light the fats and juices that drip down during cooking.

CAUTION: If burners go out during operation, close gas supply at source, and turn all gas valves off. Open lid and wait five minutes before attempting to relight (this allows accumulated gas fumes to clear).

CAUTION: Should a grease fire occur, close gas supply at source, turn off all burners and leave lid closed until fire is out.

CAUTION: DO NOT attempt to disconnect any gas fitting while your grill is in operation. As with all appliances, proper care and maintenance will keep them in top operating condition and prolong their life. Your gas grill is no exception.

CAUTION: Sear burner lid will get hot if used when lid is closed.

PROBLEM	SOLUTION
When attempting to light my grill, it will not light immediately.	<p>Make sure you have a spark while you are trying to light the burner (if no spark). Check if the battery is installed properly. Ensure that the wire is connected to the electrode assembly. Clean wire (s) and / or electrode with rubbing alcohol and a clean swab. Wipe with a clean cloth. Check to see if the other burners operate. If so, check the gas orifice on the malfunctioning burner for an obstruction.</p>
Regulator makes noise.	<p>Vent hose on the regulator may be plugged or regulator may be faulty. Ensure the vent hole on the regulator is not obstructed. Clear the hole, close the gas control valves. Wait ten minutes and re-start. Check your flames for proper performance. If the flames are not correct, replace regulator.</p>
Full size cover does not fit the grill.	<p>Cover may be incorrect for your grill. It may be a tight fit. Ensure the cover is the correct length for your grill. Measure it from left to right. Compare to the grill's measurement. Compare the location and size of the hood portion of the cover to your grill. Spread the cover and allow it to relax, preferably in warm sunlight or in a warm room. For grills with a side shelf, bunch the cover like a sock and put on left to right.</p>
Grill only heats to 93-149°C / 200-300°F.	<p>Check to see if the fuel hose is bent or kinked. Make sure the grill area is clear of dust. Make sure the burner and orifices are clean. Check for spiders and insects. The regulator has a safety device that restricts the flow of gas in the event of a leak. This safety device can be triggered without a gas leak. To reset the safety device, turn off all burners and close the LP tank valve. Disconnect the regulator from the LP tank and wait one minute. Reconnect the regulator to the LP tank and slowly open the LP tank valve until the valve is fully open. Light all burners and observe the temperature.</p>
Grill takes a long time to preheat.	<p>Normal preheat 260-316°C / 500-600°F, takes about 10-15 min. Cold weather and wind may effect your preheat time. If you are using volcanic rock or briquettes they can increase the preheat time and maximum temperature.</p>
Burner flames are not light blue.	<p>Too much or not enough air for the flame. Elevation is the principal cause, however cold weather can affect the mixture. Burner adjustment may be required. Grill is in a windy location.</p>

Ordering Parts

HOW TO ORDER REPLACEMENT PARTS

To make sure you obtain the correct replacement part (s) for your gas grill, please refer to the parts list on pages 45. The following information is required to assure getting the correct part. Please note the shipping cost for the delivery of any replacement parts will be on yourself.

- Gas grills model number (see data sticker on grill).
- Part number of replacement part needed.
- Description of replacement part needed.
- Quantity of parts needed.

To obtain replacement parts, contact our customer service hotline, 1-800-913-8999, language spoken: English, French, Spanish 8 a.m.-5 p.m., PST. Monday-Friday.

IMPORTANT

Use only factory authorized parts. The use of any part that is not factory authorized can be dangerous. This will also void your warranty.

Keep the assembly and operating instruction manual for convenient referral, and for replacement parts ordering.

LIMITED WARRANTY

The manufacturer warrants to the original consumer-purchaser only that this product (*Model #720-0864RH, 720-0864RK*) shall be free from defects in workmanship and materials after correct assembly and under normal and reasonable home use for the periods indicated below beginning on the date of purchase. The manufacturer reserves the right to require photographic evidence of damage, or that defective parts be returned, postage and/or freight pre-paid by the consumer, for review and examination. Megamaster's obligation is limited to repair, replacement, or depreciated value, at the option of Megamaster.

- **TUBE BURNERS:** 5 year *LIMITED* warranty against perforation.
- **COOKING GRIDS and FLAME TAMERS:** 1 year *LIMITED* warranty; *does not cover dropping, chipping, scratching, or surface damage.*
- **STAINLESS STEEL PARTS:** 1 year *LIMITED* warranty against perforation; *does not cover cosmetic issues like surface corrosion, scratches and rust.*
- **ALL OTHER PARTS:** 1 year *LIMITED* warranty (Includes, but not limited to, valves, frame, housing, cart, control panel, igniter, regulator, hoses) **Does not cover chipping, scratching, cracking surface corrosion, scratches or rust.*

Upon consumer supplying proof of purchase as provided herein, Manufacturer will repair or replace the parts which are proven defective during the applicable warranty period. Parts required to complete such repair or replacement shall be free of charge to you ~~except~~ for shipping costs, as long as the purchaser is within the warranty period from the original date of purchase. The original consumer-purchaser will be responsible for all shipping charges of parts replaced under the terms of this limited warranty. This limited warranty is applicable in the United States and Canada only, is only available to the original owner of the product and is *not transferable*. Manufacturer requires reasonable proof of your date of purchase. Therefore, you should retain your sales receipt and/or invoice. If the unit was received as a gift, please ask the gift-giver to send in the receipt on your behalf, to the below address. Defective or missing parts subject to this limited warranty will not be replaced without registration or proof of purchase. This limited warranty applies to the functionality of the product **ONLY** and does not cover cosmetic issues such as scratches, dents, corruptions or discoloring by heat, abrasive and chemical cleaners or any tools used in the assembly or installation of the appliance, surface rust, or the discoloration of stainless steel surfaces. Surface rust, corrosion, or powder paint chipping on metal parts that does not affect the structural integrity of the product is not considered a defect in workmanship or material and is not covered by this warranty. This limited warranty will not reimburse you for the cost of any inconvenience, food, personal injury or property damage. If an original replacement part is not available, a comparable replacement part will be sent. You will be responsible for all shipping charges of parts replaced under the terms of this limited warranty.

MANUFACTURER WILL NOT PAY FOR:

- Service calls to your home.
- Repairs when your product is used for other than normal, single-family household or residential use.
- Damage resulting from accident, alteration, misuse, lack of maintenance/cleaning, abuse, fire, flood, acts of God, improper installation, and installation not in accordance with electrical or plumbing codes or misuse of product.
- Any food loss due to product failures.
- Replacement parts or repair labor costs for units operated outside the United States or Canada.
- Pickup and delivery of your product.
- Postage fees or photo processing fees for photos sent in as documentation.
- Repairs to parts or systems resulting from unauthorized modifications made to the product.
- The removal and/or reinstallation of your product.
- Shipping cost, standard or expedited, for warranty/non warranty and replacement parts.

DISCLAIMER OF IMPLIED WARRANTIES; LIMITATION OF REMEDIES

Repair or replacement of defective parts is your exclusive remedy under the terms of this limited warranty. Manufacturer will not be responsible for any consequential or incidental damages arising from the breach of either this limited warranty or any applicable implied warranty, or for failure or damage resulting from acts of God, improper care and maintenance, grease fire, accident, alteration, replacement of parts by anyone other than manufacturer, misuse, transportation, commercial use, abuse, hostile environments (inclement weather, acts of nature, animal tampering), improper installation or installation not in accordance with local codes or printed manufacturer instructions.

THIS LIMITED WARRANTY IS THE SOLE EXPRESS WARRANTY GIVEN BY THE MANUFACTURER. NO PRODUCT PERFORMANCE SPECIFICATION OR DESCRIPTION WHEREVER APPEARING IS WARRANTED BY MANUFACTURER EXCEPT TO THE EXTENT SET FORTH IN THIS LIMITED WARRANTY. ANY IMPLIED WARRANTY PROTECTION ARISING UNDER THE LAWS OF ANY STATE, INCLUDING IMPLIED WARRANTY OF MERCHANTABILITY OR FITNESS FOR A PARTICULAR PURPOSE OR USE, IS HEREBY LIMITED IN DURATION TO THE DURATION OF THIS LIMITED WARRANTY.

Neither dealers nor the retail establishment selling this product has any authority to make any additional warranties or to promise remedies in addition to or inconsistent with those stated above. Manufacturer's maximum liability, in any event, shall not exceed the documented purchase price of the product paid by the original consumer. This warranty only applies to units purchased from an authorized retailer and or re-seller.

NOTE: Some states do not allow an exclusion or limitation of incidental or consequential damages, so some of the above limitations or exclusions may not apply to you; this limited warranty gives you specific legal rights as set for herein. You may also have other rights which vary from state to state.

If you wish to obtain performance of any obligation under this limited warranty, you should write to:

Nexgrill Customer Relations
14050 Laurelwood Pl
Chino, CA 91710

All consumer returns, parts orders, general questions, and troubleshooting assistance can be acquired by calling 1-800-913-8999, language spoken: English, French, Spanish 8 a.m.-5 p.m., PST. Monday-Friday.

Mesures de sécurité.	17	Consignes pour l'allumage du gril	25
Représentation Schématique Des "Espaces extérieurs"	21	Nettoyage et entretien	26
Raccordement au gaz	22	Dépannage	27
Test de fuite.	23	Commande de pièces	28
Liste de contrôle finale de l'installateur	23	Garantie limitée.	29
Consignes d'utilisation.	24	Vue éclatée.	44
Panneau de configuration	24	Liste des pièces	46

⚠ DANGER

Si vous sentez une odeur de gaz:

- Coupez l'alimentation du gaz à l'appareil.
- Éteignez toute flamme nue.
- Soulevez le couvercle.
- Si l'odeur persiste, tenez-vous à l'écart de l'appareil et contactez immédiatement votre fournisseur de gaz ou le service des pompiers.

⚠ AVERTISSEMENT

1. Ne pas entreposer ou utiliser de l'essence ou tout autre liquide ou vapeur inflammable près de cet appareil ou de tout autre appareil.
2. Une bouteille de gaz propane liquide qui n'est pas branchée pour utilisation ne doit pas être entreposée près de cet appareil ou de tout autre appareil.

⚠ DANGER

1. Ne jamais utiliser cet appareil sans surveillance.
2. Ne jamais utiliser cet appareil dans les 3,05 m / 10 ft. d'une structure, de matériel combustible ou autre bouteille de gaz.
3. Ne jamais utiliser cet appareil dans les 7,62 m / 25 ft. de liquides inflammables.
4. Ne jamais remplir le compartiment de cuisson au-delà de la ligne maximum de remplissage.
5. Les liquides chauffés restent à des températures de cuisson longtemps après la cuisson. Ne jamais toucher l'appareil de cuisson tant que les liquides ne se sont pas refroidis à une température de 45° C ou moins.
6. Cet appareil n'est pas destiné à servir d'élément chauffant et ne doit pas être utilisé en tant que tel.
7. Si un incendie se déclenche, tenez-vous à l'écart de l'appareil et contactez immédiatement le service des pompiers. Ne pas essayer d'éteindre un incendie d'huile ou de graisse avec de l'eau.

⚠ La non-conformité aux présentes consignes peut déclencher un incendie ou une explosion qui sont susceptibles d'entraîner des lésions corporelles graves voire la mort ou des dommages matériels.

⚠ Votre gril deviendra très chaud. Ne vous penchez jamais au-dessus de l'aire de cuisson pendant l'utilisation de votre gril. Ne touchez pas aux surfaces de cuisson, au boîtier du gril, au couvercle ou à toute autre pièce pendant l'utilisation du gril et tant qu'il n'a pas refroidi après l'usage.

⚠ RÉSIDENTS DE CALIFORNIE SEULEMENT - AVERTISSEMENT: LES CARBURANTS UTILISÉS DANS LES APPAREILS AU GAZ PROPANE LIQUÉFIÉ, ET LES PRODUITS DE COMBUSTION DE CES CARBURANTS, PEUVENT VOUS EXPOSER À DES PRODUITS CHIMIQUES, Y COMPRIS LE BENZÈNE, QUI SONT RECONNUS PAR L'ÉTAT DE CALIFORNIE COMME CAUSANT LE CANCER ET DES MALFORMATIONS CONGÉNITALES OU D'AUTRES TROUBLES DE LA REPRODUCTION. *Pour plus d'informations, visitez www.P65Warnings.ca.gov.*

Dans l'État du Massachusetts, les instructions d'installation suivantes sont applicables :

- Les travaux d'installation et réparation doivent être exécutés par un plombier ou tuyauteur qualifié ou licencié, ou par le personnel qualifié d'une entreprise licenciée par l'État du Massachusetts.
- Si une vanne à boisseau sphérique est utilisée, elle doit comporter une manette "T".
- Si un conduit de raccordement flexible est utilisé, sa longueur ne doit pas dépasser 3 pi.

TESTÉ CONFORMÉMENT À LA NORME CSA/ANSI Z21.58-2022 • CSA 1.6-2022 POUR APPAREILS DE GAZ DE CUISSON UTILISÉS À L'EXTÉRIEUR. CE GRIL DOIT ÊTRE UTILISÉ À L'EXTÉRIEUR UNIQUEMENT.

Codes d'installation du gril

Vérifiez les codes du bâtiment locaux concernant la méthode d'installation appropriée. En l'absence de ces derniers, l'unité doit être installée conformément au code national de gaz de combustion ANSI Z223.1/NFPA 54, code d'entreposage et de manutention de gaz propane liquéfié ANSI /NFPA B149.2 ou au code d'installation de gaz naturel et de gaz propane CSA B149.1 et au code national d'électricité, ANSI/NFPA 70.

Utilisation appropriée de la bouteille de gaz PL

Les modèles de gril au propane liquide sont destinés à être utilisés avec un réservoir de propane liquide standard 9,1 kg (20 lb), non compris avec le gril. **Ne branchez jamais** votre gril à gaz à un réservoir de propane liquide dépassant cette capacité.

⚠ AVERTISSEMENT

Cet appareil de cuisson à gaz pour extérieur n'est pas censé être installé dans ou sur des bateaux, ni sur d'autres véhicules récréatifs.

⚠ AVERTISSEMENT

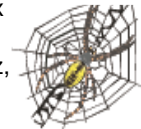
Ne pas allumer cet appareil sans avoir lu la section INSTRUCTIONS D'ALLUMAGE dans ce manuel.

Consommation totale du gaz (à l'heure) de ce gril en acier inoxydable avec tous les brûleurs réglés sur élevée:

Brûleur Principal	2 x 14 000 BTU/hr.
Total	28 000 BTU/hr.

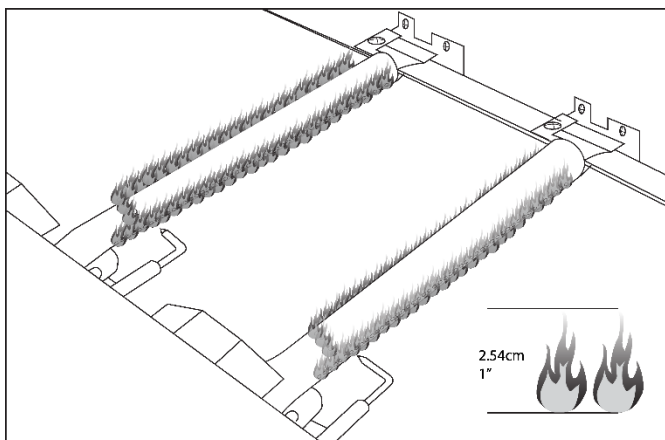
MISE EN GARDE: Attention au retour de flamme

MISE EN GARDE : les araignées et les petits insectes tissent parfois ou font des nids dans les tuyaux de brûleurs pendant le transport et l'entreposage. Bloquant l'écoulement du gaz, ces toiles peuvent être la cause d'un incendie à l'intérieur et autour des tuyaux de brûleurs. Ce type d'incendie, connu sous le nom de « RETOUR DE FLAMME », peut provoquer de graves dégâts dans votre gril et affecter les conditions de fonctionnement qui deviennent dangereuses pour l'utilisateur.



Bien qu'un tuyau de brûleur bloqué ne soit pas la seule cause de ces « RETOURS DE FLAMME », il s'agit néanmoins de la cause la plus commune.

Pour réduire le risque de « RETOURS DE FLAMME », vous devez nettoyer les tuyaux de brûleurs avant de monter votre gril et au moins une fois par mois à la fin de l'été et au début de l'automne lorsque les araignées sont particulièrement actives. Nettoyez également les tuyaux de brûleurs si votre gril n'a pas servi pendant une longue période. Un tube bouché peut causer un feu en dessous du gril.



Vérifiez la flamme des brûleurs avant chaque utilisation. Les flammes doivent ressembler à celles de l'illustration. Si ce n'est pas le cas, voir la section sur la maintenance des brûleurs dans ce manuel.

REMARQUE : l'écoulement normal du gaz à travers l'ensemble tuyau et régulateur peut engendrer un bourdonnement. À faible volume, ce bruit est tout à fait normal et n'affecte pas le fonctionnement du gril. Par contre, si le bourdonnement est bruyant et excessif, il peut s'avérer nécessaire de purger l'air du conduit de gaz ou réinstaller en place le régulateur d'écoulement de gaz. Cette purge devrait être effectuée à chaque fois qu'un nouveau réservoir de LP est branché à votre gril.

PRATIQUES DE SÉCURITÉ PERMETTANT D'ÉVITER LES BLESSURES CORPORELLES

Lorsque vous entretenez correctement votre gril, il vous offrira un service fiable et sécurisé pendant plusieurs années. Vous devez toutefois prendre toutes les précautions nécessaires lorsque vous utilisez le gril puisqu'il produit une chaleur intense qui augmente le potentiel des accidents. Lors de l'utilisation de cet appareil, des pratiques de sécurité élémentaires doivent être observées, y compris :

- Ne pas réparer et ne pas remplacer de pièces du gril à moins que l'opération soit spécifiquement indiquée dans ce manuel. Tous les autres services doivent être confiés à un technicien qualifié.
- Ne pas installer le gril dans ou sur des véhicules récréatifs ou des bateaux.
- Les enfants ne doivent pas être laissés seuls ou sans supervision à un endroit où le gril est utilisé. Ne jamais permettre aux enfants de s'asseoir, se tenir debout ni jouer sur ou autour du gril.
- Ne pas ranger d'objets autour ou sous le gril qui pourraient éveiller la curiosité des enfants.
- Ne pas mettre en contact ou approcher de trop près vêtements, maniques ou tout autre matériau inflammable avec les grilles, les brûleurs ou toute surface chaude tant que ces derniers n'ont pas refroidis. Le tissu pourrait prendre feu et entraîner des blessures corporelles.
- Pour assurer votre sécurité personnelle, portez des vêtements appropriés à la tâche. Les vêtements ou les manches larges ne doivent jamais être portés lorsqu'on utilise cet appareil. Certains tissus synthétiques sont très inflammables et ne doivent jamais être portés pour cuisiner.
- Seuls certains types de verre, de céramique en verre calorifuge, en terre cuite ou autres ustensiles émaillés peuvent être utilisés avec le gril. Ces matériaux peuvent se briser sous les changements soudains de la température. Utilisez uniquement un feu faible ou moyen conformément aux directives du fabricant.
- Ne pas chauffer de conteneurs d'aliments fermés. La pression qui s'accumule peut faire exploser les conteneurs.
- Protéger la main lors de l'ouverture du couvercle du gril.
- Ne jamais se pencher sur un gril ouvert.
- Lorsque vous allumez un brûleur, concentrez-vous sur ce que vous faites. Gardez toujours à l'esprit le brûleur que vous êtes en train d'allumer et tenez votre corps et vos vêtements à l'écart des flammes nues.

- Lorsque vous utilisez le gril, ne touchez pas la grille du gril, celle du brûleur ou les zones environnantes qui chauffent très rapidement et peuvent vous brûler. Utilisez toujours des maniques sèches. Les maniques humides sur des surfaces chaudes engendrent de la vapeur et peuvent entraîner des brûlures. Ne pas utiliser de serviettes ni de chiffon à la place de maniques. Ne pas mettre les poignées en contact avec les parties chaudes de la grille du rack.
- La graisse est inflammable. Laissez la graisse chaude refroidir avant de nettoyer. Ne pas laisser de dépôts de graisse s'accumuler dans le plateau à graisse au fond de la chambre à cuisson du gril. Nettoyer souvent le plateau à graisse
- Pour garantir un bon allumage et une performance optimale des brûleurs, toujours maintenir les ouvertures des brûleurs propres. Il est nécessaire de les nettoyer régulièrement pour optimiser leur performance. Les brûleurs ne fonctionnent que dans une position et doivent en conséquence être installés correctement pour garantir un fonctionnement sécurisé.
- Nettoyer le gril avec précaution. Pour éviter toute brûlure de vapeur, ne pas utiliser d'éponge ou de chiffon mouillés pour nettoyer le gril quand il est encore chaud. Certains produits de nettoyage dégagent des fumées toxiques ou peuvent s'enflammer s'ils sont appliqués sur une surface chaude.
- Éteindre les commandes du gril et s'assurer que le gril est froid avant d'utiliser des nettoyants en aérosol sur ou autour du gril. Les produits chimiques qui produisent une pulvérisation peuvent en présence de chaleur, prendre feu ou provoquer la corrosion des pièces métalliques.
- Ne pas utiliser le gril pour cuisiner des viandes excessivement grasses ou d'autres produits pouvant favoriser des flambées.
- Ne pas utiliser le gril sous des constructions combustibles non protégés. Utiliser le gril uniquement dans des endroits bien ventilés. Ne pas utiliser le gril dans des bâtiments, des garages, des remises de jardin, des passages recouverts ou toute autre zone fermée.
- Ne jamais placer de matériaux combustibles, tels que des fluides, des déchets ou des vapeurs, telles que de l'essence ou un allume-feu autour du grill. Ne pas bloquer le courant de combustion et de ventilation.

NE JAMAIS CONNECTER À L'APPAREIL DE LIGNE D'ALIMENTATION DE GAZ SANS RÉGULATEUR. UTILISER L'ENSEMBLE TUYAU/RÉGULATEUR FOURNI.

AVERTISSEMENT

Ayez toujours à disposition un flacon pulvérisateur rempli d'eau savonneuse près du robinet de gaz et vérifiez les raccordements avant d'utiliser le gril.

NE PAS UTILISER DE FEUILLE D'ALUMINIUM POUR RECOUVRIR LES GRILLES DU GRIL OU LE FOND DU GRIL.

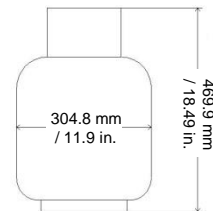
Cette feuille peut bloquer le flux d'air de la combustion ou engouffrer de la chaleur dans la zone de commande.

EMPLACEMENT ET ESPACE APPROPRIÉS AUTOUR DU GRIL

- Ne jamais utiliser votre gril à gaz dans un garage, sur un patio, dans une remise, dans un passage recouvert ou dans tout autre endroit fermé. Le gril à gaz ne peut être utilisé qu'à l'extérieur. Ne pas installer cette unité dans des enclos combustibles. L'espace minimum de tous les côtés et de l'arrière de l'unité jusqu'à la construction combustible doit être de 91 cm des côtés et 91 cm de l'arrière.
- **NE PAS** utiliser cet appareil sous des surfaces combustibles recouvertes. Cet appareil de cuisson à gaz pour extérieur n'est pas censé être installé dans ou sur des véhicules récréatifs ou des bateaux.
- La bouteille de gaz PL doit être entreposé à l'extérieur dans des zones bien ventilées et hors de la portée des enfants. Les réservoirs de LP non branchés ne doivent pas être entreposés dans un bâtiment, un garage ou tout autre emplacement fermé.
- Ne pas bloquer le courant de ventilation autour du boîtier du gril à gaz. Utilisez seulement l'ensemble tuyau et régulateur fourni avec votre gril à gaz. Tous les ensembles tuyaux et régulateurs de remplacement doivent correspondre à ceux spécifiés dans le présent manuel.
- L'ensemble tuyau et régulateur doit être inspecté avant chaque utilisation du gril. En cas d'abrasion ou d'usure excessives ou si le tuyau est coupé, vous devez remplacer le tuyau avant de réutiliser le gril. Le tuyau de rechange doit être celui qui a été spécifié par le fabricant.
- Utilisez uniquement l'ensemble tuyau et régulateur de pression fourni avec l'appareil à gaz de cuisson pour extérieur. Ne jamais substituer par d'autres types de régulateur. Contactez le service à la clientèle pour obtenir des pièces de remplacement spécifiées par le fabricant.
- Cet appareil à gaz de cuisson pour extérieur est muni d'un régulateur de pression conforme à la norme pour vannes de régulation de pression pour gaz PL ANSI/UL 144.
- Ne pas utiliser de briquettes agglomérées dans le gril.
- Le gril est destiné à fournir une performance optimale sans briquettes agglomérées. Ne pas placer de briquettes agglomérées sur radiant sous risque de bloquer la zone de ventilation des brûleurs de gril. L'ajout des briquettes peut endommager les composants d'allumage et les boutons et annuler la garantie.
- Nettoyez toujours les débris de l'arrière et du chariot latéral. Maintenez les cordons électriques ou celui du moteur de la rôtisserie à l'écart des zones chauffées du gril.
- Ne jamais utiliser le gril dans des conditions particulièrement venteuses. Si le gril doit être installé dans une zone venteuse (près de l'océan, en montagne, etc.), un pare-vent est requis. Toujours adhérer aux spécifications de l'espace requis.
- Ne jamais utiliser de bouteille de propane bosselée ou rouillée.
- Maintenir le cordon électrique et du tuyau d'alimentation de combustibles à l'écart de toute surface chauffante.
- Lors de l'allumage, maintenez votre visage et vos mains aussi loin que possible du gril.
- Le réglage du brûleur ne doit être effectué qu'une fois que le brûleur a refroidi.

Système d'alimentation de gaz PL

- Si ces consignes ne sont pas suivies à la lettre, un incendie peut se produire et entraîner des lésions corporelles graves voire la mort.
- La capacité maximale d'un réservoir de propane liquide est de 9,1 kg (20 lb) avec un diamètre d'environ 304,8 mm sur une hauteur de 469,9 mm.
- La bouteille de gaz d'alimentation PL à utiliser doit être fabriquée et marquée conformément aux spécifications pour bouteilles de gaz PL stipulées par le Département des transports des États-Unis (DOT) ou la Norme nationale du Canada, CAN/CSA -B339, bouteilles, bouteilles sphériques, et tubes utilisés pour le transport de marchandises dangereuses.
- La bouteille de gaz PL doit disposer d'un robinet d'arrêt menant à une sortie du robinet de PL compatible avec le Type 1. La bouteille de gaz LP doit être munie d'un robinet d'arrêt aboutissant à la sortie du robinet spécifié pour le raccordement de type QCC1 conformément à la norme pour le raccordement de la sortie et l'entrée du robinet de bouteille de gaz comprimé ANSI/CGA-V-1, selon le cas. La bouteille de gaz PL doit être munie d'un dispositif anti-débordement (ODP). La bouteille de PL doit également être munie d'un opercule de sécurité ayant un lien direct avec l'espace de vapeur de la bouteille. Ce dispositif de sécurité empêche un remplissage excessif de la bouteille qui pourrait entraîner le dysfonctionnement de la bouteille de gaz LP, du régulateur ou du gril.
- Le système d'alimentation de la bouteille doit être arrangé de manière à permettre le retrait de vapeur.
- Le réservoir de LP utilisé doit être muni d'un collier pour protéger la valve du réservoir.
- Placez le bouchon anti-poussière sur la sortie du robinet de la bouteille en tout temps lorsque vous n'utilisez pas la bouteille. N'installez que le type de bouchon anti-poussière qui est fourni avec le robinet de la bouteille. Les autres types de bouchon peuvent entraîner des fuites du propane.
- Ne jamais brancher un réservoir de GPL non réglementé à votre gril à gaz.
- Cet appareil de cuisson à gaz pour extérieur est équipé d'un ensemble tuyau/régulateur grande capacité destiné au raccordement d'une bouteille de propane liquide de 9.1 kg (20 lb). Bouteille de gaz propane.
- Faites remplir votre bouteille de PL par un fournisseur de gaz de propane fiable et exigez une inspection visuelle et une requalification lors de chaque remplissage.
- Ne rangez pas de bouteille de gaz PL de rechange sous ou près de cet appareil.
- Ne jamais remplir la bouteille à plus de 80 pour cent de sa capacité.
- Maintenez toujours les réservoirs de GPL en position verticale.
- N'entreposez pas et n'utilisez pas d'essence ou tout autre vapeur et liquide inflammables près de cet appareil ou de tout autre appareil.
- L'entreposage intérieur d'un appareil de cuisson à gaz pour extérieur est autorisé uniquement si la bouteille est déconnectée et enlevée de l'appareil de cuisson à gaz pour extérieur.
- Lorsque vous n'utilisez pas le gril à gaz, vous devez éteindre le gaz à partir de la bouteille de PL.



AVERTISSEMENT

Votre gril deviendra très chaud. Ne vous penchez jamais au-dessus de l'aire de cuisson pendant l'utilisation de votre gril. Ne touchez pas aux surfaces de cuisson, au boîtier du gril, au couvercle ou à toute autre pièce pendant l'utilisation du gril et tant qu'il n'a pas refroidi après l'usage.

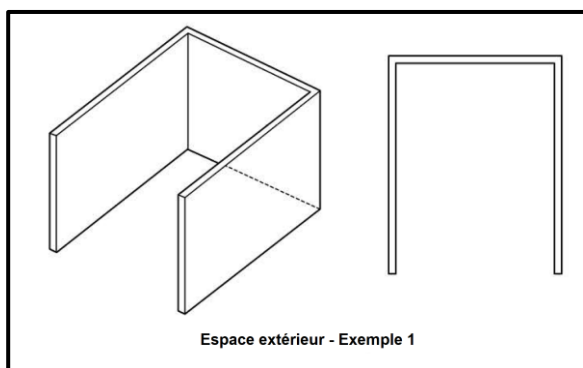
Le non-respect de ces consignes peut entraîner des lésions corporelles graves.

Ce gril est configuré pour fonctionner au propane liquide. Ne pas utiliser de gaz naturel à moins que le gril n'ait été reconfiguré pour le gaz naturel.

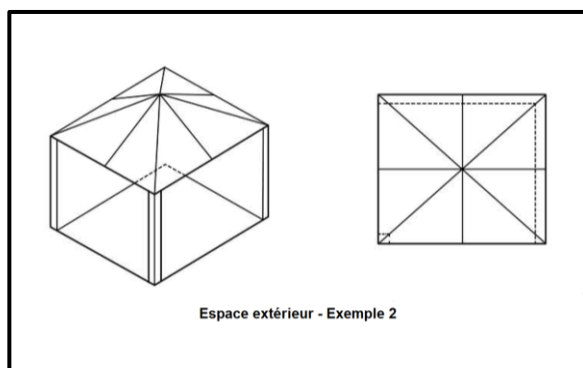
Représentation Schématique Des “Espaces extérieurs”

Cet appareil ne doit être utilisé que dans une situation d'air libre en surface avec ventilation naturelle, sans zones stagnantes, où les fuites de gaz et les produits de combustion sont rapidement dispersés par le vent et la convection naturelle.

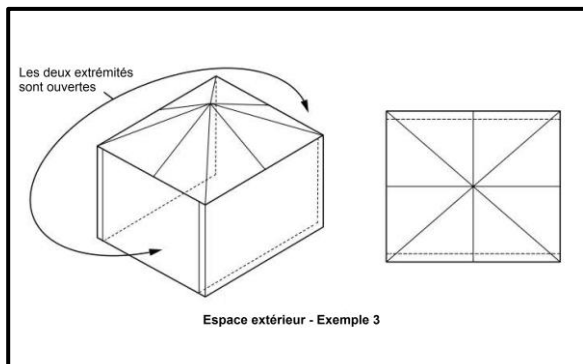
1. Un appareil est considéré comme étant à l'extérieur s'il est installé avec un abri non plus inclusif qu'avec des murs sur trois côtés, mais sans couvercle supérieur; toutes les ouvertures doivent être ouvertes de façon permanente; les portes coulissantes, les portes de garage, les fenêtres ou les ouvertures grillagées ne sont pas considérées comme des ouvertures permanentes.
2. Un appareil est considéré comme étant à l'extérieur s'il est installé avec un abri pas plus inclusif que dans un enclos partiel qui comprend un couvercle supérieur et pas plus de deux parois latérales. Les parois latérales peuvent être parallèles, comme dans un brise-vent, ou à angle droit les unes par rapport aux autres; toutes les ouvertures ne sont pas considérées comme des ouvertures permanentes.
3. Un appareil est considéré comme étant à l'extérieur s'il est installé avec un abri pas plus inclusif qu'avec une enceinte partielle qui comprend un couvercle supérieur et trois parois latérales, à condition que 30% ou plus de la périphérie horizontale de l'enceinte soit ouverte en permanence. Toutes les ouvertures doivent être ouvertes en permanence; les portes coulissantes, les portes de garage, les fenêtres ou les ouvertures grillagées ne sont pas considérées comme des ouvertures permanentes.



Espace extérieur - Exemple 1

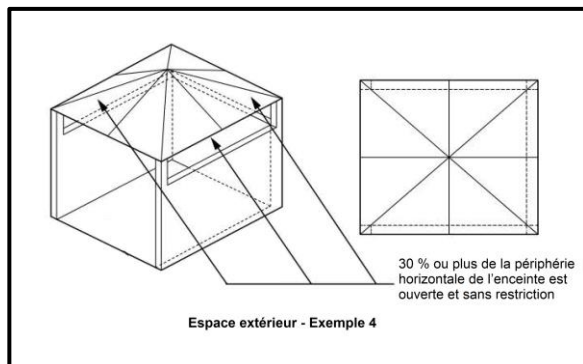


Espace extérieur - Exemple 2



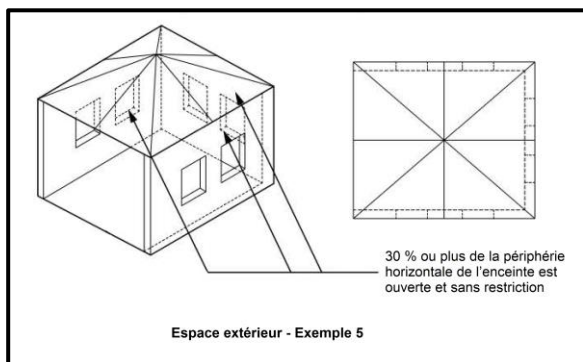
Les deux extrémités sont ouvertes

Espace extérieur - Exemple 3



30 % ou plus de la périphérie horizontale de l'enceinte est ouverte et sans restriction

Espace extérieur - Exemple 4



30 % ou plus de la périphérie horizontale de l'enceinte est ouverte et sans restriction

Espace extérieur - Exemple 5

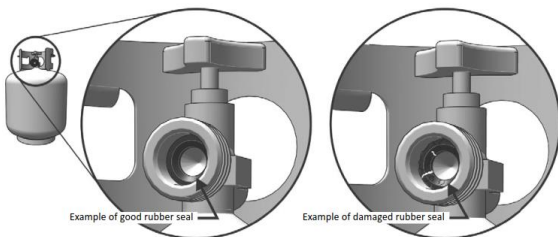
CONDITIONS RELATIVES AUX BOUTEILLES DE PL

Une bouteille de propane liquide qui serait cabossée ou rouillée doit être inspectée par votre fournisseur de gaz PL. Ne jamais utiliser de bouteille dont le robinet est endommagé. La bouteille de propane liquide doit être fabriquée et marquée conformément aux spécifications pour bouteilles de gaz PL régies par le Département des transports des États-Unis (DOT) ou régies par la Norme nationale du Canada CAN/CANB339, bouteilles, bouteilles sphériques et tubes utilisés pour le transport de marchandises dangereuses, tel qu'applicable. Un dispositif anti-débordement (ODP) doit être installé sur la bouteille avec une connexion QCC1 sur le robinet de la bouteille conformément à ANSI/CGA-V-1. Le système d'alimentation de la bouteille doit être arrangé de manière à permettre le retrait de vapeur. La bouteille doit inclure un collier pour la protection du robinet de la bouteille. La bouteille doit disposer d'un robinet d'arrêt menant à une sortie de robinet de la bouteille d'alimentation de gaz PL spécifié, selon le cas, pour un raccord de type QCC1 selon la norme pour le raccordement à la sortie et l'entrée du robinet de bouteille de gaz comprimé ANSI/CGA-V-1.

Pression du collecteur : 27,94 cm colonne d'eau (W.C.).

INSPECTION DES JOINTS D'ÉTANCHÉITÉ EN CAOUTCHOUC DES CITERNES

1. L'élément d'étanchéité de la face du cylindre en élastomère sur ces dispositifs pourrait, au fil du temps, montrer des dommages marqués et visibles ou une détérioration qui pourrait causer une fuite même avec la connexion resserrée.
2. L'inspection visuelle du joint doit être effectuée chaque fois qu'une bouteille de gaz LP est remplacée ou rechargée.
3. La bouteille de gaz LP montrant des signes de dommage ou de détérioration, y compris des fissures et des piqûres visibles, doit être remise au vendeur.



La bouteille doit être montée de telle sorte que la sortie de la valeur de décompression ne soit pas orientée vers la position de fonctionnement normale de l'utilisateur.

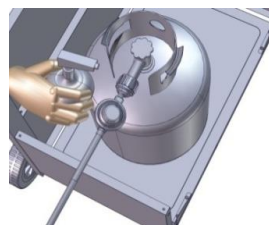
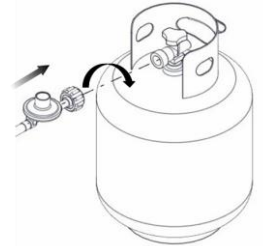
RACCORDEMENT DU GAZ PL

Assurez-vous que les œillets en plastique noirs sur le robinet de la bouteille PL sont en place et que le tuyau n'entre pas en contact avec le plateau à graisse ou la tête de grille.

RACCORDEMENT

Votre grill en acier inoxydable est équipé d'orifices d'alimentation de gaz pour utilisation uniquement avec du propane liquide. Cet appareil est également équipé d'un ensemble tuyau/régulateur grande capacité destiné au raccordement d'une bouteille de propane liquide de 9,1 kg (20 lb) (hauteur 469,9 mm, diamètre de 304,8 mm). Pour connecter la bouteille de propane liquide, procédez comme suit:

1. Assurez-vous que le robinet de la bouteille est fermé (tourné dans le sens horaire pour l'arrêt).
2. Vérifiez le robinet de la bouteille pour assurer qu'elle dispose de filets externes appropriés (raccordement de type 1 conformément à ANSIZ21.81).
3. Assurez-vous que toutes les valves des brûleurs sont en position fermée (OFF).
4. Inspectez les connexions de valve, l'orifice ainsi que le régulateur. Effectuez une inspection afin de détecter tout dégât ou débris, et enlevez-les, si présents. Inspectez le tuyau pour voir s'il est endommagé. Ne jamais utiliser de matériel endommagé ou bouché. Consultez le revendeur local de propane liquide pour toute réparation.
5. Lorsque vous joignez le régulateur à la valve, serrez l'écrou à raccord rapide à la main dans le sens horaire jusqu'à l'arrêt complet. Ne pas utiliser de clé pour serrer. Elle risque d'endommager l'écrou à raccord rapide, ce qui pourrait entraîner une situation dangereuse.
6. Ouvrez complètement le robinet de la bouteille (en tournant dans le sens antihoraire). Appliquez la solution savonneuse avec une brosse propre à tous les joints de gaz. Voir ci-dessous. Si des bulles se forment dans la solution, les joints ne sont pas scellés correctement. Vérifiez chaque raccord, et serrez ou réparez au besoin.
7. En cas de fuite dans le joint de gaz que vous ne pouvez réparer, éteignez le gaz du réservoir d'alimentation (position OFF), débranchez la conduite d'alimentation de votre grill et appelez le 1-800-913-8999 ou votre fournisseur de gaz pour de l'aide à la réparation.
8. Appliquez également la solution savonneuse aux rivures du réservoir. Voir ci-dessous. Si des bulles se forment, éteignez le réservoir, ne l'utilisez pas et ne le déplacez pas! Demandez de l'aide à un fournisseur en PL ou à votre service de pompier.



Pour déconnecter la bouteille de PL:

1. Mettez les valves de brûleurs sur arrêt (OFF).
2. Tournez le robinet de la bouteille complètement (dans le sens horaire pour l'arrêt).
3. Détachez l'ensemble du régulateur du robinet de la bouteille en tournant l'écrou à raccord rapide dans le sens antihoraire.

GÉNÉRALITÉS

Bien que les raccords de gaz sur le gril aient été testés pour les fuites à l'usine avant l'expédition, un contrôle doit être effectué sur site pour garantir que les raccords sont bien serrés pour parer à toute éventualité de mauvaise manipulation pendant l'expédition ou de pression excessive exercée involontairement sur l'unité. Vérifiez régulièrement qu'il n'y a pas de fuite dans le système en procédant comme suit. Si vous sentez une odeur de gaz, vous devez immédiatement inspecter le système en entier pour détecter les fuites potentielles.

AVANT DE PROCÉDER AU TEST

Assurez-vous que tous les matériaux d'emballage ont été enlevés gril, y compris les sangles de fixation.

**NE PAS FUMER PENDANT LE TEST DE FUITE.
NE JAMAIS TESTER LES FUITES AVEC UNE FLAMME NUE.**

Préparez une solution savonneuse moitié détergent liquide et moitié eau. Vous avez besoin d'un flacon pulvérisateur ou d'une brosse ou d'un chiffon pour appliquer la solution sur le raccord. Lors du test de fuite initiale, assurez-vous que la bouteille de propane liquide est pleine à 80%.

POUR TESTER

1. Assurez-vous que les valves de commande sont en position "O" et ouvrez l'alimentation de gaz.
2. Assurez-vous que toutes les connexions du régulateur du gaz PL et de la valve d'alimentation jusqu'à et y compris le raccordement au tuyau du collecteur (le tuyau qui va aux brûleurs) sont bien serrées. Des bulles de savon se formeront s'il y a une fuite.
3. Si une fuite est présente, tournez immédiatement l'alimentation du gaz sur arrêt et resserrez les raccords ayant des fuites.
4. Remettez le gaz sur marche et effectuez un nouveau contrôle.
5. Si le gaz fuit toujours de l'un des raccords, tournez l'alimentation du gaz sur arrêt et contactez le service clientèle au 1-800-913-8999 aux États-Unis. Langues parlées : Anglais, Français, Espagnol entre 8 h et 17 h, HNP, du lundi au vendredi.



Utilisez uniquement les pièces recommandées par le fabricant sur le gril.

Toute substitution annulerait la garantie. Ne pas utiliser le gril sans avoir contrôlé tous les raccords et déterminer l'absence de fuites.

VÉRIFICATION DU FLUX DE GAZ

Les brûleurs du gril sont testés et réglés à l'usine avant leur expédition ; toutefois, des différences dans l'alimentation du gaz local peuvent exiger le réglage des brûleurs. Les flammes des brûleurs doivent être vérifiées visuellement. Les flammes doivent être bleues et stables sans bouts jaunes ni bruit excessif ou soulèvement. En présence de l'une de ces conditions, vérifiez si l'obturateur d'air ou les orifices des brûleurs sont bloqués par des saletés, débris, toiles d'araignée, etc. Veuillez adresser vos questions sur la stabilité des flammes au service clientèle au 1-800-913-8999 aux États-Unis. Langues parlées : anglais, français, espagnol entre 8 h et 17 h, HNP, du lundi au vendredi.

TOUJOURS VÉRIFIER LA PRÉSENCE DE FUITE APRÈS CHAQUE CHANGEMENT DE LA BOUTEILLE DE PL

Avant chaque utilisation, vérifiez tous les raccords d'alimentation de gaz pour détecter les fuites. Il est recommandé de conserver un flacon pulvérisateur d'eau savonneuse près de la valve d'arrêt de la conduite d'alimentation de gaz. Pulvériser tous les raccords. La présence de bulles confirme les fuites.

Liste de contrôle finale de l'installateur

- ✓ **L'espace minimum de tous les côtés et de l'arrière de l'unité jusqu'à la construction combustible doit être de 92 cm des côtés et 92 cm de l'arrière**
- ✓ **Tous les emballages internes enlevés.**
- ✓ **Les boutons tournent librement**
- ✓ **Les brûleurs sont bien serrés et bien logés sur les orifices**
- ✓ **Le régulateur de pression est connecté et réglé Raccords de gaz au gril à l'aide de l'ensemble tuyau-régulateur fourni (prérégulé pour une colonne d'eau de 11,0 po)**
- ✓ **Unité testée et sans fuites**
- ✓ **Utilisateur informé sur l'emplacement de la valve d'arrêt de l'alimentation du gaz**

NOTE À L'UTILISATEUR : VEUILLEZ CONSERVER CE MANUEL À TITRE DE RÉFÉRENCE ULTÉRIEURE

MISES EN GARDE SUR LA BOUTEILLE DE PROPANE

- a) **Ne rangez pas de bouteille de gaz PL de rechange sous ou près de cet appareil**
- b) **Ne jamais remplir la bouteille à plus de 80 pour cent de sa capacité**
- c) **Si ces consignes des points a et b ne sont pas suivies à la lettre, un incendie ou une explosion peuvent se produire ce qui entraînerait des lésions corporelles graves voire la mort**

UTILISATION D'ORDRE GÉNÉRAL DU GRIL

La capacité de chaque brûleur principal est de 14 000 BTU/hr. Les brûleurs principaux du grill occupent la surface de cuisson totale et sont dirigés sur les côtés pour réduire tout blocage provenant de la graisse et des débris qui tomberaient. Les boutons d'allumage sont situés sur la partie inférieure du centre du panneau des valves. Les allumeurs rotatifs sont étiquetés sur le panneau de commande.

Le grill a été conçu pour griller efficacement sans pierre de lave ni briquettes agglomérées d'aucune sorte. La chaleur est diffusée par le dispositif de contrôle des flammes au-dessus de chaque brûleur.

Température ambiante minimale de fonctionnement:
0 °F, (-17.8 °C)

NE PAS LAISSER LE GRIL SANS SUPERVISION PENDANT LA CUISSON.

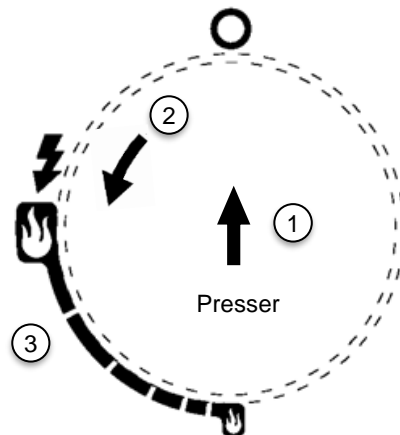
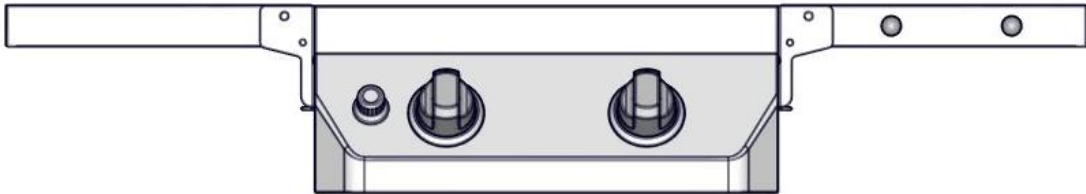
UTILISATION DU GRIL

La cuisson sur grill requiert une température élevée pour bien saisir et un brunissement approprié. La plupart des aliments sont cuits à un réglage élevée pendant le temps total de leur cuisson. Toutefois, lorsque vous grillez des gros morceaux de viande ou volaille, il peut s'avérer nécessaire de réduire la flamme après le brunissement initial. Les aliments cuisent parfaitement sans brûler l'extérieur. Les aliments cuisinés pendant un long moment ou ceux qui ont été trempés dans une marinade sucrée un peuvent nécessiter une flamme plus faible vers la fin de leur cuisson.

REMARQUE : le grill chaud saisit les aliments dans leurs jus. Plus le grill est préchauffé, plus la viande brunit rapidement et plus les marques du grill sont foncées.

Panneau de configuration

Remarque : avant d'utiliser le grill, enlevez le matériau d'emballage, y compris les sangles



Etiquette de bouton de commande

Consignes pour l'allumage du grill

⚠ AVERTISSEMENT: IMPORTANT!

AVANT D'ALLUMER LE GRIL

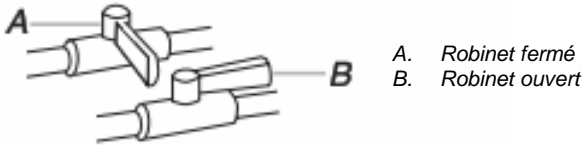
Inspectez le tuyau d'alimentation de gaz avant de le mettre en marche. S'il y a des traces de coupures, d'usure ou d'abrasion, il doit être remplacé avant l'utilisation. N'utilisez pas le grill si une odeur de gaz est présente. Seuls le régulateur de pression et le tuyau fournis avec l'unité doivent être utilisés. Ne jamais remplacer les détendeurs et les flexibles par ceux fournis avec le grill. Si un remplacement est nécessaire, contactez le fabricant pour un remplacement approprié. Le remplacement doit être celui spécifié dans le manuel.

⚠ AVERTISSEMENT:

Maintenez toujours votre visage et votre corps aussi loin que possible du brûleur lors de l'allumage.

POUR ALLUMER LE BRÛLEUR PRINCIPAL/LATÉRAL

Assurez-vous que les boutons sont en position "O", et ouvrez l'alimentation de gaz sur la bouteille de PL. Maintenez toujours votre visage et votre corps aussi loin que possible du grill lors de l'allumage. Pour grills d'extérieur avec source de gaz autre qu'une bouteille de propane de 9,1 kg / 20 lb, ouvrir le robinet d'arrêt manuel sur la canalisation d'alimentation en gaz. Le robinet est ouvert lorsque la poignée est parallèle au conduit d'alimentation en gaz



Pour allumer le brûleur, poussez et tournez le bouton de commande du brûleur principal à la position "⚡", tout en appuyant et en maintenant enfoncé le bouton d'allumage électronique.

Dès que le brûleur est allumé, relâchez le bouton d'allumage électronique et le bouton du brûleur. Si le brûleur ne s'allume pas, attendez 5 minutes que tout excès de gaz se soit dissipé et réessayez.

MISES EN GARDE

Placez le bouchon anti-poussière sur la sortie du robinet de la bouteille en tout temps lorsque vous n'utilisez pas la bouteille. N'installez que le type de bouchon anti-poussière qui est fourni avec le robinet de la bouteille. Les autres types de bouchons peuvent entraîner des fuites du propane.

Lorsque vous n'utilisez pas l'unité, le gaz doit être coupé au niveau de la bouteille.

Si l'appareil est entreposé à l'intérieur, la bouteille doit être déconnectée et enlevée de l'appareil. Les bouteilles doivent être entreposées à l'extérieur dans des zones bien ventilées et hors de la portée des enfants.

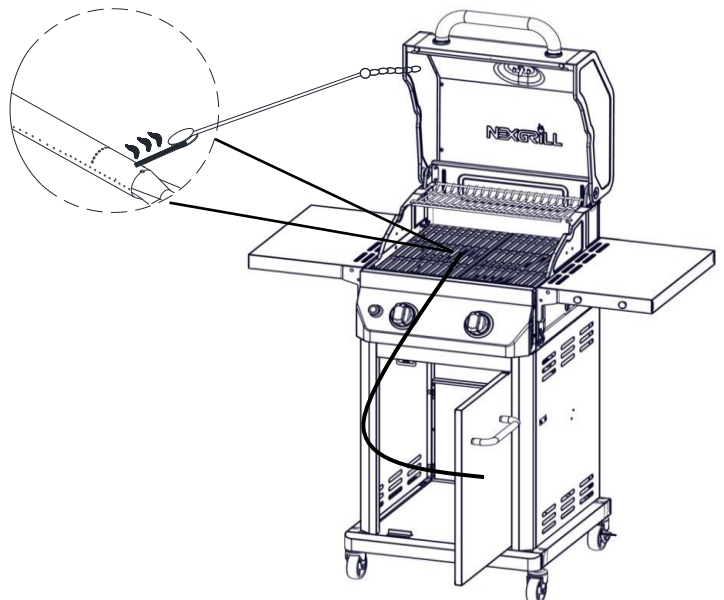
Ayez toujours à disposition un flacon pulvérisateur rempli d'eau savonneuse près du robinet de gaz et vérifiez les raccordements avant d'utiliser le grill.

Ne pas allumer le grill si une odeur de gaz est présente. Appelez le 1-800-913-8999. Langues parlées : Anglais, Français, Espagnol entre 8 h et 17 h, HNP, du lundi au vendredi. pour un contrôle.

Les brûleurs sont réglés avant l'expédition; toutefois, des différences dans l'alimentation du gaz local peuvent exiger le réglage des brûleurs.

Allumez l'éclairage

1. Si le brûleur ne s'allume pas après plusieurs tentatives, vous pouvez essayer de l'allumer avec une allumette. Toutefois avant de le faire, attendez 5 minutes que le gaz accumulé se soit dissipé.
2. Attacher une allumette à l'extrémité de la tige d'allumage.
3. Allumez l'allumette.
4. Tenez le bâtonnet d'allumage et introduisez l'allumette allumée près des orifices du brûleur.
5. Appuyez sur le bouton de commande approprié que vous tournez en position "⚡".
6. Le brûleur devrait s'allumer immédiatement.



ACIER INOXYDABLE

Il existe plusieurs produits de nettoyage pour l'acier inoxydable. Utilisez toujours la procédure de nettoyage la plus douce, en frottant dans le sens du grain. N'utilisez pas de laine d'acier qui raye la surface. Pour retoucher les rayures visibles dans l'acier inoxydable, poncez légèrement avec du papier d'émerit abrasif 100 dans le sens du grain. Des taches de graisse peuvent s'accumuler sur les surfaces en acier inoxydable et cuire donnant l'apparence de la rouille. Pour les nettoyer, utilisez un tampon moyennement abrasif avec un produit de nettoyage pour acier inoxydable.

GRILLE DU GRIL

Le meilleur moyen de nettoyer le gril consiste à le nettoyer immédiatement après avoir cuisiné et éteint la flamme. Portez des gants spéciaux pour le barbecue afin de protéger vos mains de la chaleur et de la vapeur. Trempez une brosse de barbecue en cuivre dans l'eau et frottez le gril chaud. Trempez fréquemment la brosse dans le bol d'eau. La vapeur générée lorsque l'eau entre en contact avec le gril chaud facilite le nettoyage en amollissant les particules d'aliments. Si vous ne nettoyez pas le gril de suite et le laissez refroidir avant de procéder au nettoyage, l'opération sera plus difficile.

ASSUREZ-VOUS QUE L'ALIMENTATION DU GAZ ET LES BOUTONS SONT EN POSITION "O". VEILLEZ À CE QUE LES BRÛLEURS EN HAUT AIENT REFROIDI AVANT DE LES ENLEVER.

BRÛLEURS DU GRIL

Prenez toutes les précautions nécessaires lorsque vous déplacez un brûleur qui doit toujours être correctement centré sur l'orifice avant de rallumer le gril. La fréquence du nettoyage dépend des utilisations de votre gril.

NETTOYAGE DU BRÛLEUR PRINCIPAL DU GRIL

Éteindre l'alimentation en gaz et mettre les boutons en position « O ». Lorsque le gril est refroidi, nettoyer l'extérieur du brûleur avec une brosse métallique. Enlever les dépôts tenaces avec un grattoir métallique. Dégager les orifices bloqués avec un trombone déplié. N'utilisez jamais de cure-dents en bois. Ils peuvent se briser et boucher l'orifice. Si des insectes ou tout autre type d'obstruction ont bloqué le flux du gaz du brûleur, vous devez appeler notre service clientèle au 1-800-913-8999. Langues: parlées : Anglais, Français, Espagnol entre 8 h et 17 h, HNP, du lundi au vendredi.

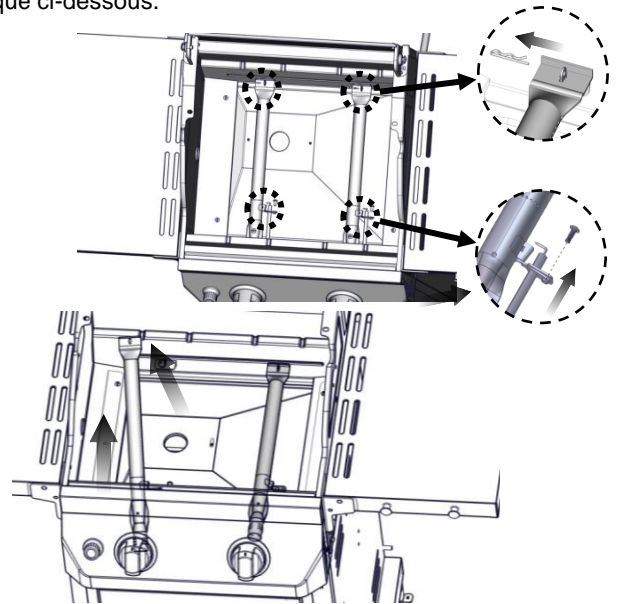
NETTOYAGE DU PLATEAU À GRAISSE

Le plateau à graisse doit être vidé et essuyé périodiquement, puis lavé dans une solution de savon doux et d'eau tiède. Une petite quantité de sable peut être placée dans le fond du plateau à graisse afin d'absorber la graisse. Vérifiez souvent le plateau à graisse et ne laissez pas d'excès de graisse s'accumuler et déborder du plateau à graisse.

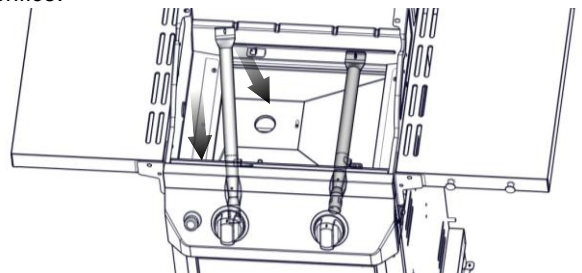
Avertissement : pour le remplacement du brûleur principal, nous recommandons vivement que vous engagiez un technicien professionnel qui se chargera de l'opération. Sachez que nous ne pouvons pas assurer la responsabilité des blessures ou dommages matériels qui pourraient survenir suite à une installation incorrecte du brûleur.

COMMENT REMPLACER LE BRÛLEUR PRINCIPAL

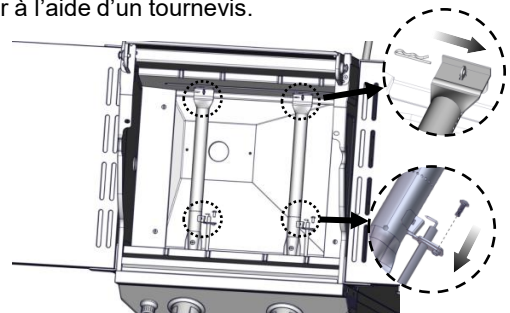
Étape 1. Retirez la vis et la goupille "R" qui maintiennent le brûleur en place. Retirez le brûleur à gaz du gril, comme indiqué ci-dessous.



Étape 2. Insérez le brûleur sur l'orifice et fixez le couvercle de la broche du brûleur sur le brûleur, comme indiqué ci-dessous, assurez-vous que le trou du brûleur est dirigé vers l'orifice.



Étape 3. Fixez le brûleur principal sur la paroi arrière de la boîte à feu avec la goupille "R". Et installez la goupille du brûleur à l'aide d'un tournevis.



MISE EN GARDE

1. Gardez la zone de l'appareil au gaz pour cuisson à l'extérieur libre de tout matériau combustible, essence et autres vapeurs et liquides inflammables.
2. Ne pas bloquer le courant de combustion et de ventilation.
3. Nettoyez toujours les débris des ouvertures de ventilation de la bouteille.

AVERTISSEMENT CONCERNANT LES ARAIGNÉES ET LES INSECTES

Inspectez et nettoyez les brûleurs / tubes de venturi afin de détecter la présence d'insectes et de nids d'insectes. Un tube bouché peut favoriser un feu en dessous du gril.

Bien qu'un tuyau de brûleur bloqué ne soit pas la seule cause de ces « RETOURS DE FLAMME », il s'agit néanmoins de la cause la plus commune.

Pour réduire le risque de « RETOURS DE FLAMME », vous devez nettoyer les tuyaux de brûleurs avant de monter votre gril et au moins une fois par mois à la fin de l'été et au début de l'automne lorsque les araignées sont particulièrement actives. Nettoyez également les tuyaux de brûleurs si votre gril n'a pas servi pendant une longue période.

À QUEL MOMENT FAUT-IL RECHERCHER LES ARAIGNÉES

Vous devriez inspecter les brûleurs au moins une fois par an ou immédiatement après l'une des situations suivantes:

1. L'odeur de gaz avec des flammes du brûleur jaunes.
2. Le gril n'atteint pas la température.
3. Le gril ne chauffe pas de manière uniforme.
4. Les brûleurs font des bruits d'éclat.

AVANT D'APPELER LE SERVICE À LA CLIENTÈLE

Si le gril ne fonctionne pas correctement, effectuez chaque vérification de la liste qui suit avant de contacter le service clientèle. Vous pouvez ainsi économiser les frais d'une intervention pour réparation.

PRÉCHAUFFAGE : Le couvercle du gril doit être fermé pendant la période de préchauffage. Il est nécessaire de préchauffer le gril avant de cuire certains aliments, selon leur type et la température de cuisson requise. Un préchauffage de cinq minutes est requis pour les aliments nécessitant une température de cuisson élevée ; un préchauffage de deux à trois minutes est requis pour les aliments nécessitant une température de cuisson plus basse.

TEMPÉRATURES DE CUISSON

Réglage élevé: utilisez ce réglage pour réchauffer rapidement, saisir les biftecks et les côtelettes et les grillades.

Réglage bas : utilisez ce réglage pour le rôtissage, cuisson et lorsque vous cuisinez des morceaux maigres, tels que le poisson.

Ces températures varient selon la température extérieure et la force du vent.

Cuisiner avec une chaleur indirecte: vous pouvez cuisiner la volaille et les gros morceaux de viande lentement à perfection d'un côté du gril au moyen de la chaleur indirecte du brûleur sur l'autre côté. La chaleur du brûleur allumé circule lentement dans tout le gril, cuisinant la viande ou la volaille sans qu'aucune flamme ne les touche directement. Cette méthode réduit considérablement les flambées lors de la cuisson de pièces particulièrement grasses puisqu'il n'y a pas de flamme directe pour enflammer les grasses ni les jus gouttant pendant la cuisson.

MISE EN GARDE: si les brûleurs s'éteignent pendant l'opération, coupez le gaz à la source et éteignez toutes les valves de gaz. Ouvrez le couvercle et attendez cinq minutes avant de rallumer (cette attente permet de dissiper la fumée du gaz qui s'est accumulé).

MISE EN GARDE: si un feu de graisse se déclenche, coupez l'alimentation du gaz à la source, éteignez tous les brûleurs et laissez le couvercle fermé jusqu'à ce que le feu se soit maîtrisé.

MISE EN GARDE: NE PAS débrancher le tuyau de gaz pendant que le gril est en marche. Comme pour n'importe quel autre appareil, un bon nettoyage et entretien permettent à ces appareils de fonctionner dans les meilleures conditions et d'avoir une vie utile plus longue. Votre gril au gaz ne fait pas exception à la règle.

MISE EN GARDE : le couvercle du brûleur latéral chauffera si le gril est utilisé avec le couvercle fermé.

PROBLÈME	SOLUTION
Lorsque j'essaie d'allumer mon gril, il ne s'allume pas immédiatement.	Assurez-vous qu'il y a une étincelle lorsque vous essayez d'allumer le brûleur (s'il n'y a pas d'étincelle) . Vérifiez que la pile est correctement installée. Assurez-vous que le fil est branché l'ensemble d'électrodes. Nettoyez les fils et/ou les électrodes en les frottant avec de l'alcool et un écouvillon propre. Essuyez avec un chiffon propre. Vérifiez si les autres brûleurs fonctionnent. Si c'est le cas, vérifiez s'il y a une obstruction dans l'orifice de gaz du brûleur en fonctionnant pas.
Le régulateur fait du bruit.	Il est possible que le tuyau d'évent sur le régulateur soit bouché ou le régulateur soit défectueux. Vérifiez que trou de l'évent sur le régulateur n'est pas bouché. Nettoyez le trou, fermez les valves de commande de gaz. Attendez une dizaine de minutes avant de rallumer. Vérifiez l'état des flammes afin de garantir une performance appropriée. Si les flammes ne sont pas correctes, remplacez le régulateur.

PROBLÈME	SOLUTION
Le couvercle (dimension régulière) ne correspond pas au gril.	Le couvercle peut être incorrect pour votre gril. Il peut être trop serré. Assurez-vous que la longueur du couvercle correspond à celle de votre gril. Mesurez la longueur de gauche à droite. Comparez à la mesure du gril. Comparez l'emplacement et la taille de la partie du capot du couvercle par rapport à votre gril. Étalez le couvercle et laissez se détendre, de préférence à la lumière du jour ou dans une pièce chaude. Pour le gril ayant une étagère latérale, pliez le couvercle en forme de chaussette, placez le de côté gauche vers la droite.
Le gril ne chauffe qu'à 93-149°C / 200-300°F.	Vérifiez que le tuyau d'alimentation n'est ni plié ni cabossé. Assurez-vous que la zone de la grille n'est pas poussiéreuse. Assurez-vous que le brûleur et les orifices sont propres. Vérifiez la présence d'araignées et d'insectes. Le régulateur dispose d'un dispositif de sécurité limitant le flux du gaz en cas de fuite. Ce dispositif de sécurité peut se déclencher sans qu'il y ait de fuite. Pour réenclencher le dispositif de sécurité, éteignez les brûleurs et fermez le robinet de la bouteille PL. Déconnectez le régulateur de la bouteille PL et attendez une minute. Reconnectez le régulateur au réservoir de bouteille PL et ouvrez lentement le robinet de la bouteille PL jusqu'à ce que le robinet soit totalement ouvert. Allumez les brûleurs et observez la température.
Il faut beaucoup de temps au gril pour préchauffer.	Un préchauffage normal à 260-316°C / 500-600°F prend entre 10 et 15 minutes. Le temps froid et le vent sont des facteurs ayant un impact sur la durée du préchauffage. Des roches volcaniques ou des briquettes agglomérées peuvent augmenter le temps de préchauffage ainsi que la température maximum.
Les flammes des brûleurs ne sont pas d'une couleur bleue claire.	Trop ou pas assez d'air pour la flamme. L'élévation est la cause principale, toutefois un temps froid peut affecter le mélange. Les brûleurs doivent être réglés. Le gril est placé dans un endroit venteux.

Commande de pièces

COMMENT PASSER UNE COMMANDE DE PIÈCES DE REMPLACEMENT

Pour garantir que les pièces de remplacement convenant à votre gril à gaz seront envoyées, veuillez consulter les numéros de pièces sur à la page 65. Les informations suivantes sont requises pour assurer que la pièce envoyée est correcte. Prière de remarquer que les frais de livraison des pièces de rechange sont à votre charge.

- Numéro du modèle du gril au gaz (voir l'étiquette apposée sur le gril).
- Numéro de la pièce de remplacement nécessaire.
- Description de la pièce de remplacement nécessaire.
- Quantité de pièces requises

Pour obtenir des pièces de rechange, contactez notre service clientèle au 1-800-913-8999. Langues parlées : Anglais, Français, Espagnol entre 8 h et 17 h, HNP, du lundi au vendredi.

IMPORTANT

Utilisez uniquement les pièces autorisées par l'usine. L'emploi de pièces qui ne seraient pas autorisées par l'usine peut être dangereux. Toute substitution annulerait votre garantie.

Conservez ce manuel d'instructions pour l'assemblage et de fonctionnement qui vous servira de référence et facilitera votre commande de pièces de remplacement.

Nexgrill garantit à l'acheteur-consommateur d'origine uniquement que ce produit (*Modèle n° 720-0864RH, 720-0864RK*) est exempt de défaut de fabrication et de matériaux après un assemblage correct et dans des conditions d'utilisation normales et raisonnables au domicile pendant les périodes indiquées ci-dessous à compter de la date d'achat. Le fabricant se réserve le droit de demander une photo comme preuve du dommage ou de renvoyer les pièces défectueuses, tout frais d'expédition par voie postale ou transport prépayé par le consommateur, à titre de révision et d'inspection. L'obligation de Megamaster est limitée à la réparation, le remplacement ou la valeur dépréciée, au gré de Megamaster.

Brûleurs: Garantie LIMITÉE de 5 ans contre la perforation.

Grilles de cuisson, allumage électronique : Garantie LIMITÉE de 1 an

* Ne couvre pas les chutes, les écaillages, les éraflures ni les dommages à la surface.

Pièces en acier inoxydable : Garantie LIMITÉE de 1 an contre la perforation.

* Ne couvre pas les problèmes cosmétiques telles que la corrosion de la surface, les éraflures et la rouille .

Toutes les autres pièces : Garantie LIMITÉE de 1 an

* Ne couvre pas l'écaillage, les éraflures, les fissures, la corrosion de la surface ou la rouille .

Une fois que le consommateur fournissant la preuve d'achat, tel qu'indiqué ci-contre, le fabricant répare ou remplace les pièces qui sont prouvées défectueuses pendant la période de garantie applicable. Les pièces requises pour l'exécution de ladite réparation ou le remplacement seront gratuites sauf pour les frais d'expédition, tant que l'acheteur soumet sa demande dans la période de garantie depuis la date d'origine de l'achat. L'acheteur-consommateur d'origine sera responsable des frais d'expédition des pièces remplacées selon les conditions de la présente garantie limitée. La présente garantie limitée est applicable aux États-Unis uniquement et uniquement disponible au propriétaire d'origine du produit. Elle *n'est pas transférable*. Le fabricant requiert une preuve raisonnable de votre date d'achat. Vous devez en conséquence conserver votre reçu d'achat et/ou facture. Si l'unité a été offerte en cadeau, demandez au donneur du cadeau d'envoyer le reçu en votre nom à l'adresse indiquée ci-dessous. Toute pièce défectueuse ou manquante soumise à la présente garantie limitée ne sera pas remplacée sans enregistrement ni preuve d'achat. La présente garantie limitée s'applique à la fonctionnalité du produit UNIQUEMENT et ne couvre pas les questions cosmétiques, telles que les éraflures, les bosses, les corrosions ou la décoloration résultant de la chaleur ou des agents de nettoyage chimique ou tout autre type d'outil utilisé pour l'assemblage ou l'installation de l'appareil, la rouille sur la surface ou la décoloration des surfaces en acier inoxydable. La rouille de la surface, la corrosion ou l'écaillage de la peinture en poudre sur les pièces métalliques n'affectent pas l'intégrité structurelle du produit et ne sont pas considérés comme défaut de fabrication ou de matériaux. En conséquence, ils ne sont pas couverts par la présente garantie. La présente garantie ne rembourse pas le coût de toute complication, aliment, blessure personnelle ni dommage matériel. Si une pièce de remplacement d'origine n'est pas disponible, une pièce de remplacement comparable sera envoyée. Vous serez responsable des frais d'expédition de toutes les pièces remplacées selon les conditions de la présente garantie limitée.

ÉLÉMENTS QUE LE FABRICANT NE REMBOURSE PAS :

- Interventions pour réparation à votre domicile.
- Réparations lorsque votre produit est utilisé pour une utilisation autre qu'une famille normale ou résidentielle.
- Dommage résultant d'accident, modification, utilisation erronée, manque de maintenance/nettoyage, abus, incendie, inondation, cas de force majeure, installation incorrecte et installation ne correspondant pas aux codes d'électricité ou de plomberie ou utilisation des produits non approuvés par le fabricant.
- Toute perte d'aliment en raison de pannes de produit.
- Pièces de remplacement ou coûts de main-d'œuvre pour la réparation pour les unités utilisées en dehors des États-Unis ou au Canada.
- Prise en charge et livraison de votre produit.
- Frais d'expédition ou de traitement des photos envoyées dans des documents.
- Réparation des pièces ou des systèmes résultant de modifications non autorisées apportées au produit.
- La prise en charge et/ou réinstallation de votre produit.
- Coût d'expédition, standard ou expédié, pour les pièces sous garantie/non garantie et de remplacement.

CLAUSE DE DÉNÉGATION DE RESPONSABILITÉ DES GARANTIES IMPLICITES; LIMITES DES RECOURS

La réparation ou le remplacement des pièces défectueuses sont votre recours exclusif conformément aux conditions de la présente garantie limitée. Le fabricant n'est pas responsable des dommages directs ou accessoires découlant d'une infraction à la présente garantie limitée ou à toute autre garantie implicite applicable ou toute défaillance ou dommage résultant de cas fortuit, entretien et maintenance incorrects, incendie déclenché par la graisse, accident, modification, remplacement de pièces de marques fabriquées par tiers, utilisation erronée, transport, utilisation commerciale, abus, environnements hostiles (temps rudes, calamités naturelles, modifications par des animaux), installation inappropriée ou non conforme aux codes locaux ou aux instructions imprimées du fabricant.

LA PRÉSENTE GARANTIE EST LA SEULE GARANTIE EXPRESSE OFFERTE PAR LE FABRICANT. AUCUNE SPÉCIFICATION DE PERFORMANCE OU DESCRIPTION DU PRODUIT, WHEREVER IT APPEARS N'EST GARANTIE PAR LE FABRICANT SAUF DANS LA FORME TELLE QUE STIPULÉE DANS LA PRÉSENTE GARANTIE. TOUTE PROTECTION DE GARANTIE IMPLICITE DÉCOULE DES LOIS D'UN ÉTAT QUELCONQUE, Y COMPRIS GARANTIE IMPLICITE DE COMMERCIALISATION OU D'ADAPTABILITÉ DANS UN OBJECTIF OU EMPLOI PARTICULIER EST PAR LA PRÉSENTE LIMITÉE EN TEMPS À LA DURÉE STIPULÉE CI-CONTRE.

Ni les revendeurs ni l'établissement de vente au détail vendant ce produit n'ont le droit de proposer d'autres garanties supplémentaires ou de promettre des recours additionnels ou ne correspondant pas aux déclarations susmentionnées. La responsabilité maximum du fabricant, dans tous les cas, ne peut pas dépasser le prix d'achat documenté du produit réglé par le consommateur d'origine. La présente garantie ne s'applique qu'aux unités achetées auprès d'un vendeur au détail ou revendeur agréé. REMARQUE : Certains états n'autorisent pas l'exclusion ni la limite de dommages directs ou indirects, en conséquence certaines limites ou exclusions susmentionnées peuvent ne pas vous concerner ; la présente garantie limitée vous confère des droits spécifiques légaux tels que stipulés dans les présentes. Vous pouvez en outre bénéficier d'autres droits variant d'un état à un autre.

Pour faire valoir vos droits conformément à la présente garantie limitée, vous devez envoyer un courrier à :

Nexgrill's Customer Relations
14050 Laurelwood PI
Chino, CA 91710 U.S.A.

Pour retourner un produit, commander des pièces ou obtenir des renseignements généraux ou de l'assistance technique, appeler au 1-800-913-8999, entre 8 h et 17 h (heure du Pacifique) en semaine. Service en anglais, en français, et en espagnol.

Instrucciones de seguridad	31	Instrucciones de encendido de la parrilla . . .	39
Representación esquemática de "áreas al aire libre"	35	Cuidado y mantenimiento.	40
Conexión de gas	36	Localización y resolución de problemas	41
Control de fugas	37	Ordenar repuestos.	42
Lista final de control para el instalador.	37	Garantía limitada.	43
Instrucciones de uso	38	Vista en detalle	44
Panel de control	38	Lista de partes	47

⚠ PELIGRO

En caso de que usted huelga gas:

- Cierre el suministro de gas del dispositivo.
- Apague cualquier tipo de llama abierta.
- Abra la tapa.
- Si el olor persiste, manténgase alejado del dispositivo y llame inmediatamente a su proveedor del servicio de gas o al departamento de bomberos.

⚠ ADVERTENCIA

1. No almacene ni use gasolina u otros líquidos o vapores inflamables en las cercanías de este o cualquier otro dispositivo.
2. No se debe almacenar en las cercanías de este o cualquier otro dispositivo un cilindro de propano líquido (LP, por sus siglas en inglés) que no esté conectado para su uso.

⚠ PELIGRO

1. Nunca opere este dispositivo sin prestarle atención.
2. Nunca opere este dispositivo dentro de una distancia de 3,05 m / 10 ft. de cualquier tipo de estructura, material combustible u otro cilindro con gas.
3. Nunca opere este dispositivo dentro de una distancia de 7,62 m / 25 ft. de cualquier tipo de líquido inflamable.
4. No llene el recipiente de cocción más allá de la línea de llenado máximo.
5. Los líquidos calentados mantienen la temperatura de hervor aun mucho después del proceso de cocción. No toque el dispositivo de cocción hasta que la temperatura de los líquidos haya bajado a 45°C / 115°F o menos.
6. Este dispositivo no está diseñado ni debe usarse para calentar.
7. En caso de incendio, manténgase alejado del dispositivo e inmediatamente llame al departamento de bomberos. No intente extinguir el fuego originado por grasa o aceite con agua.

⚠ En caso de que estas instrucciones no se cumplieran, ello podría dar como resultado un incendio o una explosión que podría causar lesiones corporales graves, la muerte o daños a la propiedad.

⚠ Su parrilla llegará a tener una temperatura muy elevada. Nunca se incline sobre el área de cocción mientras use la parrilla. No toque las superficies de cocción, la carcasa de la parrilla, la tapa u otras partes de la parrilla mientras se encuentra en uso o hasta que la parrilla a gas se haya enfriado después del uso.

⚠ RESIDENTES DE CALIFORNIA SOLAMENTE - ADVERTENCIA: LOS COMBUSTIBLES UTILIZADOS EN APARATOS DE GAS PROPANO LÍQUIDO Y LOS PRODUCTOS DE LA COMBUSTIÓN DE TALES COMBUSTIBLES PUEDEN EXPONERLE A PRODUCTOS QUÍMICOS, INCLUYENDO EL BENCENO, QUE ES CONOCIDO POR EL ESTADO DE CALIFORNIA PARA CAUSAR CÁNCER Y DEFECTOS DE CONGÉNITO U OTROS DAÑOS REPRODUCTIVOS.

Para más información, visite www.P65Warnings.ca.gov

En el estado de Massachusetts se aplican las siguientes instrucciones de instalación:

- Las instalaciones y reparaciones se deben efectuar por un contratista, plomero o gasista calificado o licenciado por el estado de Massachusetts.
- Si se usa una válvula de bola, debe ser un tipo de manigueta T.
- Si se usa un conector de gas flexible no debe exceder de 3 pies.

PROBADO CONFORME AL ESTÁNDAR CSA/ANSI Z21.58-2022 • CSA 1.6-2022 PARA DISPOSITIVO DE COCCIÓN A GAS PARA LUGARES ABIERTOS. ESTA PARRILLA ES EXCLUSIVA PARA USO EN LUGARES ABIERTOS.

Códigos de instalación de la parrilla

Para utilizar el método correcto de instalación, verifique los códigos locales de la propiedad. En caso de no existir códigos locales, la presente unidad deberá instalarse de acuerdo con lo dispuesto en el Código Nacional de Gas Combustible, ANSI Z223.1/NFPA 54, Almacenamiento y Manipulación de gases de petróleo licuados, ANSI / NFPA B149.2 o CSA B149.1 Código de Instalación de Gas Natural y Propano, y el Código Nacional de Electricidad., ANSI/NFPA 70.

Uso correcto del tanque de gas LP

Los modelos de parrilla de gas LP están diseñadas para que se usen con un tanque de gas propano líquido de 9.1 kg (20 lb) estándar, que no está incluido con la parrilla. **Nunca** conecte su parrilla de gas a un tanque de gas propano líquido que supere esta capacidad.

⚠ ADVERTENCIA

No instale este dispositivo de cocción a gas para espacios abiertos dentro o sobre barcos. Y otros vehículos recreacionales.

⚠ ADVERTENCIA

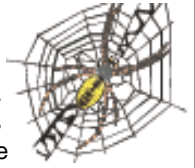
No intente encender este dispositivo sin antes leer la sección "INSTRUCCIONES DE ENCENDIDO" en el presente manual.

El consumo total de gas (por hora) de esta parrilla de acero inoxidable con todos los mecheros en posición alta:

Quemador principal	2 x 14,000 BTU/hr.
Total	28,000 BTU/hr.

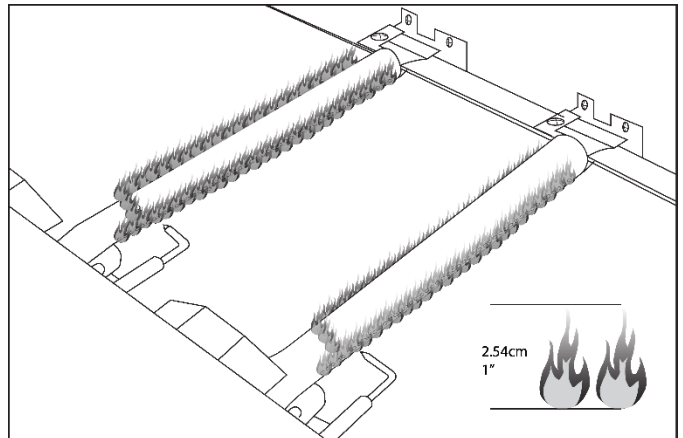
PRECAUCIÓN: Tenga cuidado con los fogonazos

PRECAUCIÓN: Las arañas e insectos pequeños pueden ocasionalmente tejer telillas o hacer nidos en los tubos de los mecheros de la parrilla durante el transporte o mientras están en el depósito. Estas telillas pueden causar obstrucciones en el flujo de gas, que podrían hacer que se quemaran los tubos de los mecheros y las áreas circundantes. Esta clase de fuego se denomina "FOGONAZO" y puede provocar daños serios en la parrilla y crear una condición de operación insegura para el usuario.



Aunque el tubo de un mechero obstruido no es la única causa para que se genere un "FOGONAZO", es la más común.

A fin de minimizar las probabilidades de que ello ocurra, usted debe limpiar los tubos de los mecheros antes de armar la parrilla y luego por lo menos una vez al mes hacia el final del verano o a principios del otoño que es cuando las arañas tienen mayor actividad. Asimismo realice este procedimiento de limpieza si usted no ha usado la parrilla durante un tiempo prolongado. Un tubo obstruido puede ocasionar un incendio debajo de la parrilla.



Controle en forma visual las llamas de los mecheros antes de cada uso. Las llamas deben verse como en la foto. Si no se ven así, diríjase a la parte de mantenimiento de los mecheros en este manual.

NOTA: El flujo normal de gas que va por el ensamble del regulador y la manguera puede causar un zumbido. Un volumen bajo de ruido es perfectamente normal y no interferirá con la operación de la parrilla. Si el zumbido es fuerte y excesivo, es posible que deba purgar el aire de la línea de gas o reajustar el dispositivo de flujo de gas en exceso del regulador. Este procedimiento de purga debe hacerse cada vez que se conecte un nuevo tanque de gas LP a la parrilla.

PRÁCTICAS DE SEGURIDAD PARA EVITAR LESIONES PERSONALES

Mientras se la utilice con el cuidado debido, la parrilla le brindará un servicio seguro y confiable durante años. Sin embargo, debe tenerse extremo cuidado ya que la parrilla produce grandes temperaturas que pueden aumentar las posibilidades de que ocurra un accidente. Al utilizar este dispositivo, se deben seguir ciertas prácticas de seguridad básicas entre las que se encuentran:

- No repare o reemplace ninguna parte de la parrilla a menos que se recomiende lo contrario en el presente manual. Todos los demás servicios de mantenimiento los debe realizar un técnico capacitado.
- Esta parrilla no debe instalarse en o sobre vehículos o barcos recreacionales.
- No se debe dejar a los niños solos o descuidados en el área en la que se está utilizando la parrilla. Jamás les permita sentarse, pararse o jugar en o cerca de la parrilla.
- No guarde artículos que pudieran interesarle a los niños cerca o debajo de la parrilla.
- No permita que telas, agarraderas o cualquier otro material inflamable entren en contacto o estén muy cerca de la armadura, un mechero o superficie caliente hasta que se haya enfriado. La tela podría prenderse fuego y ocasionar lesiones físicas.
- Para su seguridad personal, utilice vestimenta adecuada. No debe utilizar prendas sueltas ni con mangas cuando utiliza el dispositivo. Algunas telas sintéticas son muy inflamables y por lo tanto, sería apropiado que quien cocina no vista este tipo de prendas.
- Sólo algunos tipos de vidrio, vidrios cerámicos resistentes al calor, vajilla de barro cocido u otros utensilios vidriados son aptos para utilizarse en la parrilla. Estos materiales podrían romperse con los cambios bruscos de temperatura. Utilícelos sólo con temperaturas bajas o medias, de acuerdo con las pautas del fabricante.
- No caliente envases de comida cerrados. Una acumulación de presión podría hacer que el envase explote.
- Cuando abra la tapa de la parrilla, utilice un guante.
- Jamás se incline sobre la parrilla cuando ésta esté abierta.
- Cuando esté encendiendo un mechero, preste atención a lo que está haciendo. Asegúrese de saber qué mechero está encendiendo para así mantener su cuerpo y ropas alejados de las llamas encendidas.
- Cuando utilice la parrilla, no toque la rejilla de la parrilla, la armadura de los mecheros o las áreas circundantes ya que estas alcanzan temperaturas elevadas y podrían provocarle quemaduras. Sólo utilice agarraderas secas. Las agarraderas húmedas o mojadas sobre superficies calientes podrían ocasionar quemaduras por vapor. No utilice toallas o telas gruesas para reemplazar las agarraderas. No permita que las agarraderas entren en contacto con las partes calientes de la rejilla de la parrilla.
- La grasa es inflamable. Antes de deshacerse de la grasa, déjela enfriar. No deje que se acumulen depósitos de grasa en la bandeja para grasa que se encuentra debajo del fogón de la parrilla. Limpie con frecuencia la bandeja para grasa
- Para que los mecheros se enciendan y funcionen correctamente, mantenga limpios los orificios de los mecheros. Es necesario limpiarlos con frecuencia para que su funcionamiento sea óptimo. Los mecheros sólo funcionarán en una posición y deben instalarse correctamente para que su funcionamiento sea seguro.
- Limpie la parrilla con cuidado. Para evitar quemaduras por vapor, no utilice una esponja o tela húmedas para limpiar la parrilla cuando esté caliente. Algunos artículos de limpieza producen gases tóxicos o pueden prenderse fuego si se los utiliza sobre superficies calientes.
- Apague los controles de la parrilla y asegúrese de que la parrilla esté fría antes de aplicar algún limpiador en aerosol sobre o cerca de la parrilla. El químico que se produce cuando se pulveriza, podría, ante la presencia de calor, causar un incendio o corroer las partes metálicas.
- No utilice la parrilla para cocinar carnes con mucha grasa u otros productos que pudieran ocasionar llamaradas.
- No utilice la parrilla debajo de construcciones combustibles no protegidas. Utilícela solo en áreas bien ventiladas. No la utilice en edificios, garajes, galpones, galerías u otras áreas cerradas.
- Mantenga el área de alrededor de la parrilla libre de materiales combustibles como fluidos, desechos, y vapores tales como fluidos de encendido de gasolina o carbón. No obstruya el flujo de combustión y del aire de la ventilación.

NUNCA CONECTE AL DISPOSITIVO UNA TUBERÍA DE SUMINISTRO DE GAS SIN REGULAR. USE EL ENSAMBLE DE REGULADOR/MANGUERA SUMINISTRADO.

ADVERTENCIA

Tenga una botella con una mezcla de agua y jabón cerca de la válvula de suministro de gas y controle las conexiones antes de cada uso.

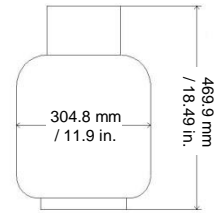
NO UTILICE PAPEL DE ALUMINIO PARA REVESTIR LAS REJILLAS DE LA PARRILLA NI LA PARTE INFERIOR DE ESTA.

Esto podría alterar el flujo de aire para la combustión o retener demasiado calor en el área de control.

UBICACIÓN Y ESPACIO LIBRE APROPIADO PARA LA PARRILLA

- Nunca use la parrilla de gas en un garaje, entrada, cobertizo, corredor o cualquier otro lugar cerrado. La parrilla a gas es para uso exclusivo en lugares abiertos. No instale esta unidad en recintos combustibles. Los laterales y la parte trasera de la unidad deben estar a una distancia mínima de construcciones combustibles: 92cm / 36.0 pulgadas en los laterales y 92 cm / 36.0 pulgadas la parte trasera.
- **NO** instale esta unidad en recintos combustibles elevados. No instale este dispositivo de cocción a gas para espacios abiertos dentro o en vehículos y/o barcos recreacionales. Los tanques de gas LP deben guardarse en espacios abiertos, en áreas bien ventiladas y fuera del alcance de los niños. No deben guardarse los tanques de gas LP desconectados en viviendas, garajes o en cualquier otro tipo de lugar cerrado.
- No obstruya el flujo de aire de la ventilación que se encuentra en la carcasa de la parrilla a gas. Sólo use el ensamble del regulador y la manguera que vienen con su parrilla a gas. Los ensambles de los reguladores y de la manguera de reemplazo deben ser los que se especifican en este manual.
- El ensamble del regulador y la manguera deben inspeccionarse con anterioridad cada vez que utilice la parrilla. En caso de que exista abrasión o desgaste excesivo o si la manguera está cortada, esta debe reemplazarse antes de utilizar la parrilla. El ensamble de la manguera reemplazada debe ser el que indica el fabricante.
- Deben utilizarse el regulador de presión y el ensamble de la manguera que vienen con el dispositivo de cocción a gas para espacios abiertos. Jamás utilice otros tipos de reguladores. Póngase en contacto con el servicio al cliente para solicitar al fabricante piezas de repuesto específicas.
- Este dispositivo de cocción a gas para espacios abiertos está equipado con un regulador de presión que cumple con los estándares de las válvulas reguladoras de presión para gas LP ANSI/UL 144.
- No use ningún tipo de briquetas en la parrilla.
- La parrilla está diseñada para funcionar correctamente sin la utilización de briquetas. No coloque briquetas en la parte radiante ya que esto bloqueará el área por la que se ventilan los mecheros de la parrilla. El agregado de briquetas pueden dañar los componentes y las perillas de encendido y dejará sin efecto la garantía.
- Mantenga los laterales y la parte trasera del carro libre y limpia de desechos. Mantenga cualquier cable de electricidad, o el cable del motor del asador alejado de las áreas calientes de la parrilla.
- Jamás utilice la parrilla cuando las condiciones climáticas sean muy ventosas. En caso de utilizarla en un área de viento constante (frente al mar, cima de una montaña, etc.) necesitará utilizar un protector contra el viento. Siempre mantenga el espacio libre circundante adecuado.
- Jamás utilice un tanque de propano abollado u oxidado.
- Mantenga todos los cables con electricidad y la manguera de combustible alejadas de superficies calientes.
- Mientras la enciende, mantenga su rostro y manos lo más alejadas posibles de la parrilla.
- Cualquier ajuste a los mecheros debe realizarse una vez que estos se han enfriado.

Sistema de suministro de gas LP



- El incumplimiento de la información brindada podría ocasionar un incendio que provoque la muerte o lesiones graves.
- Un tanque de 9.1 kg (20 libras) de 304.8 mm / 11.9 pulgadas de diámetro, 469.9 mm / 18.49 pulgadas de alto aproximadamente es el tamaño máximo del tanque de gas LP para usar en la parrilla.
- El cilindro de suministro de gas LP debe estar construido y comercializado según lo dispuesto para los cilindros de gas LP del Departamento de Transporte de los Estados Unidos de América (DOT por sus siglas en inglés) o según los Estándares Nacionales de Canadá, CAN/CSA-B339, Cilindros, Esferas y Tubos para el Transporte de Artículos y Comisiones peligrosos.
- El tanque de gas propano líquido debe tener una válvula de cierre con una terminal en una válvula de salida de LP que sea compatible con un tipo 1. El cilindro de suministro de gas propano líquido debe tener una válvula de cierre con una terminal en una válvula de salida específica para conexiones tipo QCC1 según los estándares para salidas de válvulas de los cilindros para gas comprimido y las conexiones de entrada ANSI/CGA-V-1, según corresponda. El cilindro de suministro de gas propano líquido debe estar equipado con un Dispositivo de Prevención de Sobrecarga. El tanque de gas propano líquido también debe contar con un dispositivo de escape de seguridad que tenga una conexión directa con el espacio de vapor del tanque. Esta característica de seguridad impide que el tanque se llene en exceso, lo que puede causar un mal funcionamiento del tanque de gas LP, el regulador y / o la parrilla.
- El sistema de suministro del tanque debe estar adaptado para la salida de vapores.
- El tanque de gas LP debe tener un collarín que proteja la válvula del tanque.
- Coloque la tapa anti-polvo sobre la salida de la válvula del cilindro siempre que el mismo no esté en uso. Instale sólo el tipo de tapa anti-polvo sobre la salida de la válvula del cilindro que viene con la mencionada válvula. Otros tipos de tapas o tapones pueden causar fugas de propano.
- Jamás conecte un tanque de gas LP sin regular a la parrilla a gas.
- El dispositivo de cocción a gas para espacios abiertos está equipado con una manguera/regulador de alta capacidad para que se lo conecte a un cilindro de propano líquido estándar de 9.07 kg (20lb.) Cilindro de propano líquido.
- Haga llenar su tanque de gas LP por un distribuidor de gas propano autorizado y que éste realice una inspección ocular y lo deje en condiciones cada vez que llene el tanque.
- No guarde un cilindro de gas LP de repuesto debajo de o cerca de este dispositivo.
- Al llenar el cilindro, jamás supere el 80 por ciento de su capacidad.
- Siempre mantenga los tanques de gas LP en posición vertical.
- No almacene ni use combustible u otros vapores o líquidos inflamables en las cercanías de este o cualquier otro dispositivo.
- Podrá guardar el dispositivo de cocción a gas para espacios abiertos en un lugar cerrado sólo si desconecta el cilindro y lo quita del dispositivo.
- Cuando su parrilla a gas no esté en uso, se debe cerrar el paso de gas en el tanque de gas LP.

⚠ ADVERTENCIA

Su parrilla llegará a tener una temperatura muy elevada. Nunca se incline sobre el área de cocción mientras use la parrilla. No toque las superficies de cocción, la carcasa de la parrilla, la tapa o cualquier otra pieza de la parrilla mientras ésta esté operando o hasta que la parrilla de gas se haya enfriado luego de usarla.

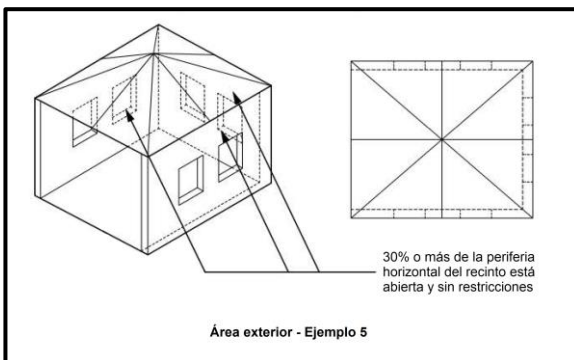
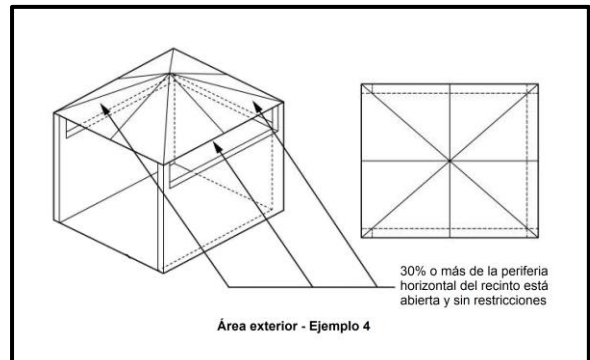
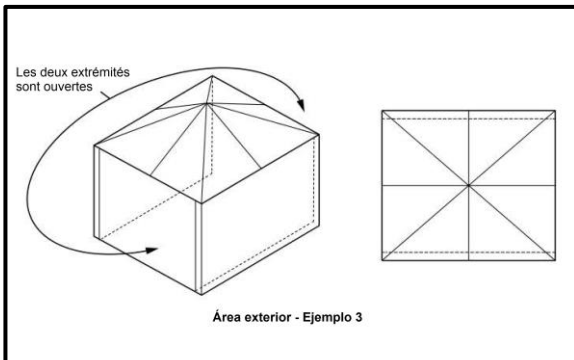
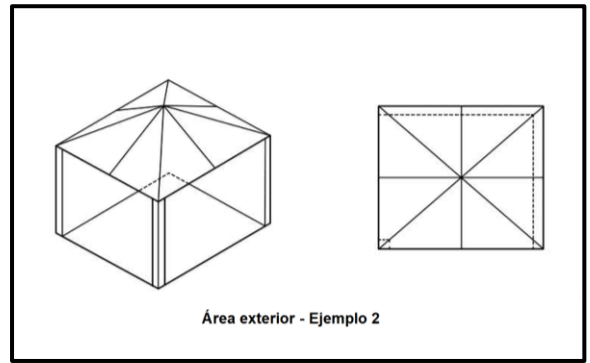
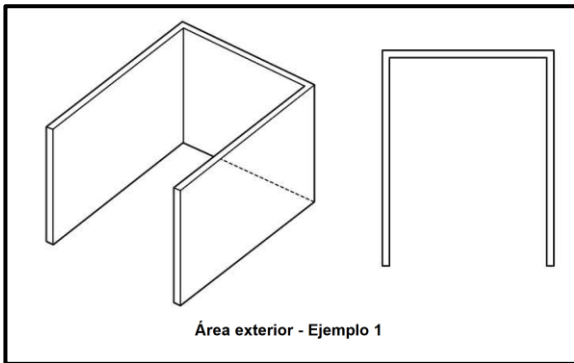
El incumplimiento de estas instrucciones puede dar como resultado lesiones corporales graves.

Ésta es una parrilla diseñada para utilizarse con propano líquido. No intente usar un suministro de gas natural a menos que la parrilla haya sido diseñada para su uso con gas natural.

Representación esquemática de "áreas al aire libre"

Este aparato solo se utilizará en una situación de aire libre sobre el suelo con ventilación natural, sin zonas estancadas, donde las fugas de gas y los productos de la combustión se dispersen rápidamente por el viento y la convección natural.

1. Se considera que un aparato está al aire libre si se instala con un refugio no más inclusivo que con paredes en tres lados, pero sin cubierta superior; todas las aberturas deben estar permanentemente abiertas; Las puertas correderas, puertas de garaje, ventanas o aberturas con mosquitero no se consideran aberturas permanentes.
2. Se considera que un electrodoméstico está al aire libre si se instala con un refugio no más inclusivo que dentro de un cierre parcial que incluye una cubierta superior y no más de dos paredes laterales. Las paredes laterales pueden ser paralelas, como en una pasarela, o en ángulo recto entre sí; Todas las aberturas no se consideran aberturas permanentes
3. Se considera que un aparato está al aire libre si se instala con un refugio no más inclusivo que en un recinto parcial que incluye una cubierta superior y tres paredes laterales, siempre que el 30% o más de la periferia horizontal del recinto esté permanentemente abierta. Todas las aberturas deben estar permanentemente abiertas; Las puertas correderas, puertas de garaje, ventanas o aberturas con mosquitero no se consideran aberturas permanentes.



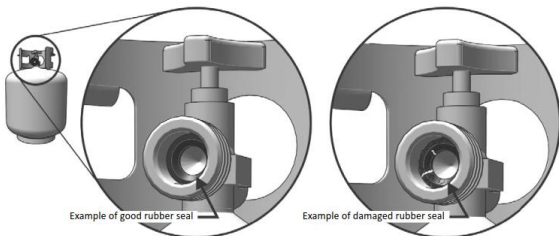
REQUISITOS DEL TANQUE DE PROPANO LÍQUIDO

Un tanque de propano líquido abollado u oxidado puede resultar peligroso y su proveedor de LP debe controlarlo. Nunca use un cilindro con una válvula dañada. El cilindro de gas propano líquido debe estar construido y marcado según las especificaciones para los cilindros de gas LP del Departamento de Transporte, de los EE.UU. (DOT) o según los Estándares Nacionales de Canadá, CAN/CSA-B339, Cilindros, Esferas y Tubos para el Transporte de Artículos Peligrosos; y Comisión, según corresponda. Debe haber un dispositivo de prevención de sobrecarga (OPD) en el cilindro y la conexión QCC1 de la válvula del cilindro, ANSI/CGA-V-1. El sistema de suministro del cilindro debe estar adaptado para la salida de vapores. El cilindro debe incluir un collarín para proteger la válvula del cilindro. El cilindro debe estar equipado con una válvula de cierre con una terminal en una válvula de salida del cilindro de suministro de gas propano líquido compatible, según corresponda, para el tipo de conexión QCC1 en el estándar para salidas de válvulas de los cilindros de gas comprimido y las conexiones de entrada ANSI/CGA-V-1.

Presión del colector: 11 pulgadas columna de agua (c.d.a).

INSPECCIÓN DEL SELLO DE GOMA DEL TANQUE

1. El elemento de sellado de la cara elastomérica de la cara del cilindro en estos dispositivos podría, con el tiempo, mostrar daños o deterioros marcados y visibles que podrían causar una fuga incluso con la conexión apretada.
2. La inspección visual del sello debe llevarse a cabo cada vez que se reemplace o rellene una bombona de gas LP.
3. El cilindro de gas LP que muestre signos de daño o deterioro, incluidas grietas visibles y picaduras, debe devolverse sin usar al vendedor.



El cilindro debe montarse de tal manera que la salida del valor de alivio de presión no esté orientada hacia la posición normal de funcionamiento del usuario.

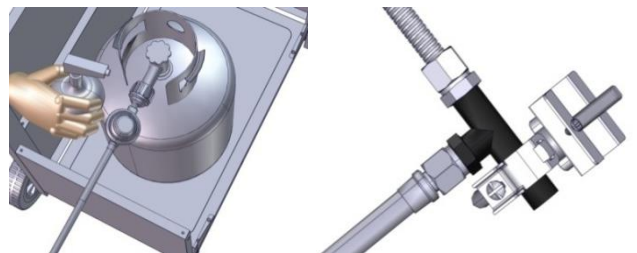
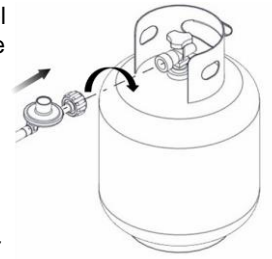
INSTALACIÓN DEL GAS LP

Asegúrese de que las arandelas aislantes de plástico negro en la válvula del cilindro de propano líquido se encuentren en su lugar y que la manguera no entre en contacto con la bandeja para grasa o con la parte superior de la parrilla.

CONEXIÓN

Su parrilla de acero inoxidable está equipada con orificios de suministro de gas para usar únicamente con gas propano líquido. Además, está equipada con una manguera/regularador de alta capacidad para que se lo conecte a un cilindro estándar de propano líquido de 9.1 kg (20 lb) (469.9 mm / 18.49 pulgadas de alto por 304.8 mm / 11.9 pulgadas de diámetro). Para conectar el cilindro de suministro de gas LP, siga los siguientes pasos a continuación:

1. Asegúrese de que la válvula del tanque está en total posición de apagado (gírela en sentido de las agujas del reloj para cerrarla).
2. Verifique la válvula del tanque para asegurarse de que tiene las roscas macho externas adecuadas (conexión tipo 1 por ANSIZ21.81).
3. Asegúrese de que todas las válvulas de los mecheros estén en posición de apagado (OFF).
4. Revise las conexiones de las válvulas, los puertos y el ensamble del regulador. Observe si hay daños o residuos. Quite cualquier tipo de desechos. Observe bien la manguera para detectar daños. Jamás intente utilizar equipamiento dañado u obstruido. Póngase en contacto con su proveedor local de gas LP para solicitar reparaciones.
5. Cuando conecte el ensamble del regulador a la válvula, ajuste en forma manual, y en sentido de las agujas del reloj, la tuerca de acoplado rápido hasta cerrarla por completo. No utilice una llave de tuercas para ajustarla. Si utiliza una llave de tuercas, esto podría dañar la tuerca de acoplado rápido y generar una situación peligrosa.
6. Abra la válvula del tanque por completo (en sentido contrario de las agujas del reloj) Aplique la solución jabonosa con un cepillo limpio en todas las conexiones de gas. Observe a continuación. Si aparecen formaciones de burbujas en la solución, las conexiones no están selladas apropiadamente. Verifique cada conexión y ajústelas o repárelas según sea necesario.
7. Si tiene una fuga en la conexión de gas que no pueda reparar, cierre el paso de gas (OFF) en el tanque de suministro, desconecte la línea de combustible de la parrilla y llame al 1-800-913-8999, Idiomas hablados: Inglés, Francés, y Español de 8 a.m.-5 p.m., PST. Lunes –Viernes o a su proveedor de servicios de gas para que lo asista en la reparación.
8. Asimismo, aplique la solución jabonosa en las juntas del tanque. Observe a continuación. Si aparecen formaciones de burbujas, cierre el tanque (OFF) y no lo use ni lo mueva. Contacte al proveedor especialista en gas LP o al departamento de bomberos de su localidad para obtener asistencia.



Para desconectar el cilindro de gas LP:

1. Cierre las válvulas de los mecheros.
2. Cierre por completo la válvula del tanque (gírela en sentido de las agujas del reloj para cerrarla).
3. Desprenda el ensamble del regulador de la válvula del tanque girando la tuerca de acoplado rápido en sentido contrario de las agujas del reloj.

GENERAL

A pesar de que en la fábrica se verifican todas las conexiones de gas de la parrilla antes de despacharla, se debe llevar a cabo otro control de las instalaciones de gas en el lugar donde se vaya a instalar el dispositivo, ya que durante el envío la unidad puede haber sufrido algún maltrato o se le puede haber aplicado demasiada presión sin darse cuenta. Revisar periódicamente todo el sistema para detectar fugas siguiendo los procedimientos descriptos a continuación. Si detecta olor a gas en cualquier momento debe revisar todo el sistema de inmediato para detectar posibles fugas.

ANTES DE REALIZAR LAS PRUEBAS

Asegúrese de retirar todo el material de empaque de la parrilla, incluso las correas utilizadas para atar.

**NO FUME MIENTRAS BUSCA FUGAS DE GAS.
NUNCA BUSQUE FUGAS DE GAS CUANDO HAYA UNA LLAMA ENCENDIDA .**

Haga una solución de jabón: mitad de detergente líquido y mitad de agua. Necesitará una botella rociadora, un cepillo o un trapo para aplicar la solución sobre los accesorios. Para la prueba inicial, asegúrese de que el cilindro de LP esté lleno en un 80%.

PARA HACER LA PRUEBA

1. Asegúrese que las válvulas de control estén apagadas y abra el suministro de gas.
2. Verifique todas las conexiones del regulador de gas LP y de la válvula de suministro, incluso la conexión al ensamble de la tubería del colector (la tubería que va hacia los mecheros). En caso de que haya alguna fuga, aparecerán burbujas de jabón.
3. En caso de que haya una fuga, cierre el suministro de gas de inmediato y ajuste los accesorios que tengan pérdidas.
4. Vuelva a encender el gas y verifique nuevamente.
5. En caso de que alguno de los accesorios siga teniendo pérdidas, cierre el suministro de gas y póngase en contacto con el servicio al cliente al 1-800-913-8999. Idiomas hablados: Ingles, Frances, y Español de 8 a.m.-5 p.m., PST. Lunes –Viernes.



Sólo deben utilizarse en la parrilla aquellas partes que recomienda el fabricante.

El reemplazo de cualquier parte dejará sin efecto la garantía. No utilice la parrilla hasta no haber verificado todas las conexiones y que éstas no pierdan.

CONTROL DEL FLUJO DE GAS

Cada mechero de la parrilla se controla y ajusta en la fábrica antes de despacharlo. Sin embargo, puede que sea necesario ajustar los mecheros debido a variaciones en los suministros de gas locales. Las llamas de los mecheros deben verificarse visualmente.

Las llamas deben ser azules y estables y las puntas no deben ser amarillas. Tampoco deben producir ruido en exceso ni levantarse. En caso de presentarse alguno de estos cuadros, compruebe que los obturadores de aire o los puertos de los mecheros no estén obstruidos con suciedad, desechos, telas de araña, etc. Si tiene alguna duda respecto de la estabilidad de las llamas, póngase en contacto con el servicio al cliente al 1-800-913-8999. Idiomas hablados: Ingles, Frances, y Español de 8 a.m. - 5 p.m., PST. Lunes –Viernes.

LUEGO DE CAMBIAR UN TANQUE LP, SIEMPRE DEBE VERIFICAR QUE NO HAYA FUGAS.

Antes de utilizar la parrilla, verifique todos los accesorios de suministro de gas para buscar posibles fugas. Se aconseja tener un rociador con agua con jabón cerca de la válvula de cierre de la tubería de suministro de gas. Rocíe todos los accesorios. Si aparecen burbujas, esto indicará que hay fugas.

Lista final de control para el instalador

- ✓ Los laterales y la parte trasera de la unidad están a una distancia mínima de construcciones combustibles de 92cm / 36 pulgadas en los laterales y 92cm / 36 pulgadas en la parte trasera
- ✓ Se han eliminado todos los embalajes internos
- ✓ Las perillas giran con libertad
- ✓ Los mecheros están ajustados y se encuentran sobre los orificios
- ✓ El regulador de presión está conectado y ajustado
Las conexiones de gas de la parrilla utilizan la manguera y el regulador de ensamble provistos (pre ajustados para c.d.a. de 11.0 pulgadas)
- ✓ Unidad verificada y sin fugas
- ✓ Se le indica al usuario dónde se encuentra la válvula de cierre del suministro de gas

EL USUARIO DEBE CONSERVAR EL PRESENTE MANUAL PARA REALIZAR FUTURAS CONSULTAS

ADVERTENCIAS SOBRE EL CILINDRO DE PROPANO

- a) No guarde un cilindro de gas LP de repuesto debajo de o cerca de este dispositivo
- b) Al llenar el cilindro, JAMÁS supere el 80 por ciento de su capacidad
- c) Si no se cumplen con las instrucciones en "a" y en "b", podría ocurrir un incendio o explosión que provoque la muerte o lesiones graves

USO GENERAL DE LA PARRILLA Y EL ASADOR

Cada mechero principal tiene una tolerancia de 14,000 BTU/hr. Los mecheros principales de la parrilla comprenden toda el área de cocción y cuentan con un puerto lateral para minimizar el bloqueo causado por la caída de grasa y residuos. Las perillas de encendido están ubicadas en la parte inferior del panel de válvulas. Cada encendedor rotatorio está rotulado en el panel de control.

Esta parrilla fue diseñada para asar correctamente sin la necesidad de utilizar rocas volcánicas o briquetas de ningún tipo. Los domadores de llamas que se encuentran sobre cada uno de los mecheros son los que irradian el calor.

Temperatura ambiente mínima de funcionamiento:
0 °F, (-17.8 °C)

NO DESCUIDE LA PARRILLA DURANTE LA COCCIÓN.

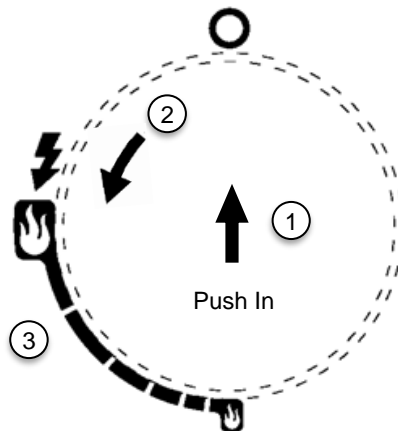
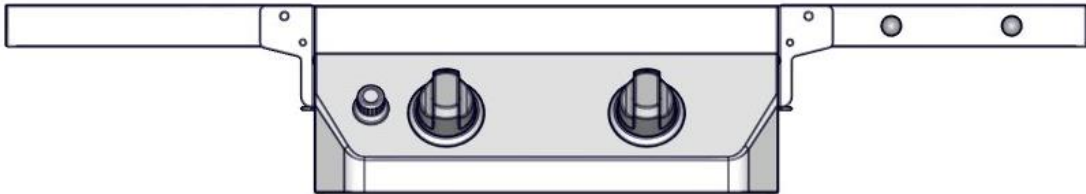
CÓMO UTILIZAR LA PARRILLA

Para asar algo es necesario tener altas temperaturas para que el fuego sea abrazador y la comida se dore correctamente. La mayoría de los alimentos se cocinan en la posición alta durante todo el tiempo de cocción. Sin embargo, cuando se asan piezas grandes de carne o aves, puede que sea necesario bajar el calor a la temperatura mínima una vez que el alimento ya se doró. Este procedimiento cocina la comida por dentro sin quemar la parte externa. Los alimentos que requieren un largo tiempo de cocción o aquellos que se rocían con algún adobo dulce, pueden necesitar una temperatura menor una vez que ya están casi listos.

NOTA: Cuando la parrilla está caliente, la comida se dora rápidamente y los jugos quedan dentro de esta. Cuanto más se precaliente la parrilla, más rápido se dorará la carne y las marcas de la parrilla serán más oscuras.

Panel de control

Nota: Retire todo el envoltorio, incluso las correas, antes de usar la parrilla



Etiqueta de la perilla de control

Instrucciones de encendido de la parrilla

⚠ ADVERTENCIA: ¡IMPORTANTE!

ANTES DE ENCENDERLA

Inspeccione la tubería de suministro de gas antes de encenderla. Si hay signos de cortes, desgaste o abrasión, debe reemplazarse antes del uso. No use la parrilla si hay un olor a gas. Sólo se debe utilizar el regulador de presión y la manguera suministrada con la unidad. Nunca sustituya un conjunto de regulador y manguera por los suministrados con la parrilla. Si es necesario reemplazarlo, comuníquese con el fabricante para obtener un reemplazo adecuado. El reemplazo debe ser el especificado en el manual.

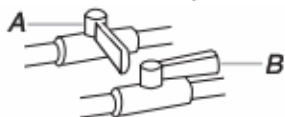
⚠ ADVERTENCIA

Siempre mantenga su rostro y su cuerpo tan alejado como pueda del mechero al encenderlo.

ENCENDIDO DEL MECHERO PRINCIPAL/LATERAL

Asegúrese de que todas las perillas estén en la posición "O" y luego encienda el suministro de gas del tanque de propano líquido. Cuando encienda la parrilla, siempre mantenga su rostro y su cuerpo tan alejado como pueda de ésta.

Para los asadores de exteriores que usan una fuente de suministro de gas diferente del tanque de gas LP de 9.07 kg / 20 lb, abra la válvula de cierre manual de la línea de suministro de gas. La válvula está abierta cuando la manija está paralela al tubo de gas.



A. Válvula cerrada
B. Válvula abierta

Empuje y gire la perilla de control del quemador principal a la posición "⚡", al mismo tiempo, mantenga pulsado el botón de encendido electrónico para encender el quemador. Una vez encendido, suelte el botón de encendido electrónico y la perilla. Si el mechero no enciende, espere 5 minutos para que se disipe el gas en exceso e intente nuevamente.

Tenga una botella con una mezcla de agua y jabón cerca de la válvula de suministro de gas y controle las conexiones antes de cada uso.

No intente encender la parrilla si hubiera olor a gas. Para obtener asistencia comuníquese al 1-800-913-8999. Idiomas hablados: Inglés, Francés, y Español de 8 a.m.-5 p.m., PST. Lunes -Viernes.

Cada mechero se ajusta antes de despachar la parrilla. Sin embargo, debido a que los suministros de gas locales varían, puede ser necesario realizar algunos ajustes menores.

PRECAUCIONES

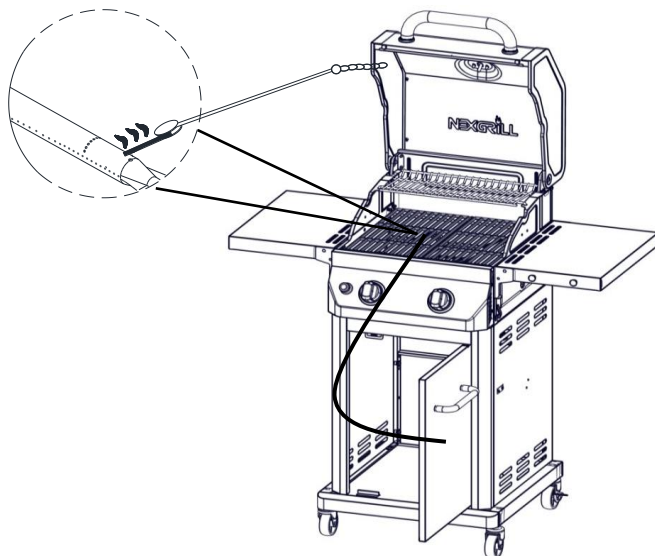
Coloque la tapa anti-polvo sobre la salida de la válvula del cilindro siempre que el mismo no esté en uso. Instale sólo el tipo de tapa anti-polvo sobre la salida de la válvula del cilindro que viene con la mencionada válvula. Otros tipos de tapas o tapones pueden causar fugas de propano.

Debe cerrar el paso de gas desde el cilindro de suministro cuando no esté utilizando el dispositivo.

Si guarda la unidad en un espacio cerrado, debe desconectar y quitar el cilindro. Los cilindros deben guardarse en espacios abiertos, en áreas bien ventiladas y fuera del alcance de los niños.

Encendido con un cerillo

1. Si el mechero no se enciende después de varios intentos, entonces puede encender el mechero con un cerillo; antes de utilizar el cerillo, deje pasar 5 minutos para que se disipe el gas acumulado.
2. Clip un partido en un extremo de la varilla de iluminación.
3. Encendido con un cerillo.
4. Sostenga la varilla de encendido e inserte el cerillo encendido junto a los puertos del mechero o la pieza de cerámica.
5. Presione y gire la perilla de control que corresponda a la posición de "⚡".
6. El mechero debe encenderse de inmediato.



ACERO INOXIDABLE

Hay diversas clases de limpiadores de acero inoxidable que se pueden utilizar. Siempre aplique primero el procedimiento de limpieza más suave, y limpie en la dirección de la mancha. No utilice lana de acero dado que rayará la superficie. Para retocar los rayones visibles en el acero inoxidable, lijar muy suavemente con papel de esmeril seco de grano n° 100 en la dirección de la mancha. Pueden juntarse manchas de grasa en la superficie del acero inoxidable y parecerá que la parrilla está oxidada. Para quitarlas, utilice una almohadilla abrasiva suave junto con un limpiador para acero inoxidable.

ARMADURA DE LA PARRILLA

La manera más fácil de limpiar la parrilla es hacerlo apenas terminó la cocción y se apagó la llama. Utilice un guante para proteger su mano del calor y el vapor. Sumerja en agua un cepillo con cerdas de bronce y refriegue la parrilla caliente. Sumerja el cepillo en el envase con agua de manera frecuente. El vapor que se crea cuando el agua entra en contacto con la superficie caliente ayuda al proceso de limpieza ya que ablanda las partículas de comida. Si deja que la parrilla se enfríe antes de limpiarla, será más difícil limpiarla.

ASEGÚRESE DE QUE EL SUMINISTRO DE GAS Y LAS PERILLAS ESTÉN EN LA POSICIÓN "O". ASEGÚRESE DE QUE EL MECHERO SUPERIOR ESTÉ FRÍO ANTES DE QUITARLO.

MECHEROS DE LA PARRILLA

Debe tener extremo cuidado cuando mueva un mechero ya que debe estar centrado correctamente en el orificio antes de que intente volver a encender la parrilla. La frecuencia de limpieza dependerá de cuán a menudo utilice la parrilla.

LIMPIEZA DEL MECHERO PRINCIPAL DE LA PARRILLA

Asegúrese de que el suministro de gas esté apagado y que las perillas estén en la posición "O". Asegúrese de que la parrilla esté fría. Limpie la parte externa del mechero con un cepillo de alambre. Quite el óxido difícil de sacar con una espátula de metal. Limpie los puertos obstruidos con un clip estirado. Jamás utilice un palillo de madera ya que podría romperse y obstruir el puerto. Controle que ningún insecto u otro tipo de obstrucción interfieran en el flujo de gas a través del mechero. En caso de ser así, póngase en contacto con la línea de servicio al cliente al 1-800-913-8999. Idiomas hablados: Inglés, Francés, y Español de 8 a.m.-5 p.m., PST. Lunes -Viernes.

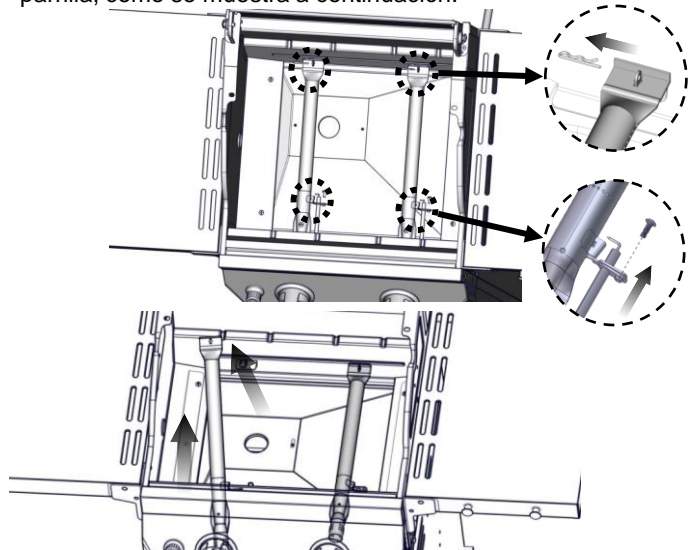
LIMPIEZA DE LA BANDEJA PARA GRASA

La bandeja para grasa debe vaciarse, secarse en forma periódica y lavarse con una solución hecha con detergente suave y agua tibia. Se puede colocar una pequeña cantidad de arena en la parte inferior de la bandeja para grasa a fin de que la absorba. Verifique con frecuencia la bandeja para grasa, no permita que se acumule grasa en exceso ni que haya desbordes en dicha bandeja.

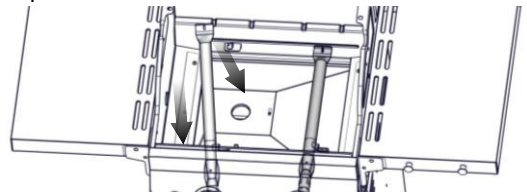
Advertencia: Si desea reemplazar el mechero principal, recomendamos que contrate un técnico profesional para hacerlo. Tenga en cuenta que no nos haremos responsables en caso de obligación, lesión física o daño al bien como consecuencia de un mechero armado de manera incorrecta.

CÓMO REEMPLAZAR EL QUEMADOR PRINCIPAL

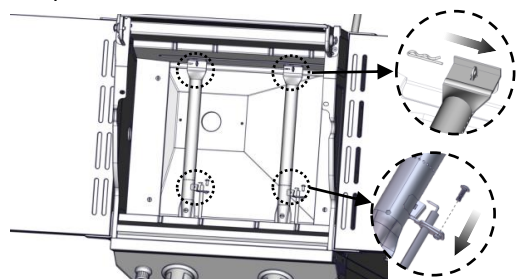
Paso 1. Retire el tornillo y el pasador "R" que sujetan el quemador en su lugar. Retire el quemador de gas de la parrilla, como se muestra a continuación.



Paso 2. Inserte el quemador en el orificio y asegure la cubierta del pasador del quemador en el quemador, como se muestra a continuación. Asegúrese de que el orificio del quemador apunte al orificio.



Paso 3. Asegure el quemador principal en la parte trasera de la cámara de combustión con el pasador "R". Instale el pasador del quemador con un destornillador.



PRECAUCION

1. Mantenga despejada y sin materiales combustibles, gasolina y demás vapores y líquidos inflamables el área donde se encuentra el dispositivo de cocción a gas para exteriores.
2. No obstruya el flujo de combustible y del aire de la ventilación.
3. Mantenga las aberturas de ventilación del cilindro libre y despejada de residuos.

ADVERTENCIA SOBRE ARAÑAS E INSECTOS

Inspeccione y limpie los mecheros / tubos de Venturi en caso de que haya insectos o nidos de insectos. Un tubo obstruido puede ocasionar un incendio debajo de la parrilla.

"FOGONAZO" y puede causar graves daños a la parrilla y generar condiciones de operación riesgosas para el usuario.

Aunque el tubo de un mechero obstruido no es la única causa para que se genere un "FOGONAZO", es la más común.

A fin de minimizar las probabilidades de que ello ocurra, usted debe limpiar los tubos de los mecheros antes de armar la parrilla y luego por lo menos una vez al mes hacia el final del verano o a principios del otoño que es cuando las arañas tienen mayor actividad. Asimismo realice este procedimiento de limpieza si usted no ha usado la parrilla durante un tiempo prolongado.

CUÁNDO INSPECCIONAR EN BÚSQUEDA DE ARAÑAS

Debe inspeccionar los mecheros una vez al año o inmediatamente después de que ocurra cualquiera de las siguientes situaciones:

1. Olor a gas junto con llamas amarillas en los mecheros.
2. La parrilla no toma temperatura.
3. La parrilla no se calienta de manera uniforme.
4. Los mecheros hacen ruido como si reventaran.

ANTES DE LLAMAR AL SERVICIO

Si la parrilla no funciona adecuadamente, emplee la siguiente lista de verificación antes de llamar a su proveedor para solicitar servicios. Puede ahorrarse el costo de una llamada de servicio.

PRECALENTAMIENTO: La tapa de la parrilla debe estar cerrada mientras se precalienta la parrilla. Es necesario precalentar la parrilla antes de cocinar ciertos alimentos, según el tipo de alimento y la temperatura de cocción. Los alimentos que requieran una alta temperatura de cocción necesitarán un precalentamiento de cinco minutos; los alimentos que requieran una temperatura de cocción baja necesitarán un período de dos a tres minutos.

TEMPERATURAS DE COCCIÓN

Temperatura máxima: utilice esta posición para calentar rápidamente, para dorar bifés y costillas y para cocinar a las brasas.

Temperatura mínima: utilice esta posición cuando ase, hornee y cuando cocine cortes magros, tales como el pescado.

Estas temperaturas variarán según la temperatura en el ambiente y la cantidad de viento.

Cocción con calor indirecto: Puede cocinar aves y grandes trozos de carne a la perfección a fuego lento de un lado de la parrilla ya que le puede dar calor indirecto de uno de los mecheros del lado opuesto. El calor del mechero encendido circula a través de la parrilla y de este modo cocina la carne o el ave sin que lo toque ninguna llama directamente. Este método reduce muchísimo las llamaradas cuando se cocinan cortes muy grasosos ya que no hay ninguna llama directa que encienda las grasas y los jugos que caen durante la cocción.

PRECAUCIÓN: Si los mecheros se apagan mientras los está utilizando, cierre la fuente del suministro de gas y todas las válvulas de gas. Abra la tapa y espere cinco minutos antes de intentar volver a encenderlos. (Esto hará que los gases acumulados se disipen).

PRECAUCIÓN: En caso de que la grasa se prenda fuego, cierre la fuente del suministro de gas, cierre todos los mecheros y deje la tapa cerrada hasta que se apague el fuego.

PRECAUCIÓN: NO intente desconectar ningún accesorio de gas mientras la parrilla esté en funcionamiento. Al igual que con todos los dispositivos, el cuidado y mantenimiento adecuados harán que la unidad continúe funcionando correctamente y prolongará su vida útil. Esta parrilla a gas no es una excepción a esta regla.

PRECAUCIÓN: La tapa del mechero lateral se calentará si se utiliza con la tapa cerrada.

PROBLEMA	SOLUCIÓN
Cuando intento encender la parrilla, esta no enciende de inmediato.	Asegúrese de que haya chispa cuando intente encender el mechero (si no hay chispa) Asegúrese de que el cable está conectado al ensamble del electrodo. Compruebe si la batería está instalada correctamente. Limpie los cables y/o electrodos frotándolos con alcohol y un hisopo limpio. Séquelos con un trapo limpio. Verifique si los otros mecheros funcionan. De ser así, verifique si el orificio de gas del mechero que funciona mal tiene una obstrucción.
El mechero del asador no enciende al presionar el botón de encendido.	Verifique que no haya residuos que bloqueen el electrodo. Verifique que haya una chispa que salta al mechero desde el electrodo. Si no hay ninguna chispa visible, verifique la batería que se encuentra dentro de la caja del encendedor. Para abrir, gire en el sentido contrario al de las agujas del reloj ¿El mechero infrarrojo trasero enciende cuando intenta con un cerillo? De no ser así, verifique que el suministro de gas esté abierto.

PROBLEMA	SOLUCIÓN
El regulador hace ruido.	La manguera de ventilación en el regulador puede estar tapada o el regulador puede tener fallas. Asegúrese de que el orificio de ventilación en el regulador no esté obstruido. Limpie el orificio, cierre las válvulas de control de gas. Espere diez minutos y ábralas de nuevo. Verifique que las llamas funcionen correctamente. Si las llamas no son como deberían ser, cambie el regulador.
La funda no cubre toda la parrilla.	La funda puede no ser la adecuada para su parrilla. Puede que sea muy ajustada. Asegúrese de que la funda tenga el largo apropiado para su parrilla. Médala de izquierda a derecha. Compárela con la medida de la parrilla. Compare la ubicación y el tamaño de la campana de la funda con la parrilla. Abra la funda y déjela reposar preferentemente al sol o en una habitación cálida. Para las parrillas que tiene un estante lateral, arremangue a funda como una media y colóquela de izquierda a derecha.
La parrilla sólo calienta entre 93-149°C / 200-300°F.	Verifique si la manguera de combustible está doblada o torcida. Asegúrese de que el área de la parrilla no esté sucia. Asegúrese de que los quemadores y los orificios estén limpios. Verifique que no haya arañas ni insectos. El regulador tienen un dispositivo de seguridad que impide el flujo de gas en caso de que haya una fuga. El dispositivo de seguridad puede activarse sin que haya una fuga. Para resetear el dispositivo de seguridad, apague todos los mecheros y cierre la válvula del tanque LP. Desconecte el regulador del tanque LP y espere un minuto. Vuelva a conectar el regulador al tanque LP y abra lentamente la válvula del tanque LP hasta abrirla por completo. Encienda todos los mecheros y observe la temperatura.
La parrilla toma mucho tiempo para precalentarse.	La temperatura normal de precalentamiento es 260-316°C / 500-600°F y demora entre 10 y 15 min. Con temperaturas bajas o clima ventoso posiblemente el tiempo de precalentamiento sea mayor. Si utiliza rocas volcánicas o briquetas, estas pueden aumentar el tiempo de precalentamiento y la temperatura máxima.
Las llamas de los mecheros no son celestes.	Hay demasiado o poco aire para la llama. La altura es la causa principal. Sin embargo, el clima frío puede afectar la mezcla. Puede que sea necesario reajustar los mecheros. La parrilla está en un lugar con mucho viento.

Ordenar repuestos

CÓMO SOLICITAR PIEZAS DE REPUESTO

Para asegurarse de que recibe el / los repuesto(s) adecuado(s) para su parrilla a gas, consulte la lista de partes en las páginas 67. Es necesaria la siguiente información para asegurarse que obtenga el repuesto correcto. Tenga en cuenta que el costo de envío para la entrega de piezas de repuesto corre por su cuenta.

- Número de modelo de las parrillas a gas (ver la etiqueta de información en la parrilla).
- Es necesario saber el número de repuesto de la pieza solicitada.
- Es necesario hacer una descripción del repuesto que se necesita.

- Cantidad de partes que necesita.

Para obtener piezas de repuesto, comuníquese con la línea de Servicio de Atención al Cliente al 1-800-913-8999. Idiomas hablados: Inglés, Francés, y Español de 8 a.m.-5 p.m., PST. Lunes –Viernes.

IMPORTANTE

Sólo utilice repuestos autorizados de fábrica. Puede ser peligroso que utilice repuestos no autorizados de fábrica. Esto también dejará sin validez su garantía.

Conserve este manual de armado e instrucciones de uso para consultas futuras y para ordenar repuestos.

Nexgrill garantiza al consumidor/comprador original sólo que este producto (*Modelo N° 720-0864RH, 720-0864RK*) no debe tener defectos de fábrica ni de materiales luego de su correcto armado y bajo un uso doméstico normal y razonable durante el período indicado a continuación y a partir de la fecha de compra. El fabricante se reserva el derecho a solicitar pruebas fotográficas del daño, o la devolución de las partes defectuosas, para llevar a cabo una revisión y examen. El consumidor deberá enfrentar los gastos de envío y/o flete. La obligación del Megamaster se limita a la reparación, reemplazo o valor depreciado, a opción de Megamaster.

Mecheros: 5 años de garantía LIMITADA contra perforación

Rejillas, superficie de la parrilla y encendido electrónico: 1 años de garantía LIMITADA

* No cubre caídas, raspados, ralladuras o daño en la superficie

Partes de acero inoxidable: 1 años de garantía LIMITADA contra perforación

* No cubre cuestiones estéticas tales como corrosión, rayones u óxido en la superficie

Todas las demás partes: 1 años de garantía LIMITADA

* No cubre raspados, rayones, corrosión en la superficie agrietada, rayas u óxido

Luego de que el cliente presente pruebas de la compra, tal como se lo establece en la presente, el Fabricante reparará o reemplazará las partes que presenten defectos durante el período de garantía aplicable. No debe cobrarse al cliente por las partes solicitadas para realizar la reparación o el cambio excepto los gastos de envío en tanto el comprador se encuentre dentro del período de garantía a partir de la fecha original de compra. El consumidor/comprador original se hará cargo de todos los gastos de envío de las partes reemplazadas según los términos de la presente garantía limitada. La presente garantía limitada sólo es aplicable dentro de los Estados Unidos de América, sólo está disponible para el dueño original del producto y *no es transferible*. El fabricante solicitará prueba razonable de su fecha de compra. Por lo tanto, debe conservar su recibo de compra y/o factura. En caso de que le hayan regalado esta unidad, solicítele a quien se la regaló que envíe la factura por usted a la dirección que aparece a continuación. Las partes defectuosas o faltantes a esta garantía limitada no serán reemplazadas sin la debida inscripción o prueba de compra. Esta garantía limitada sólo es aplicable al funcionamiento del producto y no cubre cuestiones estéticas tales como rayones, bollos, corrosión o decoloración por calor, limpiadores abrasivos y químicos o cualquier otra herramienta utilizada para armar o instalar la unidad, óxido en la superficie, o decoloración en las superficies de acero inoxidable. El óxido en la superficie, la corrosión, o el raspado de la pintura sobre las partes de metal no afectan la integridad de la estructura de este producto y por lo tanto, no se consideran como defectos de fábrica o de materiales y no están cubiertos por esta garantía. Esta garantía limitada no le reembolsará los costos de ningún inconveniente, alimento, lesión personal o daño a la propiedad. En caso de no estar disponible un repuesto original, se le enviará uno similar. Usted será responsable de todos los gastos de envío de las partes reemplazadas según los términos de la presente garantía limitada.

ARTÍCULOS POR LOS CUALES NO PAGARÁ EL FABRICANTE:

- Llamadas de servicio a su hogar
- Reparaciones cuando utilice el producto con otra finalidad que no sea el uso normal en casas de familia o residencias.
- Daños que resulten de accidentes, alteraciones, mal uso, falta de mantenimiento / limpieza, abuso, incendio, inundaciones, casos fortuitos, instalación incorrecta, e instalación que no cumple con los códigos de electricidad o plomería o el uso de productos no autorizados por el fabricante.
- Cualquier pérdida de alimentos ocasionada por fallas en los productos.
- Repuestos o costos de reparación de unidades que se utilizan fuera de los Estados Unidos de América o de Canadá.
- Recogido y entrega del producto.
- Facturas de envío o facturas de revelado de fotos por las fotos que se enviaron como prueba.
- Reparaciones de partes o sistemas que surgieran como consecuencia de la realización de modificaciones no autorizadas al producto.
- Extracción y/o reinstalación del producto.
- Costo de envío, estándar o urgente, de la garantía/no-garantía y repuestos.

RENUNCIA A LAS GARANTÍAS IMPLÍCITAS: LIMITACIÓN DE ACCIONES Y RECURSOS LEGALES

La reparación o el cambio de partes defectuosas es la única acción legal que puede ejercer según los términos de la presente garantía limitada. El Fabricante no se responsabilizará de ningún daño consecuente o incidental que surja del incumplimiento ya sea de esta garantía limitada o de cualquier garantía aplicable implícita, o de ninguna falla o daño que surjan como consecuencia de hechos fortuitos, cuidado y mantenimiento indebidos, incendio provocado por grasa, accidente, alteración, cambio de partes que realice otra persona que no sea el Fabricante, mal uso, transporte, uso comercial, abuso, ambientes hostiles (clima inclemente, actos de la naturaleza, manipulación de animales), instalación indebida o instalación que no cumpla con los códigos locales o con las instrucciones impresas del fabricante.

ESTA GARANTÍA LIMITADA ES LA ÚNICA GARANTÍA EXPRESA QUE OTORGA EL FABRICANTE. EL FABRICANTE NO GARANTIZA NINGUNA ESPECIFICACIÓN DE USO O DESCRIPCIÓN DONDE SEA QUE APAREZCAN, EXCEPTO HASTA EL PUNTO INDICADO EN LA PRESENTE GARANTÍA LIMITADA. CUALQUIER PROTECCIÓN IMPLÍCITA DE LA GARANTÍA QUE SURJA DE LAS LEYES DE CUALQUIER ESTADO, INCLUYENDO LA GARANTÍA IMPLÍCITA DE COMERCIALIZACIÓN O ADECUACIÓN PARA UN DETERMINADO USO O PROPÓSITO, TENDRÁ LA MISMA DURACIÓN LIMITADA QUE LA PRESENTE GARANTÍA LIMITADA.

Ningún proveedor ni el establecimiento de venta que comercialice este producto tiene derecho a ofrecer garantías adicionales o a prometer otras acciones legales posibles además de o contrarias a las establecidas con anterioridad. La responsabilidad máxima del fabricante, en cualquier caso, no debe superar el precio de compra documentado del producto que abonó el consumidor original. Esta garantía solo es aplicable a la unidades adquiridas en un minorista o en un mercado de reventa. **NOTA:** Algunos estados no permiten la exclusión o limitación de daños incidentales o consecuentes. Por lo tanto, algunas de las limitaciones y exclusiones antes mencionadas pueden no ser aplicables a su caso en particular. La presente garantía limitada le otorga derechos legales específicos tal como aquí se estipula. También puede gozar de otros derechos que varían en los diversos estados.

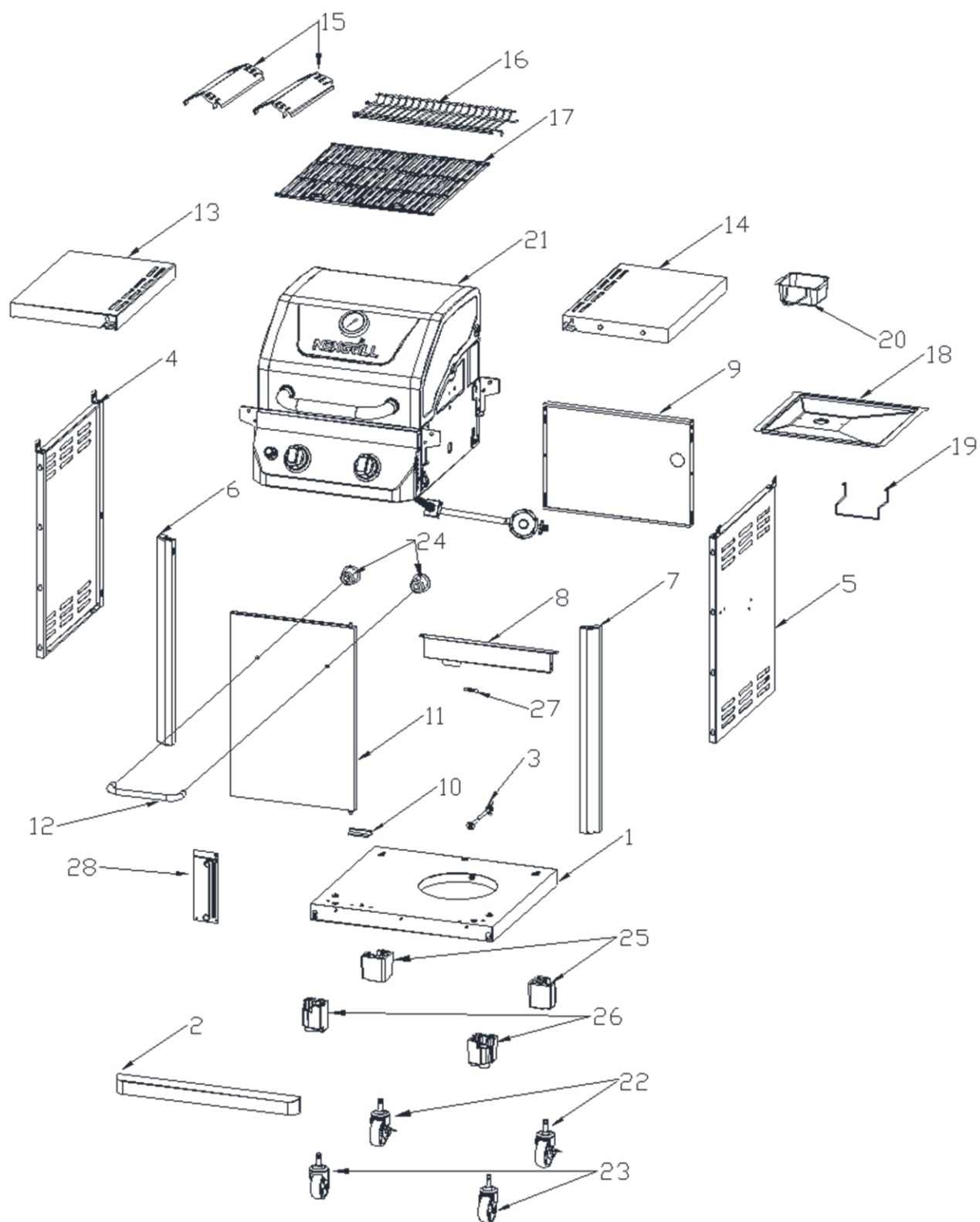
En caso de que quiera que se cumpla con cualquiera de las obligaciones estipuladas en la presente garantía limitada, escriba a:

Atención al cliente de Nexgrill
14050 Laurelwood PI
Chino, CA 91710

Puede solicitar devoluciones, ordenar repuestos, realizar preguntas generales y obtener ayuda sobre localización y resolución de problemas comunicándose al 1-800-913-8999

. Idiomas hablados: Ingles, Frances, y Español de 8 a.m.-5 p.m., PST. Lunes –Viernes.

Explode View
Vue éclatée
Vista en detalle



Part List

No.	Part (Description)	QTY	No.	Part (Description)	QTY
1	Base Panel	1	21	Firebox	1
2	Base Panel Trim	1	22	Swivel Caster with Brake	2
3	Tank Bolt	1	23	Swivel Caster	2
4	Side Panel, Left	1	24	Inner Door Plug	2
5	Side Panel, Right	1	25	Caster Bracket, Rear	2
6	Side Post, Left	1	26	Caster Bracket, Front	2
7	Side Post, Right	1	27	Door Magnet	1
8	Cart Frame	1	28	Lighting Rod	1
9	Cart Rear Panel	1			
10	Door Stopper	1			
11	Front Door	1			
12	Door Handle	1			
13	Left Side Shelf	1			
14	Right Side Shelf	1			
15	Flame Tamer	2			
16	Warming Rack	1			
17	Cooking Grid	2			
18	Grease Tray	1			
19	Grease Cup Bracket	1		Hardware Pack	1
20	Grease Cup	1		Manual	1

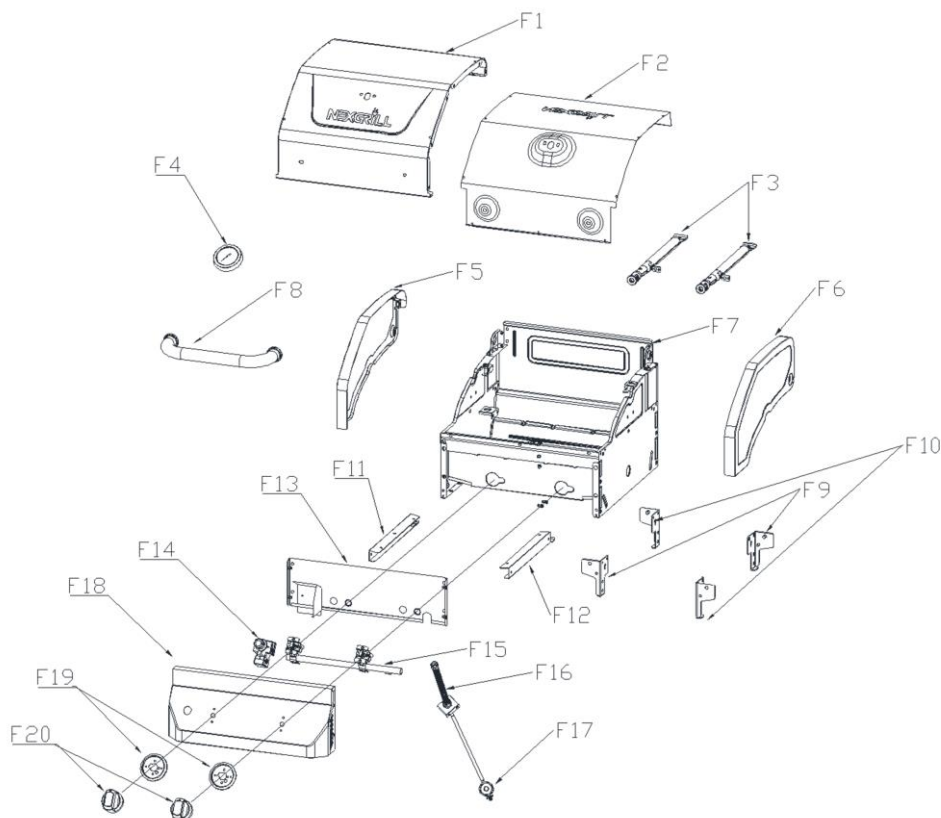
Liste des pièces

Non.	Partie (Description)	QTY	Non.	Partie (Description)	QTY
1	Panneau de base	1	21	Foyer	1
2	Garniture du panneau de base	1	22	Roulette pivotante avec frein	2
3	Boulon de réservoir	1	23	Roulette pivotante	2
4	Panneau latéral gauche	1	24	Bouchon de porte intérieure	2
5	Panneau latéral de droite	1	25	Support de roulette, arrière	2
6	Montant du panier, gauche	1	26	Support de roulette, avant	2
7	Montant du panier, à droite	1	27	Aimant de porte	1
8	Cadre de chariot	1	28	Bâtonnet d'allumage	1
9	Panneau arrière du chariot	1			
10	Butée de porte	1			
11	Porte d'entrée	1			
12	Poignée de porte	1			
13	Tablette latérale gauche	1			
14	Tablette latérale droite	1			
15	Dispositif de contrôle des flammes	2			
16	Grille chauffante	1			
17	Grille de cuisson	2			
18	Bac à graisse	1			
19	Support de godet à graisse	1		L'emballage de vis	1
20	Tasse à graisse	1		Manuel	1

Lista de partes

No.	Pieza (Descripción)	CANT.	No.	Pieza (Descripción)	CANT.
1	Panel base	1	21	Caja de fuego	1
2	Moldura del panel base	1	22	Rueda giratoria con freno	2
3	Perno del tanque	1	23	Rueda giratoria	2
4	Panel lateral izquierdo	1	24	Tapón de puerta interior	2
5	Panel lateral derecho	1	25	Soporte de rueda, trasero	2
6	Poste del carrito, izquierdo	1	26	Soporte de rueda, delantero	2
7	Poste del carrito, derecho	1	27	Imán para la puerta	1
8	Bastidor del carro	1	28	Varilla de encendido	1
9	Panel trasero del carro	1			
10	Tope de puerta	1			
11	Puerta principal	1			
12	Manija de la puerta	1			
13	Estante lateral izquierdo	1			
14	Estante lateral derecho	1			
15	Domador de llama	2			
16	Rejilla para calentar	1			
17	Rejilla para cocinar	2			
18	Bandeja de grasa	1			
19	Soporte de la copa de grasa	1		Paquete de herrajes	1
20	Taza de grasa	1		Manual	1

Explode View Vue éclatée Vista en detalle



No.	Part (Description)	QTY	No.	Part (Description)	QTY
F1	Lid Top Panel	1	F11	Grease Tray Bracket, Left	1
F2	Inner Lid	1	F12	Grease Tray Bracket, Right	1
F3	Burner	2	F13	Front Baffle	1
F4	Temperature Gauge	1	F14	Pulse Igniter Module	1
F5	Lid Side Panel, Left	1	F15	Gas Valve and Manifold	1
F6	Lid Side Panel, Right	1	F16	Flex Gas Line	1
F7	Firebox	1	F17	Regulator	1
F8	Lid Handle	1	F18	Control Panel	1
F9	Side Shelf Bracket 1	2	F19	Bezel	2
F10	Side Shelf Bracket 2	2	F20	Knob	2

Liste des pieces / Lista de partes

Non.	Partie (Description)	QTY	Non.	Partie (Description)	QTY
F1	Panneau supérieur du couvercle	1	F11	Support de bac à graisse, gauche	1
F2	Couvercle intérieur	1	F12	Support de bac à graisse, droit	1
F3	Brûleur	2	F13	Chicane avant	1
F4	Indicateur de température	1	F14	Module d'allumage à impulsion	1
F5	Panneau latéral du couvercle, gauche	1	F15	Vanne de gaz et collecteur	1
F6	Panneau latéral du couvercle, droit	1	F16	Conduite de gaz flexible	1
F7	Foyer	1	F17	Régulateur	1
F8	Poignée du couvercle	1	F18	Panneau de contrôle	1
F9	Support d'étagère latérale 1	2	F19	Sertissage	2
F10	Support d'étagère latérale 2	2	F20	Perilla	2

No.	Pieza (Descripción)	CANT.	No.	Pieza (Descripción)	CANT.
F1	Panel superior de la tapa	1	F11	Soporte de bandeja de grasa, izquierda	1
F2	Tapa interior	1	F12	Soporte para bandeja de grasa, derecho	1
F3	Quemador	2	F13	Compuerta delantera	1
F4	Medidor de temperatura	1	F14	Módulo de encendido por pulsos	1
F5	Panel lateral de la tapa, izquierdo	1	F15	Válvula de gas y colector	1
F6	Panel lateral de la tapa, derecho	1	F16	Línea de gas flexible	1
F7	Caja de fuego	1	F17	Regulador	1
F8	Asa de la tapa	1	F18	Panel de control	1
F9	Soporte de estante lateral 1	2	F19	Engaste	2
F10	Soporte de estante lateral 2	2	F20	Perilla	2

THIS PAGE INTENTIONALLY LEFT BLANK
PAGE LAISSÉE INTENTIONNELLEMENT VIDE
PÁGINA DEJADA EN BLANCO INTENCIONALMENTE

THIS PAGE INTENTIONALLY LEFT BLANK
PAGE LAISSÉE INTENTIONNELLEMENT VIDE
PÁGINA DEJADA EN BLANCO INTENCIONALMENTE



©2025 NEXGRILL INDUSTRIES, INC.
CHINO, CA. 91710
WWW.NEXGRILL.COM
1-800-913-8999