



**14 OR 12 CUP PROGRAMMABLE
COFFEE MAKER**
Instruction Manual



Thank You for your purchase

Register & sign up for special
announcements and trendy recipes!

Tell us what you think!
Rate, review or ask us a question.

@bellahousewares.com
#getinspired



BellaLife



BellaLifestyle

Table of Contents

Important Safeguards	2-4
Notes On The Plug.....	4
Notes On The Cord.....	4
Electric Power.....	5
Carafe Safety Precautions.....	5
Coffee Yield.....	6
Permanent Coffee Filter Basket	7
Getting To Know Your 12 Cup Coffee Maker	7
Control Panel.....	8
Before Using For The First Time	8
Setting Up The Coffee Maker.....	8
Pause And Serve.....	8
Keep warm mode.....	10
Freshness Timer	10
Auto Shut Off	10
Setting The Clock.....	10
Brew Later.....	11
Strong.....	11
Descaling And Cleaning.....	11
Hints For Great-Tasting Coffee.....	12-13
User Maintenance Instructions.....	13
Care & Cleaning Instructions	13
Auto Clean And Descaling.....	14
Storing Instructions.....	14
Warranty	15

IMPORTANT SAFEGUARDS

Before using the electrical appliance, the following basic precautions should always be followed including the following:

1. **Read all instructions.**
2. Do not let the coffee maker operate without water.
3. Make sure that your outlet voltage corresponds to the voltage stated on the rating label of the coffee maker.
4. To protect against fire, electric shock and injury to persons do not immerse cord, plug, or in water or other liquid.
5. Close supervision is necessary when your appliance is operating. Do not let the appliance on the standby state for a long time. And never allow the children or inform persons to operate the appliance.
6. Unplug from outlet when not in use and before cleaning. Allow to cooling before putting on or taking off parts, and before cleaning the appliance.
7. Do not operate any appliance with a damaged cord or plug or after the appliance malfunctions, or has been damaged in any manner. Return appliance to an authorized service facility for examination, repair or adjustment.
8. The use of attachments not recommended by the appliance manufacturer may result in fire, electric shock or injury to persons.
9. Do not use outdoors.
10. Place appliance on flat surface or table, do not let cord hang over edge of table or counter, or touch hot surface.

11. Do not place on or near a hot gas or electric burner, or in a heated oven.
12. Do not use appliance for other than intended use and place it in a dry environment.
13. Connect plug to wall outlet before using and turn any switch off before plug is removed from wall outlet. When unplug, always hold the plug. But never pull the cord.
14. Some parts of appliance are hot when operated, so do not touch with hand directly. Use handles or knobs only.
15. The container is designed for use with this appliance. It must never be used on a range top.
16. Do not clean container with cleansers, steel wool pads, or other abrasive material.
17. Never leave the empty carafe on the keeping warm plate otherwise the carafe is liable to crack.
18. Never use the appliance if the carafe shows any signs of cracks or carafe having a loose or weakened handle. Only use the carafe with this appliance. Use carefully as the carafe is very fragile.
19. Do not set a hot container on a hot or cold surface.
20. This appliance can be used by children aged from 8 years and above if they have been given supervision or instruction concerning use of the appliance in a safe way and if they understand the hazards involved. Cleaning and user maintenance shall not be made by children unless they are older than 8 and supervised. Keep the appliance and its cord out of reach of children aged less than 8 years.
21. Appliances can be used by persons with reduced physical, sensory or mental capabilities concerning use of the appliance in a safe way and understand the hazards involved.

22. This appliance is intended to be used in household and similar applications such as:
- Staff kitchen areas in shops, offices and other working environments;
 - Farm houses;
 - By clients in hotels, motels and other residential type environments;
 - Bed and breakfast type environments.

NOTES ON THE PLUG

This appliance has a grounded 3-prong plug. Connect to a properly grounded outlet only. If the plug does not fit fully into the outlet, contact a qualified electrician. Do not attempt to modify the plug in any way.

NOTES ON THE CORD

- a) A short power-supply cord (or detachable power-supply cord) is provided to reduce risks resulting from becoming entangled in or tripping over a longer cord.
- b) Longer detachable power-supply cords or extension cords are available and may be used if care is exercised in their use.
- c) If a long detachable power-supply cord or extension cord is used:
 - 1) The marked electrical rating of the detachable power-supply cord or extension cord should be at least as great as the electrical rating of the appliance;
 - 2) If the appliance is of the grounded type, the extension cord should be a grounding- type 3-wire cord; and
 - 3) The longer cord should be arranged so that it will not drape over the counter top or table top where it can be pulled on by children or tripped over.

ELECTRIC POWER

If the electrical circuit is overloaded with other appliances, your appliance may not operate properly. It should be operated on a separate electrical circuit from other appliances.

CARAFE SAFETY PRECAUTIONS

1. Do not use a cracked carafe or any carafe with a loose or weakened handle.
2. This carafe is designed to be used only on the warming plate of your Coffee Maker.
Do not use in a conventional oven.
3. To avoid breakage, handle carafe with care. Avoid impact. Glass will break as a result of impact. Use care when filling with water to avoid hitting faucet.
4. Do not place hot carafe on cool or wet surface. Allow carafe to cool before washing or adding liquids.
5. Do not set empty carafe on a hot heating surface. Do not clean with steel wool pads, abrasive cleanser, or any other materials that may scratch.
6. Do not bump or scratch the carafe. Remove carafe from the warming plate to avoid burning or scorching. Never operate the Coffee Maker with a carafe that has boiled dry.
7. Discard carafe if it is cracked, scratched, or heated while empty for an extended period of time.

COFFEE YIELD

12 Cup Coffee Maker: 12 (5 oz.) cups

NOTE: A 5-oz.cup is the American industry standard and is used by most Coffee Maker manufacturers. To fill your favorite over-sized mug, fill Coffee Maker reservoir with enough water for 3 to 4 cups (15 to 20 ounces).

NOTE: The amount of brewed coffee will always be less than the amount of water placed into the water reservoir; as much as 10% may be absorbed by coffee grounds and steam loss.

WARNING: To avoid the risk of fire or electric shock, do not unscrew the under side cover. There are no user-serviceable parts inside. repair should be done by authorized service personnel only.

FOR HOUSEHOLD USE ONLY

SAVE THESE INSTRUCTIONS

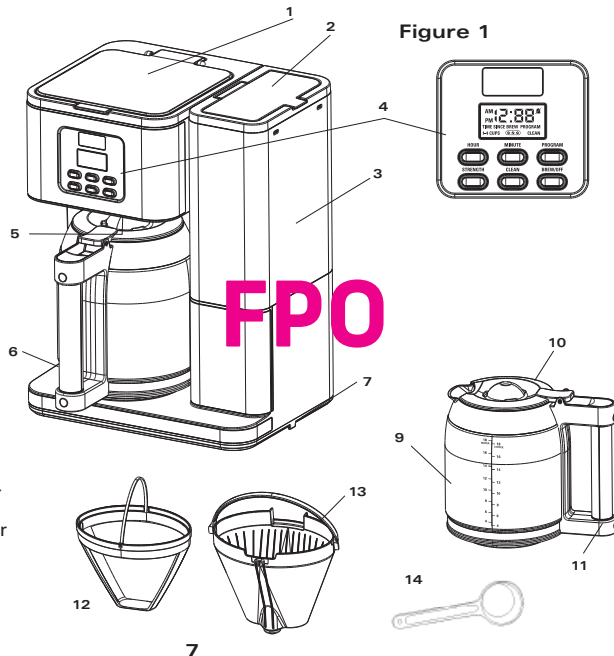
PERMANENT COFFEE FILTER BASKET

The permanent coffee filter basket takes the place of disposable paper filters. Simply place the permanent coffee filter basket into the removable filter basket holder. Unfold and use handle to lift basket of used coffee grounds up and out of the Coffee Maker; fold handle down to close the water reservoir lid..

GETTING TO KNOW YOUR 12-CUP COFFEE MAKER

Product may vary slightly from illustration

1. Coffee Maker Lid
2. Water Reservoir
3. Water level Indicator
4. Control Panel
5. Pause and Serve Valve (not shown)
6. Warming Plate
7. Cord Storage (not shown)
8. 2 Prong Plug (not shown)
9. Carafe
10. Carafe Lid
11. Carafe Handle
12. Permanent Coffee Filter
13. Removable Filter Holder
14. Coffee Scoop



CONTROL PANEL



BEFORE USING FOR THE FIRST TIME

CAUTION: To protect against electrical shock, do not immerse the Coffee Maker or allow power cord to come into contact with water or other liquids.

1. Remove all packing material and labels from the inside and outside of the Coffee Maker. Place the unit on a flat, clean surface.
2. Before preparing coffee, thoroughly clean the glass carafe with lid, removable filter holder and permanent coffee filter in hot, sudsy water. Rinse and dry. Replace disassembled parts. See Care & Cleaning Instructions for a detailed description.

NOTE: The permanent filter and removable filter holder are all top rack dishwasher safe. The reusable scoop is also dishwasher safe, but it should be placed in the machine alongside the cutlery.

3. Clean the inside of the Coffee Maker by brewing 2 full carafes of tap water (see “setting up the machine”). Do not add the permanent coffee filter or ground coffee for this initial cleaning.
4. Brew a second carafe of fresh water.

SETTING UP THE COFFEE MAKER

IMPORTANT: Before brewing, always check to make sure water level is past the MIN line and add water if needed. Never exceed the MAX fill line.

NOTE: The amount of brewed coffee will always be less than the amount of water placed into the water reservoir; as much as 10% is absorbed by coffee grounds and filter.

1. Open the top cover and fill the water tank with water. The water level should not exceed MAX level as indicated in the water tank.
2. Place the filter into the filter holder, make sure it is assembled correctly, otherwise the top cover will not close.
3. Add ground coffee into the filter. Measure 2 level tablespoons or 1 scoop with the provided coffee scoop, of drip or regular ground coffee for each cup of coffee desired. For stronger or milder coffee, adjust amount of coffee to suit your taste. Close the top cover completely.
4. Insert the carafe on the warming plate.
5. Plug the power cord into the outlet. The LCD will display “AM 12:00” together with the “ : ” flashing.
6. Press the BREW NOW button, the RUN indicator will illuminate on the screen. The coffee maker will begin brewing.
7. The brewing process can be stopped by pressing the BREW NOW button at any time, and the RUN indicator will turn off. The coffee maker will continue brewing once BREW NOW is pressed again.

PAUSE AND SERVE

If you wish to serve a cup of coffee before the brew cycle is complete, simply remove carafe from the warming plate. Dripping will automatically cease. Return the carafe onto the warming plate; dripping will resume.

CAUTION: To prevent injury when utilizing the pause and serve feature, replace carafe within 30 seconds after removing during the brewing process.

KEEP WARM MODE

To set the time for the Keep Warm mode press and hold the Brew Now button for 3 seconds. The KEEP WARM time 2:00 hours will flash. The default keep warm time is 2 hours. To select the keep warm time use the Hour and Minute buttons to adjust the time. Once the desired keep warm time is reached, wait for 5 seconds or press any other buttons except hour or minute buttons.

FRESHNESS TIMER

When the brew cycle is complete, FRESHNESS TIMER will appear on the LCD display and the FRESHNESS TIMER will count up from 0:00 to the selected time to let you know how fresh your coffee is. After the FRESHNESS TIMER is reached, the coffee maker will turn off and the FRESHNESS TIMER icon will disappear. The current time will reappear on the LCD display.

AUTO SHUT OFF

The coffee maker will automatically shut off once the keep warm time has elapsed after brew.

SETTING THE CLOCK

Once the power is on, the clock will display AM 12:00 and flashes until the user adjusts the time, the number will stop flashing, and the middle colon will flash. The time is flashing when the hour button is pressed once, and the LED display time increases by 1 hour. If you press the hour button for 2 seconds and don't let go, the clock will increase rapidly by 4-5 values per second. When you press the Minute button once, the LED display time increases by 1 minute. If you press the Minute button for 2 seconds and s don't let go, the minute will increase rapidly by 4-5 values per second.

To reset the clock, press & hold Hour or Minute buttons for 3 seconds, the time flash and the time can be reset.

NOTE: The time cycle is 12 hours.

BREW LATER

If you do not want the coffee maker to start operation immediately, press & hold the BREW LATER button for 3 seconds, the indicator lights SET and BREW LATER will light up and the auto on time will flash. Adjust HOUR and MINUTE to set the automatic start time. If the current time is set to AM 12:00 and the automatic start time is set to AM 12:03, press the BREW LATER button once, or after it is idle for 5 seconds, the indicator SET will be off, the indicator BREW LATER will be on and will enter the standby mode, two minutes later (AM 12:03), the red LED light will flash, and the BREW LATER indicator will turn off. Once the Brew later is set press the BREW LATER button to cancel the Brew Later mode.

To start the brew time at the same time the next day, simply press the “Brew Later” button, the “Brew later” icon will light up.

STRONG

This coffee machine has a strong setting. If you want to increase the intensity of coffee, you can press the Strong button. The Strong indicator will light up, on the screen. Press the Brew Now button to start brewing.

DESCALING AND CLEANING

To assure optimal flavor and performance of your Coffee Maker, the cleaning light (orange LED (not shown in the figure)) flashes to remind the user that it is time to clean the coffee machine.

1. Minerals in water can detract from the flavor of the coffee and possibly lengthen brew time. It is recommended that the CLEAN cycle be run when it flashes.

IMPORTANT: Always remove the permanent filter basket and removable filter basket before activating the CLEAN cycle.

2. Combine 6 cups of white vinegar and 6 cups of cold water in the carafe.
3. Pour the vinegar solution into the water reservoir and close coffee maker lid.
4. Place the empty carafe onto the warming plate.
5. Press Clean button, the yellow indicator lights up. Press the BREW Now button and the CLEAN cycle begins.
6. At the end of CLEAN cycle the CLEAN indicator light will go off.

7. Discard the water in the carafe. Wash the carafe, removable filter basket and permanent filter basket in hot sudsy water.
8. Brew 2 or 3 carafes of fresh water through the coffee maker before brewing coffee again.
9. Dry parts thoroughly.
10. Replace the removable filter basket in the housing, then drop the clean permanent filter basket into place and close the lid.
11. Place the empty carafe in position on the warming plate.

CAUTION: Be sure to unplug this appliance before cleaning. To protect against electrical shock, do not immerse cord, plug or unit in water or liquid. After each use, always make sure plug is first removed from wall outlet.

- 1) Clean all detachable parts after each use in hot, sudsy water.
- 2) Wipe the product's exterior surface with a soft, damp cloth to remove stains.
- 3) Water droplets may buildup in the area above the funnel and drip onto the product base during brewing. To control the dripping, wipe off the area with a clean, dry cloth after each use of the product.
- 4) Use a damp cloth to gently wipe the warming plate. Never use abrasive cleaner to clean it.
- 5) Replace all parts and keep for next use.

HINTS FOR GREAT-TASTING COFFEE

1. A clean coffee maker is essential for making great-tasting coffee. Regularly clean the coffee maker as specified in the "CLEANING AND MAINTENANCE" section. Always use fresh, cold water in the coffee maker.
2. Store unused coffee powder in a cool, dry place. After opening a package of coffee powder, reseal it tightly and store it in a refrigerator to maintain its freshness.
3. For an optimum coffee taste, buy whole coffee beans and finely grind them just before brewing.
4. Do not reuse coffee powder since this will greatly reduce the coffee' flavor. Reheating coffee is not recommended as coffee is at its peak flavor immediately after brewing.

5. Clean the coffee maker when over-extraction causes oiliness. Small oil droplets on the surface of brewed, black coffee are due to the extraction of oil from the coffee powder.
6. Oiliness may occur more frequently if heavily roasted coffees are used.

USER MAINTENANCE INSTRUCTIONS

This appliance requires little maintenance. It contains no user-serviceable parts. Any servicing requiring disassembly other than cleaning must be performed by a qualified appliance repair technician.

CARE & CLEANING INSTRUCTIONS

1. Always make sure Coffee Maker is unplugged and the warming plate is cool before attempting to clean.
2. After every use, remove the permanent coffee filter, discard used coffee grounds, rinse thoroughly.
3. Wash the removable filter holder and glass carafe in hot, sudsy water. If necessary, scrub the inside of the carafe lid with a soaped kitchen brush. The permanent filter and removable filter holder are all top rack dishwasher safe. The reusable scoop is also dishwasher safe but it should be placed in the machine alongside the cutlery.

WARNING: To avoid breakage, handle carafe with care. Avoid impact. Glass will break as a result of impact. Use care when filling with water to avoid hitting faucet.

4. Wipe the exterior with a damp cloth to remove superficial stains. For stubborn stains, use a nylon or plastic pad with a non-abrasive cleanser. Do not use metal scouring pads or abrasive cleansers.
5. Dry and replace disassembled parts. Make sure the removable filter holder drops down and is properly seated into the housing.
6. Close the lid.

AUTO CLEAN AND DESCALING

Special cleaning of your Coffee Maker is recommended at least once a month, depending on frequency of use and quality of water used in the unit. If water in your area is especially hard, the following cleaning procedure should be performed every 2 weeks, since minerals in water can detract from the flavor of the coffee and possibly lengthen brew time..

1. Combine 6 cups of white vinegar and 4 cups of cold water in carafe.
2. Pour into water reservoir.
3. Place an 8 to 12 cup cupcake style paper filter in the removable filter basket. Insert filter basket into filter basket holder and close lid.
4. Make sure the lid of the carafe is in place and place the empty carafe on the keep warm plate.
5. Press and hold the KEEP WARM button until CLEAN appears on the LCD.
6. Press the ON/OFF button to start the cleaning cycle. The light around the ON/OFF button will turn on and the unit will beep.
7. Once the cleaning cycle is complete, the light around the ON/OFF button will turn off and the unit will beep.
8. Discard all water/vinegar solution from carafe & water tank.
9. Repeat the brew cycle 2-3 times with cold water before brewing coffee again.

STORING INSTRUCTIONS

1. Unplug unit and allow to cool.
2. Store Coffee Maker in its box or in a cool, dry place.
3. Never store unit while it is still plugged in.

Limited Two-Year Warranty

SENSIO Inc. hereby warrants that for a period of **TWO YEARS** from the date of purchase, this product will be free from mechanical defects in material and workmanship, and for 90 days in respect to non-mechanical parts. At its sole discretion, SENSIO Inc. will either repair or replace the product found to be defective, or issue a refund on the product during the warranty period.

Exclusions:

The warranty does not cover normal wear of parts or damage resulting from any of the following: negligent use of the product, use of improper voltage or current, improper routine maintenance, use contrary to the operating instructions, disassembly, repair, or alteration by anyone other than qualified SENSIO Inc. personnel. Also, the warranty does not cover Acts of God such as fire, floods, hurricanes, or tornadoes.

SENSIO Inc. shall not be liable for any incidental or consequential damages caused by the breach of any express

The warranty is only valid for the original retail purchaser from the date of initial retail purchase and is not transferable. Keep the original sales receipt, as proof of purchase is required to obtain warranty validation. Retail stores selling this product do not have the right to alter, modify, or in any way revise the terms and conditions of the warranty.

or implied warranty. Apart from the extent prohibited by applicable law, any implied warranty of merchantability or fitness for a particular purpose is limited in time to the duration of the warranty. Some states, provinces or jurisdictions do not allow the exclusion or limitation of incidental or consequential damages, or limitations on how long an implied warranty lasts, and therefore, the above exclusions or limitations may not apply to you. The warranty covers specific legal rights which may vary by state, province and/or jurisdiction.

For customer service questions or comments
1-866-832-4843
bellahousewares.com

Sensio Inc.
New York, NY 10016/USA

90194