

Compact Filler – Datasheet

For small-scale productions

1. Product presentation

- Each machine does one single capsule size.
- No adjustment necessary.
- PMMA plates.
- Stainless steel frame and small parts .
- Fill Capsule sizes 000, 00, 0, 1, 2, 3 and 4.
- 60 Capsules capacity.
- Easy to wash.

Capsule size:

Serial:



2. Safety information and disclaimer

All material should be cleaned before every use.

Many parts are heavy and might cause injury if mishandled or in case of fall.

Always work on a stable and flat surface, at a height that is comfortable to work while standing. Have sufficient free space around the machine you are working with.

As the filling is manual, results may vary depending on the user. Other factors can influence the results such as but not limited to: type of power, number of tamps, filling weight, capsule size, vibration type and intensity. It is the responsibility of the user to make sure the prescribed dose is respected. Feton International is not responsible for wrong dosing.

Illustrations, descriptions and specifications are not contractual and are subject to change without prior notice.

Feton International sprl declines all liability in the event of improper use of its products.

Feton International sprl
8, rue de la Croix du Maieur
7110 Strépy-Bracquegnies
Belgium



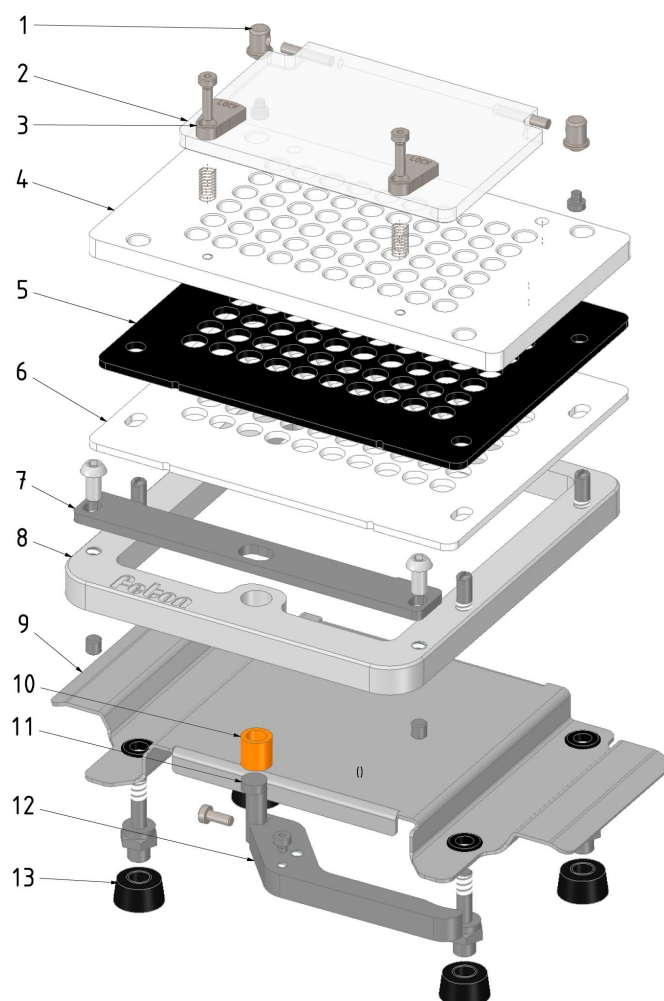
+32 (0) 2 420 52 00
contact@feton.com
www.feton.com

Compact Filler – Datasheet

For small-scale productions

3. Technical data

3.1 Components list and Materials



Item N°	Quantity	Name	Material
1	2	Hinge	304 Stainless Steel
2	1	Lid	PMMA
3	2	Lock	316 Stainless Steel
4	1	Top Plate	PMMA
5	1	Filling Plate	PMMA
6	1	Bottom Plate	PMMA
7	1	Plate Pusher	316 Stainless Steel
8	1	Frame	316 Stainless Steel
9	1	Base Plate	316 Stainless Steel
10	1	Bushing	Bronze
11	1	Eccentric Pin	316 Stainless Steel
12	1	Lever	316 Stainless Steel
13	4	Foot	Rubber

Feton International sprl
 8, rue de la Croix du Maieur
 7110 Strépy-Bracquegnies
 Belgium



+32 (0) 2 420 52 00
 contact@feton.com
 www.feton.com

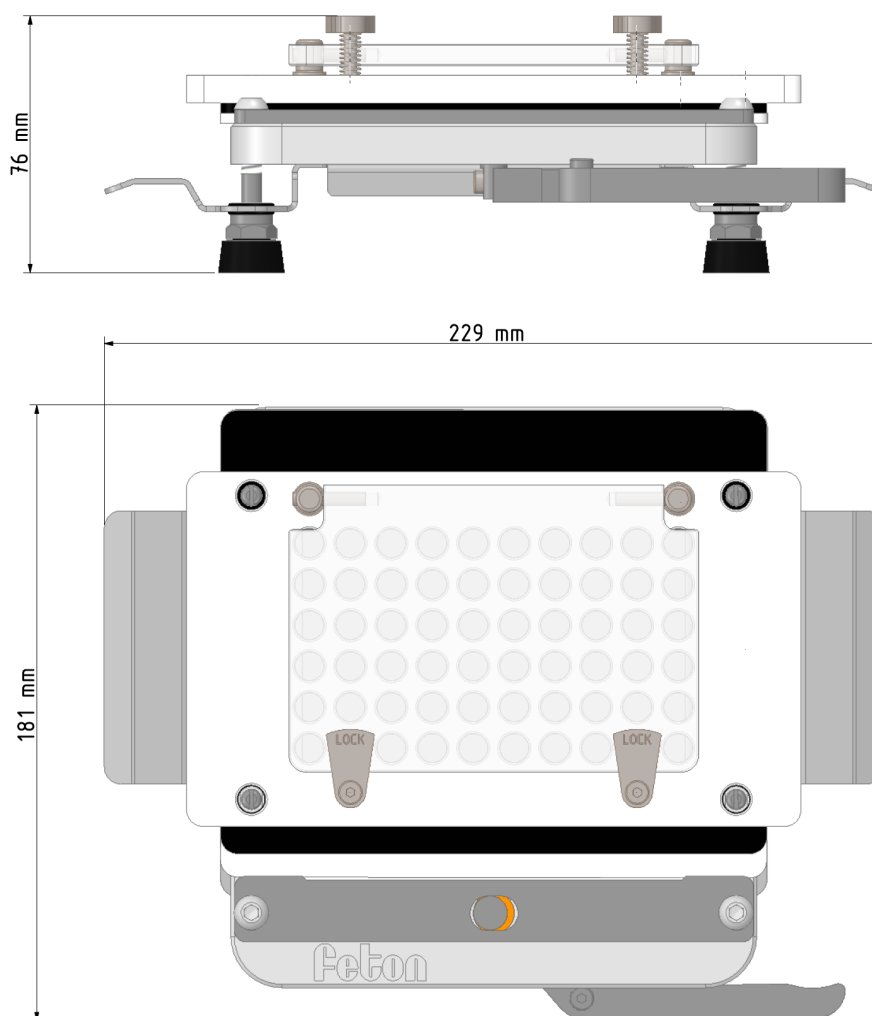
Compact Filler – Datasheet

For small-scale productions

3.2 Dimensions and Weight

Number of Capsules	60
Capsules Sizes options	000-00-0-1-2-3-4
Weight	1,7 kg

Dimensions:



Feton International sprl
8, rue de la Croix du Maieur
7110 Strépy-Bracquegnies
Belgium



+32 (0) 2 420 52 00
contact@feton.com
www.feton.com

Compact Filler – Datasheet

For small-scale productions

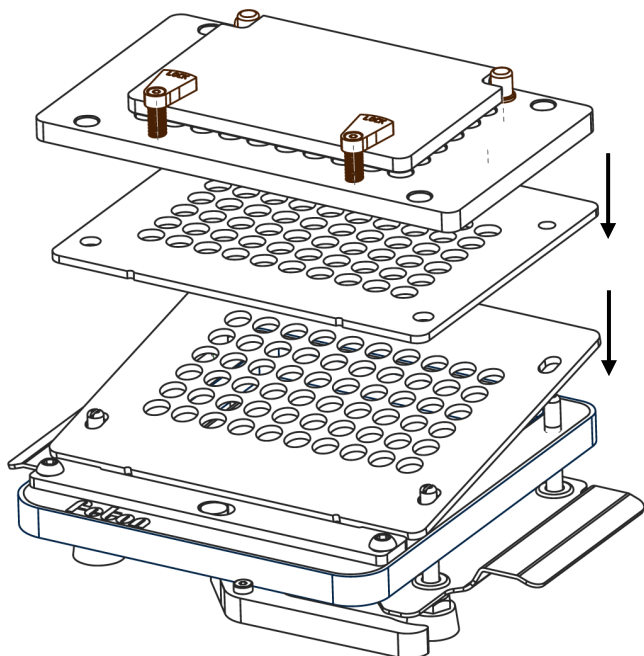
4. How to use

NOTE : Operate your capsule filler at least one time without filling the capsules (steps 3-4-5-8) at the start of every preparation. This will allow you to check that everything is working correctly.

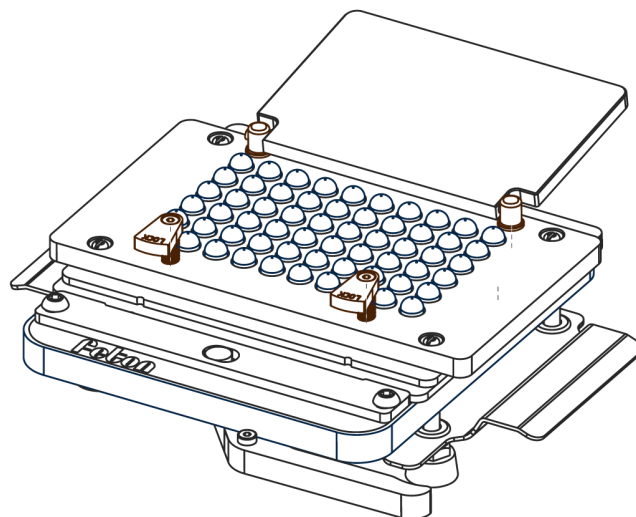
See table below for visual instructions.

1. Prepare your material. Install the plates in this order: Bottom Plate, Filling Plate, Top Plate. Be careful to orient the Bottom and Filling plates with the notches forward.
2. Load the Capsules. You can place them by hand or with a Feton capsule Loader.
3. Pull the Lever to lock the Capsules' bodies.
4. Pull the Top Plate upwards, starting from the back side for easier separation. Push with your thumbs on the Filling Plate in the back corners and pull with the fingers on the Top Plate.
5. Release the Lever. If needed, push on the Capsules's bodies so that they are flush with the Filling Plate. Fill the Capsules. Use a tamper if needed.
6. Place the Top Plate. Pull the Base Plate to push the Capsules' bodies into the Capsules' heads. The capsules are now "pre-closed".
7. Take the Top Plate and turn it upside down on your table. If you have a Serial Closer, use it to close the Capsules in one smooth motion. If you do not have a Serial Closer, close the capsules by hand.
8. Your Capsules are now ready.

1



2



Feton International sprl
8, rue de la Croix du Maieur
7110 Strépy-Bracquagnies
Belgium

For the Pharmacist's expertise
Feton[®]
International
www.feton.com

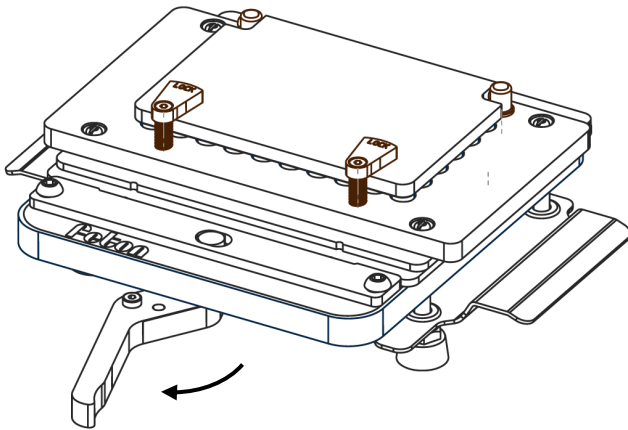
+32 (0) 2 420 52 00
contact@feton.com
www.feton.com

MAR 2019 – Version 1.3 – Sheet 4 of 6

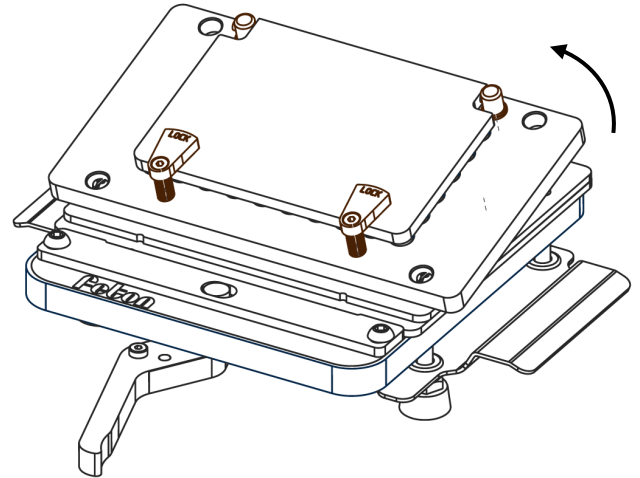
Compact Filler – Datasheet

For small-scale productions

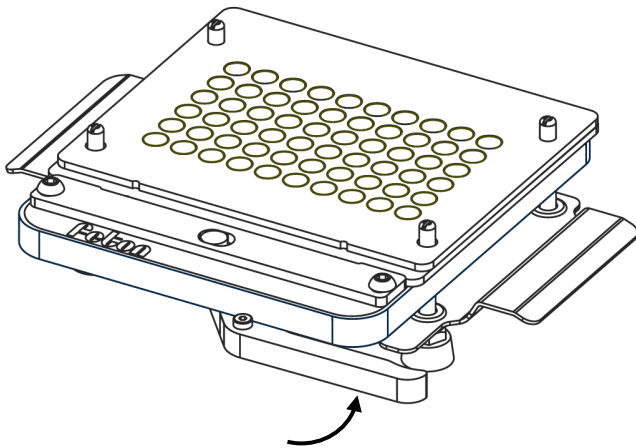
3



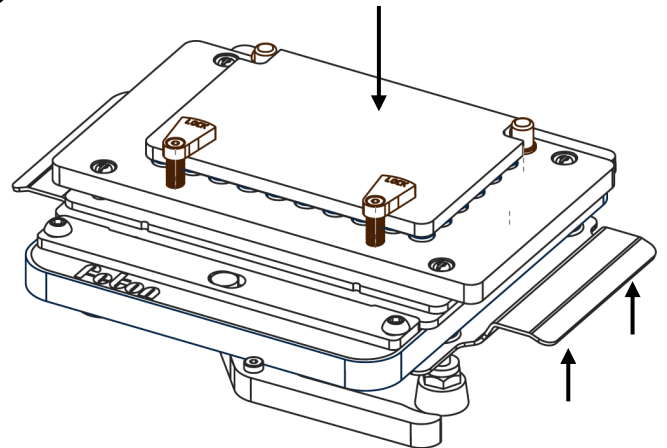
4



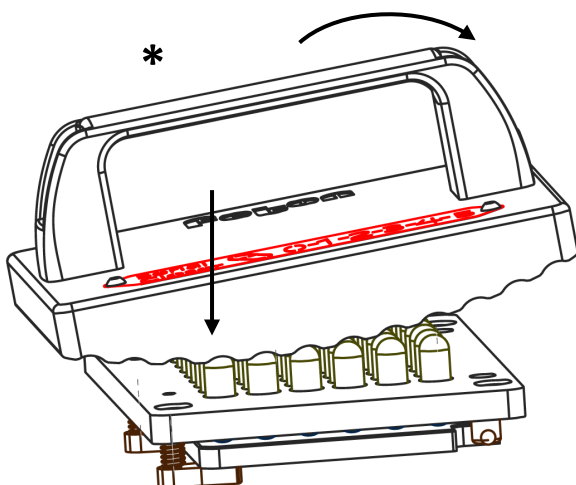
5



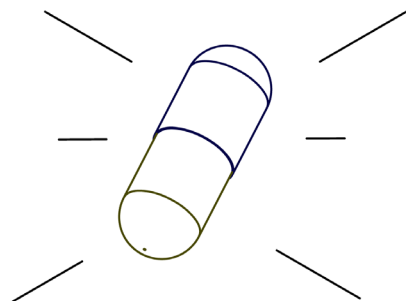
6



7



8



* Optional accessory

Feton International sprl
8, rue de la Croix du Maieur
7110 Strépy-Bracquognies
Belgium

For the Pharmacist's expertise
Feton[®]
International
www.feton.com

+32 (0) 2 420 52 00
contact@feton.com
www.feton.com

MAR 2019 – Version 1.3 – Sheet 5 of 6

Compact Filler – Datasheet

For small-scale productions

5. How to wash

It is important to wash the parts in contact with the capsules or the powder thoroughly between each use to avoid contamination. Washing can be done by hand, in a dishwasher or in an autoclave. If done by hand, use warm water and soap.

Use a temperature of up to 110°C / 230°F for all the metallic parts.

Use a temperature of up to 40°C / 104°F for all the plastic parts.

If you have difficulties washing the inside of holes on the plates, use a brush:

