

Full Metal Filler 100/120 – Datasheet

For high-output productions

1. Product presentation

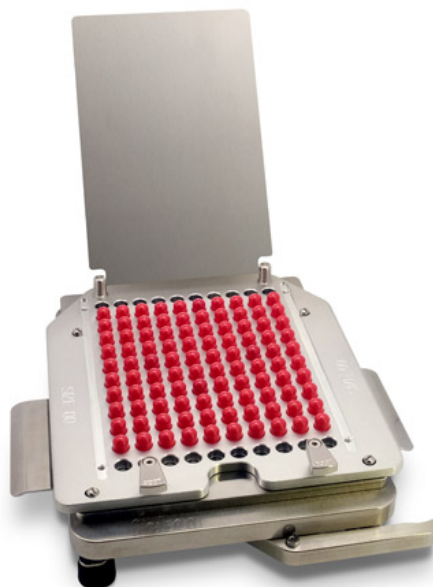
- Each machine does one single capsule size.
- Only metallic plates and frame.
- Fill Capsule sizes 000, 00, 0, 1, 2, 3, 4 and 5.
- No adjustment necessary.
- 100 and 120 Capsules capacity.
- Very robust design.
- Easy to wash.

Filler capacity:

Capsule size:

Serial:

Full Metal 100:



Feton International sprl
8, rue de la Croix du Maieur
7110 Strépy-Bracquegnies
Belgium



+32 (0) 2 420 52 00
contact@feton.com
www.feton.com

Full Metal Filler 100/120 – Datasheet

For high-output productions

Full Metal 120:



2. Safety information and disclaimer

All material should be cleaned before every use.

Many parts are heavy and might cause injury if mishandled or in case of fall.

Always work on a stable and flat surface, at a height that is comfortable to work while standing. Have sufficient free space around the machine you are working with.

As the filling is manual, results may vary depending on the user. Other factors can influence the results such as but not limited to: type of power, number of tamps, filling weight, capsule size, vibration type and intensity. It is the responsibility of the user to make sure the prescribed dose is respected. Fetton International is not responsible for wrong dosing.

Illustrations, descriptions and specifications are not contractual and are subject to change without prior notice.

Fetton International sprl declines all liability in the event of improper use of its products.

Fetton International sprl
8, rue de la Croix du Maieur
7110 Strépy-Bracquegnies
Belgium



+32 (0) 2 420 52 00
contact@fetton.com
www.fetton.com

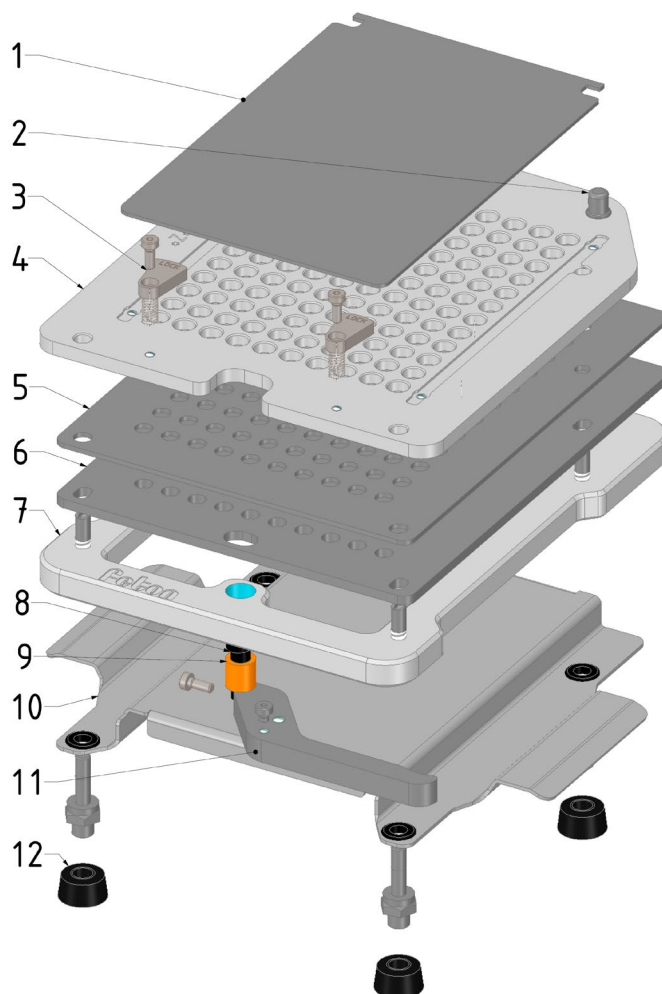
Full Metal Filler 100/120 – Datasheet

For high-output productions

3. Technical data

3.1 Components list and Materials

Note: The Filler presented in the pictures below is the 120-size. The same names and principles apply for the 100-size.



Item N°	Quantity	Name	Material
1	1	Lid	316 Stainless Steel
2	2	Hinge	304 Stainless Steel
3	2	Lock	316 Stainless Steel
4	1	Top Plate	Anodised Aluminium
5	1	Filling Plate	316 Stainless Steel
6	1	Bottom Plate	316 Stainless Steel
7	1	Frame	316 Stainless Steel
8	2	Eccentric Pin	316 Stainless Steel
9	1	Bushing	Bronze
10	2	Base Plate	316 Stainless Steel
11	1	Lever	316 Stainless Steel
12	4	Foot	Rubber

Feton International sprl
 8, rue de la Croix du Maieur
 7110 Strépy-Bracquognies
 Belgium



+32 (0) 2 420 52 00
 contact@feton.com
 www.feton.com

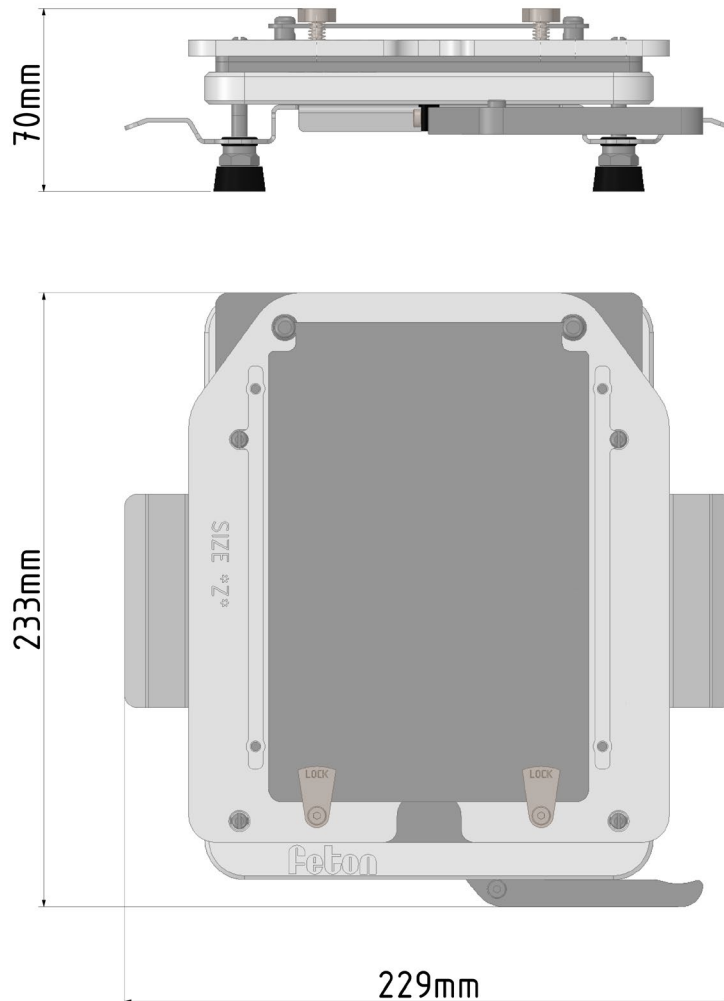
Full Metal Filler 100/120 – Datasheet

For high-output productions

3.2 Full Metal 100 / 120

Number of Capsules	100 / 120
Capsules Sizes options	000-00-0-1-2-3-4-5
Weight	3,6kg (size 000) to 4,0kg (size 5)

Dimensions:



Differences between the 100- and the 120-capsules model:

- Top Plate: the only difference is that the 100-capsules model has 4 added mechanical stops, so that when using the Capsules Loader only 100 capsules are loaded.
- Filling Plate has 120 holes or 100 holes.
- Bottom Plate is identical and has 120 holes in both models.

Thanks to these small differences, it is easy to switch from 100 to 120 capsules and vice versa. All that is needed is the correct Filling Plate (100 or 120) and add or remove the mechanical stops on the Top Plate.

Feton International sprl
8, rue de la Croix du Maieur
7110 Strépy-Bracquegnies
Belgium

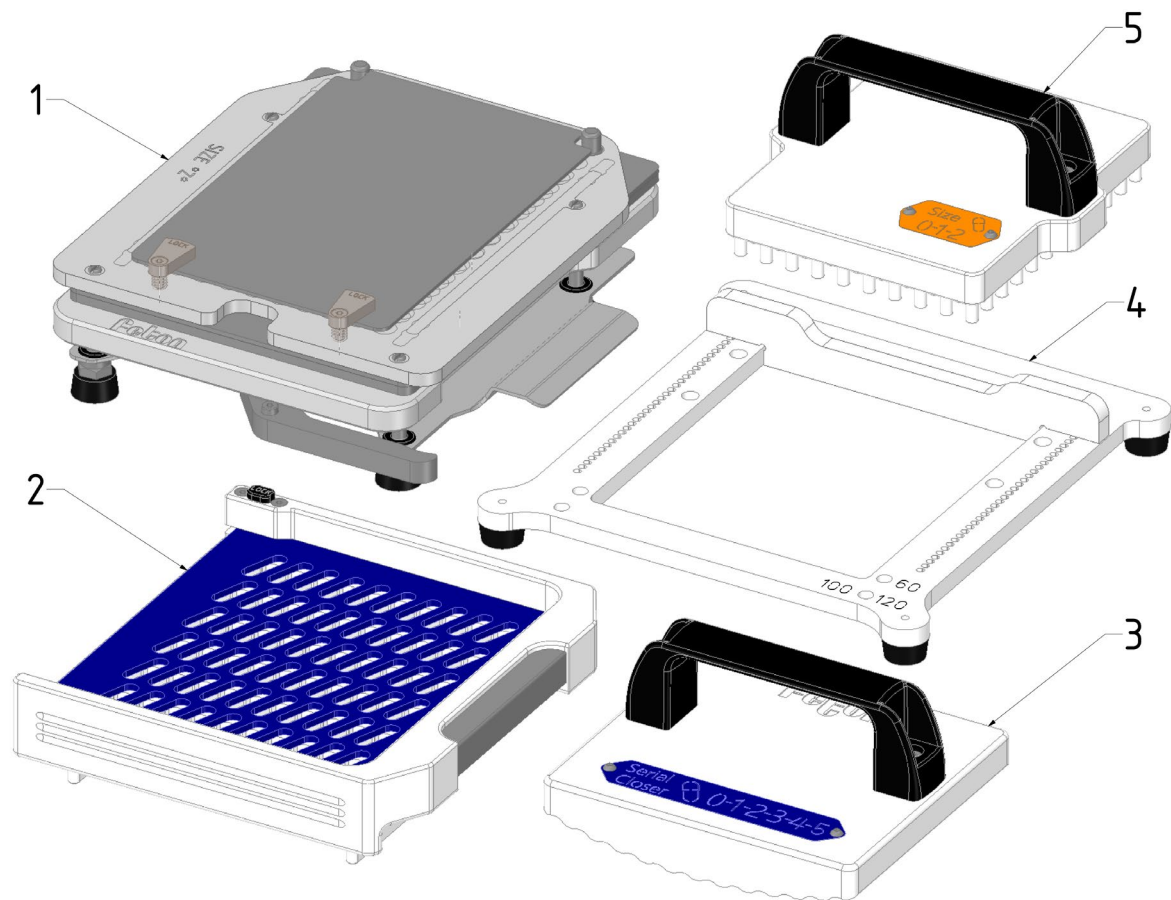


+32 (0) 2 420 52 00
contact@feton.com
www.feton.com

Full Metal Filler 100/120 – Datasheet

For high-output productions

4. How to use



Item N°	Quantity	Name	Material
1	1	Capsule Filler	See 3.1
2	1	Capsule Loader (optional)	POM and PMMA
3	1	Serial Closer (optional)	POM
4	1	Modular Powder Stop (optional)	PMMA
5	1	Tamper (optional)	POM

NOTE : Operate your capsule filler at least one time without filling the capsules (steps 3-4-5-8) at the start of every preparation. This will allow you to check that everything is working correctly.

See table below for visual instructions.

1. Prepare your material. Install the plates in this order: Bottom Plate, Filling Plate, Top Plate.
2. Load the Capsules. Please refer to the Loader datasheet for detailed instructions.
3. Pull the Lever to lock the Capsules' bodies.
4. Pull the Top Plate upwards, starting from the back side for easier separation. Push with your thumbs on the Filling Plate in the back corners and pull with the fingers on the Top Plate.
5. Release the Lever. If needed, push on the Capsules's bodies so that they are flush with the Filling Plate.
6. Fill the Capsules. Use of a Powder Stop is optional.

Feton International sprl
8, rue de la Croix du Maieur
7110 Strépy-Bracquegnies
Belgium

For the Pharmacist's expertise
Feton[®]
International
www.feton.com

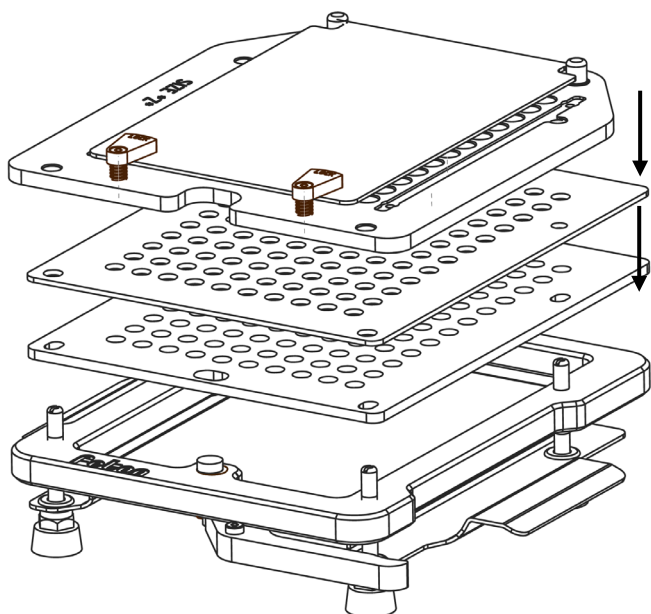
+32 (0) 2 420 52 00
contact@feton.com
www.feton.com

Full Metal Filler 100/120 – Datasheet

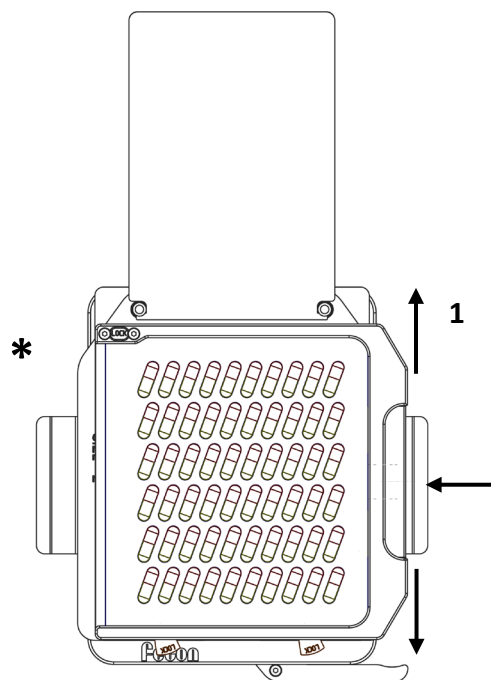
For high-output productions

7. If needed, you can use a Tamper to push the powder into the Capsules to be able to fill a higher volume.
8. Place the Top Plate. Pull the Base Plate to push the Capsules' bodies into the Capsules' heads. The capsules are now "pre-closed".
9. Take the Top Plate and turn it upside down on your table. If you have a Serial Closer, use it to close the Capsules in one smooth motion. If you do not have a Serial Closer, close the capsules by hand.
10. Your Capsules are now ready.

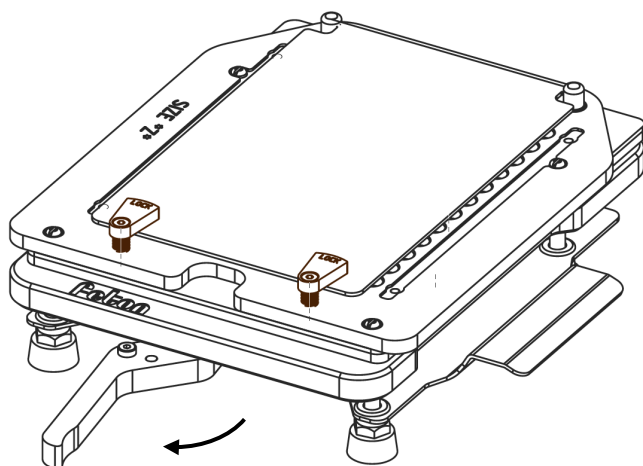
1



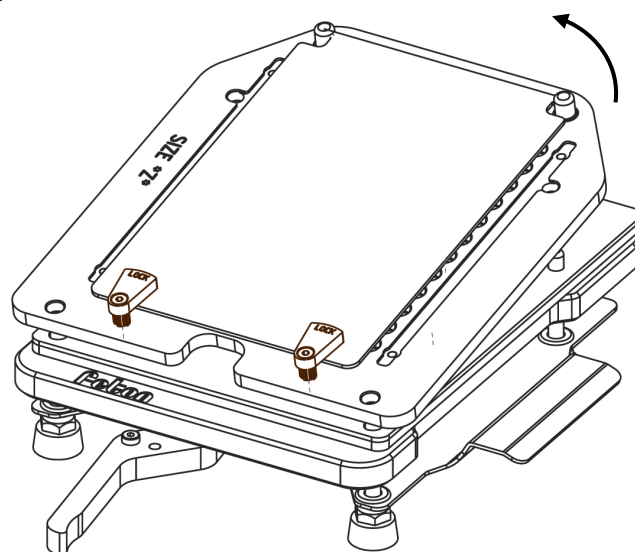
2



3



4



Feton International sprl
8, rue de la Croix du Maieur
7110 Strépy-Bracquognies
Belgium

For the Pharmacist's expertise
Feton[®]
International
www.feton.com

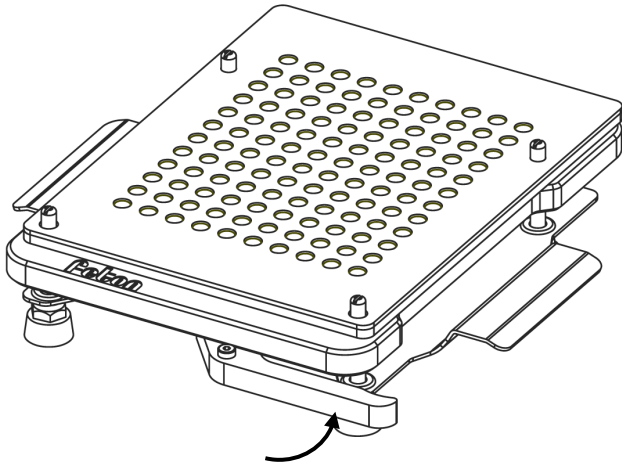
+32 (0) 2 420 52 00
contact@feton.com
www.feton.com

DEC 2019 – Version 1.4 – Sheet 6 of 8

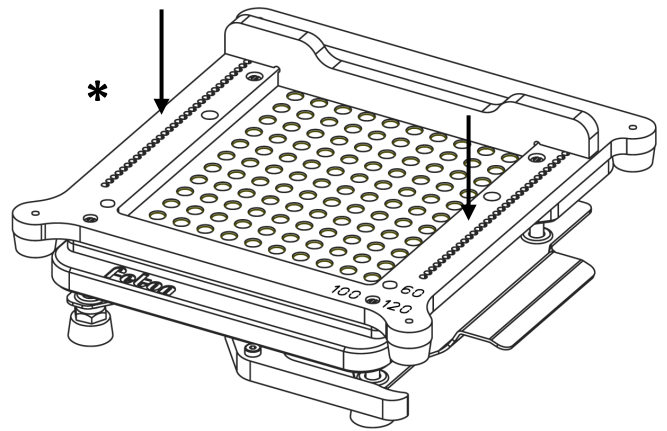
Full Metal Filler 100/120 – Datasheet

For high-output productions

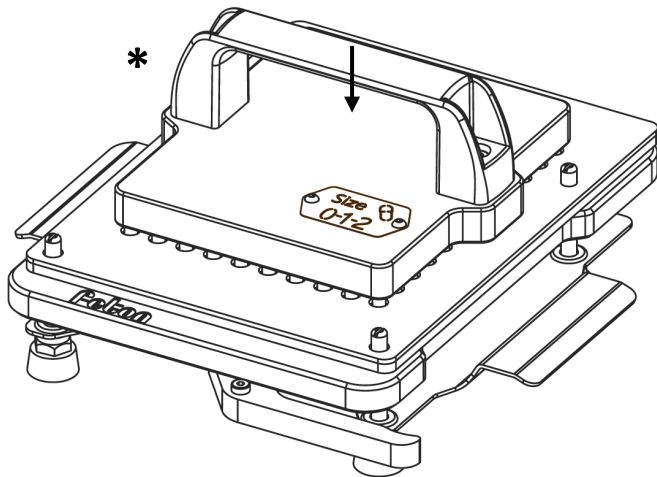
5



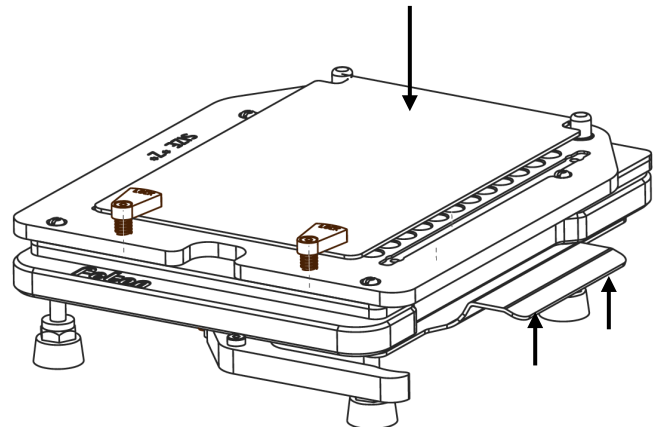
6



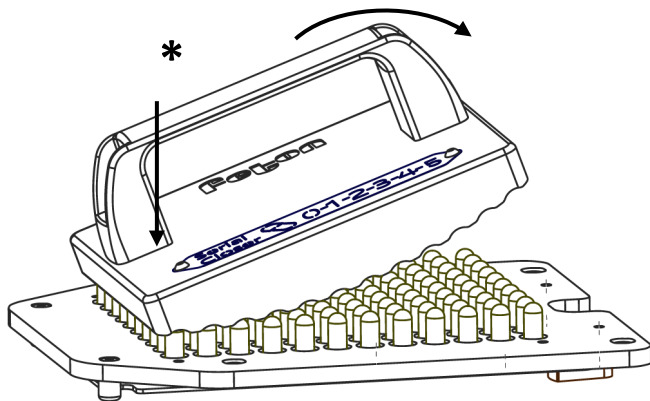
7



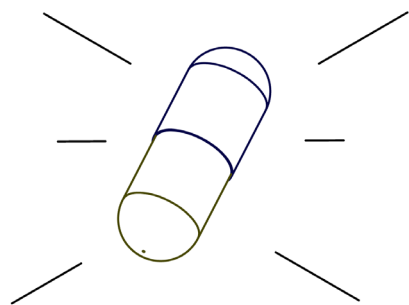
8



9



10



* Optional accessory

Feton International sprl
8, rue de la Croix du Maieur
7110 Strépy-Bracquognies
Belgium

For the Pharmacist's expertise
Feton[®]
International
www.feton.com

+32 (0) 2 420 52 00
contact@feton.com
www.feton.com

Full Metal Filler 100/120 – Datasheet

For high-output productions

5. How to wash

It is important to wash the parts in contact with the capsules or the powder thoroughly between each use to avoid contamination. Washing can be done by hand, in a dishwasher or in an autoclave. If done by hand, use warm water and soap.

Use a temperature of up to 110°C / 230°F for all the metallic parts.

Use a temperature of up to 40°C / 104°F for all the plastic parts.

If you have difficulties washing the inside of holes on the plates, use a brush:

