

Full Metal Filler 200/300/400 – Datasheet

For high-outputs productions

1. Product presentation

- Each machine does one single capsule size.
- Only metallic plates and frame.
- Fill Capsule sizes 000, 00, 0, 1, 2, 3 and 4.
- No adjustment necessary.
- 200, 300 and 400 Capsules capacity.
- Very robust design.
- Easy to wash.

Filler capacity:

Capsule size:

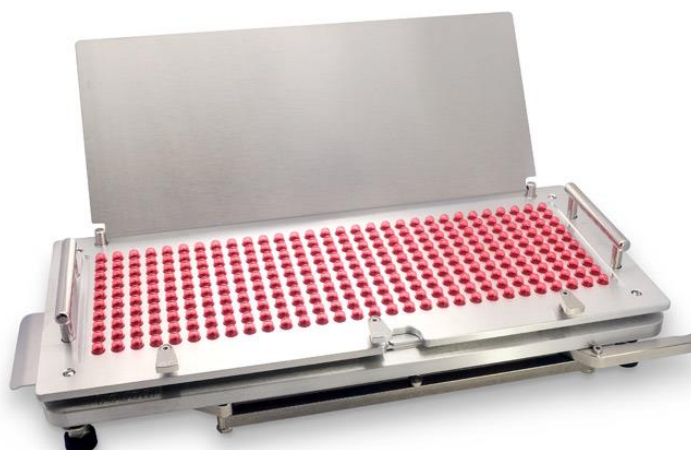
Serial:

Full Metal 200:



For the Pharmacist's expertise
Feton
International
www.feton.com

Full Metal 300:



For the Pharmacist's expertise
Feton
International
www.feton.com

Feton International sprl
8, rue de la Croix du Maïeur
7110 Strépy-Bracquognies
Belgium

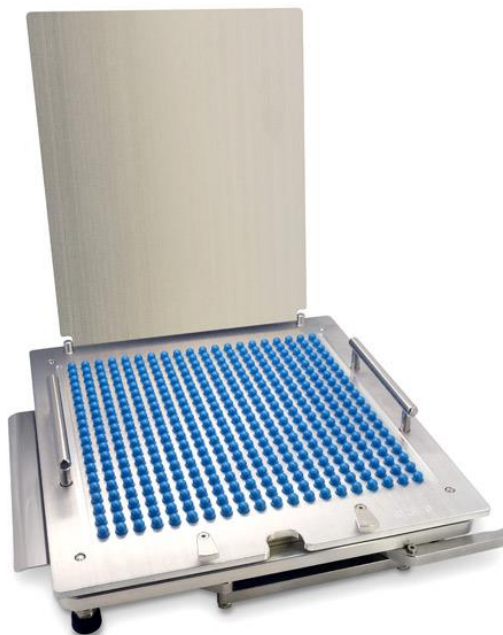
For the Pharmacist's expertise
Feton
International
www.feton.com

+32 (0) 2 420 52 00
contact@feton.com
www.feton.com

Full Metal Filler 200/300/400 – Datasheet

For high-outputs productions

Full Metal 400:



2. Safety information and disclaimer

All material should be cleaned before every use.

Many parts are heavy and might cause injury if mishandled or in case of fall.

Always work on a stable and flat surface, at a height that is comfortable to work while standing. Have sufficient free space around the machine that you are working with.

The filling being manual, results may vary depending on the user. Other factors can influence the results such as but not limited to: type of power, number of tamps, filling weight, capsule size, vibration type and intensity. It is the responsibility of the user to make sure the prescribed dose is respected. Feton International is not responsible for wrong dosing.

Illustrations, descriptions and specifications are not contractual and are subject to change without prior notice.

Feton International sprl declines all liability in the event of improper use of its products.

Feton International sprl
8, rue de la Croix du Maieur
7110 Strépy-Bracquegnies
Belgium



+32 (0) 2 420 52 00
contact@feton.com
www.feton.com

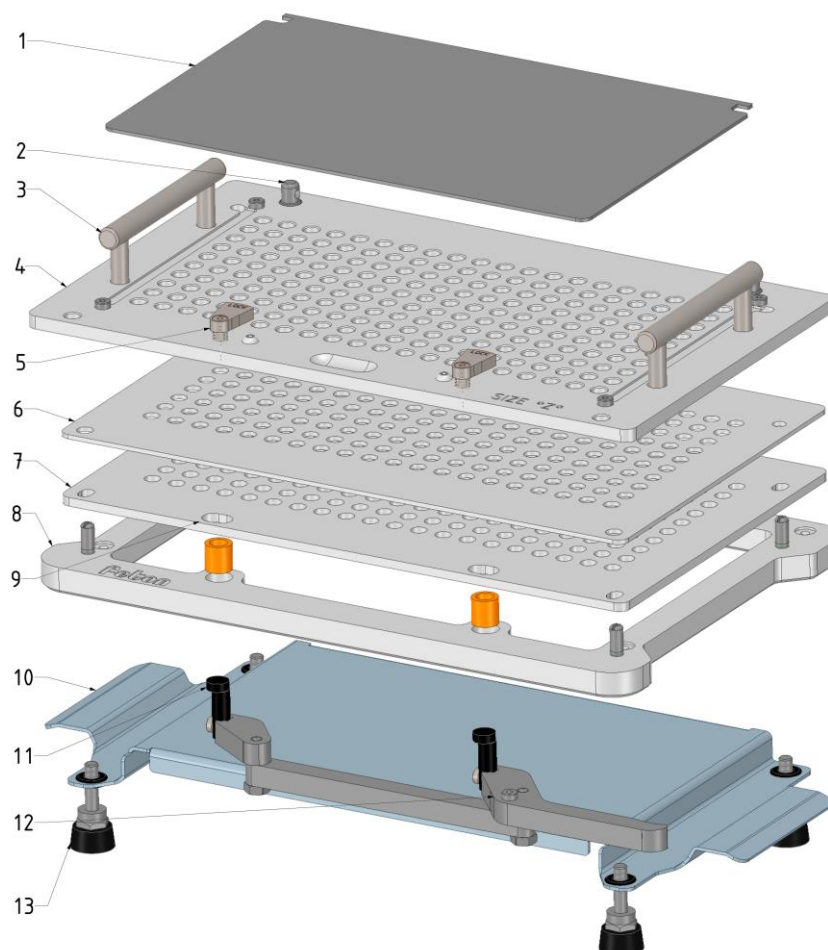
Full Metal Filler 200/300/400 – Datasheet

For high-outputs productions

3. Technical data

3.1 Components list and Materials

Note: The Filler presented in the images below is the 200-size. The same names and principles apply for the 300- and 400-sizes.



| Item N° | Quantity | Name | Material |
|---------|------------------------|---------------|---------------------|
| 1 | 1 | Lid | 316 Stainless Steel |
| 2 | 2 | Hinge | 304 Stainless Steel |
| 3 | 1 | Handle | 316 Stainless Steel |
| 4 | 1 | Top Plate | Anodised Aluminium |
| 5 | 2 (200-400) or 3 (300) | Lock | 316 Stainless Steel |
| 6 | 1 | Filling Plate | 316 Stainless Steel |
| 7 | 1 | Bottom Plate | 316 Stainless Steel |
| 8 | 1 | Frame | 316 Stainless Steel |
| 9 | 2 | Bushing | Bronze |
| 10 | 1 | Base Plate | 316 Stainless Steel |
| 11 | 2 | Eccentric Pin | 316 Stainless Steel |
| 12 | 1 | Lever | 316 Stainless Steel |
| 13 | 4 | Foot | Rubber |

Feton International sprl
8, rue de la Croix du Maieur
7110 Strépy-Bracquegnies
Belgium



+32 (0) 2 420 52 00
contact@feton.com
www.feton.com

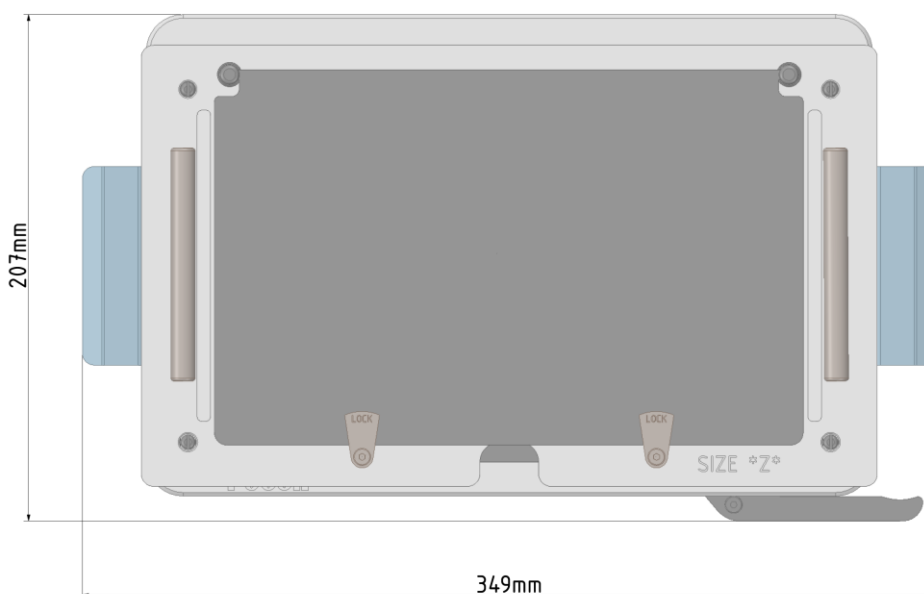
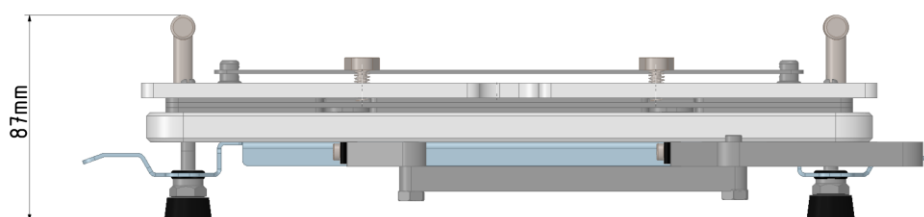
Full Metal Filler 200/300/400 – Datasheet

For high-outputs productions

3.2 Full Metal 200

| | |
|------------------------|------------------|
| Number of Capsules | 200 |
| Capsules Sizes options | 000-00-0-1-2-3-4 |
| Weight | 5,8kg |

Dimensions:



Feton International sprl
8, rue de la Croix du Maieur
7110 Strépy-Bracquenies
Belgium



+32 (0) 2 420 52 00
contact@feton.com
www.feton.com

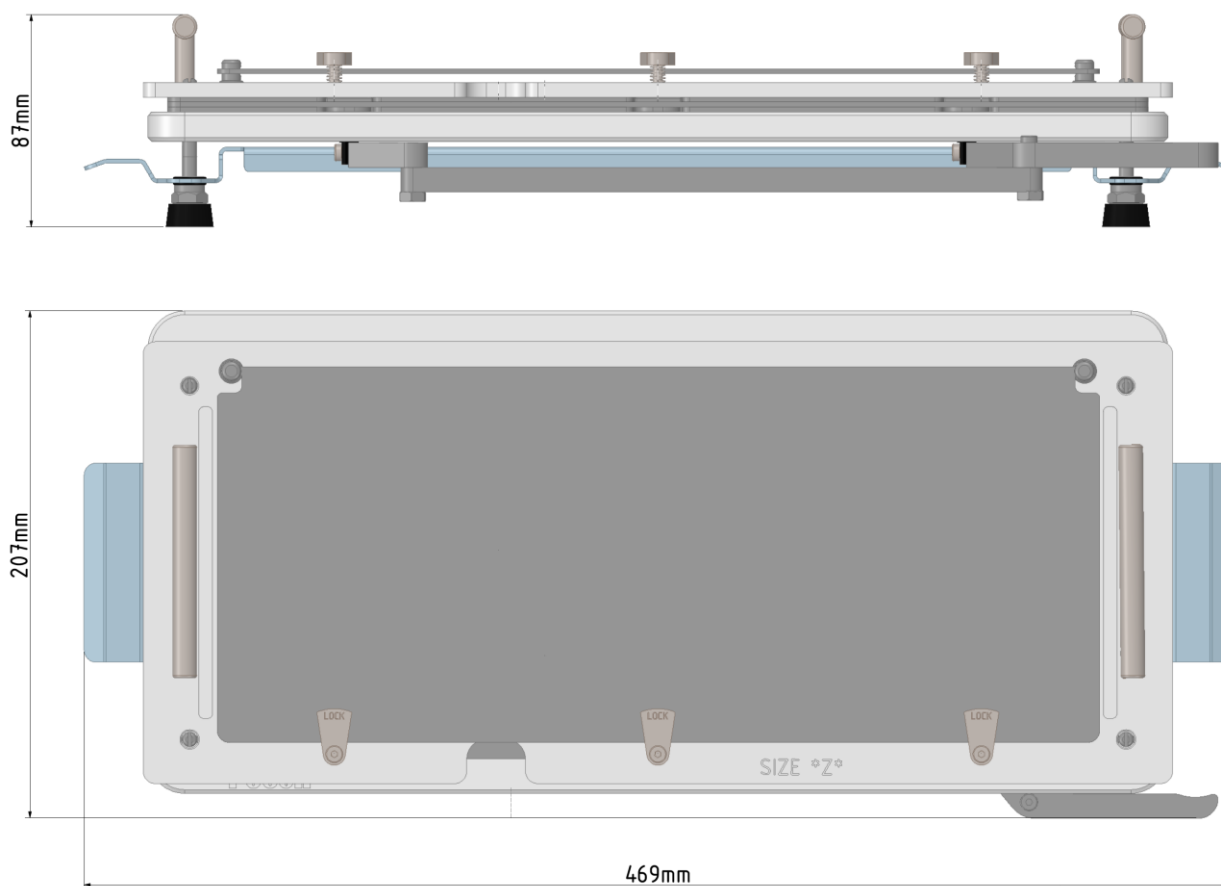
Full Metal Filler 200/300/400 – Datasheet

For high-outputs productions

3.3 Full Metal 300

| | |
|------------------------|--------------|
| Number of Capsules | 300 |
| Capsules Sizes options | 00-0-1-2-3-4 |
| Weight | 7,8kg |

Dimensions:



Feton International sprl
8, rue de la Croix du Maieur
7110 Strépy-Bracquegnies
Belgium



+32 (0) 2 420 52 00
contact@feton.com
www.feton.com

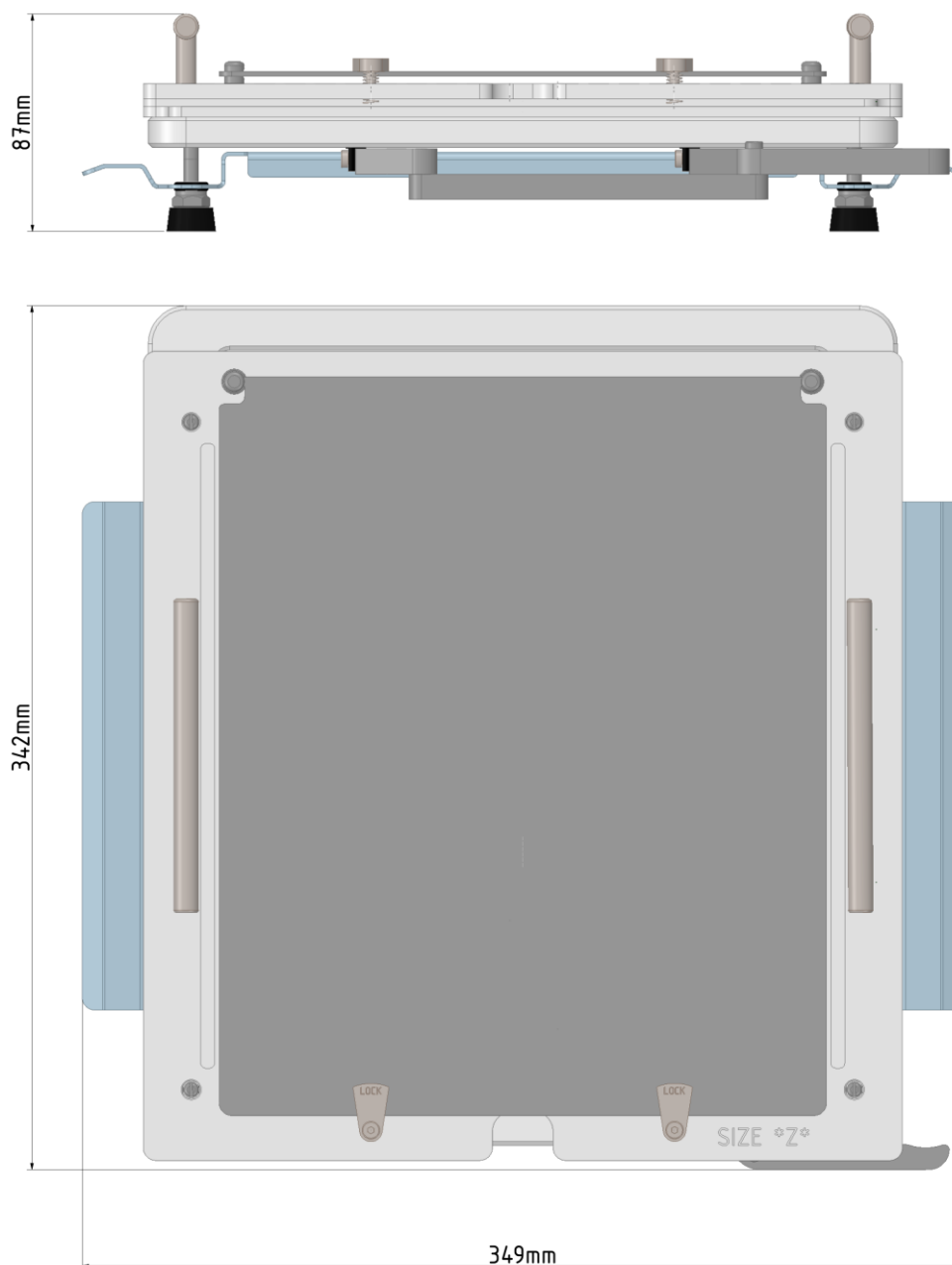
Full Metal Filler 200/300/400 – Datasheet

For high-outputs productions

3.4 Full Metal 400

| | |
|------------------------|--------------|
| Number of Capsules | 400 |
| Capsules Sizes options | 00-0-1-2-3-4 |
| Weight | 9,8kg |

Dimensions:



Feton International sprl
8, rue de la Croix du Maieur
7110 Strépy-Bracquegnies
Belgium

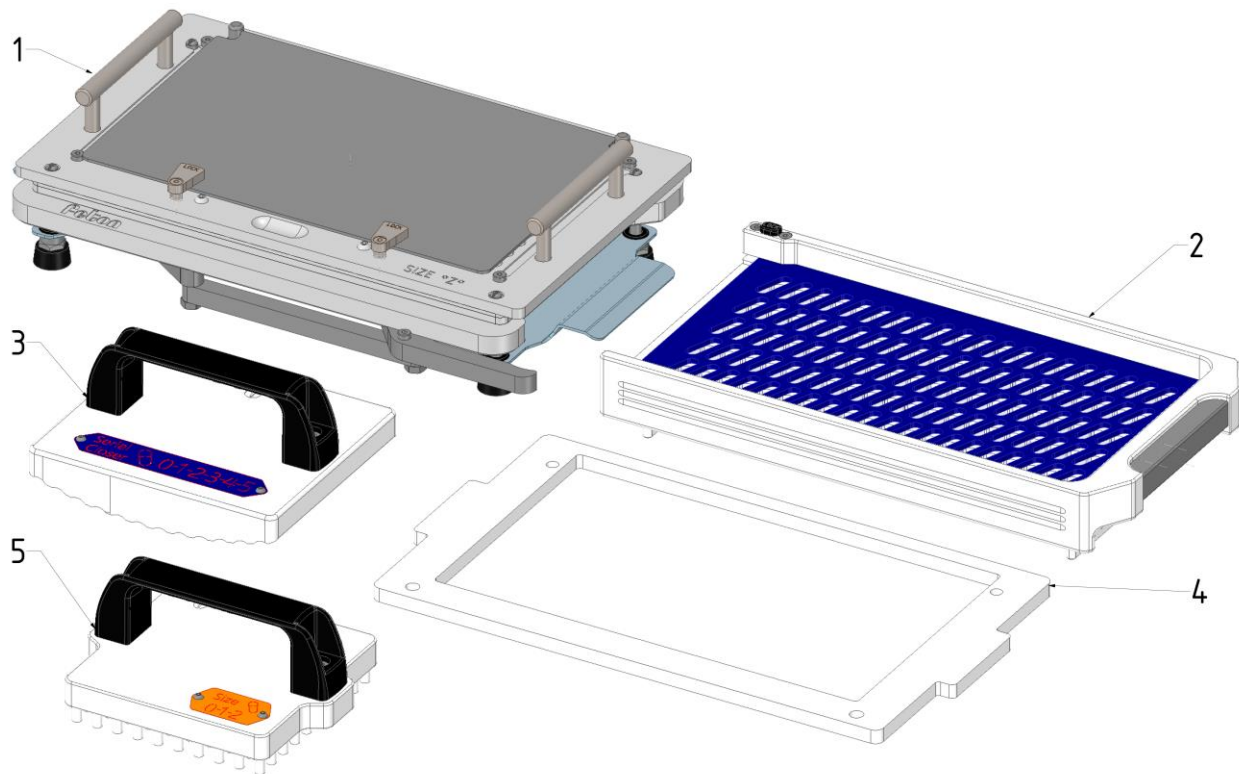


+32 (0) 2 420 52 00
contact@feton.com
www.feton.com

Full Metal Filler 200/300/400 – Datasheet

For high-outputs productions

4. How to use



| Item N° | Quantity | Name | Material |
|---------|----------|---------------------------|--------------|
| 1 | 1 | Capsule Filler | See 3.1 |
| 2 | 1 | Capsule Loader (optional) | POM and PMMA |
| 3 | 1 | Serial Closer (optional) | POM |
| 4 | 1 | Powder Stop | PMMA |
| 5 | 1 | Tamper (optional) | POM |

NOTE : Operate your capsule filler at least one time without filling the capsules (steps 3-4-5-8) at the start of every preparation. This will allow you to check that everything is working correctly.

See table below for visual instructions.

1. Prepare your material. Install the plates in this order: Bottom Plate, Filling Plate, Top Plate.
2. Load the Capsules. Please refer to the Loader datasheet for detailed instructions.
3. Pull the Lever to lock the Capsules' bodies.
4. Pull the Top Plate upwards, starting from the back side for easier separation. Push with your palms on the Handles and pull with the fingers on the Top Plate.
5. Release the Lever. If needed, push on the Capsules's bodies so that they are flush with the Filling Plate.
6. Fill the Capsules. Use of a Powder Stop is optional.

Feton International sprl
8, rue de la Croix du Maieur
7110 Strépy-Bracquegnies
Belgium



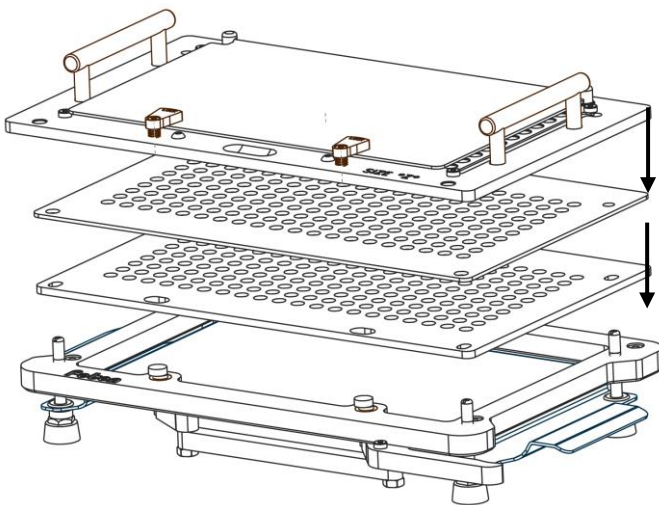
+32 (0) 2 420 52 00
contact@feton.com
www.feton.com

Full Metal Filler 200/300/400 – Datasheet

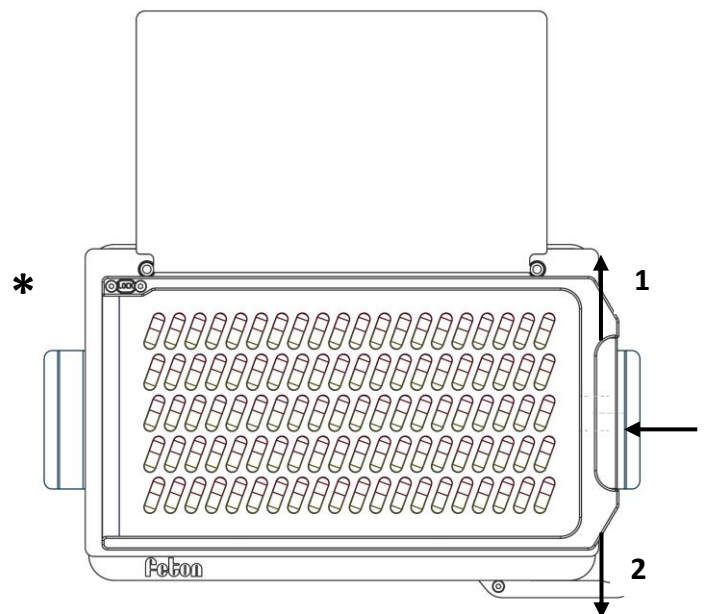
For high-outputs productions

7. If needed, you can use a Tamper to push the powder into the Capsules to be able to fill a higher volume.
8. Place the Top Plate. Pull the Base Plate to push the Capsules' bodies into the Capsules' heads. The capsules are now "pre-closed".
9. Take the Top Plate and turn it upside down on your table. If you have a Serial Closer, use it to close the Capsules in two, three or four motions (depending on if you have a 200, 300 or 400). If you do not have a Serial Closer, close the capsules by hand.
10. Your Capsules are now ready.

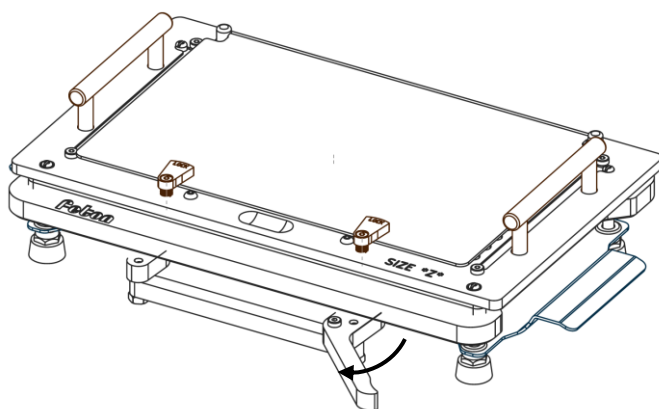
1



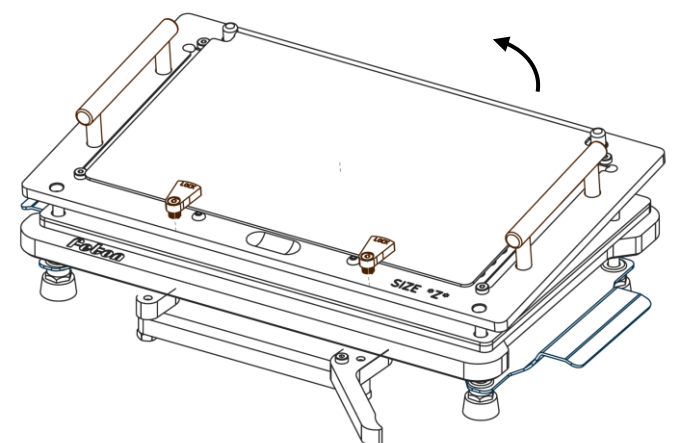
2



3



4



Fetion International sprl
8, rue de la Croix du Maieur
7110 Strépy-Bracquognies
Belgium

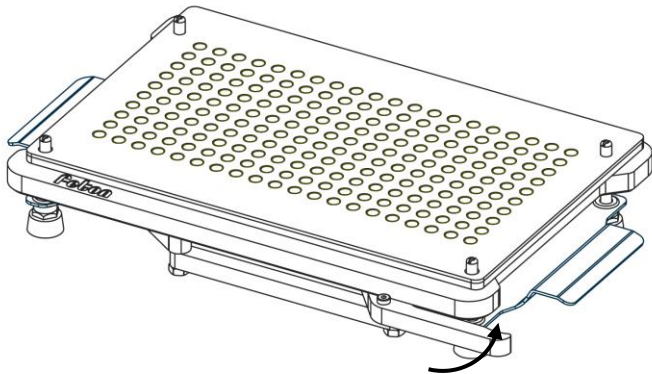


+32 (0) 2 420 52 00
contact@fetion.com
www.fetion.com

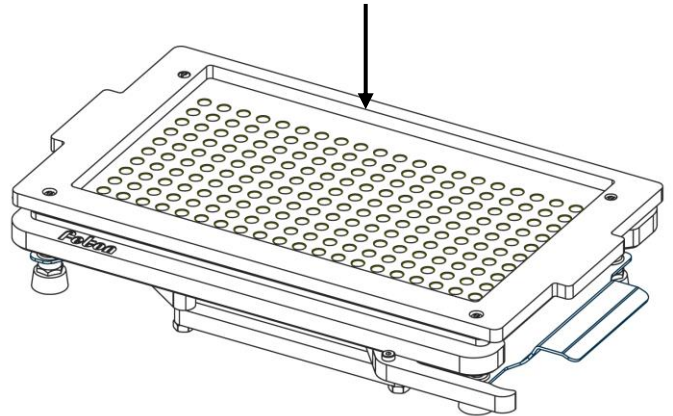
Full Metal Filler 200/300/400 – Datasheet

For high-outputs productions

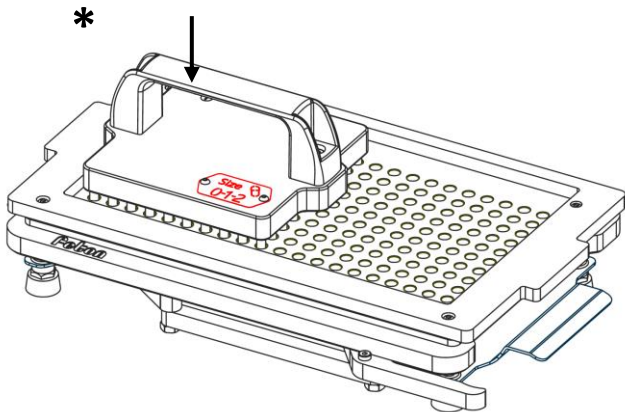
5



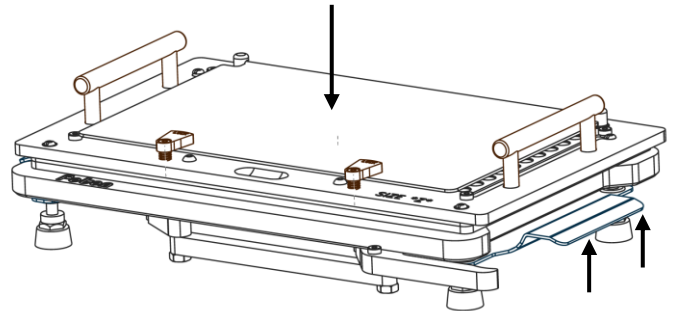
6



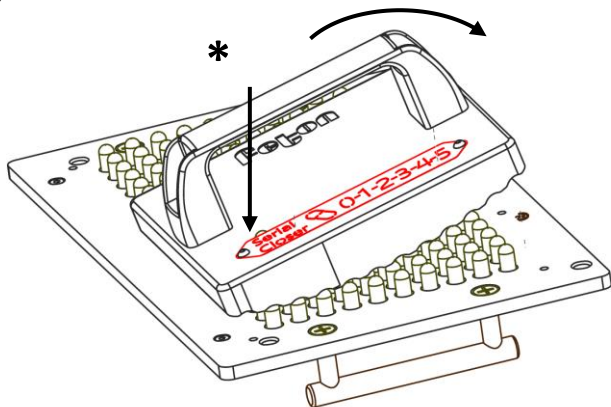
7



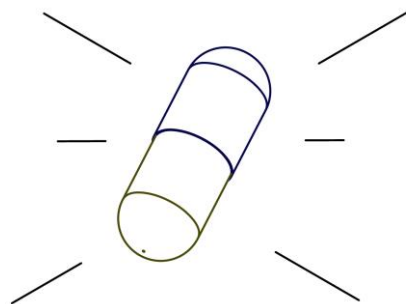
8



9



10



* Optional accessory

Feton International sprl
8, rue de la Croix du Maieur
7110 Strépy-Bracquognies
Belgium

For the Pharmacist's expertise
Feton[®]
International
www.feton.com

+32 (0) 2 420 52 00
contact@feton.com
www.feton.com

MAY 2019 – Version 1.4 – Sheet 9 of 10

Full Metal Filler 200/300/400 – Datasheet

For high-outputs productions

5. How to wash

It is important to wash the parts in contact with the capsules or the powder thoroughly between each use to avoid contamination. Washing can be done by hand, in a dishwasher or in an autoclave. If done by hand, use warm water and soap.

Use a temperature of up to 110°C / 230°F for all the metallic parts.

Use a temperature of up to 40°C / 104°F for all the plastic parts.

If you have difficulties washing the inside of holes on the plates, use a brush:

