



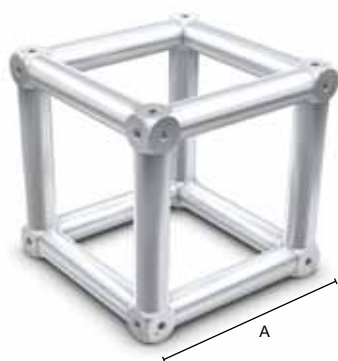
Multicubes

Connected



Multicubes for M222 – M950 and 4GS–35

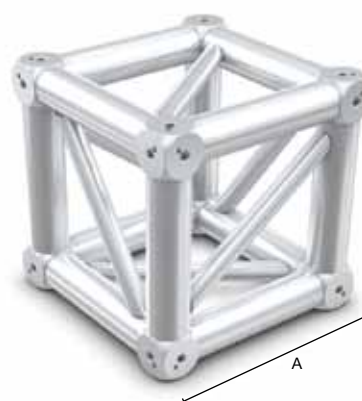
- The perfect solution for production house stock inventory
- Integrated location holes for quick set-up & re-configuration
- Light, regular & heavy-duty versions available (M290 / M390 only)
- Heavy-duty cubes enable maximum loading capacity from your trusses
- Male & female receiver accessories available
- Flexible use
- Profiled tube with thread



MULTICUBE FOR M222 QUATRO SERIES

Series	Code	mm	in	A	B	kg	lbs
M222	QC-M222			222.0 (8.74)	-	2.4 (5.28)	

Suitable fittings: CON85M|FemalePin or CON77M|MalePin



Heavy-Duty

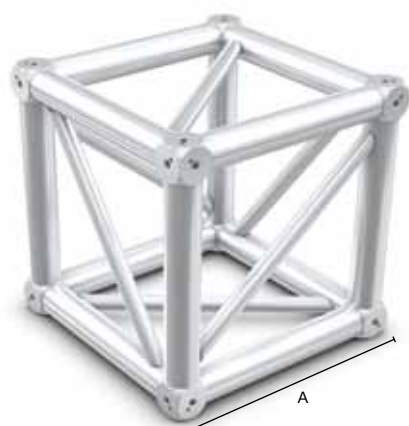


Regular

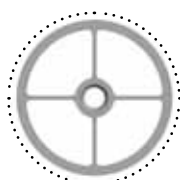
MULTICUBE FOR M290 QUATRO SERIES

Series	Code	mm	in	A	B	kg	lbs
M290	QC-M290B			289.2 (11.39)	-	5.0 (11.02)	
M290	QC-M290B-HD			289.2 (11.39)	-	8.1 (17.85)	

Suitable fittings: CON63B|MalePin or CON64B|FemalePin



Heavy-Duty

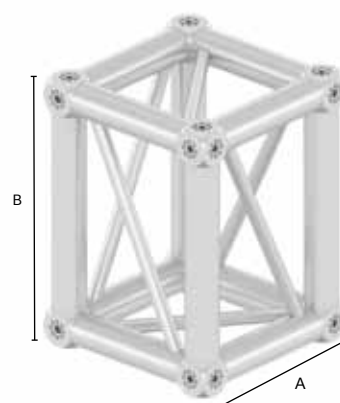


Regular

MULTICUBE FOR M390 QUATRO SERIES

Series	Code	mm	in	A	B	kg	lbs
M390	QC-M390K			388.4 (15.29)	-	6.0 (12.25)	
M390	QC-M390K-HD			388.4 (15.29)	-	11.1 (24.47)	

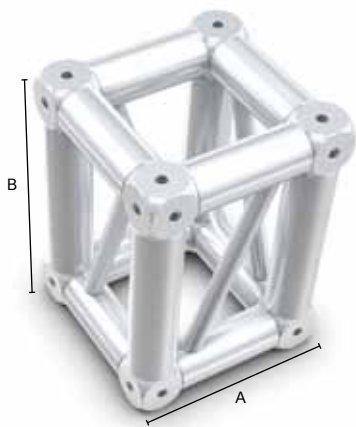
Suitable fittings: CON63B|MalePin or CON64B|FemalePin



MULTICUBE FOR M290X390 RECT SERIES

Series	Code	mm	in	A	B	kg	lbs
M290x390	QC-M290/390			288.4 (11.35)	388.4 (15.29)	7.0 (15.4)	

Suitable fittings: CON63B|MalePin or CON64B|FemalePin



MULTICUBE FOR M400 RECT SERIES

Series	Code	A	B	kg	lbs
M400 RECT	RC-M400	264.9 (10.43)	357 (14.06)	12.5 (27.50)	

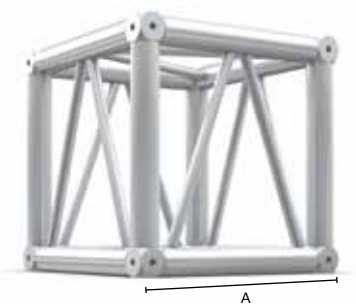
Suitable fittings: CON470|Female



MULTICUBE FOR M400 QUATRO SERIES

Series	Code	A	B	kg	lbs
M400 QUATRO	QC-M400	357.0 (14.06)		15.4 (33.88)	

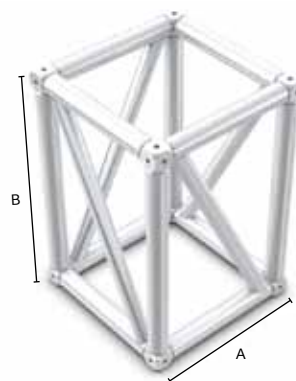
Suitable fittings: CON470|Female



MULTICUBE FOR M520 QUATRO SERIES

Series	Code	A	B	kg	lbs
M520 QUATRO	QC-M520	527.7 (20.78)		24.5 (53.90)	

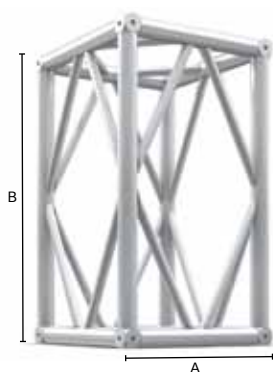
Suitable fittings: CON470|Female



MULTICUBE FOR M760 RECT SERIES

Series	Code	A	B	kg	lbs
M760 RECT	QC-M760	527.7 (20.78)	769.7 (30.28)	29.4 (64.80)	

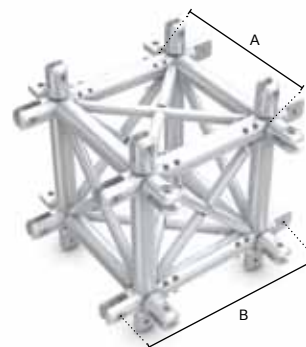
Suitable fittings: CON470|Female



MULTICUBE FOR M950 RECT SERIES

Series	Code	A	B	kg	lbs
M950 RECT	QC-M950	578.5 (22.78)	1000.0 (39.37)	36.2 (79.64)	

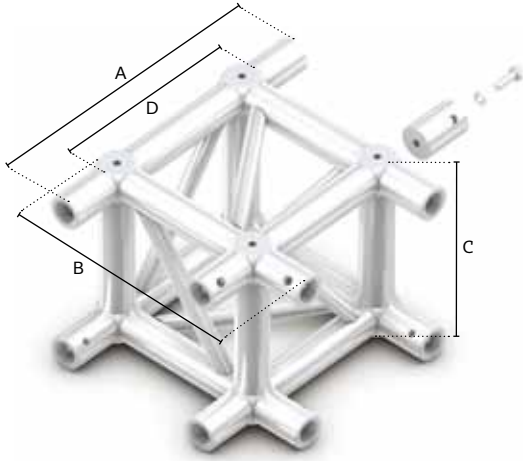
Suitable fittings: CON470|Female



MULTICUBE FOR 4GS-35 SERIES

Series	Code	A	B	kg	lbs
4GS-35	QC-4GS-35	384.0 (15.12)	447.0 (17.60)	16.9 (37.18)	

Suitable fittings: CON470|Female

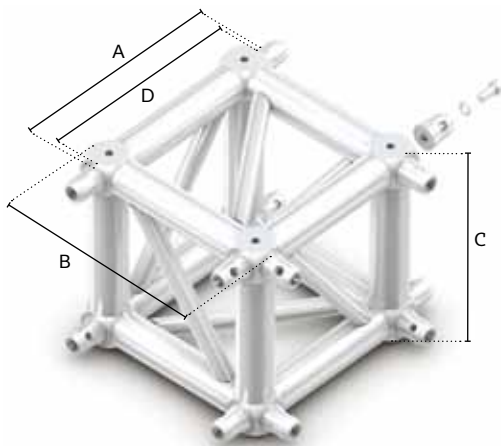


DIMENSIONS - FOR FEMALE CONNECTOR USE

Cube type	A	B	C	D
M222	322.0 (12.68)	272.0 (10.71)	222.0 (8.74)	222.0 (8.74)
M290	439.2 (17.29)	364.2 (14.34)	289.2 (11.39)	289.2 (11.39)
M390	538.4 (21.20)	463.4 (18.24)	388.4 (15.29)	388.4 (15.29)
M290x390	438.4 (17.25)	363.4 (14.30)	388.4 (15.29)	288.4 (11.35)
M400	537.0 (21.14)	447.0 (17.60)	357.0 (14.06)	357.0 (14.06)
M400 RECT	445.0 (7.52)	354.9 (13.97)	357.0 (14.06)	264.9 (10.43)
M520	707.7 (27.86)	617.7 (24.32)	527.7 (20.76)	527.7 (20.76)
M760	707.7 (27.86)	617.7 (24.32)	769.7 (30.30)	527.7 (20.76)
M950 RECT	757.7 (29.83)	667.7 (26.29)	999.2 (39.34)	577.7 (22.74)

FEMALE CONNECTORS

Cube type	CON code	Female connector	Bolt	Washer	Shoulder length
M222	CON85M FemalePin	M Multicube	M10x25 ALLEN	d10.2/18.1	50.0 (1.97)
M290	CON64B FemalePin	B Multicube-K6x10	M12x35 HEX	d12.2/21	75.0 (2.95)
M390	CON64F FemalePin	F Multicube-K6x10	M12x35 HEX	d12.2/21	75.0 (2.95)
M290x390	CON64U FemalePin	U Multicube-K6x10	M12x35 HEX	d12.2/21	75.0 (2.95)
M400 M520 M760 M950	CON470 Female	O Multicube	M16x40 HEX	d16.2/27.4	90.0 (3.54)

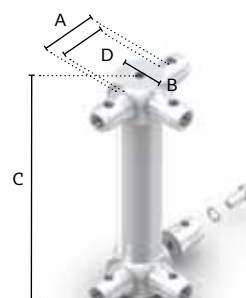
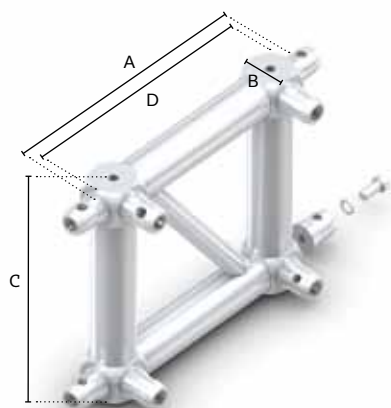


DIMENSIONS - FOR MALE HALF CONNECTOR USE

Cube type	A	B	C	D
M222	224.0 (8.82)	223.0 (8.78)	222.0 (8.74)	222.0 (8.74)
M290	291.2 (11.46)	290.2 (11.43)	289.2 (11.39)	289.2 (11.39)
M390	390.4 (15.37)	389.4 (15.33)	388.4 (15.29)	388.4 (15.29)
M290x390	290.4 (11.43)	289.4 (11.39)	388.4 (15.29)	288.4 (11.35)

MALE HALF CONNECTORS

Cube type	CON code	Male connector	Bolt	Washer	Shoulder length
M222	CON62	MM-D10-steel	M10x16 ALLEN; 8.8	d10.2/16	1.0 (0.04)
M290	CON63B FemalePin	BM/D12-steel-K6x10	M12x25 ALLEN; 10.9	d12.2/18	1.0 (0.04)
M390	CON63F FemalePin	FM/D12-steel-K6x10	M12x25 ALLEN; 10.9	d12.2/18	1.0 (0.04)
M290x390	CON63U FemalePin	UM/D12-steel-K6x10	M12x25 ALLEN; 10.9	d12.2/18	1.0 (0.04)



DIMENSIONS - FOR MALE CONNECTOR USE - TYPE QC/BC

Cube type	A	B	C	D
QC/BC-M222	224.0 (8.82)	33.8 (1.33)	222.0 (8.74)	222.0 (8.74)
QC/BC-M290	291.2 (11.47)	50.6 (1.99)	289.2 (11.39)	289.2 (11.39)
QC/BC-M390	390.4 (15.37)	50.6 (1.99)	388.4 (15.29)	388.4 (15.29)

DIMENSIONS - FOR MALE CONNECTOR USE - TYPE BC

Cube type	A	B	C	D
BC-M222	34.8 (1.37)	33.8 (1.33)	222.0 (8.74)	32.8 (1.29)
BC-M290	51.6 (2.03)	50.6 (1.99)	289.2 (11.39)	49.6 (1.95)
BC-M390	51.6 (2.03)	50.6 (1.99)	388.4 (15.29)	49.6 (1.95)

MALE HALF CONNECTORS

Cube type	CON code	Male connector	Bolt	Washer	Shoulder length
M222	CON62	MM-D10-steel	M10x16 ALLEN; 8.8	d10.2/16	1.0 (0.04)
M290	CON63B\FemalePin	BM/D12-steel-K6x10	M12x25 ALLEN; 10.9	d12.2/18	1.0 (0.04)
M390	CON63F\FemalePin	FM/D12-steel-K6x10	M12x25 ALLEN; 10.9	d12.2/18	1.0 (0.04)

NOTE:

Female and male connectors supplied separate from multicubes. To calculate the number of connectors required, determine how many directions (ways) the cube is to be configured and multiply this number by 4. (i.e. 4-way junction requires 16 connectors)