

## 672 SERIES TWO-PIECE COMPANION FLANGE CLASS 150 LEAD-FREE

### APPLICATIONS

- Potable water
- HVAC water-based systems
  - Condensers, chilled water, hydronic heating
- Vacuum & compressed air systems
- Residential & commercial construction

### MATERIALS & CONSTRUCTION

- Steel companion flange (powder coated) with copper solder tube adapter
- Flange powder-coating creates a barrier between the steel and copper, which resists galvanic corrosion
- Low sulfur peroxide cured EPDM component is bonded to the powder coated flange and creates a physical barrier
- NIBCO wrought copper fittings are naturally lead free and made from commercially pure copper mill products per ASTM B75 C12200
- EPDM sleeve adapter support for ease of assembly

*The NIBCO® 672 Series Flange is used to connect two copper tubes together or to connect copper tube to a valve, providing support and strength to the piping.*

FIRE PROTECTION

**672**  
3/4" - 8"

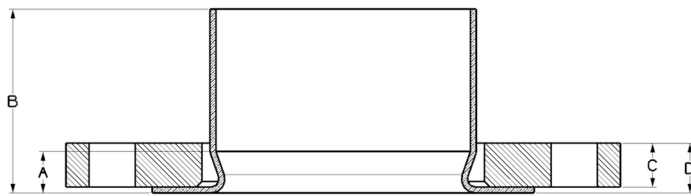


### DESIGN CRITERIA

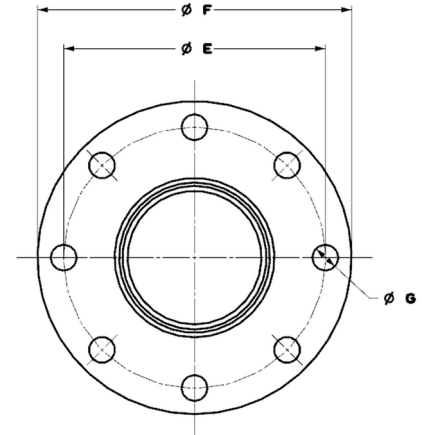
- For use with types K, L and M copper tube
- 200 PSI non-shock CWP
- 275°F maximum operating temperature (non-steam)
- For use with ASTM B88 copper tube
- Third-party certified to NSF/ANSI 61 and 372
- Dezincification-resistant
- Available in 3/4" through 8" sizes
- Mounting holes to match ASME B16.5

SIZE	MATERIAL No.	DESCRIPTION
3/4"	9405305	672 3/4" CLASS 150 2-PC COMPANION FLANGE
1"	9405355	672 1" CLASS 150 2-PC COMPANION FLANGE
1 1/4"	9405405	672 1-1/4" CLASS 150 2-PC COMPANION FLANGE
1 1/2"	9405455	672 1-1/2" CLASS 150 2-PC COMPANION FLANGE
2"	9405505	672 2" CLASS 150 2-PC COMPANION FLANGE
2 1/2"	9405555	672 2-1/2" CLASS 150 2-PC COMPANION FLANGE
3"	9405605	672 3" CLASS 150 2-PC COMPANION FLANGE
4"	9405705	672 4" CLASS 150 2-PC COMPANION FLANGE
5"	9405755	672 5" CLASS 150 2-PC COMPANION FLANGE
6"	9405805	672 6" CLASS 150 2-PC COMPANION FLANGE
8"	9405855	672 8" CLASS 150 2-PC COMPANION FLANGE

# 672 Series – Class 150 Two-Piece Companion Flange



Section - Front View



Top View

SIZE		DIMENSIONS (INCHES)							WEIGHTS	
In.	mm	A	B	C	D	E	F	G	Lbs.	Kg.
¾"	20	1/4	1	7/16	17/32	2-3/4	3-7/8	5/8	1.38	0.625
1"	25	11/32	1-1/4	1/2	19/32	3-1/4	4-1/4	5/8	1.86	0.842
1 ¼"	32	7/32	1-3/16	9/16	21/32	3-1/2	4-5/8	5/8	2.42	1.099
1 ½"	40	11/32	1-7/16	5/8	3/4	3-7/8	5	5/8	3.01	1.364
2"	50	7/16	1-25/32	5/8	3/4	4-3/4	6	3/4	4.56	2.067
2 ½"	65	5/8	2-1/8	5/8	25/32	5-1/2	7	3/4	6.21	2.816
3"	80	15/32	2-5/32	5/8	25/32	6	7-1/2	3/4	7.18	3.255
4"	100	21/32	2-31/32	23/32	7/8	7-1/2	9	3/4	10.78	4.892
5"	125	29/32	3-19/32	3/4	29/32	8-1/2	10	7/8	14.10	6.394
6"	150	1-1/16	4-5/32	7/8	1-1/32	9-1/2	11	7/8	22.38	10.151
8"	200	1-7/16	1-5/8	7/8	1-3/32	11-3/4	13-1/2	7/8	32.34	14.671

**LEGEND:**

**A** = bottom of raised face to tube stop  
**B** = overall height/length of flange  
**C** = flange thickness

**D** = bottom of raised face to top of flange  
**E** = bolt circle diameter  
**F** = flange diameter  
**G** = bolt hole diameter

\*Lead Free refers to the wetted surface of pipe, fittings and fixtures in potable water systems that have a weighted average lead content ≤ 0.25% per the Safe Drinking Water Act (Sec. 1417) amended 1-4-2011 and other equivalent state regulations.