

Bronze Ball Valves

Three-Piece Body • Full Port • 6" Copper Stub Ends • Type K (straight) • Type L (expanded) •
Cleaned and Bagged for OX Service • 316SS Trim • Blowout-Proof



600 PSI/41.4 bar non-shock cold working pressure
200 PSI/13.8 bar for medical gas

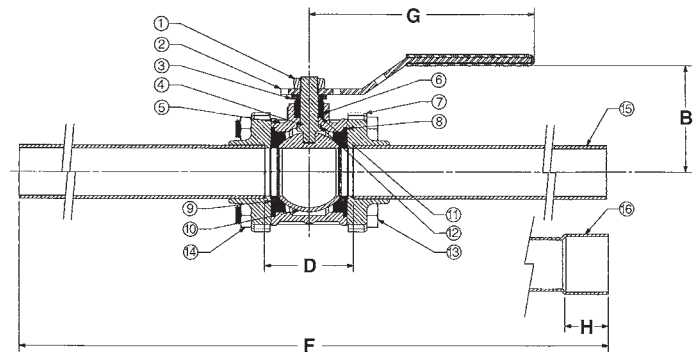
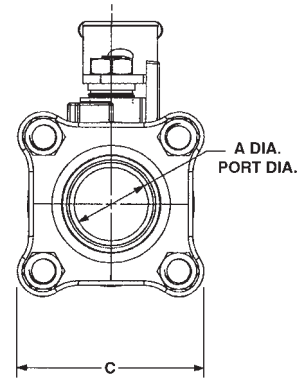
CONFORMS TO MSS SP-110

MATERIAL LIST

PART	SPECIFICATION
1. Handle Nut	Zinc Plated Steel
2. Handle	Zinc Plated Steel Clear Chromate Plastisol Coated
3. Threaded Pack Gland	Brass ASTM B 16 Alloy C36000
4. Stem	Stainless Steel ASTM A 276 Type 316
5. Body	Bronze ASTM B 584 Alloy C84400
6. Packing	PTFE
7. Body End (2)	Bronze ASTM B 584 Alloy C84400
8. O-Ring Seal (2)	Fluoroelastomer Rubber
9. Seat Ring (2)	PTFE
10. Ball	Stainless Steel ASTM A 276 Type 316 or ASTM A 351 Type CF8M
11. Ground Washer	Stainless Steel ASTM A 167 Type 304
12. Thrust Washer	Reinforced PTFE
13. Body Bolts	Zinc Dichromate Plated Steel ASTM A 449 Grade 5
14. Body Nuts	Zinc Dichromate Plated Steel ASTM A 449 Grade 5
15. Straight Stub Out (2)	6" Copper Tube Type K
16. Expanded Stub Out (2)	6" Copper Tube Type L (Specify EC)



CS-595-YX-66-EC
(316SS Trim)
Copper Stub Ends



CS-595-YX-66/CS-595-YX-66-EC
CSE x CSE

Note: valves are static grounded by a grounding washer. (not shown)

Testing

The CS-595-YX series are tested to MSS SP-110. For applications that require a 150 PSI dry nitrogen test, please contact NIBCO Technical Services.

MSS SP-110 Test parameters are as follows:

Shell Test = 80 PSI air under water for 5 seconds or 1.5 x CWP hydrostatic for 15 seconds.

Seat Test = 80 PSI air under water for 5 seconds or 1.1 CWP hydrostatic for 15 seconds.

Oxygen Cleaning

NIBCO's internal cleaning procedure for cleaned and bagged bronze ball valves meets the requirements of NFPA99 and CGA Pamphlet G-4-1.

Medical Gas Service

NFPA 99 sets a maximum operating limit for medical gases of 185 PSI.

DIMENSIONS—WEIGHTS—QUANTITIES

Size	Dimensions								CS-595-YX-66/EC		Master Ctn. Qty.
	A	B	C	D	F	G	H	Lbs.	Kg.		
In. mm.	In. mm.	In. mm.	In. mm.	In. mm.	In. mm.	In. mm.	In. mm.	In. mm.	In. mm.		
½	15 .50	13 1.69	43 1.81	46 1.11	28 13.11	333 3.91	99 1.50	13 1.22	.55	10	
¾	20 .75	19 2.00	51 1.94	50 1.41	36 13.41	341 4.66	118 .75	19 2.25	1.02	10	
1	25 1.00	25 2.25	57 2.50	64 1.81	46 13.81	351 4.66	118 .91	23 3.23	1.47	10	
1¼	32 1.25	32 2.79	40 2.69	68 1.96	50 13.96	355 6.69	170 .97	25 4.41	2.00	4	
1½	40 1.50	38 2.97	75 3.00	76 2.39	61 14.39	366 6.69	170 1.09	28 6.61	3.00	4	
2	50 2.00	51 3.63	92 4.00	102 3.04	77 15.04	382 6.69	170 1.34	34 11.67	5.29	4	

OXYGEN SERVICE OPTION AVAILABLE

WARNING: This product can expose you to chemicals including lead, which is known to the State of California to cause cancer and birth defects or other reproductive harm. For more information go to www.P65Warnings.ca.gov. Visit our website for the most current information.