

Class 125 All Iron Trim Iron Body Gate Valves

Bolted Bonnet • Non-Rising Stem • Solid Wedge

200 PSI/13.8 bar non-shock cold working pressure to -20° F to 150° F/-29° C to 66° C*

Maximum working temperature 450°F/232°C at 125 PSI/8.6 bar

125 PSI/8.6 bar saturated steam to 353° F/178° C

CONFORMS TO MSS SP-70

MATERIAL LIST

PART	SPECIFICATION
1. Handwheel Nut	Steel ASTM A563
2. Identification Plate	Aluminum
3. Handwheel	Cast Iron ASTM A126 Class B
4. Stem	Steel ASTM A 108 12L14 Electroless NI-PI
5. Gland Follower Nut	Steel ASTM A563
6. Gland Follower	Ductile Iron ASTM A536
7. Gland Follower Bolt	Steel ASTM A307/SAE J429
8. Packing Gland	Zinc Plated Powdered Iron ASTM B783
9. Stuffing Box	Cast Iron ASTM A126 Class B
10. Packing	Aramid Fibers / Graphite
11. Stuffing Box Gasket	Graphite/SST
12. Bonnet	Cast Iron ASTM A126 Class B
13. Body Bolt	Steel ASTM A307/SAE J429
14. Body Gasket	Graphite/SST
15. Body Nut	Steel ASTM A563
16. Seat Ring	Cast Iron ASTM A126 Class B
17. Wedge	Cast Iron ASTM A126 Class B
18. Body	Cast Iron ASTM A126 Class B
19. Stuffing Box Nut	Steel ASTM A563 (not shown)

NOTE: 1. NIBCO may substitute Ductile Iron ASTM A395 (60-40-18) for ASTM A126 Class B Cast Iron for the Body, Bonnet, Wedge, or Disc. NIBCO may substitute Ductile Iron ASTM A395 (60-40-18) or ASTM A536 (65-45-12) for all other ASTM A126 Class B Cast Iron components.

2. Sizes 2" to 12" have Aramid Fibers/Graphite packings. Sizes 14" to 16" have wire reinforced carbon yarn with resilient core with Graphite & Zinc finish.

DIMENSIONS—WEIGHTS—QUANTITIES

Size	Dimensions										Weight		
	A		B		C		D		E		Lbs.	Kg.	
In. mm.	In. mm.	In. mm.	In. mm.	In. mm.	In. mm.	In. mm.	In. mm.	In. mm.	In. mm.	In. mm.	Lbs.	Kg.	
2	50	7.00	178	11.00	279	7	178	6.00	152	.63	16	35	16
2½	65	7.50	191	12.50	318	7	178	7.00	178	.94	17	49	22
3	80	8.00	203	13.50	343	8	203	7.50	191	.75	19	60	27
4	100	9.00	229	15.75	400	10	254	9.00	229	.94	24	90	41
5	125	10.00	254	17.00	432	10	254	10.00	254	.94	24	129	59
6	150	10.50	267	21.00	533	12	305	11.00	279	1.00	25	161	73
8	200	11.50	292	25.00	635	14	356	13.50	343	1.13	29	277	126
10	250	13.00	330	29.00	737	16	406	16.00	406	1.19	30	415	188
12	300	14.00	356	34.50	876	18	457	19.00	483	1.25	32	631	287
14*	350	15.00	381	40.38	1026	20	508	21.00	533	1.38	35	869	394
16*	400	16.00	407	45.75	1162	22	559	23.50	597	1.44	37	1224	555

* 14"-16" sizes rated to 100 PSI maximum steam service, 150 PSI Non-Shock Cold Working Pressure. For higher pressures, see F-639.

Position indicators available. See page 99.

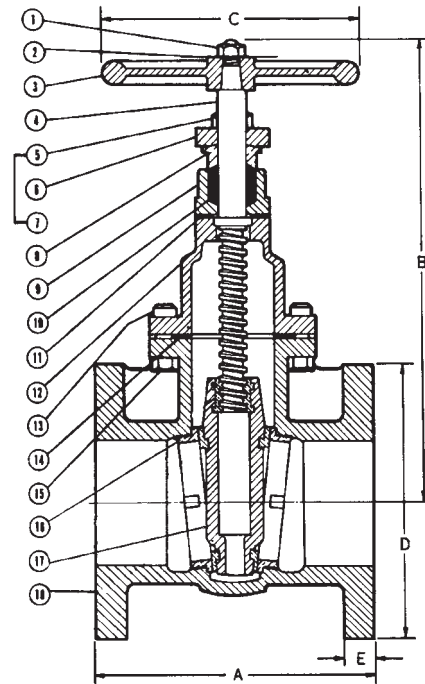
FREEZING WEATHER PRECAUTION: Subsequent to testing a piping system, valves should be left in an open position to allow complete drainage.

◆ For detailed Operating Pressure, refer to Pressure Temperature Chart on page 116.

Visit our website for the most current information.



F-619-N
Flanged



F-619-N
Flg x Flg



WARNING: This product can expose you to chemicals including lead, which is known to the State of California to cause cancer and birth defects or other reproductive harm. For more information go to www.P65Warnings.ca.gov.