

300/350 PSI WWP Iron Body Gate Valves

Fire Protection Valve • Bolted Bonnet • Outside Screw and Yoke • Solid Wedge • Class 250 Flanges

300/350 PSI/20.7/24 Bar Non-Shock Cold Water



CONFORMS TO MSS SP-70 • UL LISTED 350 PSI •
 FM APPROVED 300 PSI • APPROVED BY NEW YORK CITY
 M.E.A. 420-92-E VOL. 2 AT 350 PSI NON-SHOCK COLD WATER

MATERIAL LIST

PART	SPECIFICATION
1. Stem	Copper Alloy, ASTM B16 C36000
2. Nut, Handwheel	Cast Copper Alloy, ASTM B584 C84400
3. Handwheel, Orange	Cast Iron, ASTM A126-B
4. Bushing, Yoke	Cast Copper Alloy, ASTM B584 C84400
5. Screw, Hex - Bonnet Cap	Steel, ASTM A307 / SAE J429
6. Cap, Bonnet	Ductile Iron ASTM A536
7. Nut, Square - Bonnet Cap	Steel, ASTM A563
8. Bonnet	Cast Iron, ASTM A126-B
9. Nut, Heavy Hex - Gld Follow	Steel, ASTM A563
10. Gland Follower	Ductile Iron ASTM A536
11. Pack Gland	Powdered Metal ASTM B783
12. Pack Ring	Aramid Fibers / Graphite
13. Bolt, Sq Head - Gld Follow	Steel, ASTM A307 / SAE J429
14. Screw, Hex - Body	Steel, ASTM A307 / SAE J429
15. Gasket, Body	Reinforced Flexible Graphite
16. Nut, Hex - Body	Steel, ASTM A563
17. Collar, Stem	Copper Alloy, ASTM B16 C36000
18. Nut, Wedge	Cast Copper Alloy, ASTM B584 C84400
19. Pin, Wedge	Copper Alloy, ASTM B140 C31600
20. Wedge	Cast Iron, ASTM A126-B
21. Ring, Seat - Wedge	Cast Copper Alloy, ASTM B584 C84400
22. Ring, Seat - Body	Cast Copper Alloy, ASTM B584 C84400
23. Body	Cast Iron, ASTM A126-B

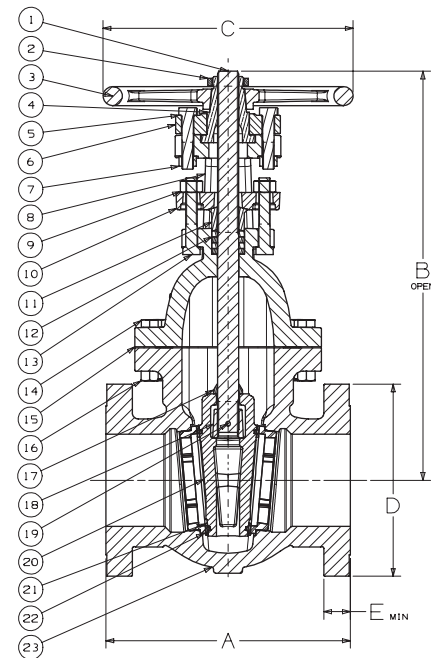
- ¹ Sizes thru 6", Yoke and Bonnet are intergral. 8" and 10" sizes separate Yoke is bolted to Bonnet.
- ² Sizes 2" thru 3" have Cast Copper Alloy Wedges. Sizes 4" thru 10" made with Cast Iron Wedge with Cast Copper Alloy Face Rings.
- ³ Cast Copper Wedge Nuts used on Sizes 5" thru 10".
- ⁴ 2 1/2" thru 8" have Aramid Fiber/Graphite packings. 10" has wire reinforced carbon yarn with resilient core/ Graphite & Zinc finish.

NOTE: Supervisory Switch Use Requires Modification to Stem.

NOTE: NIBCO may substitute Ductile Iron ASTM A395 (60-40-18) for ASTM A126 Class B Cast Iron for the Body, Bonnet, Wedge, or Disc. NIBCO may substitute Ductile Iron ASTM A395 (60-40-18) or ASTM A536 (65-45-12) for all other ASTM A126 Class B Cast Iron components.



F-697-0
Flanged



F-697-0
Flg x Flg

DIMENSIONS—WEIGHTS—QUANTITIES

Size	Dimensions										Weight		
	A		B		C		D		E		Lbs.	Kg.	
In. mm.	In.	mm.	In.	mm.	In.	mm.	In.	mm.	In.	mm.			
2½	65	9.50	241	18.17	462	8.00	203	7.50	191	1.00	25	74	34
3	80	11.12	282	21.46	545	10.25	260	8.25	210	1.12	28	122	55
4	100	12.00	305	23.53	598	10.25	260	10.00	254	1.25	32	193	88
6	150	15.87	403	33.62	854	16.25	413	12.50	318	1.44	37	411	187
8	200	16.50	419	45.84	1164	16.25	413	15.00	381	1.62	41	637	290
10	250	18.00	457	54.44	1383	20.00	508	17.50	445	1.87	47	897	408

FREEZING WEATHER PRECAUTION: Subsequent to testing a piping system, gate valves should be left in an open position to allow complete drainage.

WARNING: This product can expose you to chemicals including lead, which is known to the State of California to cause cancer and birth defects or other reproductive harm. For more information go to www.P65Warnings.ca.gov.

Visit our website for the most current information.