

# Class 125 Iron Body Check Valves

Bolted Bonnet • Horizontal Swing • Renewable Seat and Disc\*

200 PSI/13.8 bar non-shock cold working pressure to -20°F to 150°F/-29°C to 66°C\*

Maximum working temperature 450°F/232°C at 125 PSI/8.6 bar

125 PSI/8.6 bar saturated steam to 353°F/178°C

CONFORMS TO MSS SP-71 TYPE 1

## MATERIAL LIST

PART	SPECIFICATION
1. Body Bolt	Steel ASTM A307
2. Identification Plate	Aluminum
3. Bonnet	Cast Iron ASTM A126 Class B
4. Body Gasket	Graphite/SST
5. Body Nut	Steel ASTM A563
6. Side Plug	Brass ASTM B16 Alloy C36000
7. Hanger Pin	Brass ASTM B16 Alloy C36000
8. Hanger	Ductile Iron ASTM A536
9. <sup>1</sup> Disc	Brass ASTM B584 Alloy C84400 or ASTM A536 Ductile Iron with Brass Face Ring
10. Seat Ring	Brass ASTM B584 Alloy C84400
11. Disc Nut	Brass ASTM B16 Alloy C36000
12. Body	Cast Iron ASTM A126 Class B
13. <sup>1</sup> Disc Bolt	Brass ASTM B16 Alloy C36000
14. Disc Plate**	Cast Iron ASTM A126 Class B
15. Disc Cage**	Cast Iron ASTM A126 Class B

<sup>1</sup>2" thru 4" have Bronze ASTM B584 Disc.

5" thru 12" have Iron Disc with Bronze Disc Face Rings and Disc Bolt.

\*\*These items are not in the -B, only the -W and -Y.

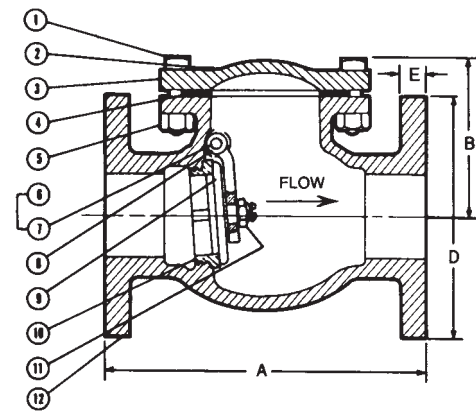
NOTE: NIBCO may substitute Ductile Iron ASTM A395 (60-40-18) for ASTM A126 Class B Cast Iron for the Body, Bonnet, Wedge, or Disc. NIBCO may substitute Ductile Iron ASTM A395 (60-40-18) or ASTM A536 (65-45-12) for all other ASTM A126 Class B Cast Iron components.



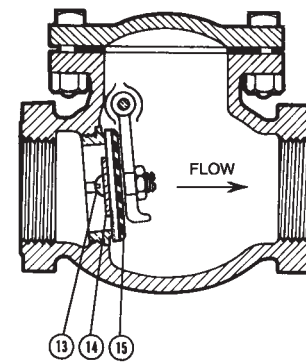
**F-918-B**  
Flanged



**T-918-B**  
Threaded



**F-918-B**  
Flg x Flg



**T-918**  
NPT x NPT  
Buna-N Disc Shown

## DIMENSIONS—WEIGHTS—QUANTITIES

Size	Dimensions										F-918-B		T-918-B		
	A		A		B		D		E		Lbs.	Kg.	Lbs.	Kg.	
In.	mm.	In.	mm.	In.	mm.	In.	mm.	In.	mm.	In.	mm.	Lbs.	Kg.	Lbs.	Kg.
2	50	8.00	203	6.50	165	3.94	100	6.00	152	.63	16	24	11	15	7
2½	65	8.50	216	7.50	191	4.50	114	7.00	178	.69	17	35	16	26	12
3	80	9.50	241	8.00	203	5.13	130	7.50	191	.75	19	47	21	31	14
4	100	11.50	292	9.38	238	6.13	156	9.00	229	.94	24	80	36	54	24
5	125	13.00	330	x	x	6.81	173	10.00	254	.94	24	100	45	80	36
6	150	14.00	356	x	x	8.00	203	11.00	279	1.00	25	146	66	121	54
8	200	19.50	495	x	x	9.44	240	13.50	343	1.13	29	274	124	x	x
10	250	24.50	622	x	x	12.06	306	16.00	406	1.19	30	426	193	x	x
12	300	27.50	699	x	x	16.13	410	19.00	483	1.25	32	675	306	x	x

Note: On pump discharge, the preferred check valves are:  
- inline, spring assisted, center-guided, lift checks  
- spring assisted twin (double) disc  
- swing design with lever and weight or lever and spring

\*Proper machining facilities required.

2½" thru 12" are available with lever and weight or lever and spring.

Install 5 pipe diameters minimum downstream from pump discharge or changes in direction to avoid flow turbulence. Flow straighteners may be required in extreme cases.

NIBCO Iron Body Check Valves may be installed in both horizontal and vertical lines with upward flow or in any intermediate position.

Warning – Do Not Use For Reciprocating Air Compressor Service.

Warning: Swing checks are not recommended for vertical installation in NPS 4 or larger.

♦ For detailed Operating Pressure, refer to Pressure Temperature Chart on page 116.

Visit our website for the most current information.



**WARNING:** This product can expose you to chemicals including lead, which is known to the State of California to cause cancer and birth defects or other reproductive harm. For more information go to www.P65Warnings.ca.gov.