

# Class 150 Ductile Iron Body Swing Check Valves

Raised Face Flanges • Bolted Bonnet • 316 Stainless Steel Trim

**285 PSI/19.7 bar non-shock cold working pressure to -20° F to 100° F/-29° C to 38° C\***

**Maximum working temperature 450°F/232°C at 185 PSI/12.8 Bar**

**150 PSI/10.3 bar saturated steam to 366°F/186°C**



NSF/ANSI/CAN 61  
NSF/ANSI/CAN 372

CERTIFIED LEAD-FREE\* TO NSF/ANSI-61-8 (INCLUDES ANNEX F AND G) AND NSF/ANSI-372 • CONFORMS TO MSS SP-136

## MATERIAL LIST

PART	SPECIFICATION
1. Bolt	Steel ASTM A193 B7/SAE J429 Grade 8
2. Identification Plate	Aluminum
3. Bonnet	Ductile Iron ASTM A395
4. Body Gasket	Graphite/SST
5. Nut	Steel ASTM A194 2H/SAE J995 Grade 8
6. Side Plug	Stainless Steel ASTM A193 B8M
7. Hanger Pin	Stainless Steel ASTM A276
8. Hanger	Ductile Iron ASTM A395
9. Disc <sup>1</sup>	Stainless Steel ASTM A351 CF8M
10. Seat Ring	Stainless Steel ASTM A351 CF8M
11. Disc Nut	Stainless Steel ASTM A351 CF8M
12. Body	Ductile Iron ASTM A395
13. Disc Bolt <sup>1</sup>	Stainless Steel UNS S31600

<sup>1</sup>2"-4" stainless steel disc

<sup>1</sup>5"-12" ductile iron disc with SST disc face ring and disc bolt

## DIMENSIONS—WEIGHTS—QUANTITIES

Size	Dimensions								Weight		
	A		B		D		E		Lbs.	Kg.	
In.	mm.	In.	mm.	In.	mm.	In.	mm.	In.	mm.		
2	50	8.00	203	3.94	100	6.00	152	.63	16	24	11
2½	65	8.50	216	4.50	114	7.00	178	.69	17	35	16
3	80	9.50	241	5.13	130	7.50	191	.75	19	47	21
4	100	11.50	292	6.13	156	9.00	229	.94	24	80	36
5	125	13.00	330	6.81	173	10.00	254	.94	24	100	46
6	150	14.00	356	8.00	203	11.00	279	1.00	25	146	66
8	200	19.50	495	9.44	240	13.50	343	1.13	29	274	125
10	250	24.50	622	12.06	306	16.00	406	1.19	30	426	194
12	300	27.50	699	16.13	410	19.00	483	1.25	32	655	298

Lever and Weight/Spring Options available only in 3", 4" and 6". (see page 102)

Note: On pump discharge, the preferred check valves are:

- inline, spring assisted, center-guided, lift checks
- spring assisted twin (double) disc
- swing design with lever and weight or lever and spring

Install 5 pipe diameters minimum downstream from pump discharge or changes in direction to avoid flow turbulence. Flow straighteners may be required in extreme cases.

NIBCO® Check Valves may be installed in both horizontal and vertical lines with upward flow or in any intermediate position.

WARNING: Do not use for Reciprocating Air Compressor Service.

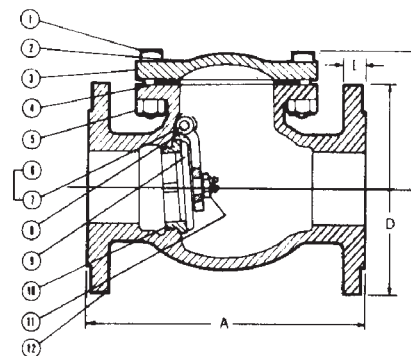
Warning: Swing checks are not recommended for vertical installation in NPS 4 or larger.

♦ For detailed Operating Pressure, refer to Pressure Temperature Chart on page 116.

**WARNING:** This product can expose you to chemicals including lead, which is known to the State of California to cause cancer and birth defects or other reproductive harm. For more information go to [www.P65Warnings.ca.gov](http://www.P65Warnings.ca.gov).



**F-938-33**  
Flanged-Raised Face



**F-938-33**  
Flg x Flg

\*Weighted average lead content ≤ 0.25%

Visit our website for the most current information.