

Lead-Free* Class 125/250 Iron Body Silent Check Valves

Flanged • Globe Style • Renewable Seat and Disc • Spring Actuated (1 / 2 PSI cracking pressure)

¹Class 125, 200 PSI/13.8 bar non-shock cold working pressure

²Class 250, 400 PSI/27.6 bar non-shock cold working pressure

Maximum temperature to 200°F/93°C

CERTIFIED LEAD-FREE* BY WQA TO NSF/ANSI 372 •

NSF/ANSI 61 CERTIFIED BY UL •

CONFORMS TO MSS SP-125 • CONFORMS TO MIL-V-18436F •

FM APPROVED — 2½" thru 10" ONLY (F-910-B-LF)



C USA
COMPONENT LEAD-FREE



WATER QUALITY NSF 61 CERTIFIED



F-910-LF, 125 lb. Class
F-960-LF, 250 lb. Class
Flanged

MATERIAL LIST

PART	SPECIFICATION
1. Body	Cast Iron ASTM 126 Class B
2. Seat (B)	Bronze ASTM B584 Alloy C87600
2a. Seat (W)	with Buna-N O-ring
3. Disc	2½" - 10" - Bronze ASTM B584 Alloy C87600 12" - 36" - Class 250 Alloy ASTM B148 C95500
4. Spring	Stainless Steel ASTM A313 UNS S31600
5. Bushing	Aluminum Bronze B505 C95400
6. Set Screws†	Stainless Steel Type 316 ASTM F879

DIMENSIONS—WEIGHTS

Size	Dimensions		F-910-LF		F-960-LF		
	In.	mm.	Lbs.	Kg.	Lbs.	Kg.	
2½	65	5.50	140	24	11	30	14
3	80	6.00	152	29	13	36	16
4	100	7.25	184	42	19	59	27
5	125	8.50	216	52	24	78	35
6	150	9.75	248	73	33	103	47
8	200	12.50	318	126	57	179	81
10	250	15.50	394	205	93	253	115
12	300	14.25	362	306	139	401	182
14	350	15.75	400	350	172	511	232
16	400	17.63	448	501	227	697	316
18	450	18.75	476	724	328	959	435
20	500	20.63	524	890	404	1180	535
24	600	24.00	610	1220	553	1680	762
30	750	29.25	743	2000	907	2375	1077
36	900	45.00	1143	4421	2005	5511	2500

¹14" - 36" sizes - Class 125, 150 psi/10.3 bar CWP

²14" - 36" sizes - Class 250, 300 psi/20.7 bar CWP

† 2½" - 12" : No Set Screws

NOTE: F-910-LF made to 125 lb. Flange dimensions.
F-960-LF made to 250 lb. Flange dimensions.

A Wafer Style Butterfly Valve can be mated on the down stream side of the F-910-LF 2½"-10" sizes without use of spacers or adapters. 316 Stainless Steel Trim available – Consult Factory.

USE THIS VALVE ONLY WITH FLAT FACE FLANGE AND FULL FACE GASKET.

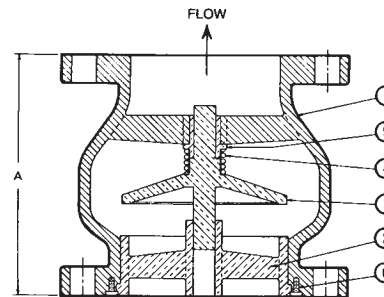
WARNING: 1. Seat end of valves 14" and larger must be mated to a standard flat faced metal flange. Rubber flanges not acceptable.
2. These are not to be used as steam valves.
3. Valves are not to be used near a reciprocating air compressor.
4. Do not install in vertical line with downward flow.

Note: On pump discharge, the preferred check valves are:
- inline, spring assisted, center-guided, lift checks
- spring assisted twin (double) disc
- swing design with lever and weight or lever and spring

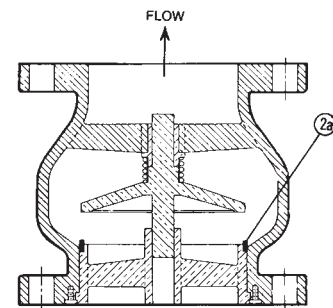
Install 5 pipe diameters minimum downstream from pump discharge or changes in direction to avoid flow turbulence. Flow straighteners may be required in extreme cases.

*Weighted average lead content ≤ 0.25%

Visit our website for the most current information.



F-910-B-LF or F-960-B-LF
Flg x Flg Flg x Flg



F-910-W-LF or F-960-W-LF
Flg x Flg Flg x Flg



WARNING: This product can expose you to chemicals including lead, which is known to the State of California to cause cancer and birth defects or other reproductive harm. For more information go to www.P65Warnings.ca.gov.