

Bronze Ball Valves

Three-Piece Body • Full Port • Grooved End • 316SS Trim •
Blowout-Proof Stem • Vented Ball

600 PSI/41.4 bar non-shock cold working pressure



CONFORMS TO MSS SP-110

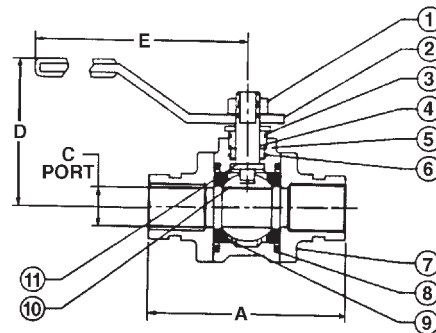
MATERIAL LIST

PART	SPECIFICATION
1. Handle Nut	Stainless Steel 300 Series
2. Handle	Zinc Plated Steel Clear Chromate Plastisol Coated
3. Threaded Pack Gland	Brass ASTM B 16 Alloy C36000
4. Stem	Stainless Steel ASTM A 276 Type 316
5. Body	Bronze ASTM B 584 Alloy C84400
6. Packing	PTFE
7. Body End (2)	Cast Bronze ASTM B 584 Alloy C84400
8. O-Ring Seal (2)	Fluorocarbon Rubber
9. Seat Ring (2)	PTFE
10. Ball (Vented)	Stainless Steel ASTM A 276 Type 316 or ASTM A 351 Type CF8M
11. Thrust Washer	Reinforced PTFE
12. Body Bolts	Zinc Dichromate Plated Steel ASTM A 449 Grade 5
13. Body Nuts	Zinc Dichromate Plated Steel ASTM A 449 Grade 5

Note: valves are static grounded by a grounding washer. (not shown)



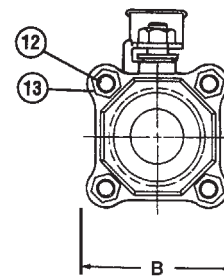
G-595-Y-66
Grooved



DIMENSIONS—WEIGHTS—QUANTITIES

Size	Dimensions						G-595-Y-66		Master Ctn.	Qty.				
	A	B	C	D	E	Lbs.	Kg.							
1½	40	5.87	149	3.00	76	1.50	38	2.97	75	6.69	170	6.02	2.73	10
2	50	6.64	169	4.00	102	2.00	51	3.63	92	6.69	170	10.48	4.76	4
2½	65	7.78	198	5.00	127	2.50	64	4.09	104	8.00	203	18.30	8.30	2

WARNING: This product can expose you to chemicals including lead, which is known to the State of California to cause cancer and birth defects or other reproductive harm. For more information go to www.P65Warnings.ca.gov.



G-595-Y-66
GRVD x GRVD

Visit our website for the most current information.