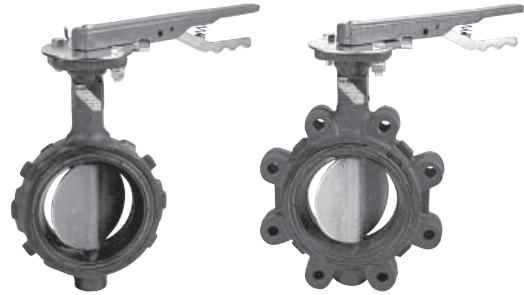


# Installation and Maintenance Guide for NIBCO Butterfly Valves with Rubber Seats



**LD1000/2000/7000/8000 Series**



**LD/WD2000/3000/5000 Series  
LC/WC2000 Series**



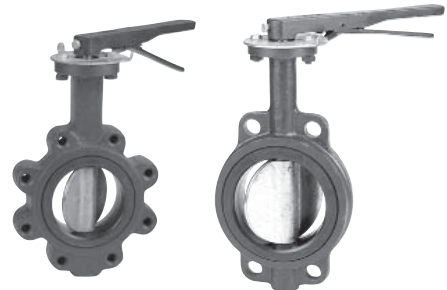
**LD/WD3500 Series**



**GD4700 Series**



**FC/FD2000 Series  
FC/FD5000 Series**



**N200 Series**

## INSTALLATION GUIDE FOR NIBCO BUTTERFLY VALVES

### I. SHIPMENT & STORAGE

NIBCO butterfly valves are individually boxed thru the 12" size. The 14" through 60" butterfly valves are shipped individually with the faces covered using cardboard or plywood to protect the flange sealing surfaces.

The disc is shipped in the nearly closed position to protect the sealing edge and prevents the liner from taking a temporary set. The stem bushings and disc edge have been coated with a factory-applied lubricant to prolong storage and service life.

Valves may be shipped or stored in any position. Storage should be limited to 10 years indoors with a temperature range of 40° F to 90° F.

### II. BUTTERFLY VALVE INSTALLATION GUIDELINES

NIBCO butterfly valves are bi-directional and may be installed with flow in either direction.

Flanged, lug and wafer style valves are designed and suitable for installation between ANSI Class 125 or 150 flanges. Cast iron flat-face, steel raised-face, both slip-on and weld-neck, and bronze or plastic flanges may be used (See Table I below). Generally raised face flanges should not be used with cast iron lug style valves (NIBCO N2002 and LC2000 series valves). Because of the unique seat design, NIBCO (2"-48") butterfly valves do not require the use of flange gaskets and can be used for dead end service without a downstream flange. Grooved style valves connect to metallic pipe of IPS per AWWA C606.

The valve can be installed in any horizontal or vertical position. If a choice of stem positions exists, the valve should be installed with the stem in the horizontal position; this will minimize seat wear by distributing the stem and disc weight evenly. Also, if the media is abrasive, the horizontal stem position is highly preferred.

These valves have been designed so that the disc, in the open position, will clear the inside diameter of schedule 40 and 80 steel pipe. Care should be taken when installing a butterfly valve adjacent to lined pipe, as-cast fittings, or schedule 80 plastic pipe. In some cases the disc in the opened position will interfere with the adjacent component.

Butterfly valves should be installed a minimum of six (6) pipe diameters from other line components. This is not always practical but it is important to design in as much distance as possible. Interference may occur when valves are installed directly to the outlet flange of a swing check, silent check, or reducing flange. Check valve and butterfly valve combinations are very popular; normally a short spool piece is required between the valves.

**II. BUTTERFLY VALVE INSTALLATION GUIDELINES** *cont.*

When using a valve with gear operator attached, it may be desirable to have the hand wheel positioned to allow easy access, or for use of an optional adjustable sprocket rim (chain wheel) for remote operation. Before valve installation, please review Gear Operator Installation and Handwheel Positioning section on page 3 of this booklet. These instructions illustrate how to orient the gear operator handwheel position in relation to the valve body and piping system. Pre-planning may save from having to remove a "just installed" valve and re-installing in another orientation.

**TABLE I**  
**Piping/Flange Inside Diameter Requirements**

| Valve Series | LD/WD/LC/WC<br>1000/2000/3000/5000        |  | LD7000/8000 Series                        |  | N200 Series                               |  |
|--------------|---|--|---|--|---|--|
| Valve Size   | Minimum Pipe/Flange ID for Disc Clearance | Maximum Pipe/Flange ID for Proper Seal | Minimum Pipe/Flange ID for Disc Clearance | Maximum Pipe/Flange ID for Proper Seal | Minimum Pipe/Flange ID for Disc Clearance | Maximum Pipe/Flange ID for Proper Seal |
| 2            | 2.00                                      | 2.49                                   | 1.31                                      | 2.43                                   | 1.38                                      | 2.24                                   |
| 2½           | 2.37                                      | 2.86                                   | 1.89                                      | 3.06                                   | 1.95                                      | 2.74                                   |
| 3            | 2.67                                      | 3.43                                   | 2.64                                      | 3.65                                   | 2.66                                      | 3.33                                   |
| 4            | 3.69                                      | 4.55                                   | 3.67                                      | 4.75                                   | 3.67                                      | 4.55                                   |
| 5            | 4.76                                      | 5.62                                   | 4.44                                      | 5.54                                   | 4.48                                      | 5.50                                   |
| 6            | 5.96                                      | 6.62                                   | 5.96                                      | 6.84                                   | 5.96                                      | 6.66                                   |
| 8            | 8.01                                      | 8.62                                   | 7.85                                      | 8.89                                   | 7.85                                      | 8.61                                   |
| 10           | 10.00                                     | 10.80                                  | 9.73                                      | 10.70                                  | 9.76                                      | 10.75                                  |
| 12           | 11.99                                     | 13.12                                  | 11.71                                     | 12.74                                  | 11.72                                     | 12.79                                  |
| 14           | 13.16                                     | 13.77                                  | 13.02                                     | 15.50                                  | —   | —                                      |
| 16           | 15.34                                     | 16.30                                  | 15.20                                     | 17.90                                  | —   | —                                      |
| 18           | 17.23                                     | 18.31                                  | 17.16                                     | 19.67                                  | —   | —                                      |
| 20           | 19.04                                     | 20.08                                  | 19.10                                     | 21.05                                  | —   | —                                      |
| 24           | 23.05                                     | 24.71                                  | 23.04                                     | 25.57                                  | —   | —                                      |
| 28           | —   | —                                      | 27.10                                     | 29.31                                  | —   | —                                      |
| 30           | 29.06                                     | 30.29                                  | 29.08                                     | 31.28                                  | —   | —                                      |
| 32           | —   | —                                      | 30.91                                     | 33.93                                  | —   | —                                      |
| 36           | 33.59                                     | 35.78                                  | 33.60                                     | 36.77                                  | —   | —                                      |
| 42           | 39.83                                     | 42.77                                  | 39.87                                     | 44.96                                  | —   | —                                      |
| 48           | 44.85                                     | 48.27                                  | 44.86                                     | 51.57                                  | —   | —                                      |
| 54           | —   | —                                      | 50.67                                     | 54.25                                  | —   | —                                      |
| 60           | —   | —                                      | 54.93                                     | 60.25                                  | —   | —                                      |

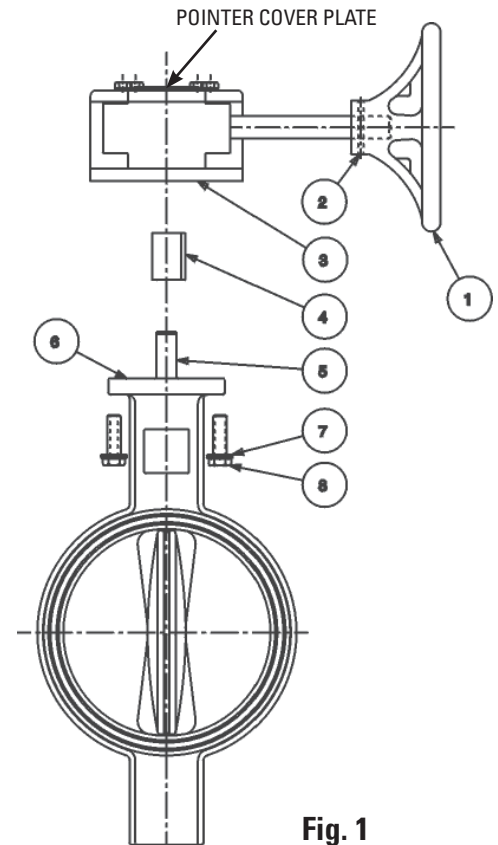
### III. GEAR OPERATOR INSTALLATION HANDWHEEL POSITIONING

**TABLE 2**

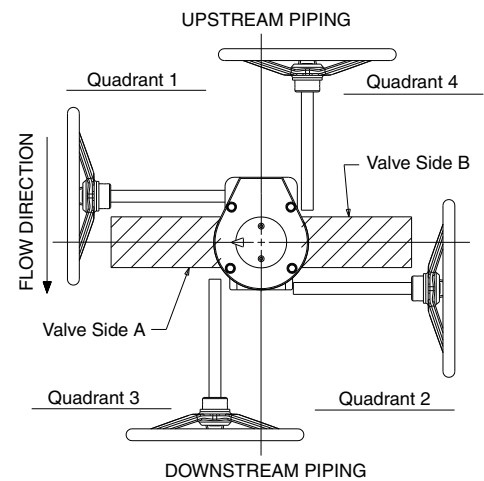
| Tools Required             |           |   |
|----------------------------|-----------|---|
| Fire Protection<br>(UL/FM) | 2" — 8"   | 9/16" hex wrench & 1/8" hex allen wrench  |
|                            | 10" — 12" | 3/4" hex wrench and 1/8" hex allen wrench |
| Commercial                 | 2" — 8"   | 9/16" hex wrench                          |
|                            | 10" — 14" | 3/4" hex wrench                           |
|                            | 16" — 18" | 1 1/8" hex wrench                         |

#### INSTALLATION

1. Install handwheel (1) onto gear operator shaft and secure with pin (2). (If not already attached) See Fig. 1.
2. Turn the handwheel (1) clockwise until in full SHUT position.
3. Remove 2 screws holding pointer cover plate to center of gear operator to expose bore. Retain pointer cover plate and screws for reinstallation later.
4. Assure valve is in full SHUT position, turn valve stem (5) to close disc if necessary.
5. Assure both mounting base of gear operator (3) and valve top flange (6) are clean and dry.
6. Determine desired handwheel position in reference to the piping system and compare with Fig. 2. There are 2 mounting positions for the gear operator onto the valve and the valve can be mounted in either direction into the piping system. This will allow handwheel to be positioned in any of the 4 quadrants as shown in Fig. 2. Note that all Fire Protection and 10" and 12" size commercial valves only allow for handwheel positioning in quadrants 1 and 2.
- 7a) Gear operators with adapter bushing.
  - Insert adapter bushing (4) into gear operator (3) bore aligning bushing key with desired keyway. Keyway selection will determine handwheel orientation position. (Note that Fire Protection model adapter bushings differ from illustration and only have 1 keyway position).
  - Align adapter bushing (4) bore with valve stem (5) and slide gear operator assembly onto valve stem (5) until seated with valve top flange.
- 7b) Gear operators without adapter bushing.
  - Align gear operator (3) bore with valve stem (5) and align with desired keyway. Keyway selection will determine handwheel orientation position.
  - Slide gear operator assembly onto valve stem (5) until seated with valve top flange.
8. Secure gear operator (3) to valve top flange (6) using supplied\* fasteners (7 & 8).
9. Reinstall pointer cover plate onto gear operator removed in step 3 above. Arrow should be aligned to indicate SHUT position.
10. Install flag and secure with Allen Screw. (Fire Protection gear operators only.)
11. Rotate handwheel from full SHUT to Full OPEN positions several times to assure proper operation. See Stop Adjustment Procedure Section of this instruction booklet on page 5 if stop alignment adjustment is necessary.
12. Proceed with valve installation into piping system.



**Fig. 1**



**Fig. 2**

For Fire Protection, gear operators, it is critical to use only the key supplied with gear operator in order to conform to UL, FM and ULC specifications.

**NOTE: Connection of gear operator to valve stem varies depending on gear operator model, size and style. The adapter bushing and key may be different from illustration shown.**

\*A minimum of two fasteners is required, installed in opposite diagonal corners.

**IV. VALVE INSTALLATION PROCEDURE - FLANGE, LUG & WAFER STYLE ONLY**

Always position the connecting pipe flanges accurately in the line, allowing sufficient space between the flanges for the valve. Make sure the pipe flange faces are clean of any foreign material such as scale, metal shavings or welding slag. Valves should be installed with the disc in the closed position to prevent damage to sealing surfaces.

1. Carefully insert the valve between the pipe flanges. Do not apply any lubricants to the seat faces as this may damage them.
2. Line up, center and secure the valve between flanges using desired bolts or studs as listed in Table 4 on next page.  
Do not tighten bolts at this time.
3. Carefully open the valve to assure free unobstructed disc movement. Disc interference may result when valves are installed in pipelines having smaller than normal inside diameters, such as heavy wall pipe, plastic-lined pipe, as-cast flanges or reducing flanges. Interference can also occur when connecting directly to a swing check or silent check. Suitable corrective measures must be taken to remove these obstructions, such as taper boring the pipe or installing a spacer or spool piece.
4. After proper operation is verified, tighten the bolts to the minimum recommended bolt torques listed in Table 3 below using a cross-over pattern, also shown below in Figure 3. NOTE: When installing valves NPS 14" and larger between two flanges, it is recommended that the cartridge liner be evenly compressed from both sides of the mating flanges. NIBCO recommends a multi-stepped process utilizing the cross-over pattern be used to draw the flanges against the liner from both sides of the valve at the same rate, ensuring the liner is compressed evenly. This method differs from the practice used on smaller valves, wherein one flange side is completely tightened before moving to the opposite side.
5. Pressurize piping to valve and inspect for leakage. If leakage is observed, tighten bolts using cross-over pattern, increasing torque until leak stops.  
DO NOT EXCEED MAXIMUM TORQUES LISTED IN TABLE 3 BELOW.
6. Recommended torques are made without warranty. Installer must verify proper strength bolts for application. Bolts shall be clean and un-lubricated.

**Caution**

1. Class 250 cast iron and Class 300 steel flanges **can not** be used on these valves.
2. Rubber faced or mechanical flanges are **not** recommended.
3. This valve is **not recommended** for steam service.
4. Valves should **not** be assembled to the flanges and then welded into the piping system.
5. Lever-lock handles are **not** recommended for use on 8" and larger valves.
6. Do not install valves with EPDM liner in compressed air lines.

**Suggested Bolting Methods**



**WAFER STYLE**



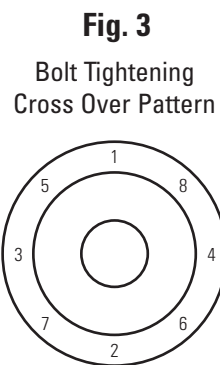
**LUG STYLE**



**LUG STYLE**

**Table 3 Recommended Bolt Tightening Torques**

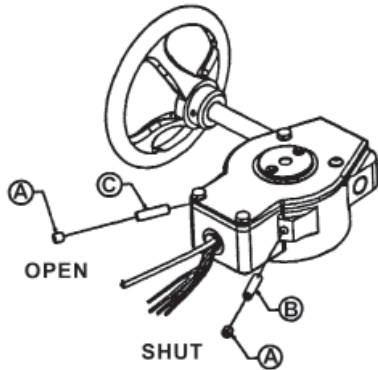
| Flange Size | Bolt Size | Minimum Bolt Torque (ft.•lbs.) | Maximum Bolt Torque (ft.•lbs.) |
|-------------|-----------|--------------------------------|--------------------------------|
| 2" - 4"     | 5/8"      | 20                             | 70                             |
| 5" - 8"     | 3/4"      | 30                             | 120                            |
| 10" & 12"   | 7/8"      | 50                             | 200                            |
| 14" & 16"   | 1"        | 70                             | 240                            |
| 18" & 20"   | 1 1/8"    | 100                            | 380                            |
| 24" - 30"   | 1 1/4"    | 140                            | 520                            |
| 32" - 48"   | 1 1/2"    | 200                            | 800                            |
| 54" - 60"   | 1 3/4"    | 350                            | 1800                           |



**Table 4 Recommended Bolt Lengths**

| VALVE SIZE<br>1000/2000/3000<br>SERIES ONLY | TOTAL VALVE<br>BODY WIDTH | ANSI B16.1<br>CLASS 125 CAST IRON<br>FLANGE THICKNESS | ANSI B16.5<br>CLASS 150 STEEL<br>FLANGE THICKNESS | ANSI B16.47 (SERIES A)<br>CLASS 150 STEEL<br>MSS SP-44<br>FLANGE THICKNESS | ANSI B16.47 (SERIES B)<br>CLASS 150 STEEL<br>WELD NECK<br>FLANGE THICKNESS | ANSI B16.47 (SERIES B)<br>CLASS 150 STEEL<br>BLIND STYLE<br>FLANGE THICKNESS | RECOMMENDED<br>CAP SCREW LENGTH<br>(LUGGED VALVES) | RECOMMENDED<br>BOLT LENGTH<br>(WAFFER VALVES) | TOTAL QUANTITY<br>CAP SCREWS/BOLTS<br>(TO MOUNT 2 FLANGES) | CAP SCREW SIZE |
|---|---------------------------|---|---|--|--|--|--|---|--|----------------|
| 2"  | 1.69                      | 0.63  | —   | —  | —  | —  | 1.25   | 4.00  | 8/4  | 5/8-11 UNC     |
|   |                           | —   | 0.75  | —  | —  | —  | 1.50   | 4.00  | 8/4  |                |
| 2 1/2"                                      | 1.81                      | 0.69  | —   | —  | —  | —  | 1.50   | 5.00  | 8/4  | 5/8-11 UNC     |
|   |                           | —   | 0.88  | —  | —  | —  | 1.75   | 5.00  | 8/4  |                |
| 3"  | 1.81                      | 0.75  | —   | —  | —  | —  | 1.50   | 5.00  | 8/4  | 5/8-11 UNC     |
|   |                           | —   | 0.94  | —  | —  | —  | 1.75   | 5.00  | 8/4  |                |
| 4"  | 2.06                      | 0.94  | 0.94  | —  | —  | —  | 1.75   | 5.00  | 16/8   | 5/8-11 UNC     |
| 5"  | 2.19                      | 0.94  | 0.94  | —  | —  | —  | 1.75   | 5.00  | 16/8   | 3/4-10 UNC     |
| 6"  | 2.19                      | 1.00  | 1.00  | —  | —  | —  | 2.00   | 6.00  | 16/8   | 3/4-10 UNC     |
| 8"  | 2.38                      | 1.12  | 1.12  | —  | —  | —  | 2.25   | 6.00  | 16/8   | 3/4-10 UNC     |
| 10"   | 2.69                      | 1.19  | 1.19  | —  | —  | —  | 2.25   | 7.00  | 24/12  | 7/8-9 UNC      |
| 12"   | 3.00                      | 1.25  | 1.25  | —  | —  | —  | 2.50   | 7.00  | 24/12  | 7/8-9 UNC      |
| 14"   | 3.01                      | 1.38  | 1.38  | —  | —  | —  | 2.50   | 7.00  | 24/12  | 1-8 UNC        |
| 16"   | 3.38                      | 1.44  | 1.44  | —  | —  | —  | 3.00   | 8.00  | 32/16  | 1-8 UNC        |
| 18"   | 4.12                      | 1.56  | 1.56  | —  | —  | —  | 3.00   | 9.00  | 32/16  | 1 1/8-7 UNC    |
| 20"   | 5.14                      | 1.69  | 1.69  | —  | —  | —  | 3.50   | 10.00   | 40/20  | 1 1/8-7 UNC    |
| 24"   | 5.98                      | 1.88  | 1.88  | —  | —  | —  | 4.00   | 11.00   | 40/20  | 1 1/4-7 UNC    |
| 28"   | 6.42                      | —   | —   | —  | —  | —  | —  | —   | 56   | 1 1/4-7 UNC    |
|   |                           | —   | —   | —  | 1.75   | —  | 4.00   | —   | 56   |                |
|   |                           | —   | —   | —  | —  | 1.88   | 4.00   | —   | 56   |                |
|   |                           | —   | —   | 2.81   | —  | —  | 5.00   | —   | 56   |                |
| 30"   | 6.57                      | 2.12  | —   | —  | —  | —  | 3.50   | —   | 56   | 1 1/4-7 UNC    |
|   |                           | —   | —   | —  | 1.75   | —  | 3.00   | —   | 56   |                |
|   |                           | —   | —   | —  | —  | 2.00   | 3.50   | —   | 56   |                |
|   |                           | —   | —   | 2.94   | —  | —  | 4.25   | —   | 56   |                |
| 32"   | 7.40                      | —   | —   | —  | —  | —  | —  | —   | 56   | 1 1/2-6 UNC    |
|   |                           | —   | —   | —  | 1.81   | —  | 4.00   | —   | 56   |                |
|   |                           | —   | —   | —  | —  | 2.13   | 4.00   | —   | 56   |                |
|   |                           | —   | —   | 3.91   | —  | —  | 5.00   | —   | 56   |                |
| 36"   | 8.00                      | 2.38  | —   | —  | —  | —  | 4.00   | —   | 64   | 1 1/2-6 UNC    |
|   |                           | —   | —   | —  | 2.06   | —  | 3.50   | —   | 64   |                |
|   |                           | —   | —   | —  | —  | 2.31   | 4.00   | —   | 64   |                |
|   |                           | —   | —   | 3.56   | —  | —  | 5.00   | —   | 64   |                |
| 42"   | 9.88                      | 2.62  | —   | —  | —  | —  | 4.50   | —   | 72   | 1 1/2-6 UNC    |
|   |                           | —   | —   | —  | 2.31   | —  | 4.00   | —   | 72   |                |
|   |                           | —   | —   | —  | —  | 2.69   | 4.50   | —   | 72   |                |
|   |                           | —   | —   | 3.81   | —  | —  | 5.50   | —   | 72   |                |
| 48"   | 10.87                     | 2.75  | —   | —  | —  | —  | 4.50   | —   | 88   | 1 1/2-6 UNC    |
|   |                           | —   | —   | —  | 2.56   | —  | 4.50   | —   | 88   |                |
|   |                           | —   | —   | —  | —  | 3.06   | 5.00   | —   | 88   |                |
|   |                           | —   | —   | 4.25   | —  | —  | 6.00   | —   | 88   |                |
| 54"   | 15.00                     | 3.00  | —   | —  | —  | —  | 7.00   | —   | 88   | 1 3/4-5 UNC    |
|   |                           | —   | —   | —  | 2.81   | —  | 7.00   | —   | 88   |                |
|   |                           | —   | —   | —  | —  | 3.44   | 7.50   | —   | 88   |                |
|   |                           | —   | —   | 4.75   | —  | —  | 8.50   | —   | 88   |                |
| 60"   | 15.00                     | 3.12  | —   | —  | —  | —  | 7.00   | —   | 104  | 1 3/4-5 UNC    |
|   |                           | —   | —   | —  | 3.00   | —  | 7.00   | —   | 104  |                |
|   |                           | —   | —   | —  | —  | 3.81   | 8.00   | —   | 104  |                |
|   |                           | —   | —   | 5.19   | —  | —  | 9.00   | —   | 104  |                |

**BUTTERFLY VALVE GEAR OPERATOR SETTING INSTRUCTIONS**



**Fig. 7**

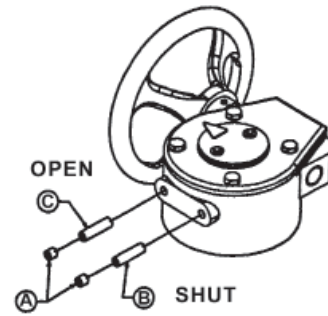
**2" - 12"**

**UL/FM Valve Gear Operator**

| Part Number | Valve Size | Valve Series |
|-------------|------------|--------------|
| T117166 PP  | 2" — 4"    | WD/LD 3510   |
|             | 2½" — 3"   | GD-4765      |
| T117167 PP  | 5" — 6"    | WD/LD 3510   |
|             | 4" — 6"    | GD-4765      |
| T117890 PP  | 8"         | WD/LD 3510   |
|             | 8"         | GD-4765      |
| T117168 PP  | 10" — 12"  | WD/LD 3510   |
|             | 10"        | GD-4765      |

**Table 5**

| Tools Required   |                             |
|------------------|-----------------------------|
| 2" — 8" valves   | 4mm or 5mm hex allen wrench |
| 10" — 18" valves | 6mm hex allen wrench        |
| 20" — 24" valves | 8mm hex allen wrench        |



**Fig. 8**

**2" - 24"**

**Commercial Valve Gear Operator**

| Part Number | Valve Size | Valve Series            |
|-------------|------------|-------------------------|
| T117118 PP  | 2" — 6"    | WD/LD 2000/3000         |
|             | 2" — 5"    | FC/FD/GD 2000/5000/4000 |
| T117119 PP  | 8"         | WD/LD 2000/3000         |
|             | 6" — 8"    | FC/FD/GD 2000/5000/4000 |
| T117120 PP  | 10"        | WD/LD 2000/3000         |
| T117121 PP  | 12"        | WD/LD 2000/3000         |
|             | 10" — 12"  | FC/FD/GD 2000/5000/4000 |
| T116697 PP  | 14"        | LD 1000                 |
| T026150 PP  | 16"        |                         |
| T026151 PP  | 18"        |                         |
| T026211 PP  | 20"        |                         |
| T026212 PP  | 24"        |                         |

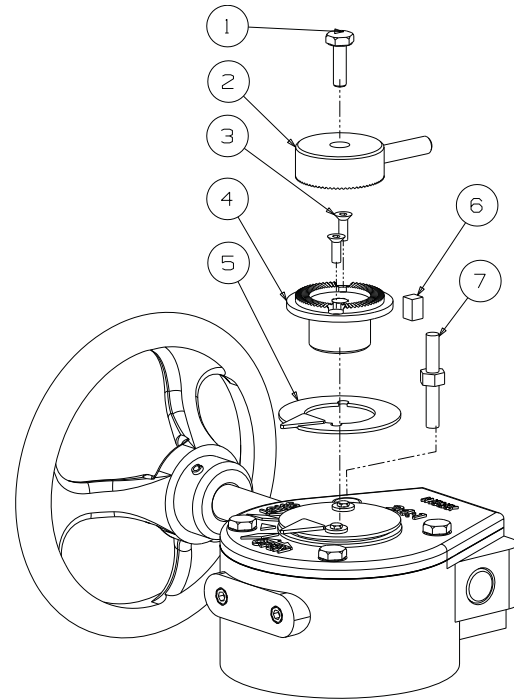
**V. STOP ADJUSTMENT PROCEDURE**

1. With valve in closed position, mount gear operator onto body.
2. Remove 2 lock screws (A) from gear operator body.
3. Turn shut stop screw (B) clockwise until snug.
4. Open valve by turning handwheel until valve disc is in fully open position.
5. Turn open stop screw (C) clockwise until snug.
6. Close valve by turning handwheel until valve is in the fully closed position.
7. Inspect valve to be sure disc returned to a fully closed position with disc centered in the seat area. Readjust shut stop screw (B) if necessary.
8. Reinstall 2 lock screws (A) into gear operator body to lock stops in position.

**NOTE:** The gear operator's **OPEN** position has been set at time of shipping. These instructions should be used for slight adjustment as needed.

## VI. MEMORY STOP INSTALLATION INSTRUCTION - 2" THRU 24" SIZE VALVES ONLY

1. Remove the two screws holding the top cover (Indicator Pointer) on to segment gear. Discard cover and screws
2. Place indicator (5) supplied with kit around bottom hub (4) and align key (6) on bottom hub with slot in segment gear and slide into place.
3. Attach with two M4 x 12 flat head screws (3).
4. Remove one capscrew (1) holding cover onto gear operator housing and replace with stop pin (7).
5. Use capscrew (1) secure the top hub (2) to the bottom hub (4). Top hub can be moved 360 degrees in 5 degree increments.
6. Tighten capscrew (1) once top hub is appropriately set.



**Fig. 9**

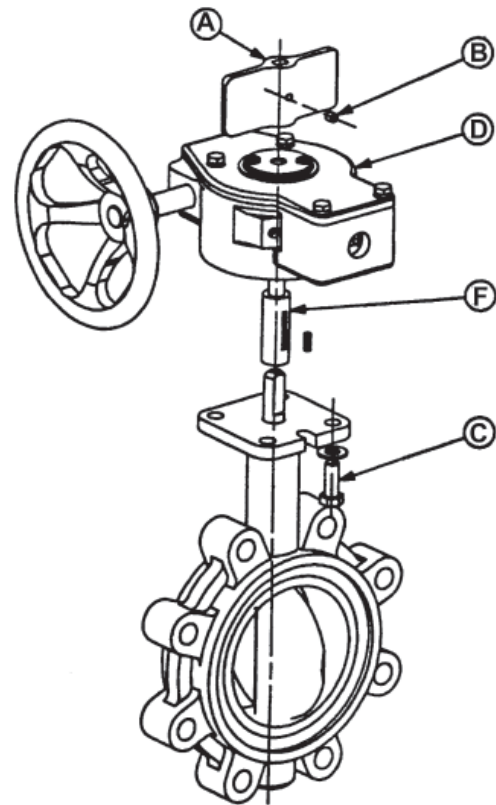


## VII. KEY DRIVE REPLACEMENT INSTRUCTIONS 2" -12" UL/FM BUTTERFLY VALVES

**NOTE:** All replacement parts must be obtained from your NIBCO Distributor. Key drive material and size is specifically designed to meet performance requirements of UL and FM. Failure to use the properly sized replacement parts may void the UL and FM ratings.

Drive Key (section of weakness) will shear if excessive torque is applied to the input of the gear operator while the disc is blocked partially open.

1. Loosen the set screw (B) that secures the flag (A) to the stem. Remove the flag.
2. Remove the four (4) hex head cap screws (C) that fasten the gear operator (D) to the valve. The wrench sizes are 9/16" for 2" - 8" valves and 3/4" for the 10" - 12" valves.
3. Lift the gear operator straight up from the valve. In most cases the adapter bushing (F) will stay in the segment quadrant gear because the broken key causes interference between the gear and adapter bushing.
4. Pull the adapter bushing from the gear. Some force may be required.
5. After removing the adapter bushing, remove the broken key.
6. Place new key in keyway of adapter bushing.
7. With drive bushing and key in place within gear operator, carefully slide the gear operator over stem until it rests flush on the valve operator mounting flange. The handwheel may need to be turned in order to align bolt holes and the orientation pin.
8. Secure gear operator with four (4) hex head screws, replace flag on stem and tighten set screw on flag.
9. Check operation of valve by turning handwheel from fully open to fully closed position.



**Fig. 10**

**NOTE BEFORE ASSEMBLY;** All replacement parts must be obtained from the manufacturer to assure proper operation of the valve. Parts are available from your NIBCO distributor

**VIII. MAINTENANCE AND REPAIR - LD/WD2000/3000/5000 SERIES - 2" THRU 12" SIZE VALVES ONLY**

Due to the many unique features in the NIBCO butterfly valve design, there is no regular maintenance or lubrication required. These valves are field repairable\* with the stem, disc, seat and body, collar bushing and O-ring seals available as individual components.

**IX. REPAIR**

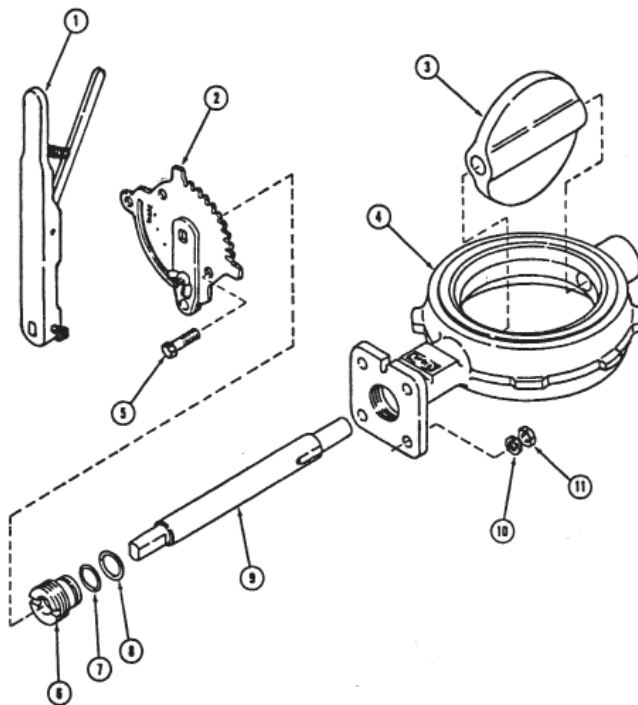
Remove handle, gear operator or actuator from the cast-mounting pad. Unscrew the collar bushing\*\* and pull out the stem; this will allow the disc to be removed as well.

Replacement of the damaged component can be accomplished at this time. The body, seat and bushings are provided from the factory as one assembly rather than three separate components.

To reassemble, place the disc inside the seat in the open position. Align the stem hole thru the body and disc. Insert the stem into the body and disc, making sure to align the geometric drive flats between the stem and disc.

Replace both stem and body O-ring seals on the collar bushing and insert over the stem. Screw the bushing into the body until flush with top of mounting pad. Replace lever, gear or actuator and check for function before reinstalling in line.

Refer to assembly drawing below for individual components.



**MATERIAL LIST**

| ITEM | DESCRIPTION          |
|------|----------------------|
| 1.   | Lever Handle         |
| 2.   | Throttle Plate*      |
| 3.   | Disc                 |
| 4.   | Wafer Body and Liner |
| 5.   | Hex Bolt (3/8 x 2)   |
| 6.   | Collar Bushing       |
| 7.   | O-ring Body Seal     |
| 8.   | O-ring Stem Seal     |
| 9.   | Stem                 |
| 10.  | Washer (3/8 x 2)     |
| 11.  | Nut (3/8-16 x 2)     |

\* Shown with optional Infinite-Position Kit.

**GEAR OPERATORS**

All gear operators are lubricated for life at assembly, prior to shipment from factory.

During installation, customer should carefully adjust gear operators to suit the valve OPEN and SHUT positions; no further attention is normally required throughout the product life.

For installations where spare parts are held on site, it is suggested that a spare gear operator be held as an interchangeable item. In the event of gear operator suffering damage or excessive wear in service, it is recommended that a replacement be supplied.

\*\* Never remove the collar bushing with the system under pressure.