

## 350 PSI WWP UL/FM Butterfly Valves

Designed for normally open position monitoring

- Fire Protection Valve • Grooved Mechanical Style • Nylon Coated Ductile Iron Body • Extended Neck • Elastomer Encapsulated Disc • Internal Supervisory Switches • Compatible with IPS Pipe†



### 350 PSI/24 Bar Non-Shock Cold Water 2½" - 10"

UL/ULC LISTED\*\* • UL/FM LISTED FOR INDOOR AND OUTDOOR SERVICE • THIRD PARTY CERTIFIED TO NSF/ANSI 61 AND 372 • CALIFORNIA STATE FIRE MARSHALL LISTING NO. 7770-1243:0500

#### MATERIAL LIST

PART	SPECIFICATION
1 Indicator Flag	Painted Steel
2 Stem Adapter	Steel
3 Gear Operator	Cast Iron and Steel
4 Retaining Ring	Carbon Steel
5 Cartridge Seal	Brass ASTM C36000
6 Stem Seals	EPDM
7 Upper Stem	Stainless Steel ASTM A582 Type 416
8 Upper Bushing	Steel with PTFE Lining
9 Body	Ductile Iron ASTM A395 with Polyamide Coating
10 Disc	Ductile Iron ASTM A536 with EPDM Encapsulation
11 Lower Bushing	Steel with PTFE Lining
12 Lower Stem	Stainless Steel ASTM A582 Type 416
13 Handwheel	Cast Iron

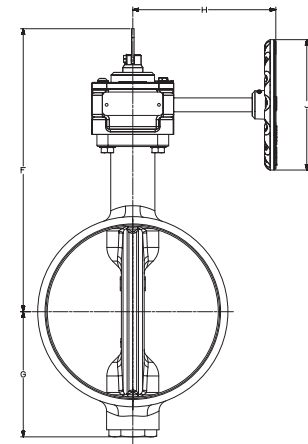
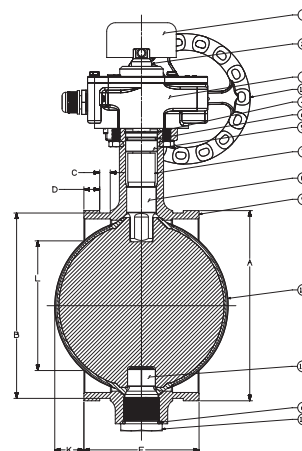
Factory mounted with two internal supervisory switches. Uses NIBCO model T1446762 PP switch. Ground post (-GP) and wall post (-WP) available. Normally open monitored only. Section VI of the Rubber-Seated Butterfly Valve O&M Manual.

**WARNING:** This product can expose you to chemicals including lead, which is known to the State of California to cause cancer and birth defects or other reproductive harm. For more information go to [www.P65Warnings.ca.gov](http://www.P65Warnings.ca.gov).



**GD-6865-4N**  
(not shown)  
No Switches

**GD-6865-8N**  
Grooved  
2½", 3", 4", 6", 8", 10"



#### DIMENSIONS—WEIGHTS

SIZE	Dimensions												Weight			
	A	B	C	D	E	F	G	H	J	K	L	Lbs.	Kg.			
In. mm.	In. mm.	In. mm.	In. mm.	In. mm.	In. mm.	In. mm.	In. mm.	In. mm.	In. mm.	In. mm.	In. mm.	In. mm.	In. mm.	In. mm.	In. mm.	In. mm.
2½"	65 2.88	73 2.72	69 0.31	8 0.63	16 3.81	97 8.95	227 2.20	56 4.92	125 4.25	108 —	— —	— —	— —	— —	— —	9.5 4.3
3 OD	76.1 3.00	76.1 2.85	72 0.31	8 0.63	16 3.81	97 9.16	233 2.47	63 4.92	125 4.25	108 —	— —	— —	— —	— —	— —	11.3 5.2
3	80 3.50	80.0 3.34	85 0.31	8 0.63	16 3.81	97 9.16	233 2.47	63 4.92	125 4.25	108 —	— —	— —	— —	— —	— —	11.6 5.3
4	100 4.50	114.3 4.33	110 0.38	10 0.63	16 4.56	116 10.00	254 3.00	76 4.92	125 4.25	108 —	— —	— —	— —	— —	— —	15.0 6.8
6 OD	165.1 6.50	165.1 6.33	161 0.38	10 0.63	16 5.81	148 11.92	303 4.33	110 6.48	165 6	152 —	— —	— —	— —	— —	— —	31.5 14.3
6	150 6.63	168.3 6.45	164 0.38	10 0.63	16 5.81	148 11.92	303 4.33	110 6.48	165 6	152 —	— —	— —	— —	— —	— —	31.3 14.2
8	200 8.63	219 8.44	214 0.44	11 0.75	19 5.25	133 12.85	326 5.67	114 6.48	165 6	152 1.32	34 5.87	149 43.0	19.5 77.0	— —	— —	— —
10	250 10.77	250 10.55	268 0.50	13 0.75	19 6.25	159 15	381 6.77	172 8.74	222 6	152 1.74	44 7.44	189 77.0	35 —	— —	— —	— —

\*\* Compliance with the Standard for Butterfly Valves for Fire Protection Service, UL 1091, and Indicating Values, FM Class Number 1112.

† See Grooved Pipe Specification section

Visit our website for the most current information.