

# Stainless Steel Ball Valves

Three-Piece Body • Full Port • Cast ISO Mounting Pad •  
Blowout-Proof Stem • 316 SS Trim • Vented Ball

**1000 PSI/69 bar non-shock cold working pressure\***

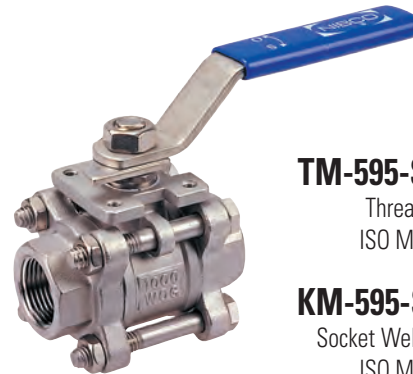
CONFORMS TO MSS SP-110

## MATERIAL LIST

PART	SPECIFICATION
1. Stop Pin	Stainless Steel ASTM A 276 Type 304
2. Stop Plate	Stainless Steel ASTM A 240 Type 304
3. Stem	Stainless Steel ASTM A 276 Type 316
4. Handle Nut	Stainless Steel 304
5. Stem Packing (1 Set)	Carbon Filled PTFE
6. Thrust Washer	Carbon Filled PTFE
7. Cap Bolt	Stainless Steel ASTM A 193 B8 Type 304
8. <sup>1</sup> Body End (2)	Stainless Steel ASTM A 351 Type CF8M
9. Seat (2)	Reinforced PTFE
10. Body	Stainless Steel ASTM A 351 Type CF8M
11. Ball (Vented)	Stainless Steel ASTM A 351 Type CF8M or ASTM A 276 Type 316
12. Union Seal (2)	Reinforced PTFE
13. Cap Nut (4)	Stainless Steel 304
14. Threaded Pack Gland	Stainless Steel ASTM A 276 Type 316
15. Handle	Stainless Steel ASTM A 240 Type 304

NOTE: valves are static grounded by thrust washer and packing.

<sup>1</sup>Threaded ends: CF8M, socket weld ends: CF3M.

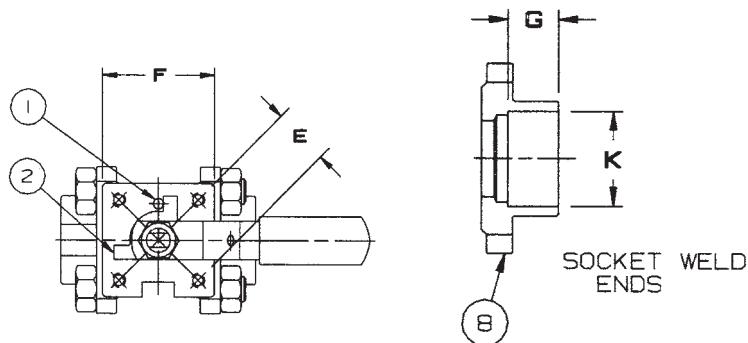
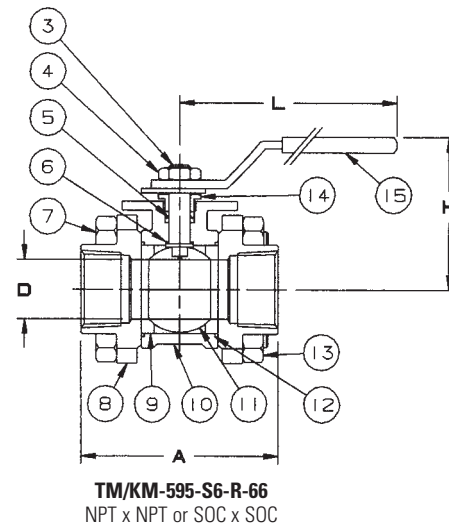


**TM-595-S6-R-66**

Threaded  
ISO Mount

**KM-595-S6-R-66**

Socket Weld (1/2"-2")  
ISO Mount



## DIMENSIONS—WEIGHTS—QUANTITIES

Size	Dimensions										ISO 5211	TM or KM-595-S6-R-66		Master Ctn. Qty.	
	A	D	E	F	G	K	H	L	Lbs.	Kg.					
In. mm.	In. mm.	In. mm.	In. mm.	In. mm.	In. mm.	In. mm.	In. mm.	In. mm.	In. mm.	In. mm.					
1/4	8 2.49	63 .34	9 .71	18 1.42	36 —	— —	— —	2.36	60	4.17	106	F03	1.00	.45	10
3/8	10 2.49	63 .34	9 .71	18 1.42	36 —	— —	— —	2.36	60	4.17	106	F03	1.00	.45	10
1/2	15 2.76	70 .56	14 .71	18 1.42	36 .38	10 .87	22 2.36	60	4.17	106	F03	1.20	.54	10	
3/4	20 3.03	77 .81	21 .83	21 1.65	42 .50	13 1.08	27 2.83	72 5.04	128	F04	1.90	.86	10		
1	25 3.63	92 1.00	25 .88	22 1.65	42 .50	13 1.34	34 3.07	78 5.04	128	F04	2.90	1.31	8		
1 1/4	32 4.14	105 1.25	32 .98	25 1.97	50 .50	13 1.69	43 3.35	85 7.83	199	F05	4.30	1.93	5		
1 1/2	40 4.73	120 1.50	38 .98	25 1.97	50 .50	13 1.93	49 3.66	93 7.83	199	F05	6.00	2.70	5		
2	50 5.43	138 1.97	50 .98	25 1.97	50 .62	16 2.42	61 4.09	104 7.83	199	F05	9.50	4.28	2		

◆For detailed operating pressure, refer to pressure temperature chart on pages 71 and 72.

Visit our website for the most current information.