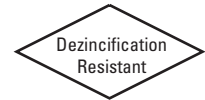


# 175 PSI WWP Bronze Globe Valves

Fire Protection Valve • Screw-In Bonnet • Integral Seat • Renewable Disc

175 PSI/12.1 Bar Non-Shock Cold Water

CONFORMS TO MSS SP-80 • UL LISTED\*

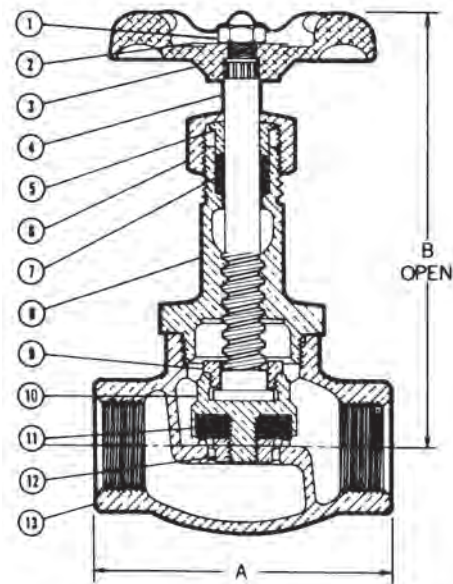


**KT-211-W-UL**  
Threaded

## MATERIAL LIST

PART	SPECIFICATION
1. Handwheel Nut	300 Series Stainless Steel
2. Identification Plate	Aluminum
3. Handwheel	Aluminum Commercial Alloy 380
4. Stem	Silicon Bronze ASTM B371 Alloy C69430
5. Packing Gland	Bronze ASTM B62 or ASTM B584 Alloy C84400 or ASTM B282 or ASTM B16
6. Packing Nut	Bronze ASTM B62 or ASTM B584 Alloy C84400 or ASTM B16
7. Packing	Non Asbestos Aramid Fibers w/Graphite
8. Bonnet	Bronze ASTM B62
9. Disc Holder Nut	Bronze ASTM B140 Alloy C31400 or B62
10. Disc Holder	Bronze ASTM B62±/ ASTM B 9 Alloy C65100 w/SS Washer
11. Seat Disc	Nitrile (W) (1¼" - 2") PTFE (Y) (2½" - 3")
‡12. Disc Nut	Bronze ASTM B62/ASTM 89 Alloy C65100 w/SS Washer
13. Body	Bronze ASTM B62

‡ 2½" and 3" size only.



**KT-211-W-UL**  
NPT x NPT

## DIMENSIONS—WEIGHTS—QUANTITIES

Size	Dimensions				Weight		Box Qty.	Master Ctn. Qty.
	A		B		Lbs.	Kg.		
In. mm.	In.	mm.	In.	mm.				
1¼ 32	4.31	110	6.13	156	3.55	1.61	2	10
1½ 40	4.69	119	7.19	183	5.50	2.49	2	10
2 50	5.63	143	7.94	202	8.25	3.75	2	6
**2½ 65	6.63	168	10.19	259	15.40	7.00	1	2
**3 80	7.75	197	11.19	284	22.44	10.20	1	2

\* UL Listed for Trim and Drain use (Subject 258) – sizes 1¼", 1½", 2".

\*\* Sizes 2½" and 3" supplied as T-211-Y with PTFE seat disc. Subject to AHJ Approval.

NOTE: See KT-65-UL for ½"-1" sizes.

**WARNING:** This product can expose you to chemicals including lead, which is known to the State of California to cause cancer and birth defects or other reproductive harm. For more information go to [www.P65Warnings.ca.gov](http://www.P65Warnings.ca.gov).

Visit our website for the most current information.