

400 PSI WWP Bronze Side Outlet Globe Valves

Fire Protection Valve • 3-Way Valve • Screw-In Bonnet • Integral Seat • Renewable Disc

400 PSI/27.6 Bar Non-Shock Cold Water

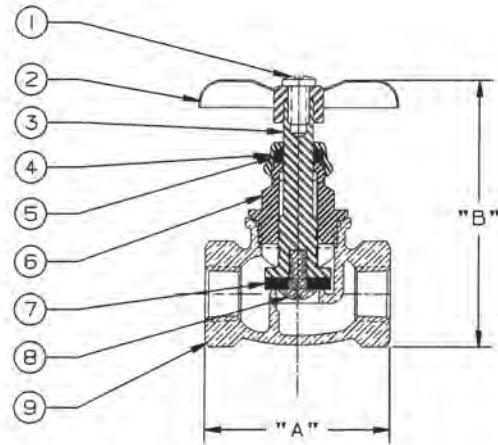
Dezincification
Resistant

MATERIAL LIST

PART	SPECIFICATION
1. Handwheel Screw	Zinc Plated Steel
2. Handwheel	Aluminum ASTM B85 Alloy C38000
3. Stem	ASTM B133 Alloy C10200
4. Packing Nut	ASTM B16 Alloy C36000
5. Packing	Non Asbestos Aramid Fibers w/Graphite
6. Bonnet	Bronze ASTM B584 Alloy C84400
7. Disc	Nitrile
8. Disc Screw	Stainless Steel ASTM A276 Alloy S43000
9. Body	Bronze ASTM B584 Alloy C84400



KT-291-W3
Threaded

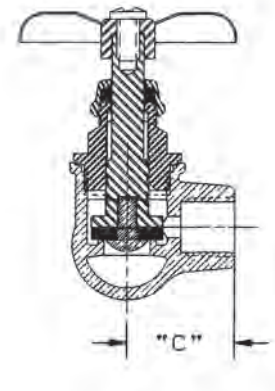


KT-291-W3
NPT x NPT x NPT

DIMENSIONS—WEIGHTS—QUANTITIES

Size	Dimensions						Weight		Box Qty.	Master Ctn.	Qty.
	A		B		C		Lbs.	Kg.			
In.	mm.	In.	mm.	In.	mm.	In.	mm.				
1/4	8	1.75	44	2.25	57	.94	24	.41	.19	10	100

⚠ WARNING: This product can expose you to chemicals including lead, which is known to the State of California to cause cancer and birth defects or other reproductive harm. For more information go to www.P65Warnings.ca.gov.



Visit our website for the most current information.