

150 PSI Butterfly Valves

Ductile Iron Body • Cartridge Liner • Double Flanged

Sizes 30", 36", 42" and 48"

Install between ANSI B16.10 Class 125 or ANSI B16.47 Class 150 flanges.
100 PSI bi-directional dead end service rating without a downstream flange.
Do NOT install between AWWA C115/A21.5 type flanges.

THIRD PARTY CERTIFIED BY QAI TO MEET MSS SP-67 STANDARD

MATERIAL LIST

PART	SPECIFICATION
1. Body	Ductile Iron ASTM A536
2. Bushing	Bronze ASTM B584 Grade C83600
3. Lower Stem	Stainless Steel ASTM A582 Type 416 Stainless Steel ASTM A276 Type 316SS
3a. Upper Stem	Stainless Steel ASTM A582 Type 416 Stainless Steel ASTM A276 Type 316SS
4. Seat Back Ring	Phenolic Resin, Aluminum B26 30" - 36" eight set screws in backing 42" - 48" ten set screws in backing
5. Seat	Rubber - BUNA (NBR) Rubber - EPDM
6. Disc	Aluminum Bronze ASTM B148 C95400 Ductile Iron ASTM A536 65-45-12 (Nickel Plated) Stainless Steel ASTM A351 Grade CF8M
7. Taper Pin (3)	Stainless Steel ASTM A582 Type 416 or ASTM 564
8. Rivet	Steel
9. Nameplate	Aluminum
10. Bushing	Bronze ASTM B584 C83600
11. Flat Key	Steel ASTM A108 1045
12. Bushing	Bronze ASTM B584 C83600
13. Socket Bolt	Steel ASTM A307
14. O-Ring	Rubber BUNA (NBR)
15. Bottom Plate	Steel ASTM A108 1035
16. Thrust Bearing	Bearing Steel
17. Washer	Steel
18. Retainer Plate	Steel Galvanized, ASTM A570 GR33
19. Bolts M6	Steel Galvanized, ASTM A570 GR33
20. O-Ring	Rubber Buna (NBR)

LD-1000/LD-1100

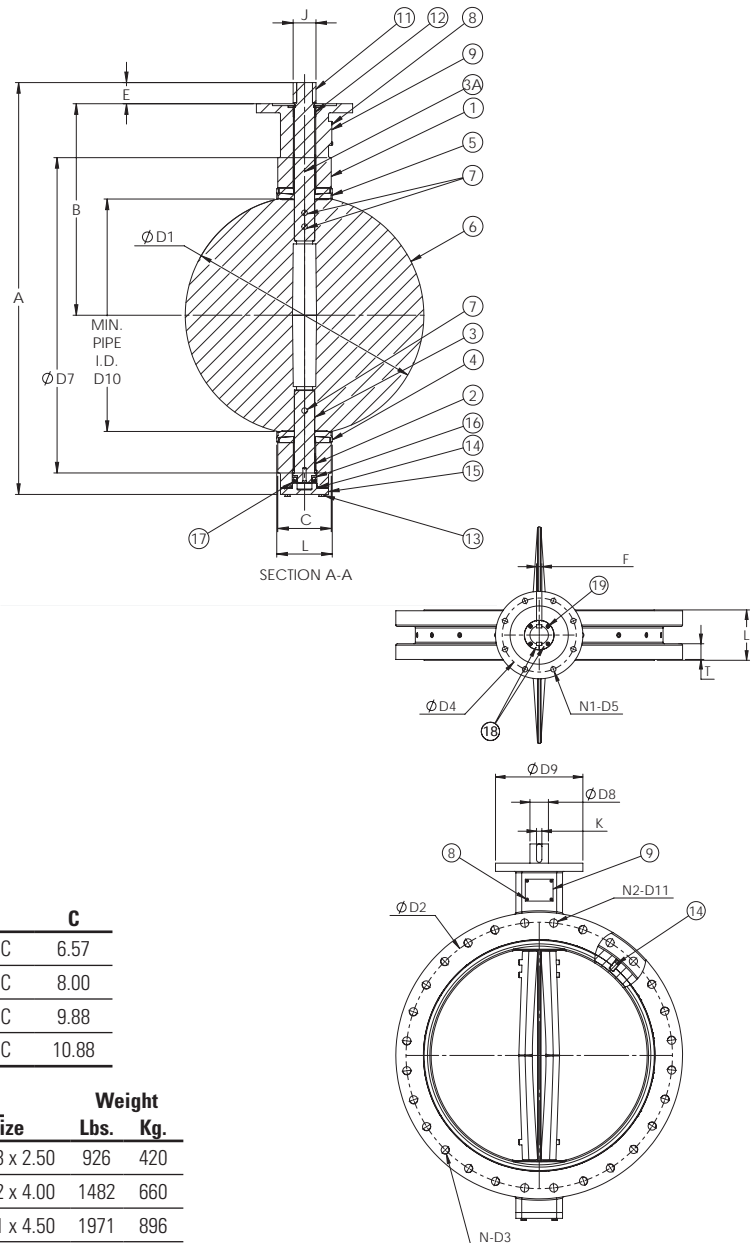
Lug Style
EPDM or Buna-N Liner
Aluminum Bronze Disc

LD-1010

Lug Style
EPDM Liner
Ductile Iron Disc

LD-1022

Lug Style
EPDM Liner
Stainless Steel Disc



Size	D8										
	In.	mm.	D1	D2	D4	D5	D7	Dia.	D9	D10	D11
30	750	29.30	36.00	10.00	0.71	38.74	2.50	11.81	28.56	1 1/4-7UNC	6.57
36	900	34.04	42.75	10.00	0.71	46.00	2.95	11.81	33.09	1 1/2-6UNC	8.00
42	1050	40.55	49.50	11.73	0.87	53.00	3.74	13.78	39.33	1 1/2-6UNC	9.88
48	1200	45.67	56.00	11.73	0.87	59.50	4.13	13.78	44.35	1 1/2-6UNC	10.88

Size	K											Weight	
	In.	mm.	L	A	B	E	F	J	N1	N2	T	Key Size	Lbs.
30	750	6.81	50.63	26.00	2.60	0.709	2.809	8	28	2.12	.709 x .433 x 2.50	926	420
36	900	8.31	58.82	28.35	4.65	0.787	3.307	8	32	2.38	.787 x .472 x 4.00	1482	660
42	1050	10.28	70.28	33.78	5.91	0.984	4.134	8	36	2.62	.984 x .551 x 4.50	1971	896
48	1200	11.26	76.96	37.04	5.91	1.102	4.606	8	44	2.75	1.104 x .630 x 4.50	2816	1280

WARNING: This product can expose you to chemicals including lead, which is known to the State of California to cause cancer and birth defects or other reproductive harm. For more information go to www.P65Warnings.ca.gov.

Visit our website for the most current information.

NOT RECOMMENDED FOR STEAM SERVICE