

150 PSI Butterfly Valves

Cast Iron Body • Extended Neck • Cartridge Seat Liner* • Lug Style
Sizes 14" through 24"

Install between Std. ASME Class 125 flanges†.
Bi-directional dead end service rating without a downstream flange required: 14" - 24" 100 PSI.

THIRD PARTY CERTIFIED BY QAI TO MEET MSS SP-67 STANDARD

- N-150238**
Lug Style
EPDM Liner
Nylon Bonded DI Disc
- N-150248**
Lug Style
Buna-N Liner
Nylon Bonded DI Disc



MATERIAL LIST

PART	SPECIFICATION
1. Body	Cast Iron, Epoxy coated ASTM A126 CL.B
2. Body Bushing	Bronze ASTM B584 Grade C83600
3. Liner	EPDM Rubber w/Phenolic Backing Buna-N Rubber Nitrile w/Phenolic Backing
4. Stem	Stainless Steel ASTM A582 Type 416
5. Disc	Ductile Iron ASTM A536 Grade 65-45-12 (nylon bonded DI)
6. Taper Pin (2 pin 6" - 12")	Stainless Steel ASTM A582 Type 416
7. Name Plate	Aluminum
8. Shaft Bushing	Bronze ASTM B584 Grade C83600
9. Stem Seal	Buna-N Rubber Nitrile

DIMENSIONS — WEIGHTS

Size	A	Minimum.	B	C	D	E	F	G	H	I	
In. mm	Dia.	Pipe I.D.	Dia.	Dia.				Body	Seat	Dia.	
14"	350	13.12	13.02	14.77	17.20	14.49	1.77	26.77	3.00	3.13	1.244
16"	400	15.34	15.20	17.30	19.21	15.75	2.02	29.93	3.37	3.54	1.305
18"	450	17.34	17.09	19.31	21.22	16.61	2.02	31.54	4.12	4.29	1.494
20"	500	19.36	18.90	21.08	23.31	18.90	2.53	35.64	5.13	5.31	1.619
24"	600	23.33	23.05	25.71	32.09	22.13	2.76	42.96	5.96	6.14	1.993

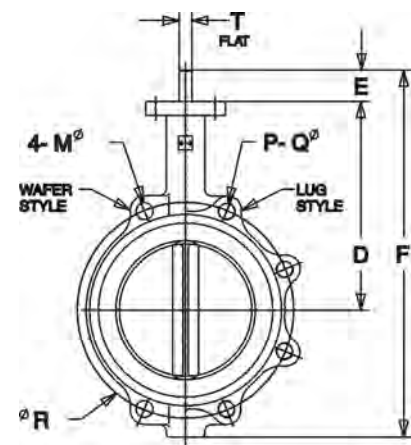
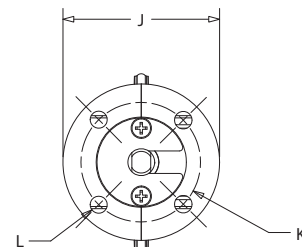
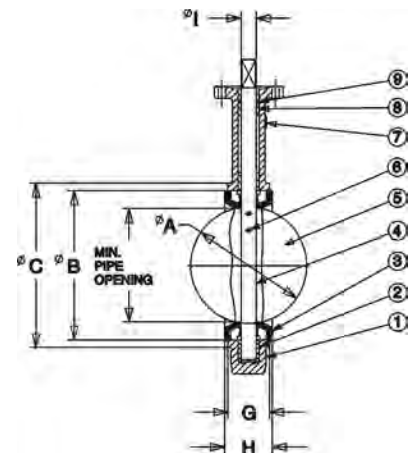
DIMENSIONS — WEIGHTS

Size	J	K	L	M	P	Q	R	T	WEIGHT
In. mm	Dia.	Dia.	Dia.	Drive Key		Dia.	Dia.	In.	Lbs. Kg
14"	350	5.51	4.25	0.55	.250 x 1.125 WOODRUFF #809	12	1"-8 UNC	18.75	17.52 141 64
16"	400	7.76	6.25	0.83	.312 X .312 X 1.811 LONG	16	1"-8 UNC	21.25	20.08 199 90
18"	450	7.76	6.25	0.83	.375 X .375 X 1.881 LONG	16	1-1/8"-7 UNC	22.75	21.26 261 119
20"	500	7.76	6.25	0.83	.375 x .375 x 1.811 LONG	20	1-1/8"-7 UNC	25.00	24.02 395 179
24"	600	10.87	8.50	0.94	.500 x .500 x 2.362 LONG	20	1-1/4"-7 UNC	29.50	27.87 591 268

*Note: refer to NIBCO O & M manual for specified installation instructions for optimal performance of cartridge seat valves

†Note: lug style valves- extra care should be used when installing with raised face flanges. Over-tightening can result in broken lugs.

WARNING: This product can expose you to chemicals including lead, which is known to the State of California to cause cancer and birth defects or other reproductive harm. For more information go to www.P65Warnings.ca.gov.



NOT RECOMMENDED
FOR STEAM SERVICE

Visit our website for the most current information.