

Wall Mount Indicator Posts

PATENT #US 9,541,218

Fire Protection • Wall Mount Style • For Use with Non-Rising Stem Indicator Post Style Gate Valves



UL/ULC LISTED • FM APPROVED

MATERIAL LIST

PART	SPECIFICATION
1. Upper Body	Ductile Iron ASTM A536 Gr. 65-45-12
2. Cap	Ductile Iron ASTM A536 Gr. 65-45-12
3. T-Head Bolt, Cap (2)	Zinc Plated Steel ASTM A105
4. Nut, Cap (2)	Zinc Plated Steel ASTM A105
5. Operating Stem	Bronze ASTM B584 C84400 / B62 C83600
6. Retaining Ring, Stem	Stainless Steel ASTM A276 S30400
7. Leading Bogie	Bronze ASTM B584 C84400 / B62 C83600
8. Target Plate, OPEN (2)	Aluminum ASTM B26
9. Target Plate, SHUT (2)	Aluminum ASTM B26
10. Extension Plate (2)	Steel, Painted Black ASTM A1008
11. Target Rod (2)	Brass ASTM B16 C36000
12. View Window (2)	Polycarbonate Commercial
13. Gasket, Window (2)	Rubber ASTM D2000 EPDM
14. Guard, Window (2)	Cast Iron ASTM B124 Gr. B
15. Handwheel	Ductile Iron ASTM A536 Gr. 65-45-12
16. Eyebolt, Handwheel	Zinc Plated Forged Steel ASTM A105
17. Washer, Handwheel Retainer	Zinc Plated Steel Commercial
19. Screw, Hex Head Cap (4)	Stainless Steel S30400
20. Washer (4)	Stainless Steel S30400
21. Screw, Slotted Flat Head (4)	Stainless Steel S30400
22. Plug 1/2" Pipe	Zinc Plated Steel Commercial
23. U-Bolt	Forged Steel ASTM A105
24. Cotter Pin	Stainless Steel S30400
25. Coupling, Operating Rod	Ductile Iron ASTM A536 Gr. 65-45-12
26. Operating Rod	Steel ASTM A105
27. Flange, Threaded	Ductile Iron ASTM A536 Gr. 65-45-12
37. Screw, Socket Head Set (6)	Stainless Steel S30400

WEIGHT*

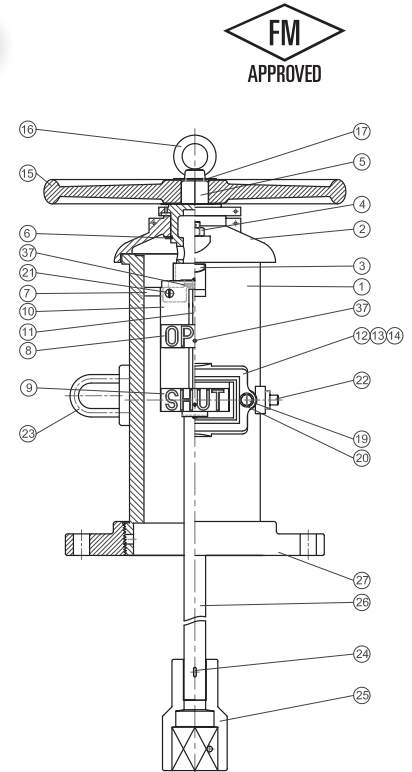
Fig. No.	Lbs.	KG
NIP-2AW	89	40

* Includes rod and coupling

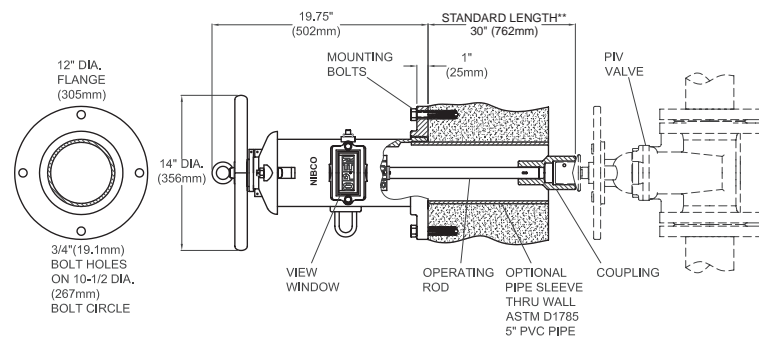
** Longer operating rods available. See installation operation guide on page 59.



NIP-2AW
Wall Mount



NIP-2AW



DIMENSIONAL DATA FOR NIBCO RWGV AND IBBM GATE VALVES

Valve Size	NIBCO RESILIENT WEDGE GATE VALVES (RWGV)							NIBCO IRON BODY BRONZE MOUNTED GATE VALVES (IBBM)						
	TURNS TO OPEN	A		B		1/2 Pipe OD		TURNS TO OPEN	A		B		1/2 Pipe OD	
		In.	mm.	In.	mm.	In.	mm.		In.	mm.	In.	mm.	In.	mm.
4"	13	13.46	342	10.12	257	2.40	61	9	14.13	359	10.47	266	2.40	61
6"	15.7	17.01	432	13.78	350	3.45	88	13.5	18.54	471	16.30	414	3.45	88
8"	17.3	20.47	520	17.32	440	4.53	115	17.5	22.13	562	18.11	460	4.53	115
10"	21.4	23.82	605	20.71	526	5.50	140	30.3	25.75	654	21.89	556	5.50	140
12"	25.3	27.01	686	23.86	606	6.60	168	38.3	29.49	749	24.57	624	6.60	168
14"	44	31.81	808	28.58	726	7.65	194							
16"	50	34.21	869	30.98	787	8.70	221							

WARNING: This product can expose you to chemicals including lead, which is known to the State of California to cause cancer and birth defects or other reproductive harm. For more information go to www.P65Warnings.ca.gov.

Visit our website for the most current information.