

250 PSI CWP Iron Body Gate Valves

Bolted Bonnet • Non-Rising Stem • Resilient Wedge • IPS PVC Push-On
250 PSI/17.2 bar non-shock cold working pressure

CERTIFIED LEAD-FREE* BY IAPMO R&T TO NSF/ANSI 372
END CONNECTION DESIGNED FOR USE WITH PVC ASTM D1785,
PVC AND/OR ASME B36.10 STEEL

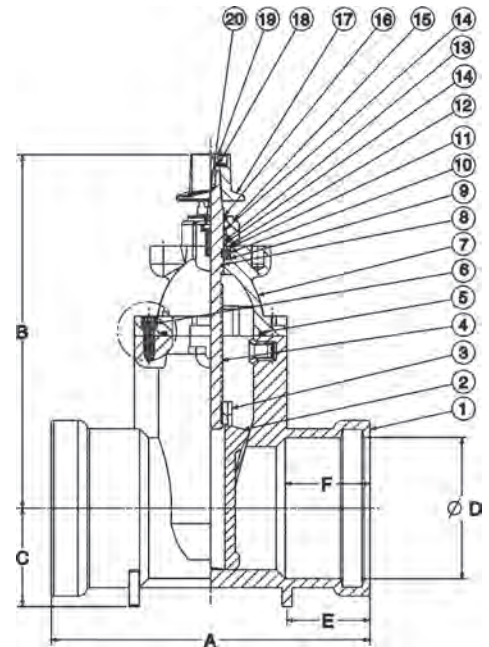


P-619-RW
IPS Push-On

MATERIAL LIST

PART	SPECIFICATION
1. Valve Body	Cast Iron ASTM A126-B
2. Resilient Wedge	Ductile Iron ASTM A536/EPDM ASTM D 2000
3. Wedge Nut	Bronze ASTM B584 UNS C83600 4" - 12" ASTM B584 UNS C92200 2" - 3"
4. Stem	Stainless Steel ASTM A 276 UNS S41000
5. Bonnet Gasket	EPDM ASTM D 2000
6. Bonnet Screw	18-8 Stainless Steel ASTM A193
7. Bonnet	Cast Iron ASTM A126-B
8. Stem Primary O-Ring	EPDM ASTM D 2000
9. Stem Thrust Washer (lower)	Nylon 1010
10. Stem Collar	Brass ASTM B 16 UNS C36000
11. Stem Thrust Washer (upper)	Stainless Steel ASTM A 276 UNS S41000
12. Gland Seal O-Ring	EPDM ASTM D 2000
13. Stem Seal Bushing	Nylon 1010
14. Stem Secondary O-Ring (2)	EPDM ASTM D 2000
15. Gland Flange	Ductile Iron ASTM A536
16. Stem Ring Wiper	EPDM ASTM D 2000
17. Square Operating Nut	Cast Iron ASTM A126-B
17A. Handwheel (Optional)	Ductile Iron ASTM A536
18. Operating Nut Washer	Carbon Steel Zinc Plated
19. Operating Nut Screw	Alloy Steel ASTM A 574M Zinc Plated
20. Gland Flange Screw	Alloy Steel ASTM A 574M Zinc Plated

Coating — Electrostatically applied fusion-bonded epoxy 8-20 mil. inside and outside.
Meets or exceeds performance requirements of AWWA C550.
Epoxy coating is not intended to serve as a dielectric barrier internal to the piping system.
Maximum operating temperature 160°F/71°C.



P-619-RW
IPS Push-On

DIMENSIONS — WEIGHTS — QUANTITIES

Size	Dimensions														Weight
	A		B		C		D		E		F		Handwheel (Opt.) Turns to Open		
In. mm.	In. mm.	In. mm.	In. mm.	In. mm.	In. mm.	In. mm.	In. mm.	In. mm.	In. mm.	In. mm.	In. mm.	In. mm.	In. mm.	Lbs. Kg.	
2	50 11.4	289 10.2	259 10.2	259 10.2	2.4 60	2.48 63	63 2.3	58 2.7	69 2.7	69 2.7	7.9 7.9	200 7.9	200 7.9	6.5 24	11 11
2½	65 11.4	289 11.3	288 11.3	288 11.3	2.6 67	2.99 76	76 2.3	58 2.7	69 2.7	69 2.7	7.9 7.9	200 7.9	200 7.9	8.8 32	15 15
3	80 11.3	287 12.7	322 12.7	322 12.7	3.1 80	3.62 92	92 2.2	56 3.0	75 3.0	75 3.0	10.2 10.2	250 10.2	250 10.2	10.6 40	18 18
4	100 11.7	298 13.4	341 13.4	341 13.4	3.5 90	4.65 118	118 2.5	63 3.5	89 3.5	89 3.5	10.2 10.2	260 10.2	260 10.2	12.8 56	25 25
6	150 15.3	388 17.0	431 17.0	431 17.0	4.7 120	6.77 172	172 4.0	101 4.1	103 4.1	103 4.1	14.8 14.8	375 14.8	375 14.8	15.6 106	48 48
8	200 16.5	418 20.4	518 20.4	518 20.4	5.9 150	8.74 222	222 3.0	77 4.5	115 4.5	115 4.5	14.8 14.8	375 14.8	375 14.8	17.3 172	78 78
10	250 21.2	539 23.8	604 23.8	604 23.8	7.1 180	10.94 278	278 3.7	93 5.2	132 5.2	132 5.2	15.7 15.7	400 15.7	400 15.7	21.3 307	140 140
12	300 26.5	672 27.0	685 27.0	685 27.0	8.1 206	12.89 327.5	327.5 4.1	103 5.5	139 5.5	139 5.5	19.7 19.7	500 19.7	500 19.7	25.3 447	203 203

FREEZING WEATHER PRECAUTION: Subsequent to testing a piping system, valves should be left in an open position to allow complete drainage.



WARNING: This product can expose you to chemicals including lead, which is known to the State of California to cause cancer and birth defects or other reproductive harm. For more information go to www.P65Warnings.ca.gov.

*Weighted average lead content ≤ 0.25%