

NIBCO® Press System Lead-Free Bronze Ball Valves

PATENT US
10,234,043

Features: Silicon Performance Bronze® Two-Piece Body • Copper Ends • Full Port • Blowout-Proof Stem • Stainless Trim

Approvals: MSS SP-110/145 • IAPMO/ANSI Z1157 • NSF/ANSI 61/372-8 Commercial Hot 180°F

Size range: ½" - 3"

Pressure rating: 250* PSI non-shock cold working pressure

Body design pressure: 600 PSI CWP

Maximum pressure / temperature: 225 PSI at 250° F*

Lead-free markings: Double oval in body casting, white handle and blue hang tag



MATERIAL LIST

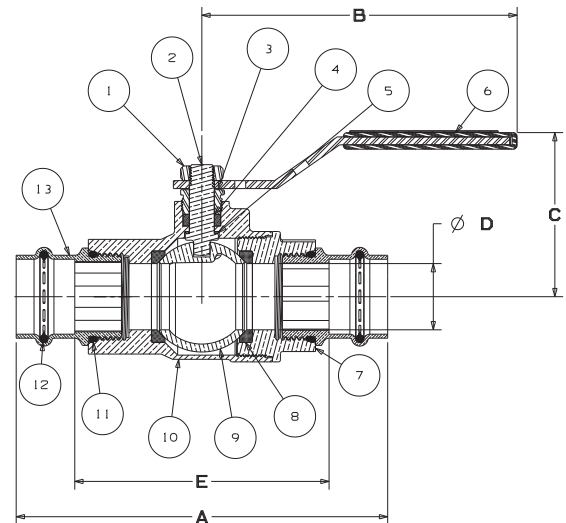
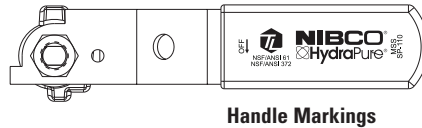
PART	SPECIFICATION
1. Handle Nut	Zinc Plated Steel
2. Stem	Stainless Steel ASTM A276 Type 316
3. Pack Gland	Brass ASTM B16 Alloy C36000
4. Packing, Stem	PTFE
5. Thrust Washer	Reinforced PTFE
6. Handle Assembly	Plated Steel with Plastisol Coating
7. Body End	Silicon Bronze ASTM B584 Alloy C87600
8. Seat Ring (2)	Reinforced PTFE
9. Ball (vented)	Stainless Steel ASTM A276 Type 316
10. Body	Silicon Bronze ASTM B584 Alloy C87600
11. Boss seal o-ring (2)	EPDM
12. O-Ring (2)	EPDM - Leak Detection
13. Press End Adapter (2)	Wrot Copper ASTM B75 Alloy C12200



PC-585-66-LF
Press x Press
Female End

Handle Options:

- Stainless Steel Lever
- NIB-Seal®
- NIB-Seal® Locking Lever
- Locking Lever
- Stainless Steel Locking Lever
- Memory Stop
- Extended Lever w/ Memory Stop
- Round
- Wing
- Horizontal and Vertical Chain



PC-585-66-LF
P x P

DIMENSIONS—WEIGHTS—QUANTITIES

SIZE		A		B		C		D		E		Weight	
In.	mm.	In.	mm.	In.	mm.	In.	mm.	In.	mm.	In.	mm.	Lbs.	Kg.
1/2	15	3.93	100	3.96	101	1.96	50	0.50	13	2.53	64	0.80	0.36
3/4	20	5.00	127	4.76	121	2.28	58	0.75	19	3.23	82	1.56	0.71
1	25	5.61	142	4.76	121	2.48	63	1.00	25	3.84	98	2.13	1.00
1-1/4	32	6.23	158	6.76	172	3.10	79	1.25	32	4.21	107	3.73	1.69
1-1/2	40	7.56	192	6.76	172	3.32	84	1.50	38	4.79	122	5.53	2.51
2	50	8.40	213	6.76	172	3.56	90	2.00	51	5.36	136	7.95	3.61
2-1/2	65	9.49	241	8.06	205	4.33	110	2.50	64	6.55	166	16.20	7.35
3	76	10.45	265	8.06	205	4.58	116	2.95	75	7.13	181	16.50	7.48

*200 PSI CWP and 200 PSI at 200°F for 2½" and above

NIBCO Press System ball valves are designed to meet MSS SP-110 with the exception of the end connection. Ball valves are down-rated from 600 PSI CWP to 250 PSI CWP to match the Press System. Male and female press-to-connect ends are new technology not yet covered in the current edition of this specification

WARNING: This product can expose you to chemicals including lead, which is known to the State of California to cause cancer and birth defects or other reproductive harm. For more information go to www.P65Warnings.ca.gov.

LEAD-FREE: Weighted average lead content ≤ 0.25%