

# NIBCO® Press System Bronze Ball Valves

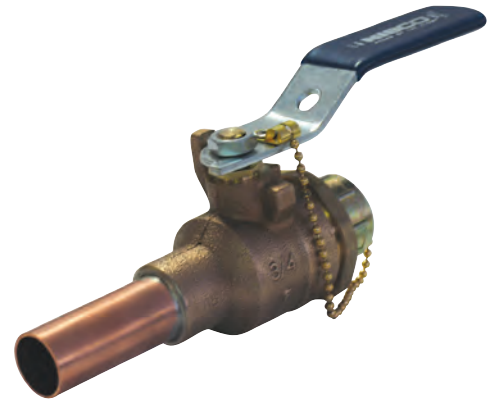
Two-Piece Body • Full Port • Bronze Trim • 3/4" Hose Connection with Cap and Chain • Blowout-Proof Stem

**600 psi/41.4 bar non-shock cold working pressure**  
**250°F maximum operating temperature**

CONFORMS TO MSS SP-110

## MATERIAL LIST

PART	SPECIFICATION
1. Handle Nut	Zinc Plated Steel
2. Handle	Zinc Plated Steel
3. Pack Gland	Brass ASTM B 16 Alloy C36000
4. Packing	PTFE
5. Thrust Washer	RPTFE
6. Stem	Silicon Bronze ASTM B 371 Alloy C69430
7. Ball	Brass ASTM B 16 Alloy C36000 or ASTM B 124 Alloy C37700 (Chrome/Nickle Plated)
8. Seat Rings	Reinforced PTFE
9. Body Assembly	Bronze ASTM B 584 Alloy C84400
10. Hose Body End	Brass ASTM B 124 Alloy C37700
11. Cap	Die Cast Brass
12. Gasket	Rubber
13. Chain	Brass
14. Stub Out	Type "L" Copper Tube



**PS-585-70-HC**  
Press Male x Hose End

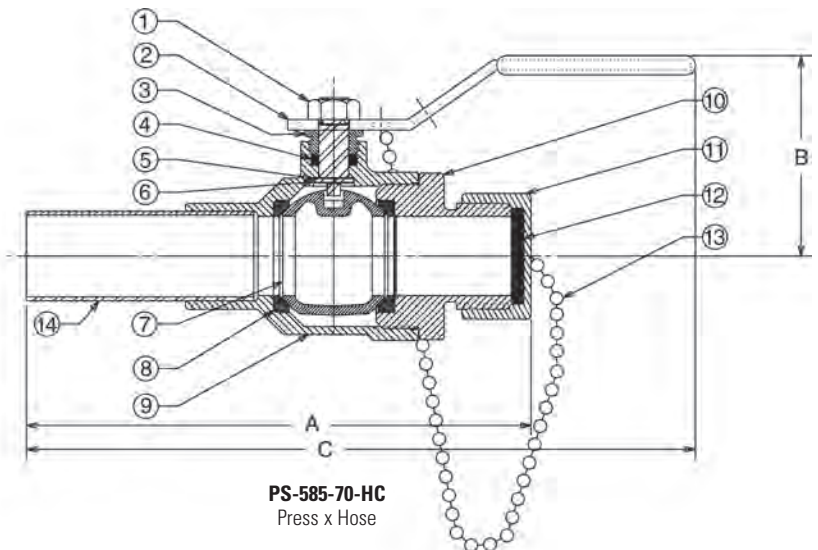
Cap is for hose end thread protection only. Not to be used for pressure containing purposes.

## DIMENSIONS—WEIGHTS

Size		Dimensions						Weight		
In.	mm.	A	B	C	In.	mm.	In.	mm.	Lbs.	Kg.
1/2	15	4.90	124	1.88	48	7.19	183	.81	.37	
3/4	20	5.47	139	2.25	57	8.25	210	1.54	.70	

NIBCO Press System ball valves are designed to meet MSS SP-110 with the exception of the end connection. Ball valves are down-rated from 600 psi CWP to 200 psi CWP to match the NIBCO Press System. Male and female press-to-connect ends are new technology not yet covered in the current edition of this specification.

**WARNING:** This product can expose you to chemicals including lead, which is known to the State of California to cause cancer and birth defects or other reproductive harm. For more information go to [www.P65Warnings.ca.gov](http://www.P65Warnings.ca.gov).



**PS-585-70-HC**  
Press x Hose

Visit our website for the most current information.