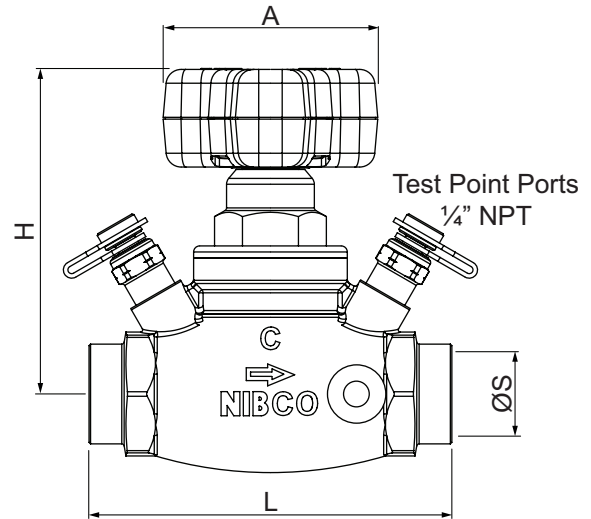


# S-1710 DZR Brass Variable Orifice Balancing Valve

## Solder Ends ASME B16.22 - 1/2" to 2"

Dezincification  
Resistant

DIMENSIONS - In.						
Size	Cv - Full Open	L	H	A	S - Internal Bore Diameter	Weight Lbs.
1/2"	4.3	3.94	3.82	2.80	0.627 - 0.631	1.7
3/4"	8.1	3.94	3.82	2.80	0.877 - 0.881	2.0
1"	13.4	4.72	4.21	2.80	1.128 - 1.131	3.1
1 1/4"	24.0	5.59	4.41	2.80	1.378 - 1.381	4.2
1 1/2"	29.1	5.91	4.41	2.80	1.628 - 1.632	5.1
2"	43.3	6.61	5.35	2.80	2.128 - 2.132	8.0



**240 PSI Non-Shock Cold Working Pressure**  
**Maximum Temperature 250°F at 240 PSI**

**Flow Measurement Accuracy - Full Open ±5%**  
**- 25% Open ±10%**

### Accessories



PT Test Point Extension

MATERIAL LIST	
PART	SPECIFICATION
Body	Brass - UNS C35330 (DZR)
Body/Bonnet O-ring	EPDM
Retaining Clip	Steel
O-ring	EPDM
Adjustable Stop	Brass - ASTM B124 C37700
Stem	Brass - ASTM B124 C37700
Bonnet	Brass - UNS C35330 (DZR)
*Cone Retaining Nut	Stainless Steel
Disc O-ring	EPDM
Balancing Cone	Noryl GFN3V
Disc	Brass - UNS C35330 (DZR)
Handwheel	PA6 GF30
Test Point (2)	Brass - UNS C35330 (DZR)

\*Sizes 1", 1 1/4", 1 1/2" & 2"

RECOMMENDED FLOW RANGE		
Size - In.	Flow Range - gpm	
	Min	Max
1/2"	1.5	4.8
3/4"	3.0	8.7
1"	5.0	14
1 1/4"	8.0	24
1 1/2"	11	32
2"	16	52

Project: \_\_\_\_\_

Contractor: \_\_\_\_\_

PO/Job No.: \_\_\_\_\_

Engineer: \_\_\_\_\_

Representative: \_\_\_\_\_

Date: \_\_\_\_\_