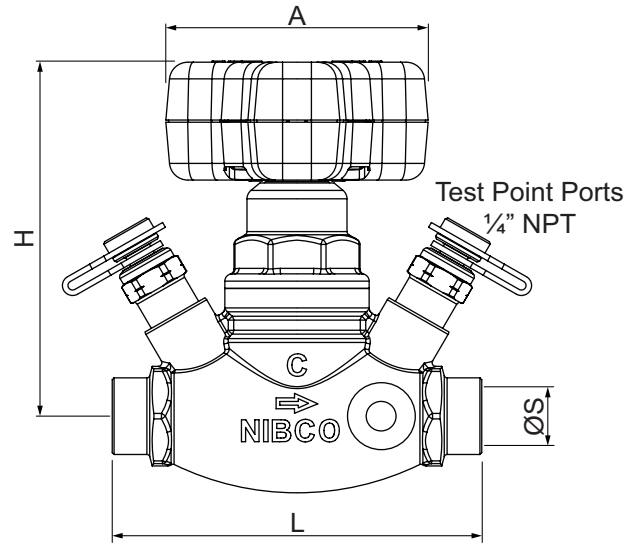


S-1710L DZR Brass Variable Orifice Balancing Valve

Solder Ends ASME B16.22 - 1/2"

Dezincification
Resistant

DIMENSIONS - In.						
Size	Cv - Full Open	L	H	A	S - Internal Bore Diameter	Weight Lbs.
1/2"L	1.3	3.94	3.82	2.80	0.627 - 0.631	1.7



MATERIAL LIST	
PART	SPECIFICATION
Body	Brass - UNS C35330 (DZR)
Body/Bonnet O-ring	EPDM
Retaining Clip	Steel
O-ring	EPDM
Adjustable Stop	Brass - ASTM B124 C37700
Stem	Brass - ASTM B124 C37700
Bonnet	Brass - UNS C35330 (DZR)
Disc/Shaft	Brass - UNS C35330 (DZR)
Disc O-ring	EPDM
Disc Ring	Brass - ASTM B124 C37700
Handwheel	PA6 GF30
Test Point (2)	Brass - UNS C35330 (DZR)

240 PSI Non-Shock Cold Working Pressure
Maximum Temperature 250°F at 240 PSI

Flow Measurement Accuracy - Full Open ±5%
- 25% Open ±10%

Accessories



PT Test Point Extension

RECOMMENDED FLOW RANGE		
Size - In.	Flow Range - gpm	
	Min	Max
1/2"L	0.47	1.6

Project: _____

Contractor: _____

PO/Job No.: _____

Engineer: _____

Representative: _____

Date: _____